



US00D892112S

(12) **United States Design Patent** (10) **Patent No.:** **US D892,112 S**
Tu (45) **Date of Patent:** **** Aug. 4, 2020**

- (54) **LAPTOP COMPUTER**
- (71) Applicant: **Quanta Computer Inc.**, Taoyuan (TW)
- (72) Inventor: **Chia-Ying Tu**, Taoyuan (TW)
- (73) Assignee: **QUANTA COMPUTER INC.**,
Guishan Dist., Taoyuan (TW)
- (**) Term: **15 Years**
- (21) Appl. No.: **29/645,563**
- (22) Filed: **Apr. 27, 2018**
- (30) **Foreign Application Priority Data**

Mar. 2, 2018 (TW) 107301240 A

- (51) **LOC (12) Cl.** **14-02**
- (52) **U.S. Cl.**
USPC **D14/327; D14/317**
- (58) **Field of Classification Search**
USPC D14/315-328, 331, 334-335, 339-340;
D18/1-2, 7, 11, 12.2-12.3
CPC G06F 1/166; G06F 1/1613; G06F 1/1616;
G06F 1/1618; G06F 1/162; G06F 1/1622;
G06F 1/1624; G06F 1/1633; G06F
1/1615; G06F 1/1643; G06F 1/1654;
G06F 1/1656; G06F 1/1669; G06F 1/203;
G06F 1/1688; G06F 1/1601; G06F
1/1637; G06F 1/181; G06F 1/1686; H05K
5/0047; H05K 5/0052
See application file for complete search history.

(56) **References Cited**
U.S. PATENT DOCUMENTS

D705,773 S *	5/2014	Tian	D14/316
D716,793 S *	11/2014	Lee	D14/315
D729,792 S *	5/2015	Kurimoto	D14/315
D755,781 S *	5/2016	Schoenith	D14/315
D761,249 S *	7/2016	Liang	D14/315
D791,120 S	7/2017	Leonard et al.		
D802,584 S *	11/2017	Kong	D14/315
D806,699 S *	1/2018	Schoenith	D14/315

D808,951 S	1/2018	Jung et al.		
D826,226 S *	8/2018	Schoenith	D14/315
D842,856 S *	3/2019	Lam	D14/345

(Continued)

FOREIGN PATENT DOCUMENTS

JP 2014006451 A 1/2014

OTHER PUBLICATIONS

Bajaj Karan, HP Envy x360 review, posted at Economic Times, posting date Jan. 2, 2019. Site visited Mar. 25, 2020. URL: <<https://economictimes.indiatimes.com/magazines/panache/hp-envy-x360-review-ideal-for-those-who-want-a-lightweight-compact-convertible-laptop/articleshow/67343945.cms?from=mdr>> (Year: 2019).*

(Continued)

Primary Examiner — Kevin K Rudzinski
Assistant Examiner — Kathleen L Jones
(74) *Attorney, Agent, or Firm* — McClure, Qualey & Rodack, LLP

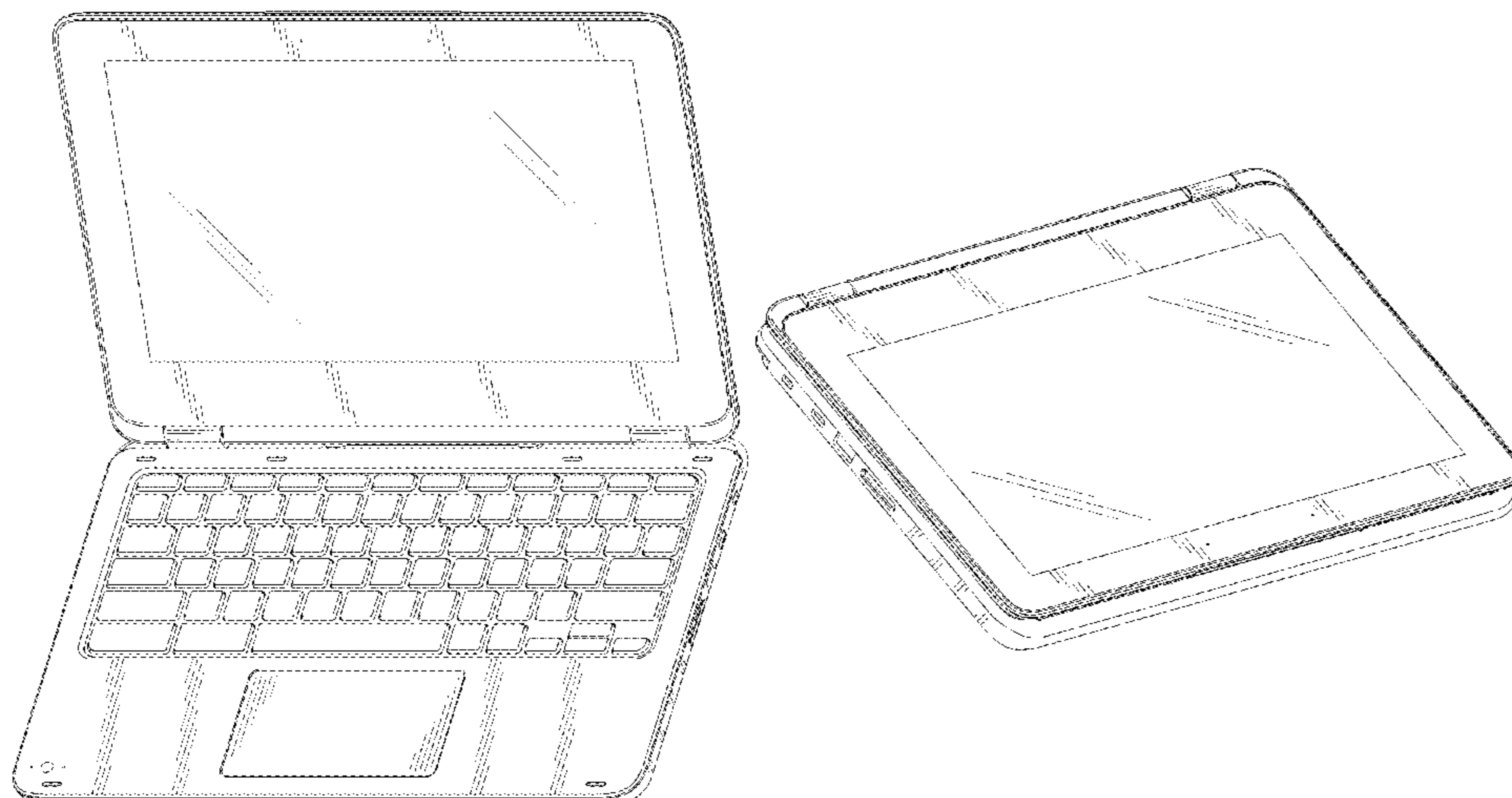
(57) **CLAIM**

The ornamental design for a laptop computer, as shown and described.

DESCRIPTION

FIG. 1 is a front perspective view of a laptop computer showing our new and ornamental design;
FIG. 2 is a front view thereof;
FIG. 3 is a rear view thereof;
FIG. 4 is a left side view thereof;
FIG. 5 is a right side view thereof;
FIG. 6 is a top plan view thereof;
FIG. 7 is a bottom plan view thereof;
FIG. 8 is a rear perspective view thereof;
FIG. 9 is a perspective view showing the laptop computer in a folded state; and,
FIG. 10 is another perspective view thereof.

1 Claim, 10 Drawing Sheets



(56)

References Cited

U.S. PATENT DOCUMENTS

D851,084 S * 6/2019 Yuan D14/315
D864,948 S * 10/2019 Yoshida D14/327
2015/0007416 A1* 1/2015 Chen G06F 1/1618
16/386
2015/0062793 A1* 3/2015 Chen G06F 1/1681
361/679.12
2016/0139636 A1* 5/2016 Saito G06F 1/1656
361/679.27
2018/0253124 A1* 9/2018 David G06F 1/1666
2018/0341288 A1* 11/2018 Senatori G06F 1/16
2019/0237848 A1* 8/2019 Ramasamy G06F 1/1677

OTHER PUBLICATIONS

Hollister, Sean, Lenovo's modified notebook PC "IdeaPad Yoga", posted at Gigazine, posting date Oct. 10, 2012. Site visited Mar. 25, 2020. URL: <https://gigazine.net/gsc_news/en/20121010-lenovo-ideapad-yoga/> (Year: 2012).*

Carman, Ashley, Porsche Design's new laptop is like a Surface Book that can rotate 360 degrees, posted at The Verge, posting date Feb. 27, 2017. Site visited Mar. 25, 2020. URL: <<https://www.theverge.com/circuitbreaker/2017/2/27/14754142/porsche-design-book-one-release-mwc-2017>> (Year: 2017).*

Japanese language Office Action dated Jan. 31, 2019, issued in application No. JP 2018-009870.

Japanese Decision of Refusal dated Jun. 24, 2019 for Application # D2018-009870 in Japan, pp. 1-12.

Japanese language office action dated Aug. 8, 2018, issued in application No. JP 2018-009870.

* cited by examiner

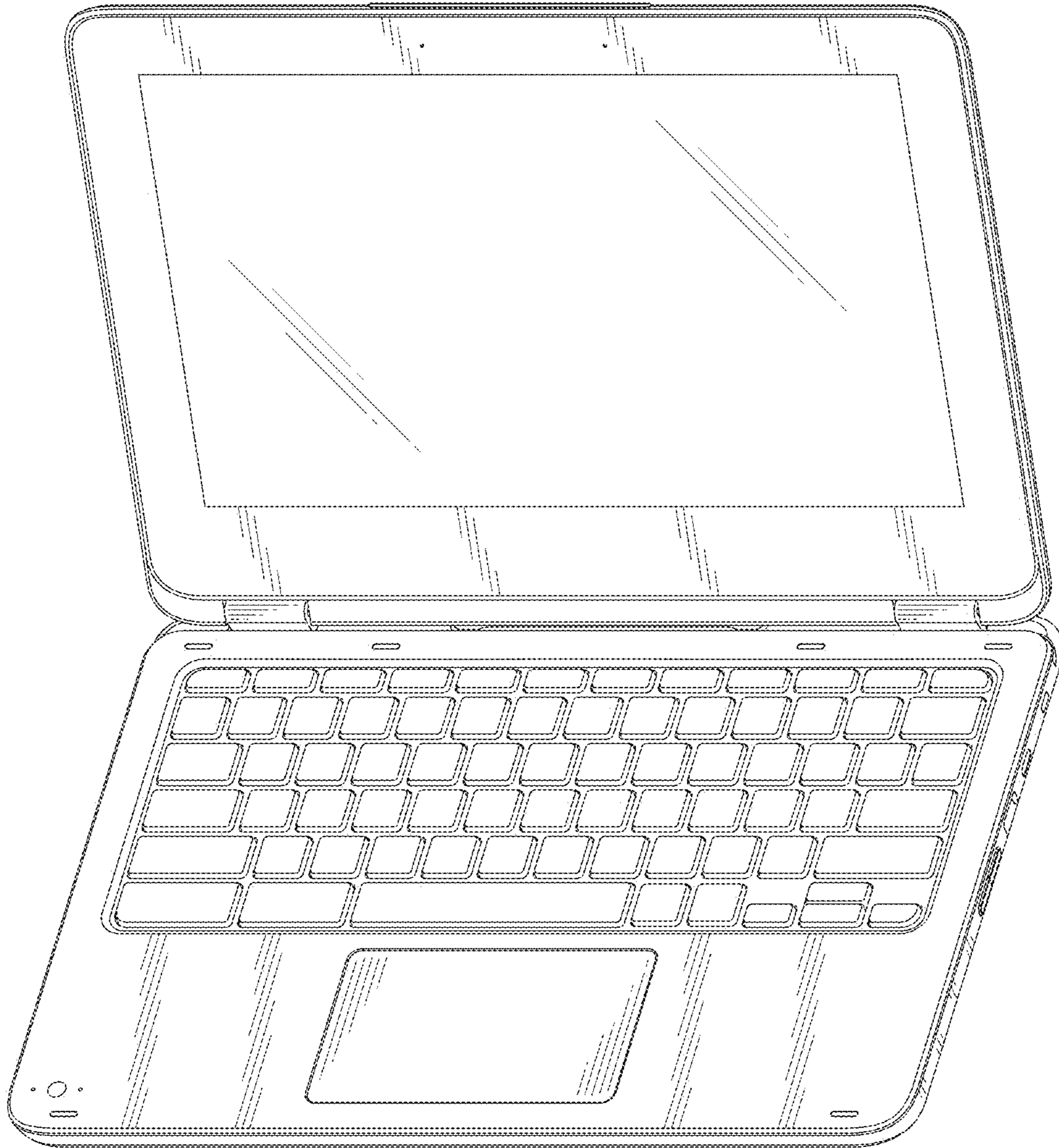


FIG. 1

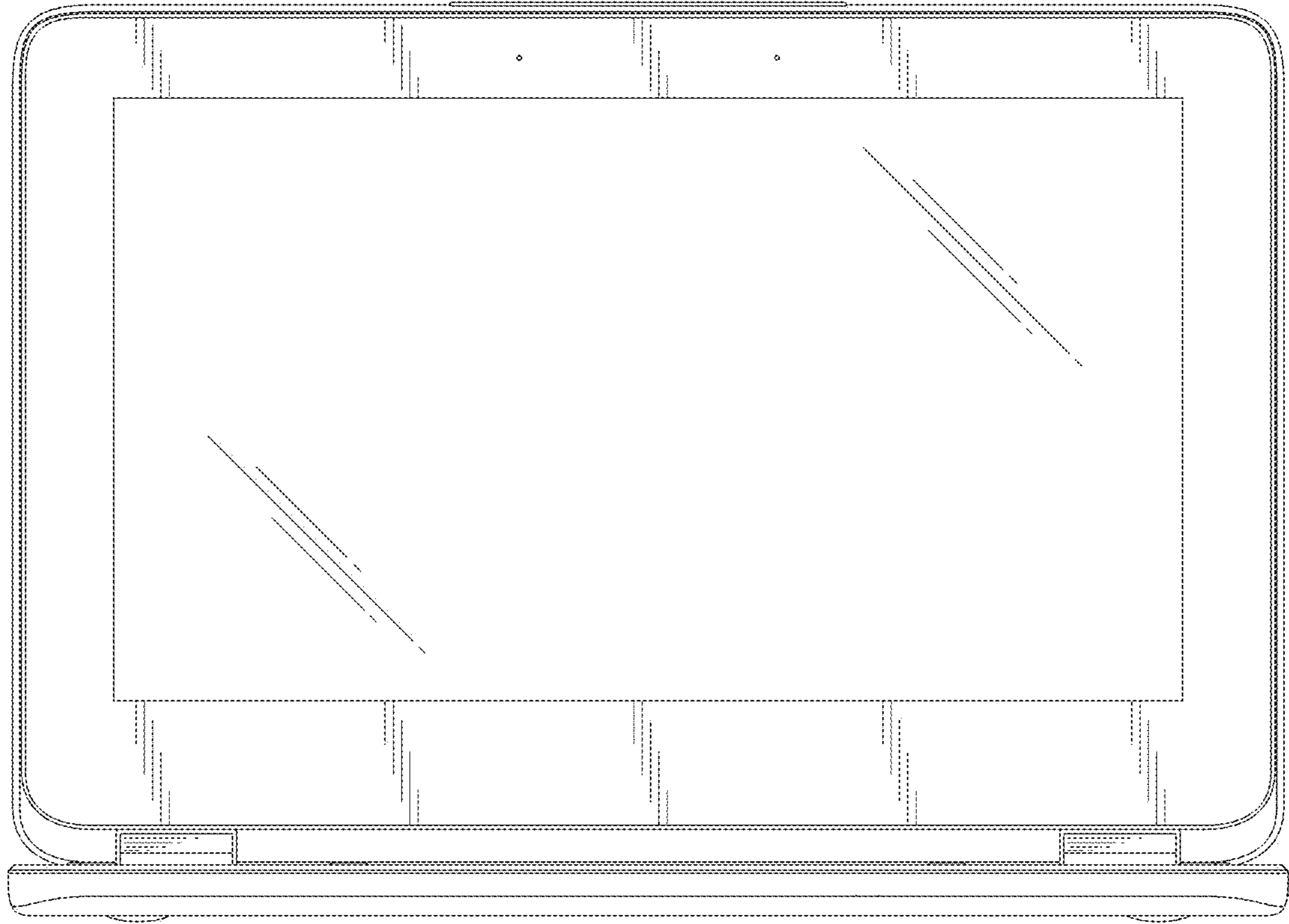


FIG. 2

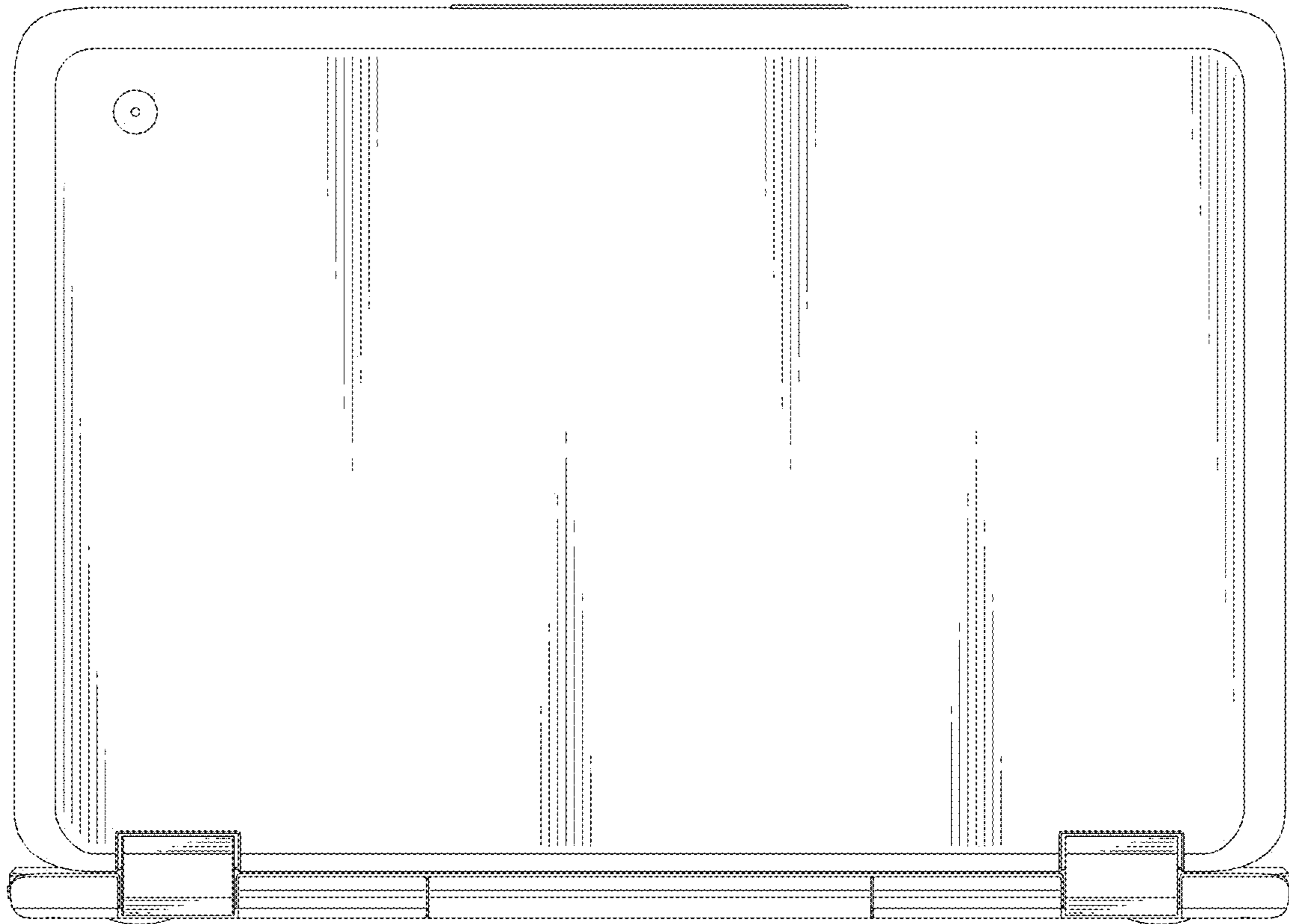


FIG. 3

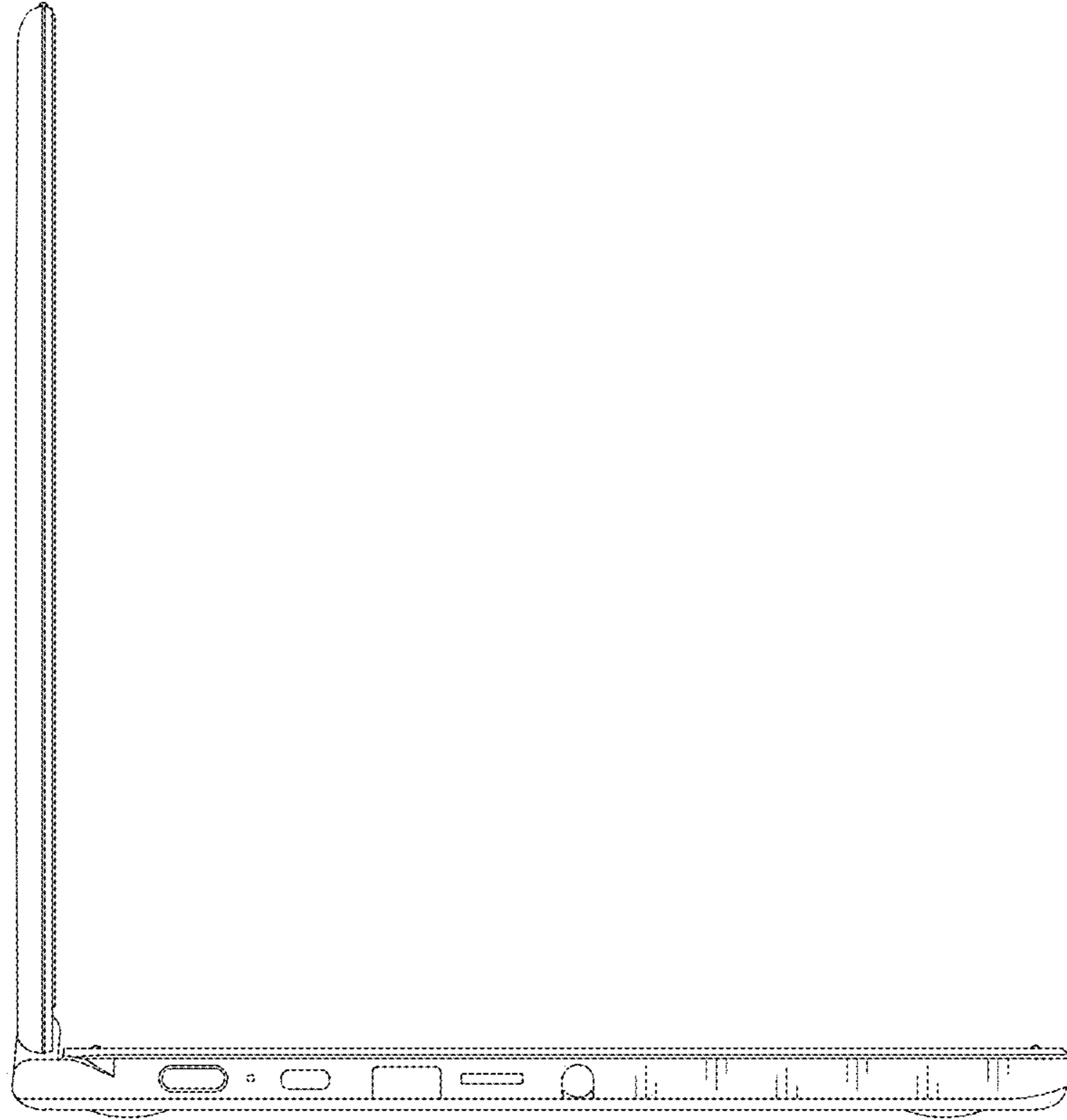


FIG. 4

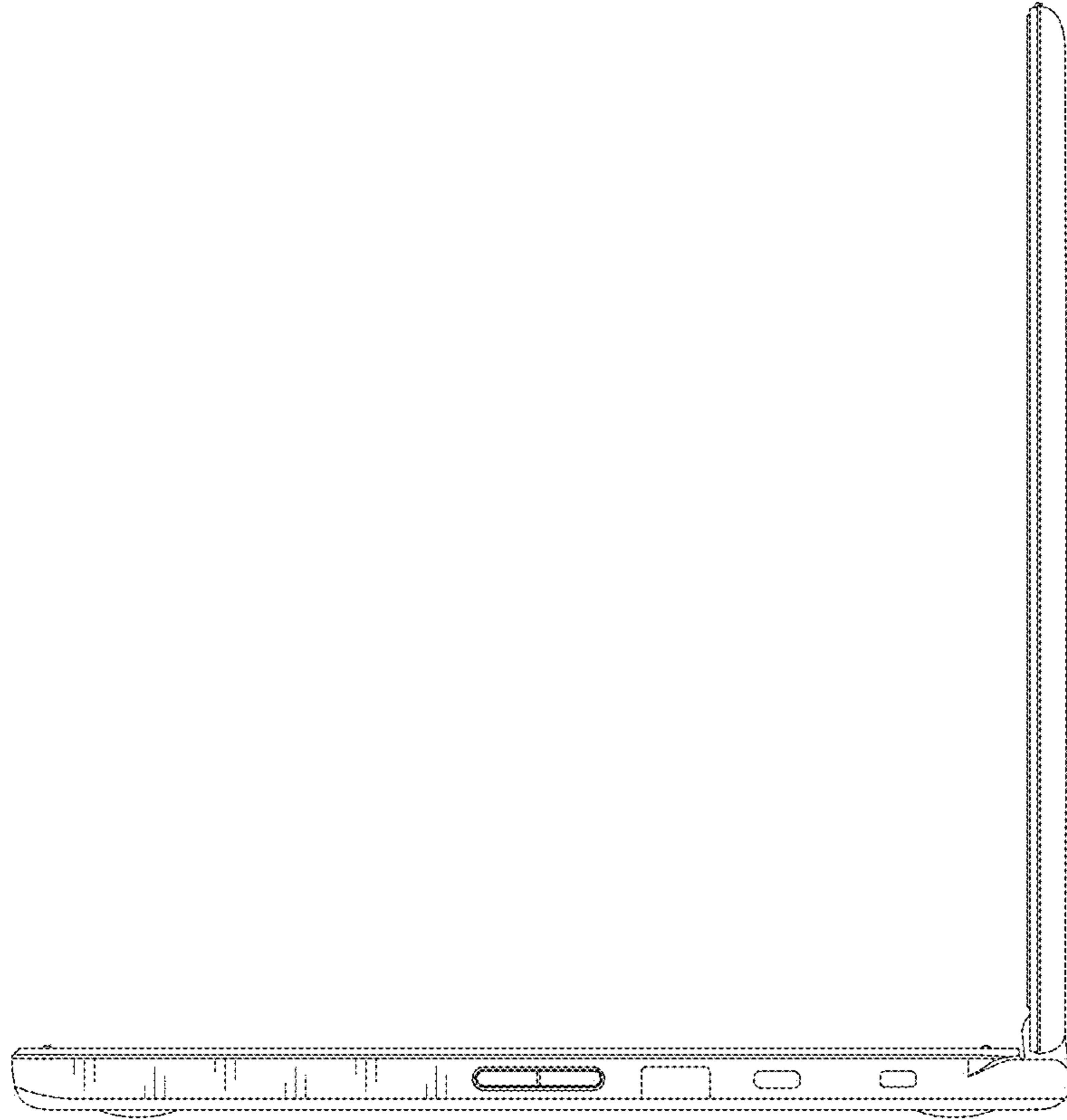


FIG. 5

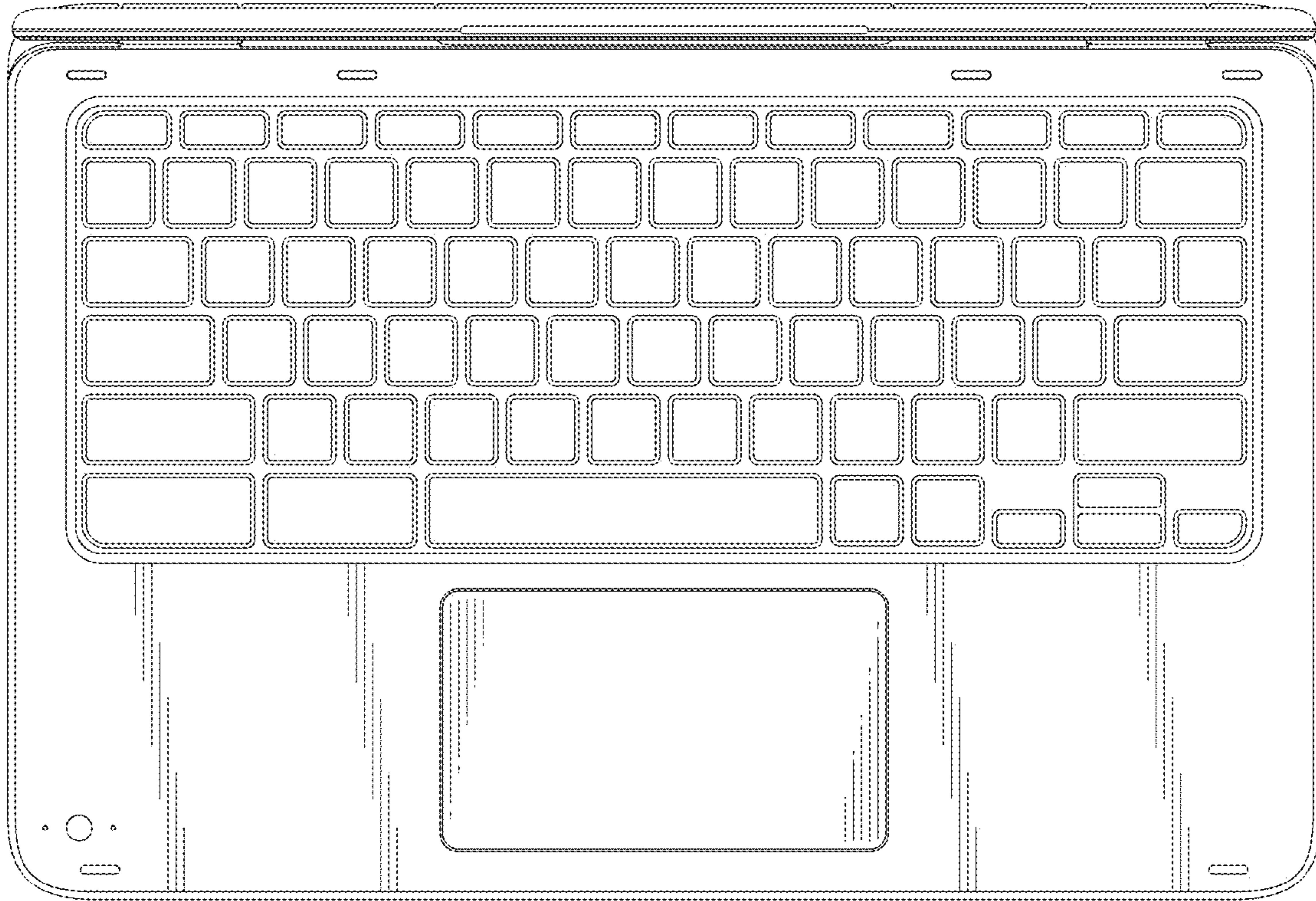


FIG. 6

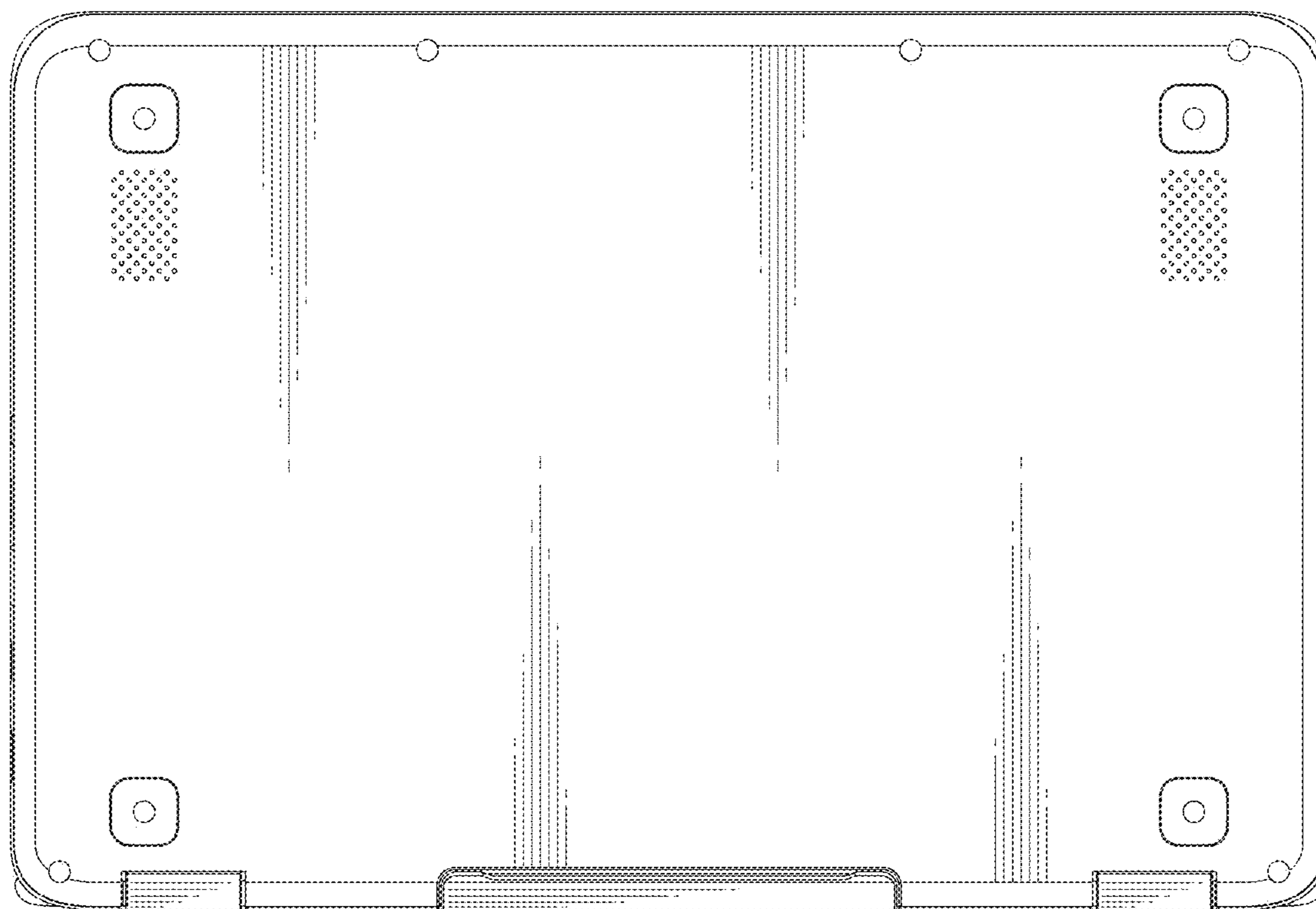


FIG. 7

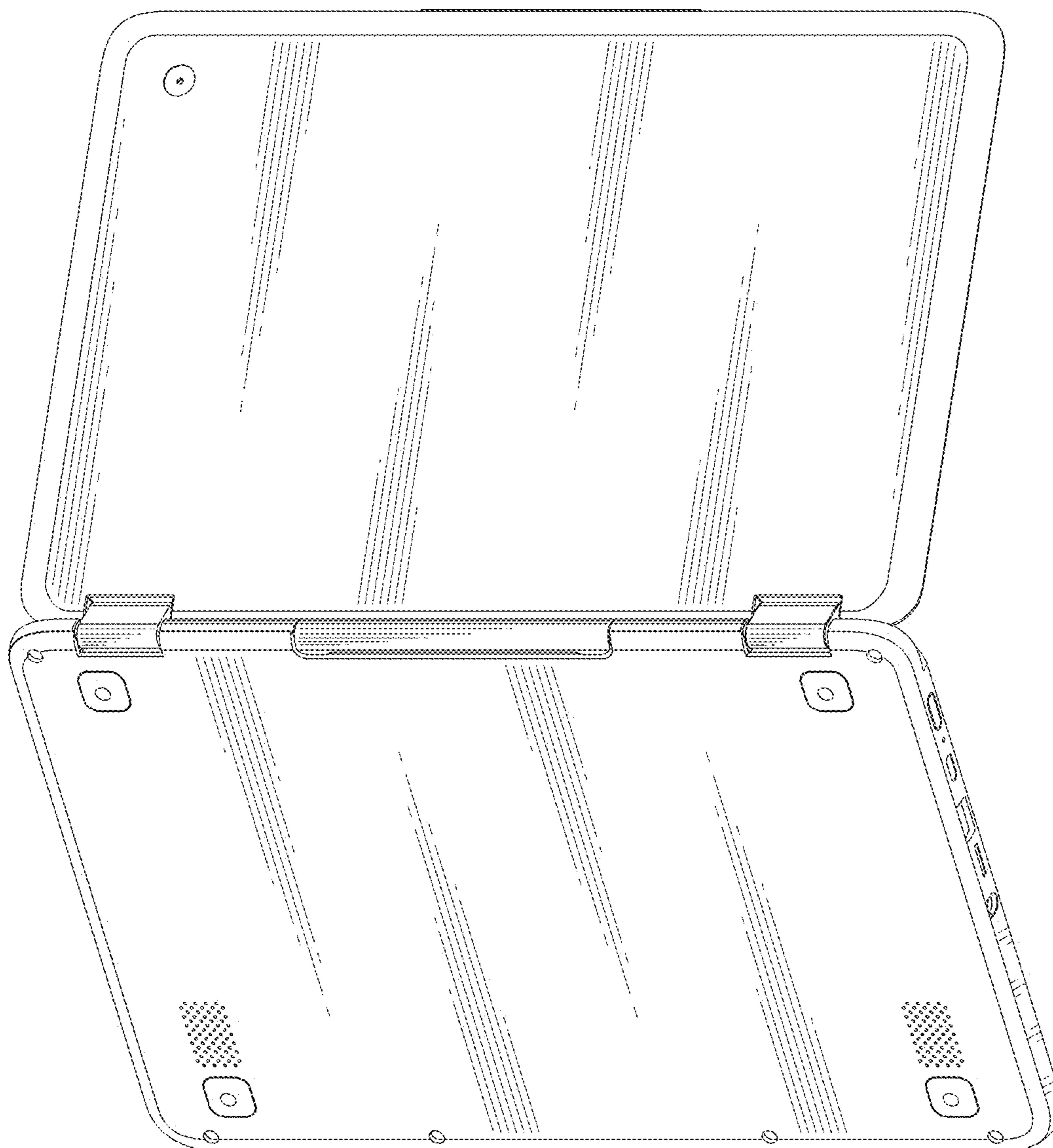


FIG. 8

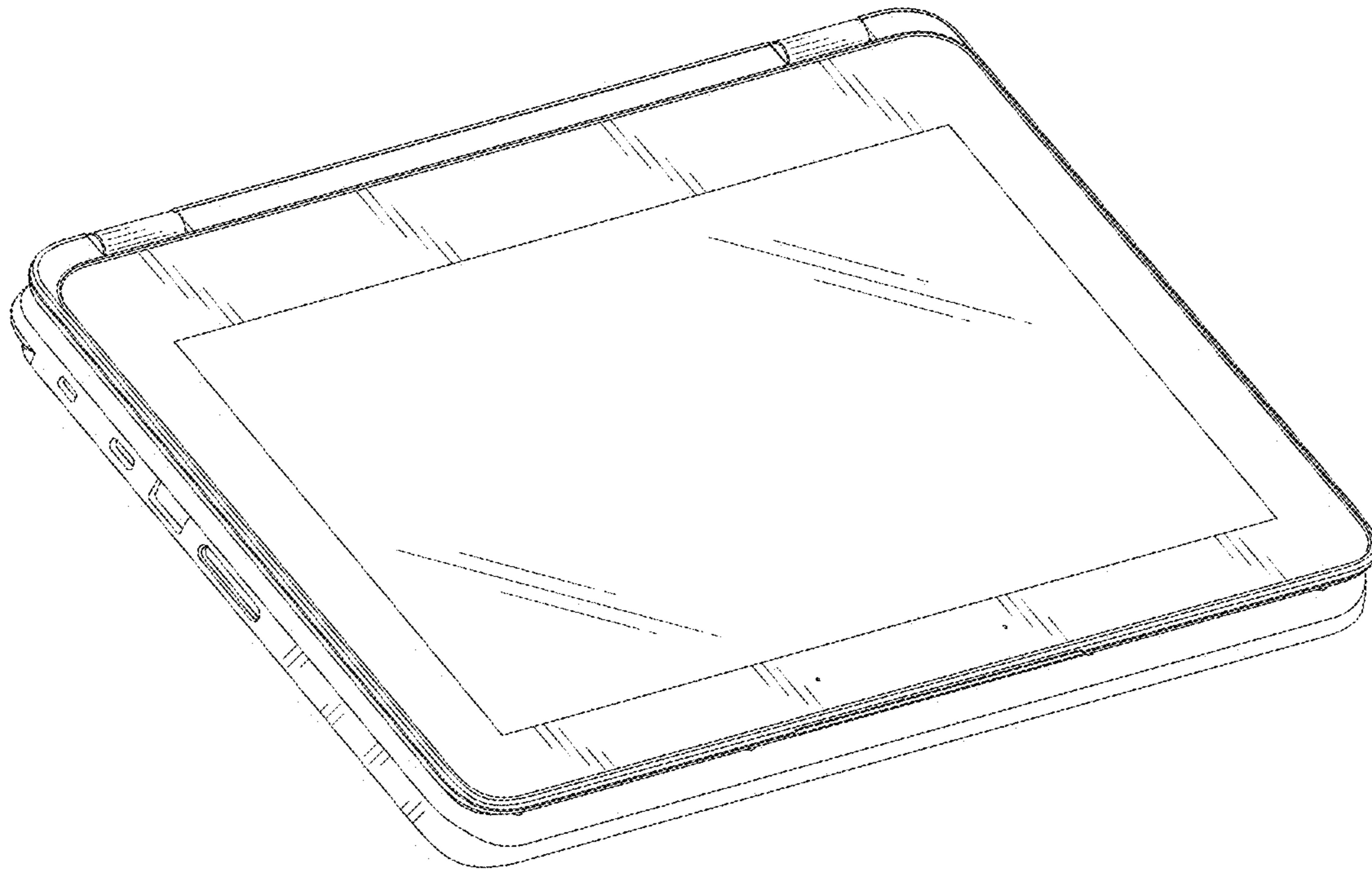


FIG. 9

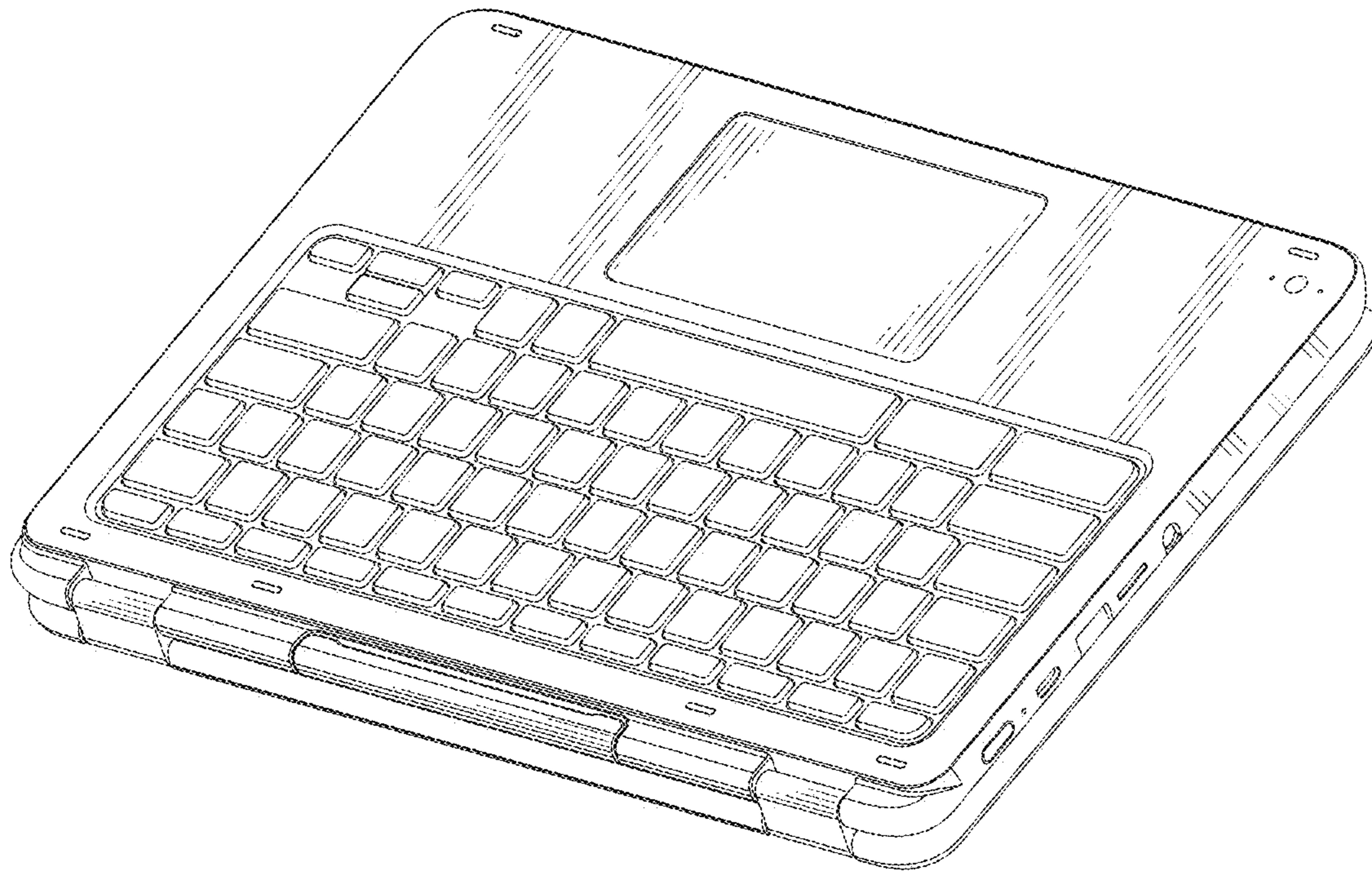


FIG. 10