



US00D892110S

(12) **United States Design Patent**
Birgeoglu

(10) **Patent No.:** **US D892,110 S**

(45) **Date of Patent:** **** Aug. 4, 2020**

(54) **KIOSK SYSTEM**

(71) Applicant: **Zivelo Inc.**, Scottsdale, AZ (US)

(72) Inventor: **Zubair Birgeoglu**, Scottsdale, AZ (US)

(73) Assignee: **Zivelo, Inc.**, Scottsdale, AZ (US)

(**) Term: **15 Years**

(21) Appl. No.: **29/703,467**

(22) Filed: **Aug. 27, 2019**

Related U.S. Application Data

(60) Division of application No. 29/593,706, filed on Feb. 10, 2017, now Pat. No. Des. 857,689, which is a continuation of application No. 29/513,996, filed on Jan. 7, 2015, now Pat. No. Des. 780,744, which is a division of application No. 29/414,671, filed on Mar. 1, 2012, now Pat. No. Des. 721,695.

(51) **LOC (12) Cl.** **14-02**

(52) **U.S. Cl.**
USPC **D14/307**

(58) **Field of Classification Search**
USPC D14/302-307, 900-902; D13/163;
D20/10; D21/332, 325, 369, 370;
D99/28; D6/397, 466; 194/206;
361/679.01, 679.02, 679.04, 679.21,
361/679.57, 725
CPC G06Q 20/18; G06Q 20/10; G06Q 20/123;
G06Q 20/20; G06Q 30/02; G06Q 30/06;
A47F 9/047

See application file for complete search history.

(56) **References Cited**

U.S. PATENT DOCUMENTS

D782,466 S *	3/2017	Yopez	D14/307
D806,698 S *	1/2018	Thompson	D14/307
D816,077 S *	4/2018	Benic	D14/307
D831,639 S *	10/2018	Terry	D14/307
D857,007 S *	8/2019	Pitallano	D14/307
D864,193 S *	10/2019	Oosawa	D14/307
D877,105 S *	3/2020	Saito	D14/126
D879,059 S *	3/2020	Saito	D14/126

* cited by examiner

Primary Examiner — Austin Murphy

(74) *Attorney, Agent, or Firm* — Greenberg Traurig LLP

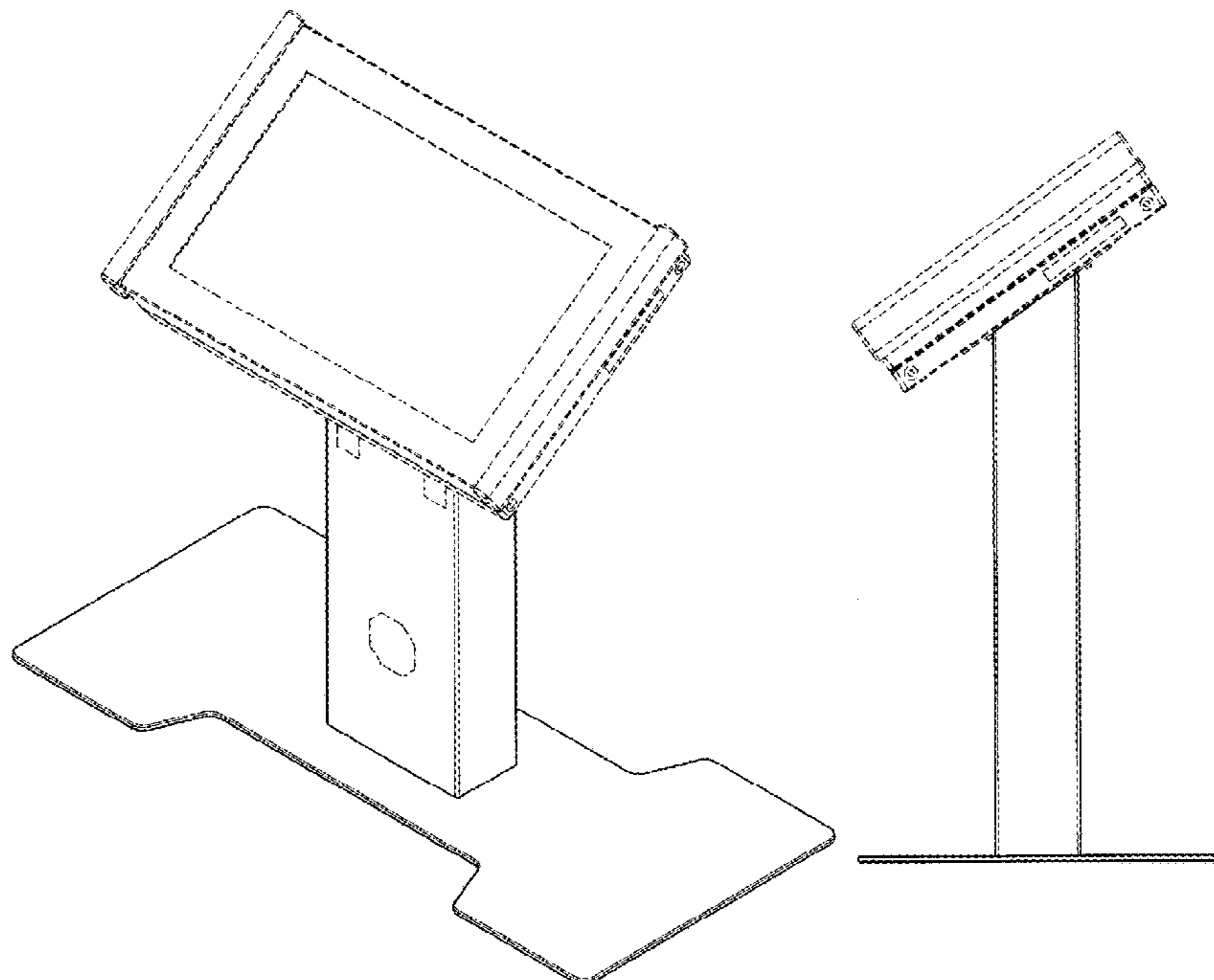
(57) **CLAIM**

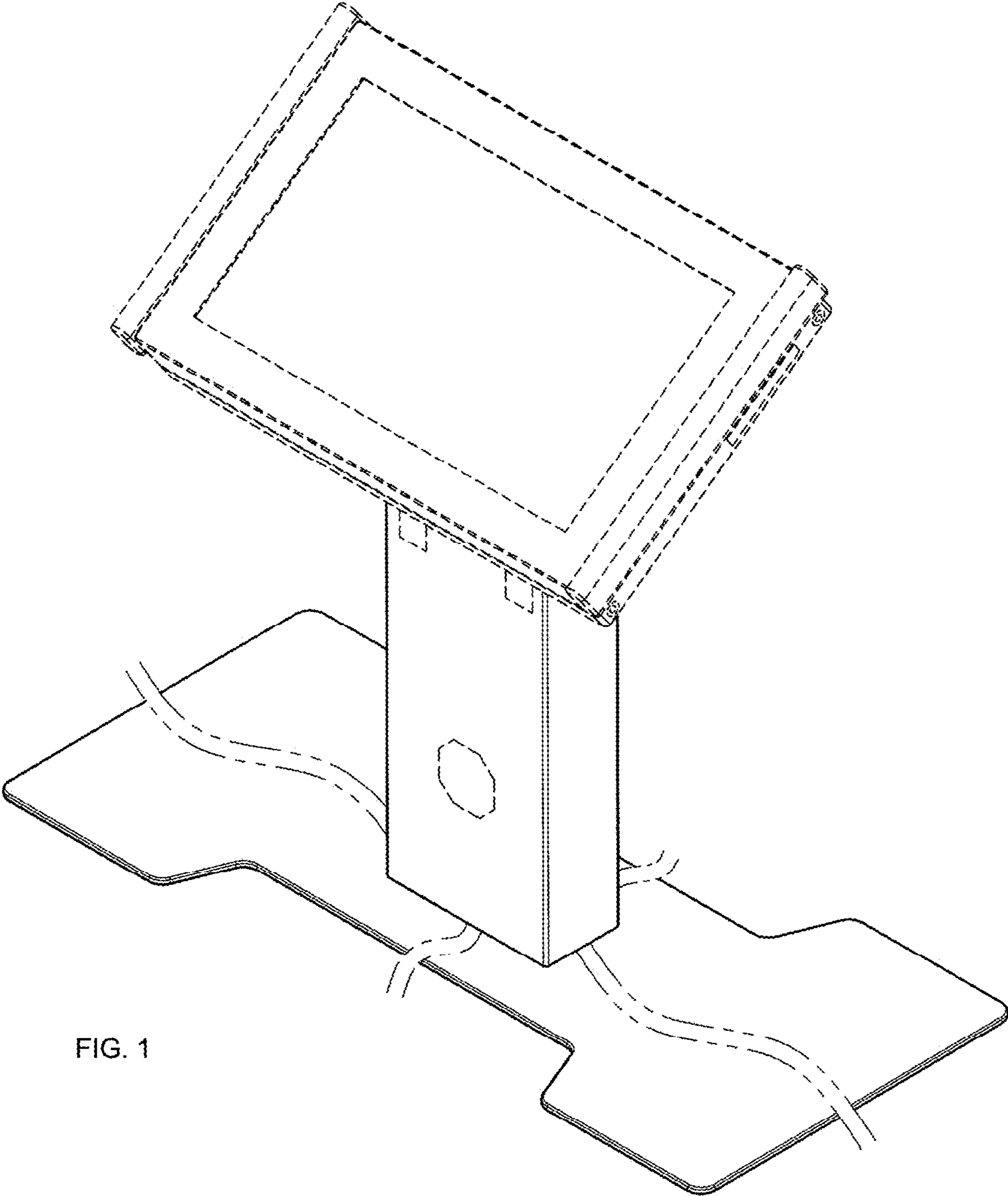
The ornamental design for a kiosk system, as shown and described.

DESCRIPTION

FIG. 1 is a top, front, and right side perspective of an embodiment of a kiosk system embodying my new design. FIG. 2 is a front view of the embodiment of FIG. 1. FIG. 3 is a back view of the embodiment of FIG. 1. FIG. 4 is a right side view of the embodiment of FIG. 1. FIG. 5 is a left side view of the embodiment of FIG. 1. FIG. 6 is a bottom view of the embodiment of FIG. 1. FIG. 7 is a top view of the embodiment of FIG. 1. FIG. 8 is a top, front, and right side perspective of another embodiment of a kiosk system embodying my new design. FIG. 9 is a front view of the embodiment of FIG. 8. FIG. 10 is a back view of the embodiment of FIG. 8. FIG. 11 is a right side view of the embodiment of FIG. 8. FIG. 12 is a left side view of the embodiment of FIG. 8. FIG. 13 is a bottom view of the embodiment of FIG. 8; and, FIG. 14 is a top view of the embodiment of FIG. 8.

1 Claim, 12 Drawing Sheets





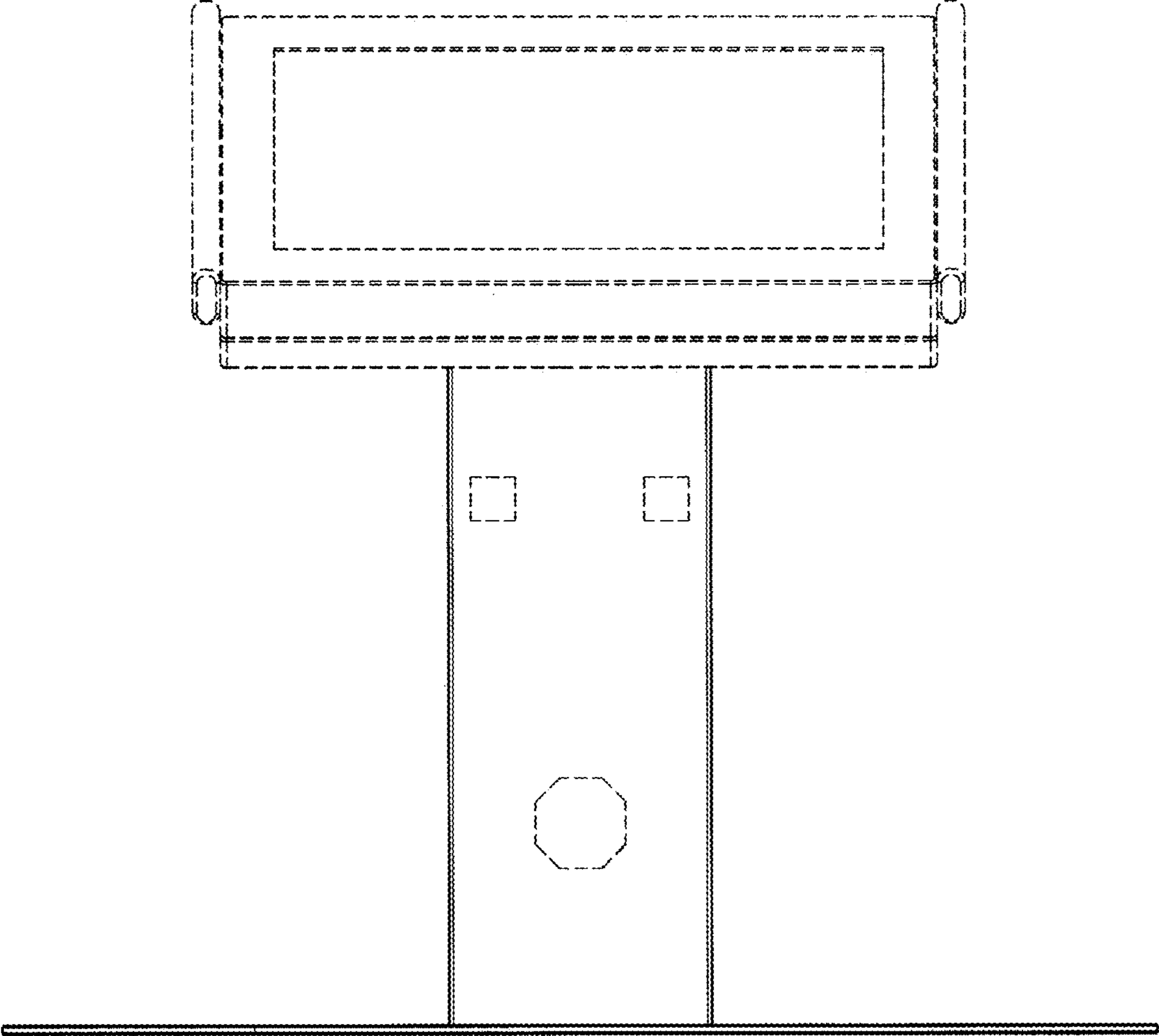


FIG. 2

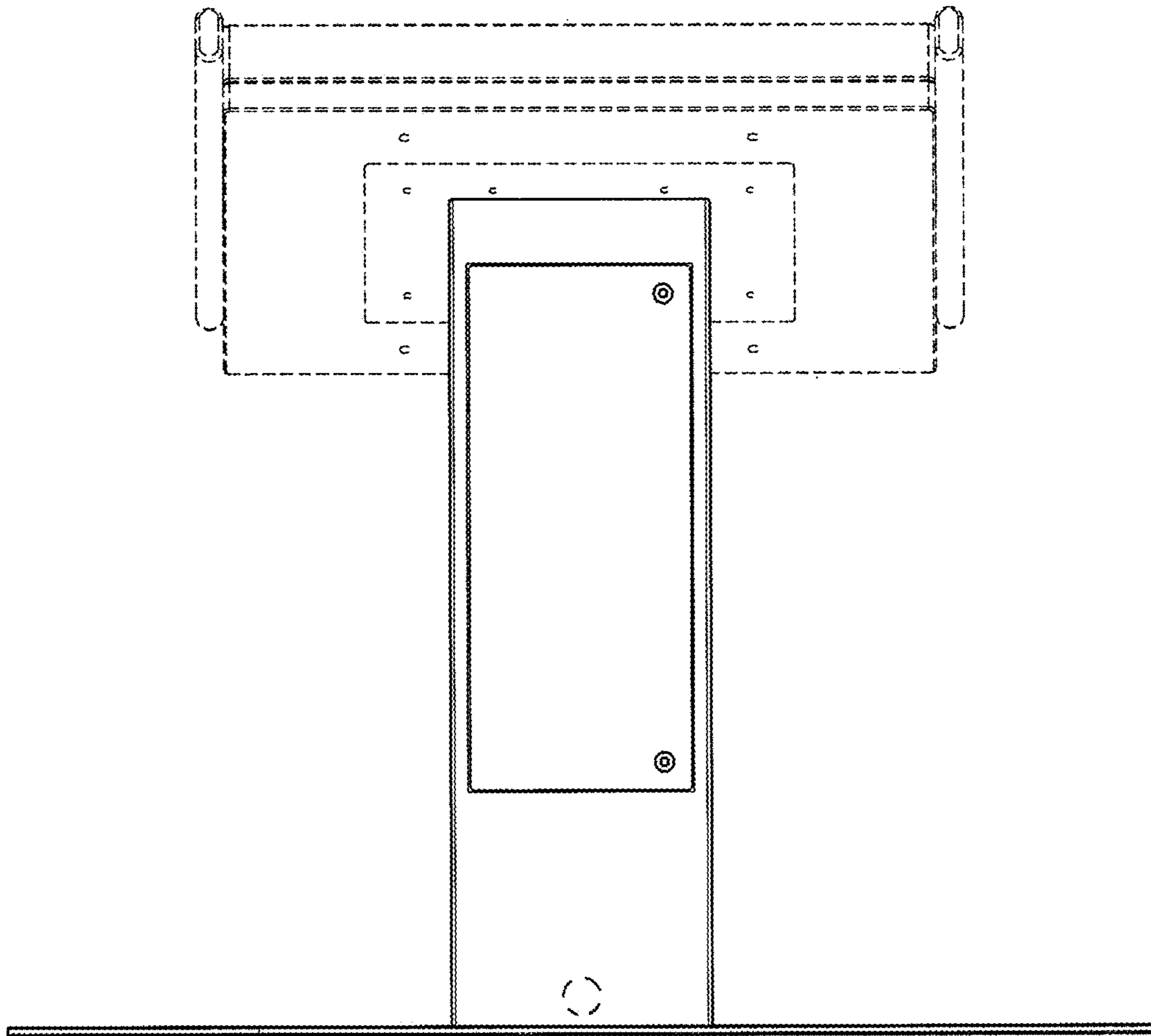


FIG. 3

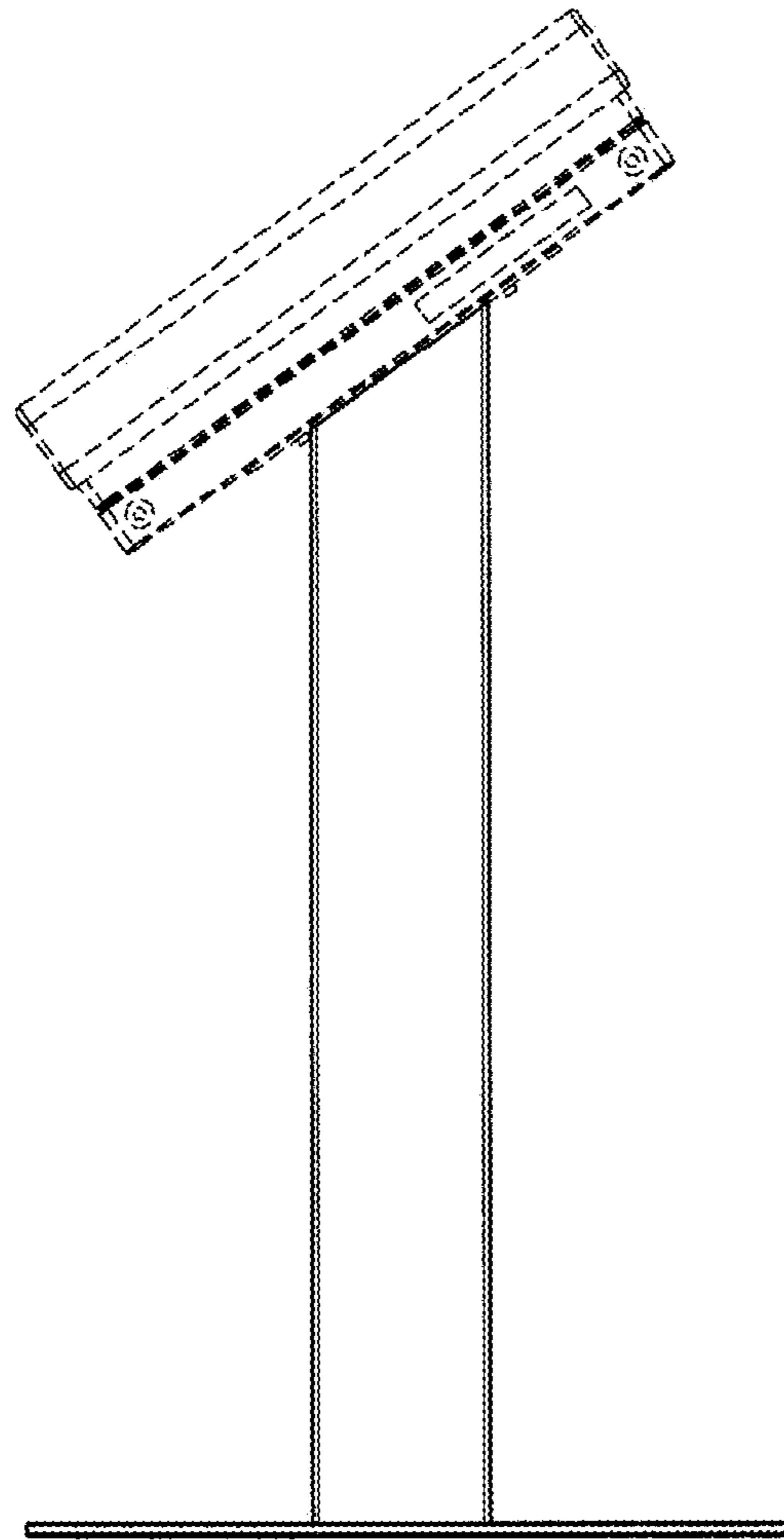


FIG. 4

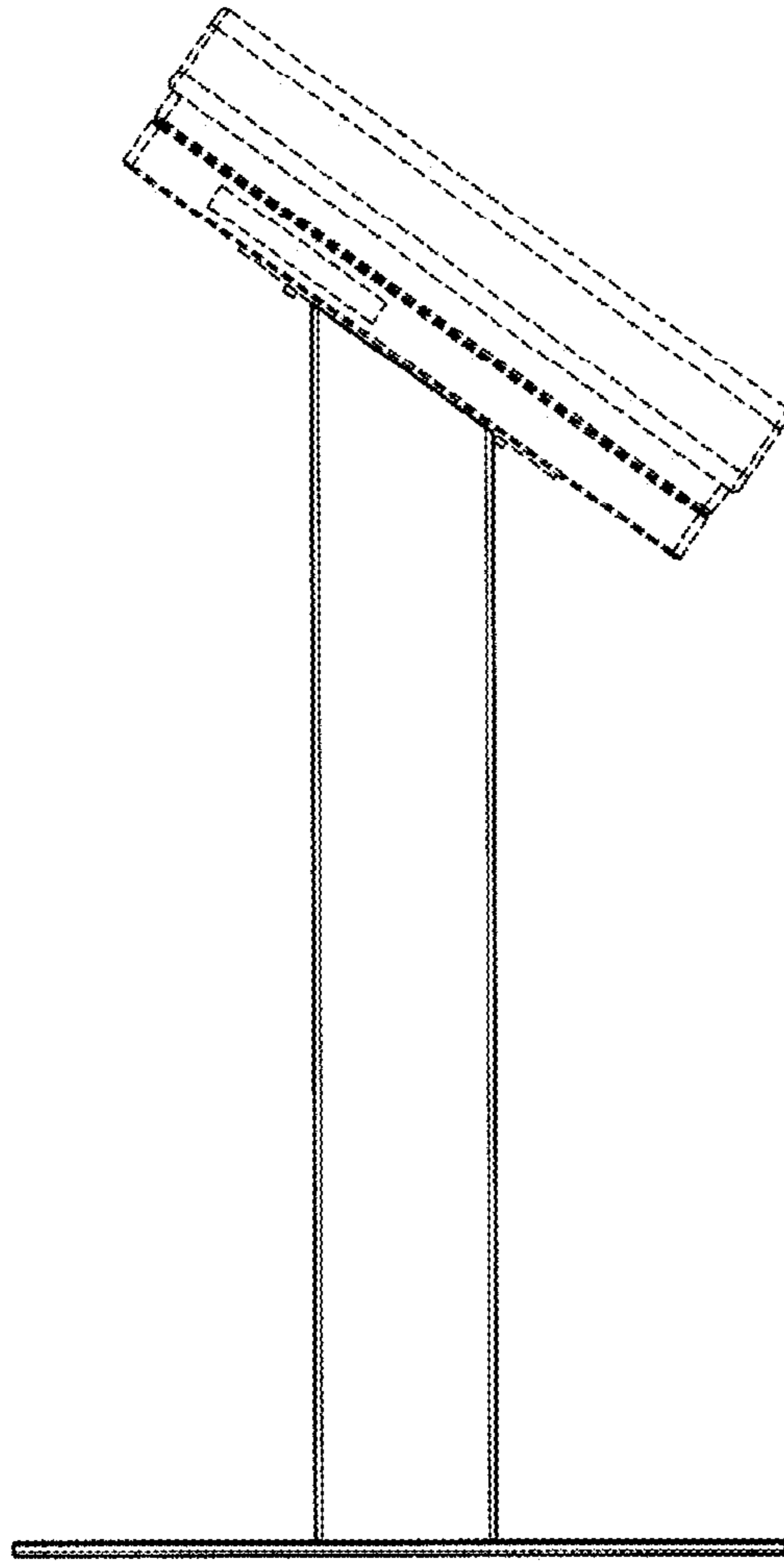


FIG. 5

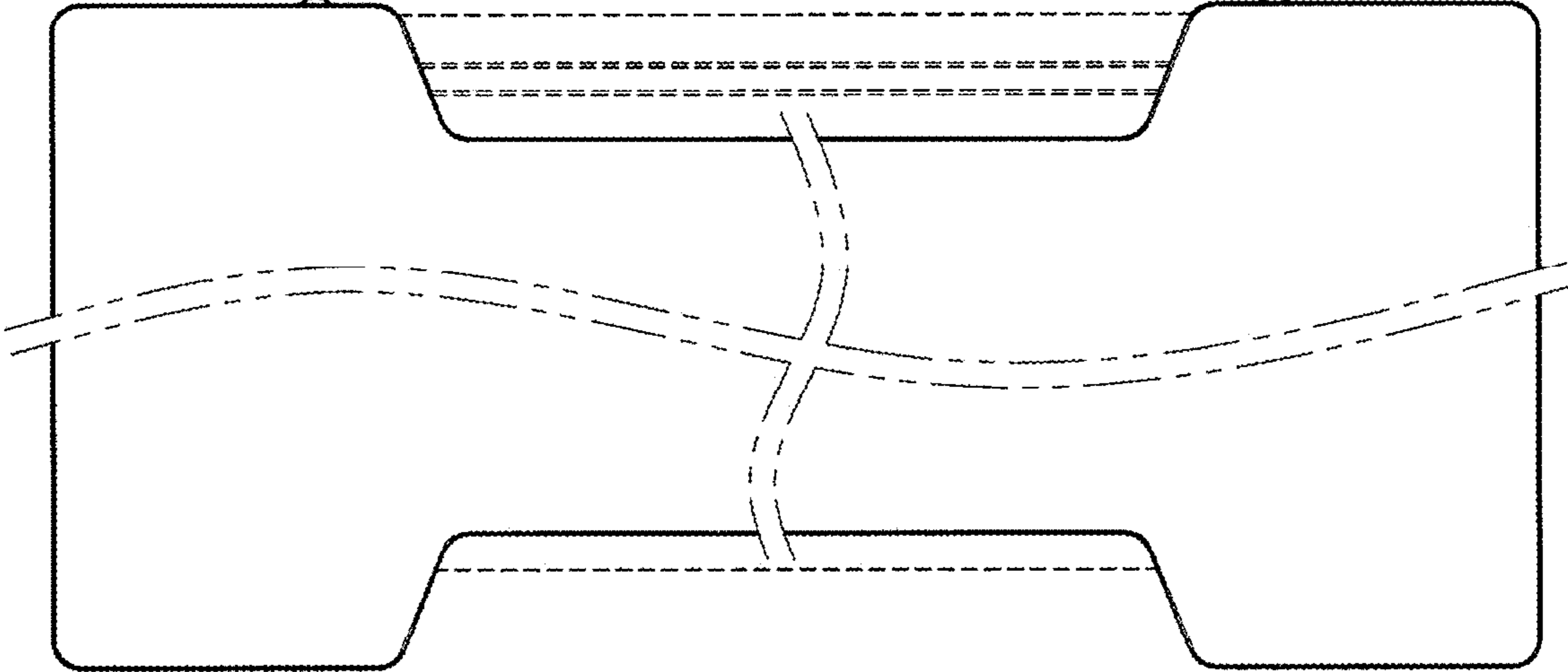


FIG. 6

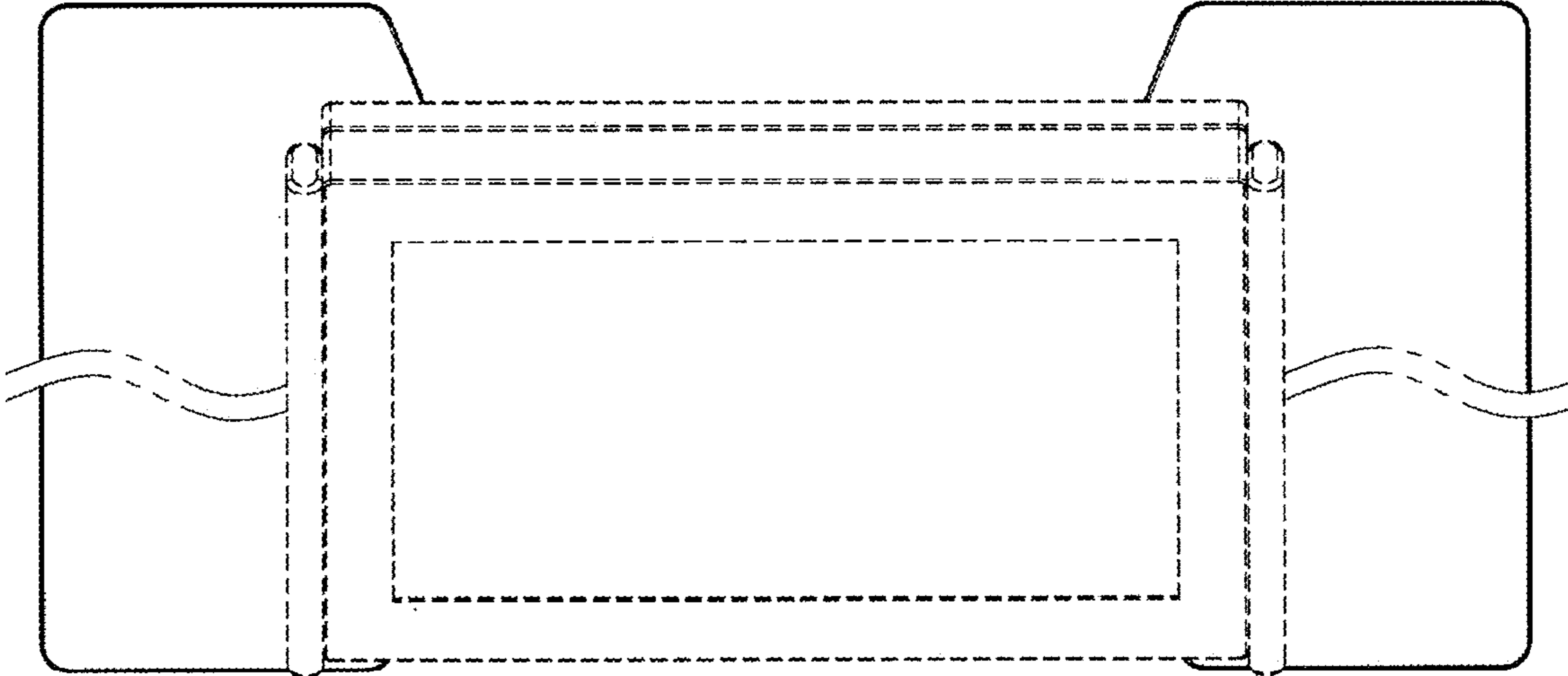


FIG. 7

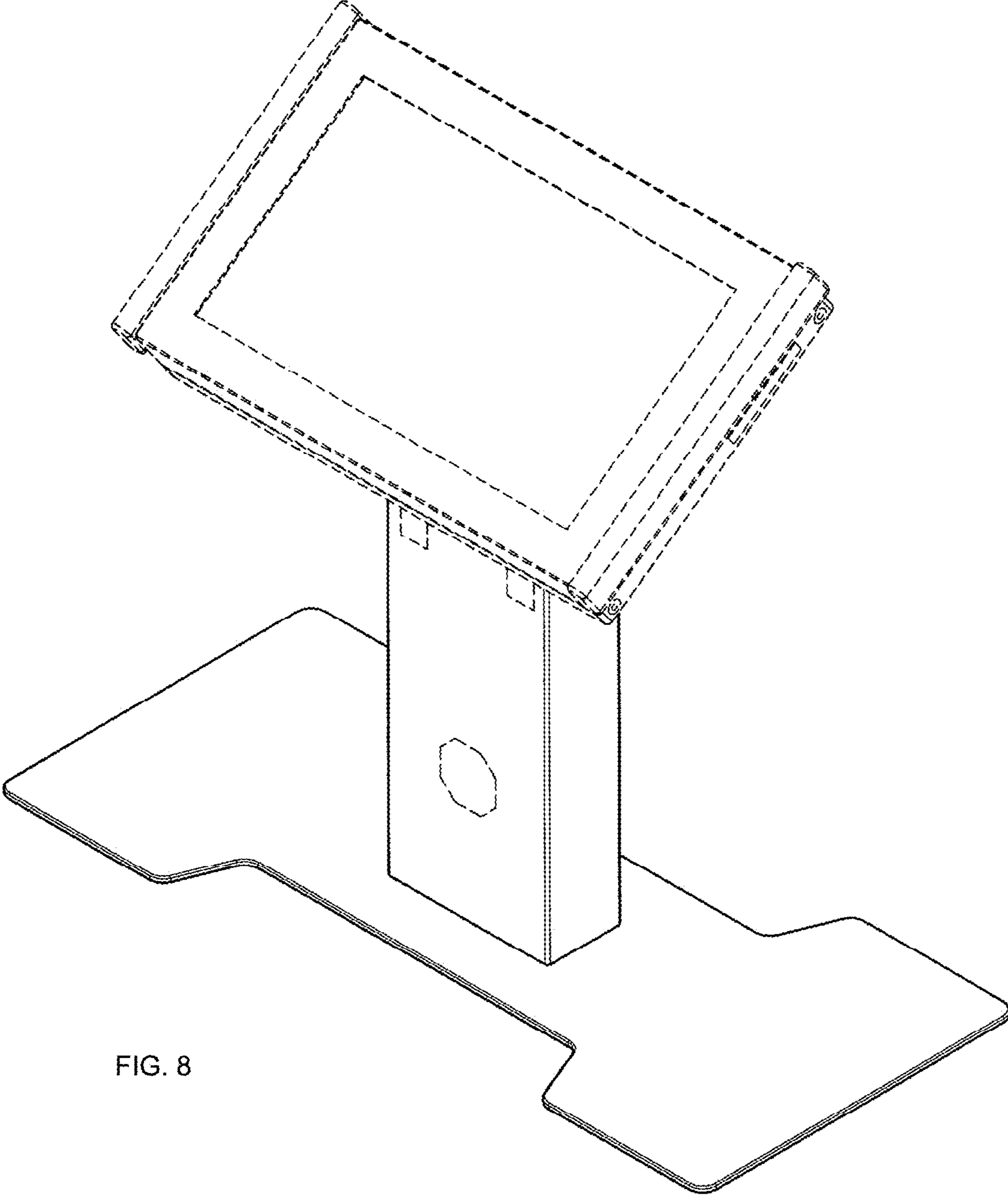


FIG. 8

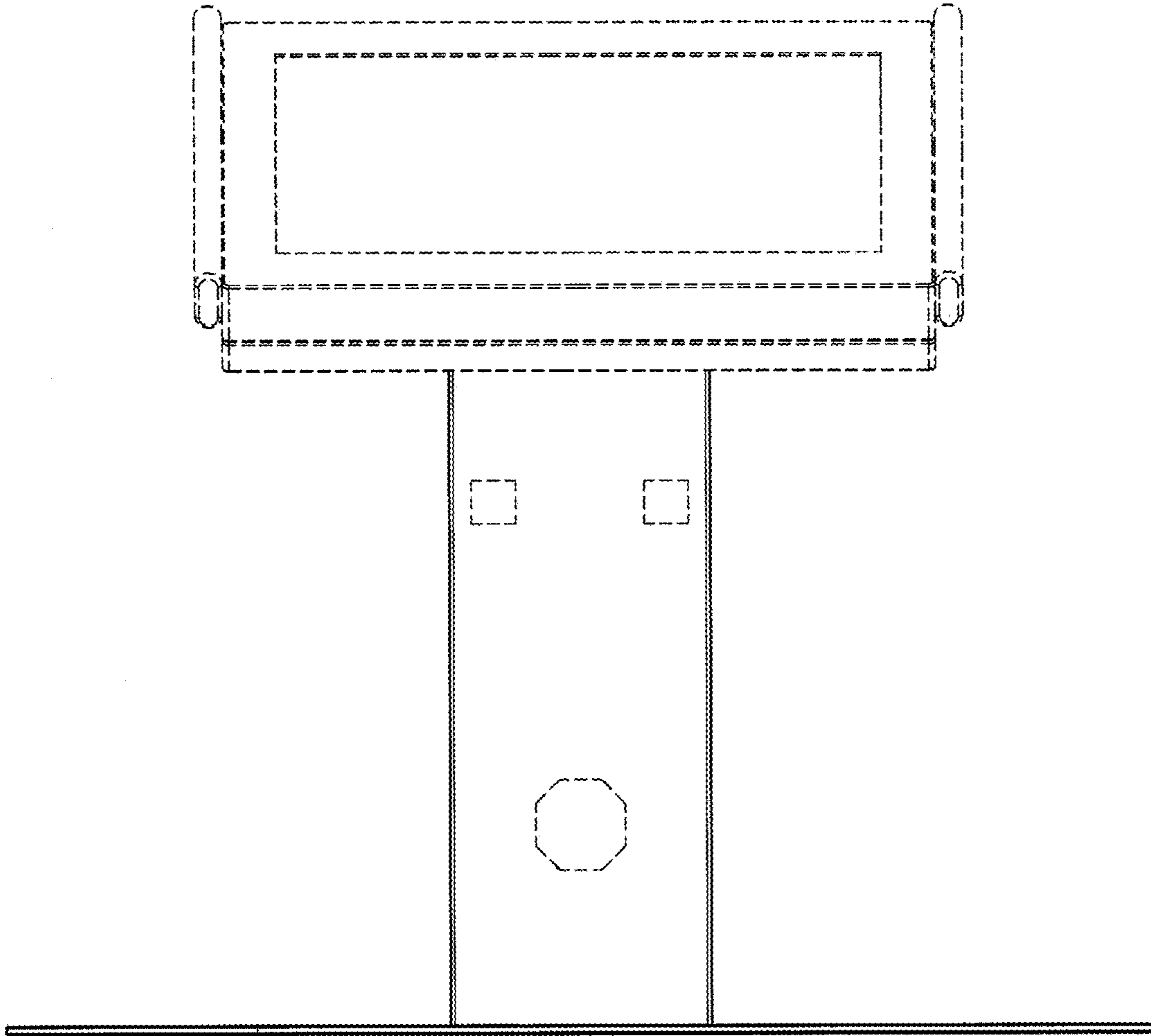


FIG. 9

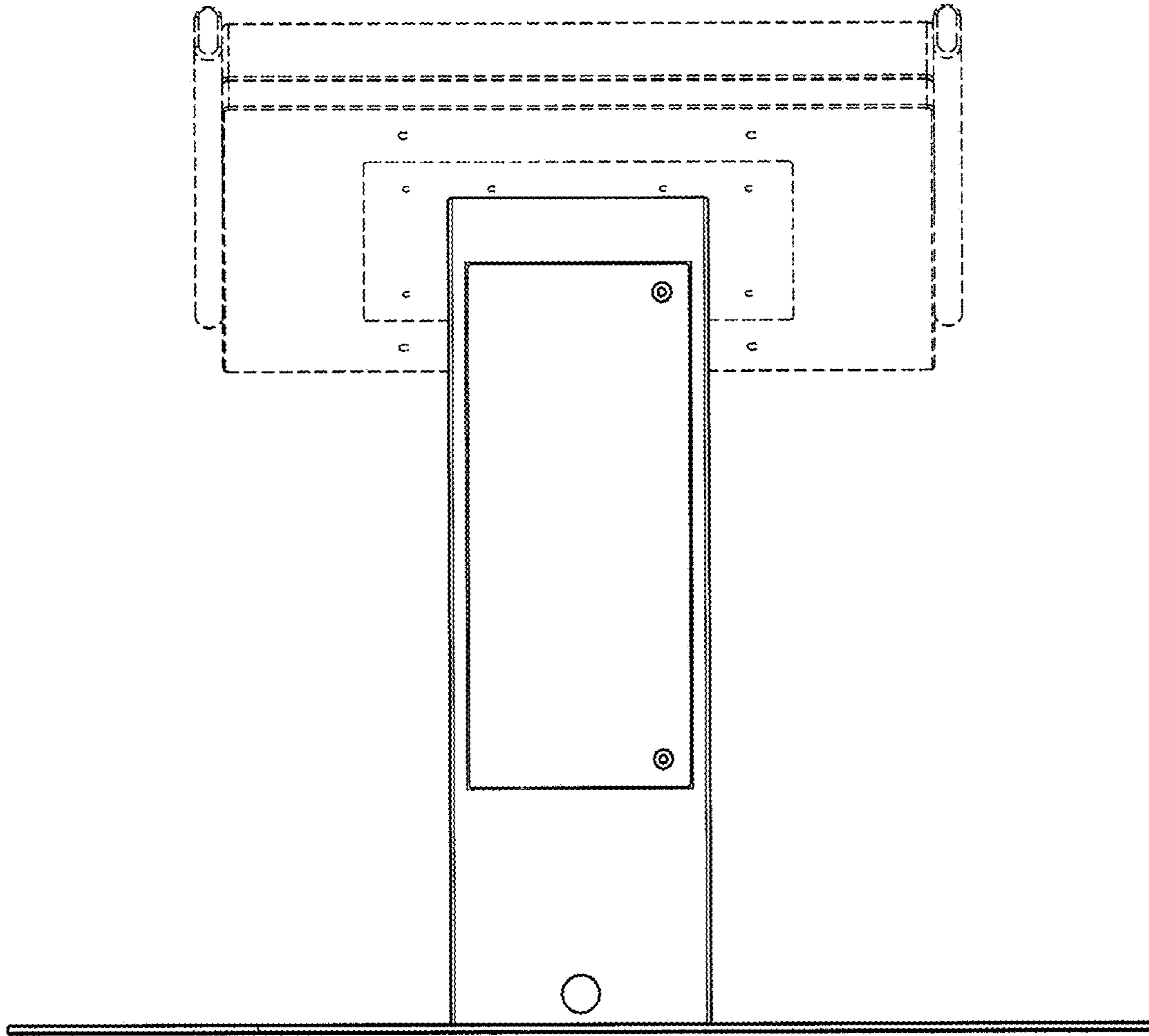


FIG. 10

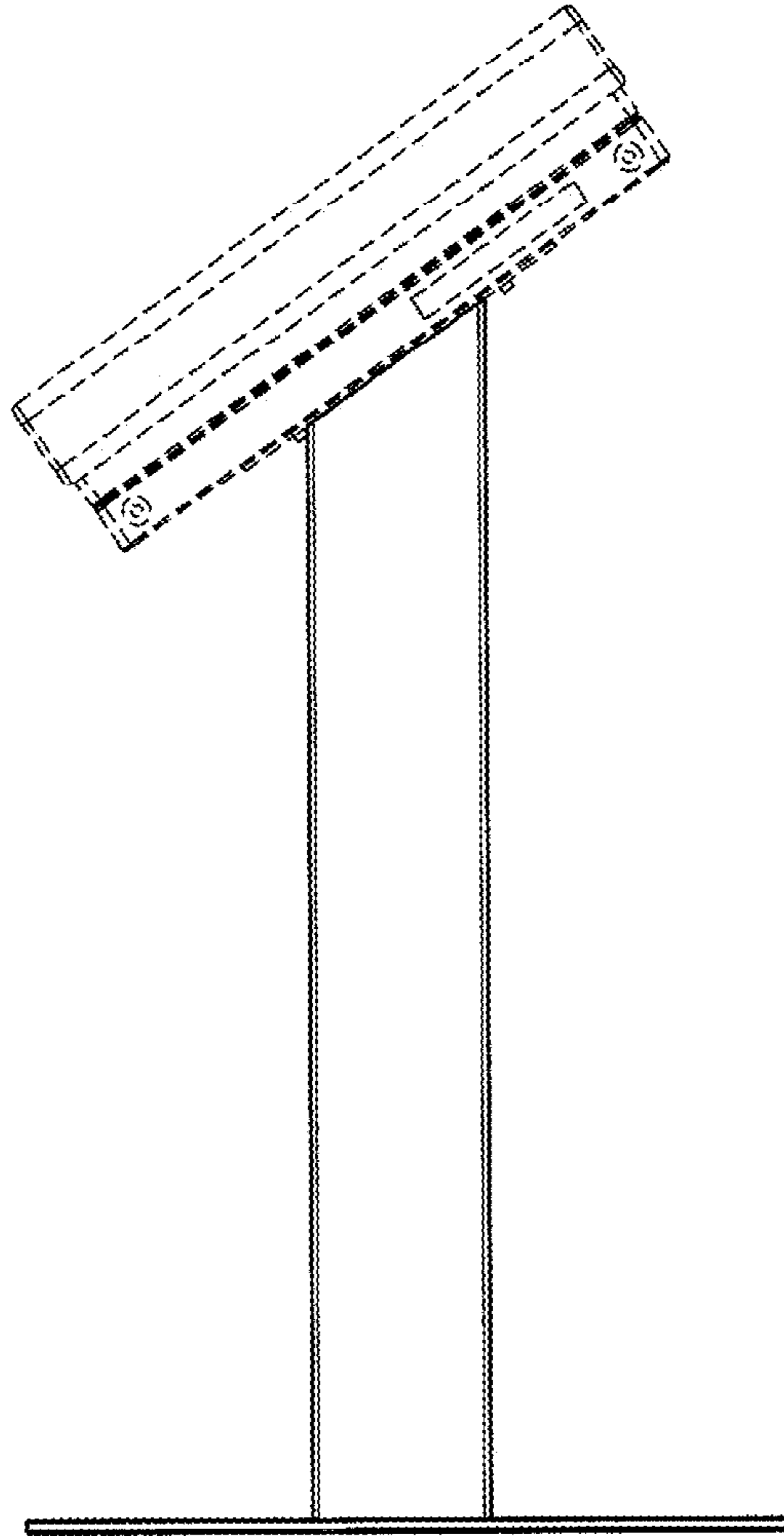


FIG. 11

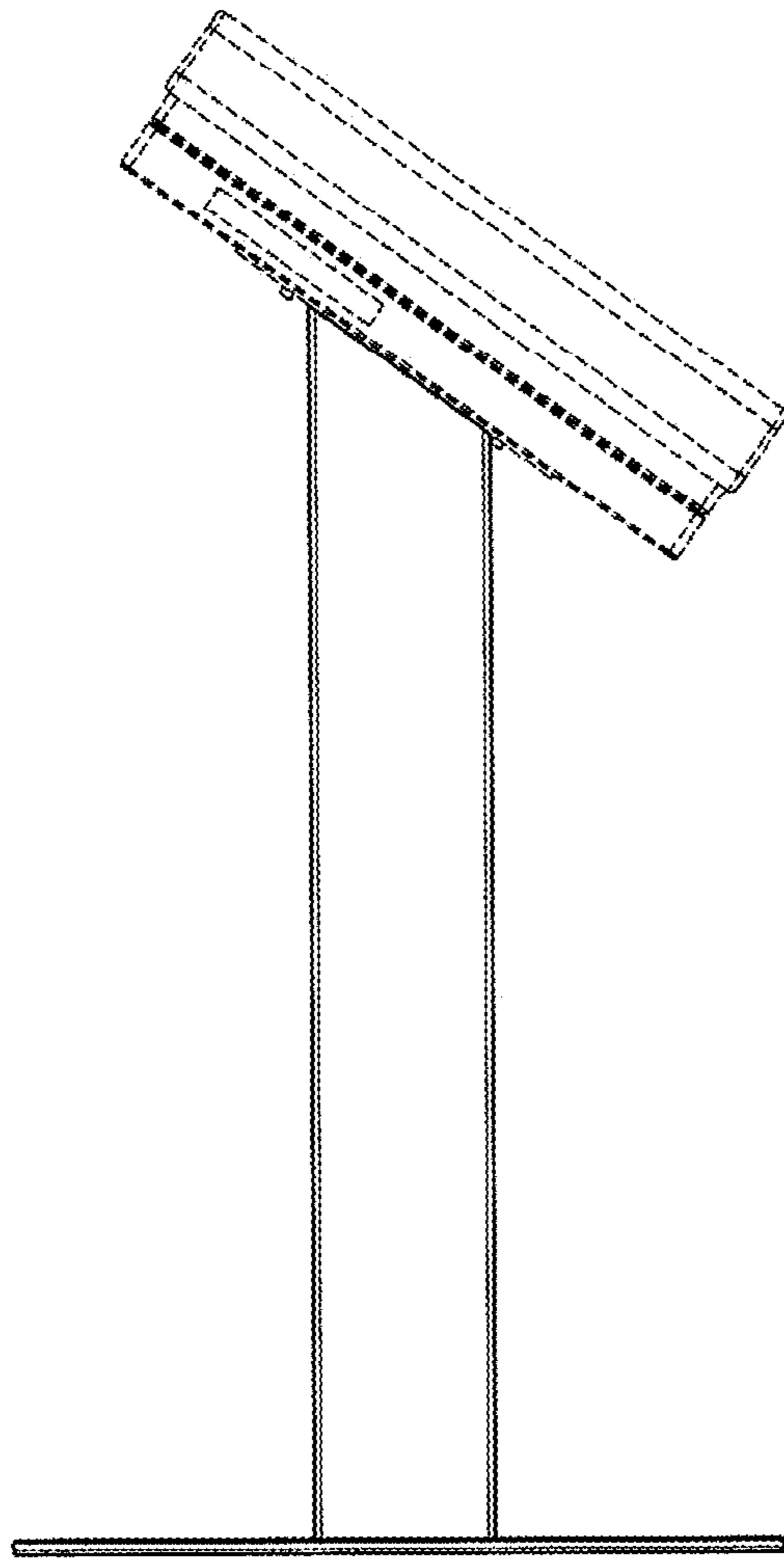


FIG. 12

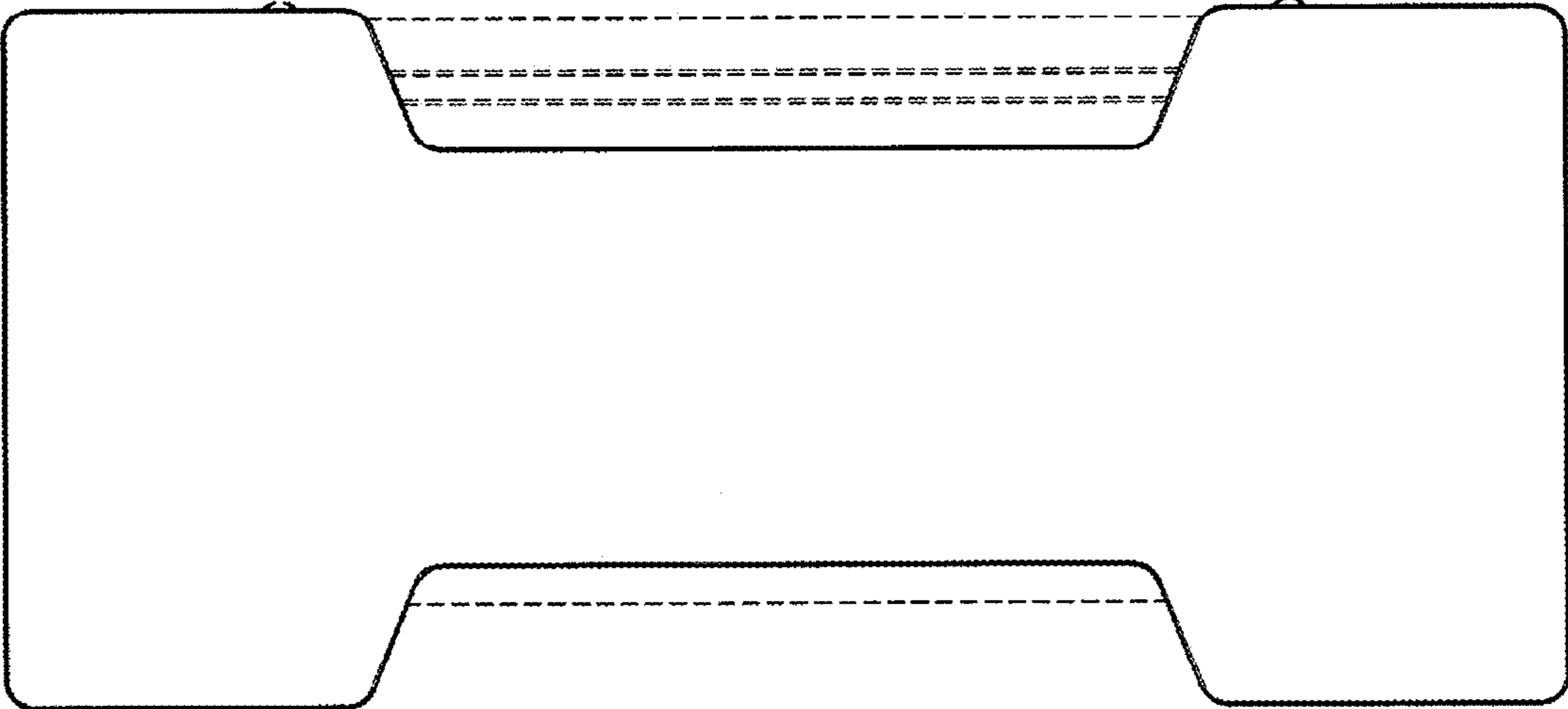


FIG. 13

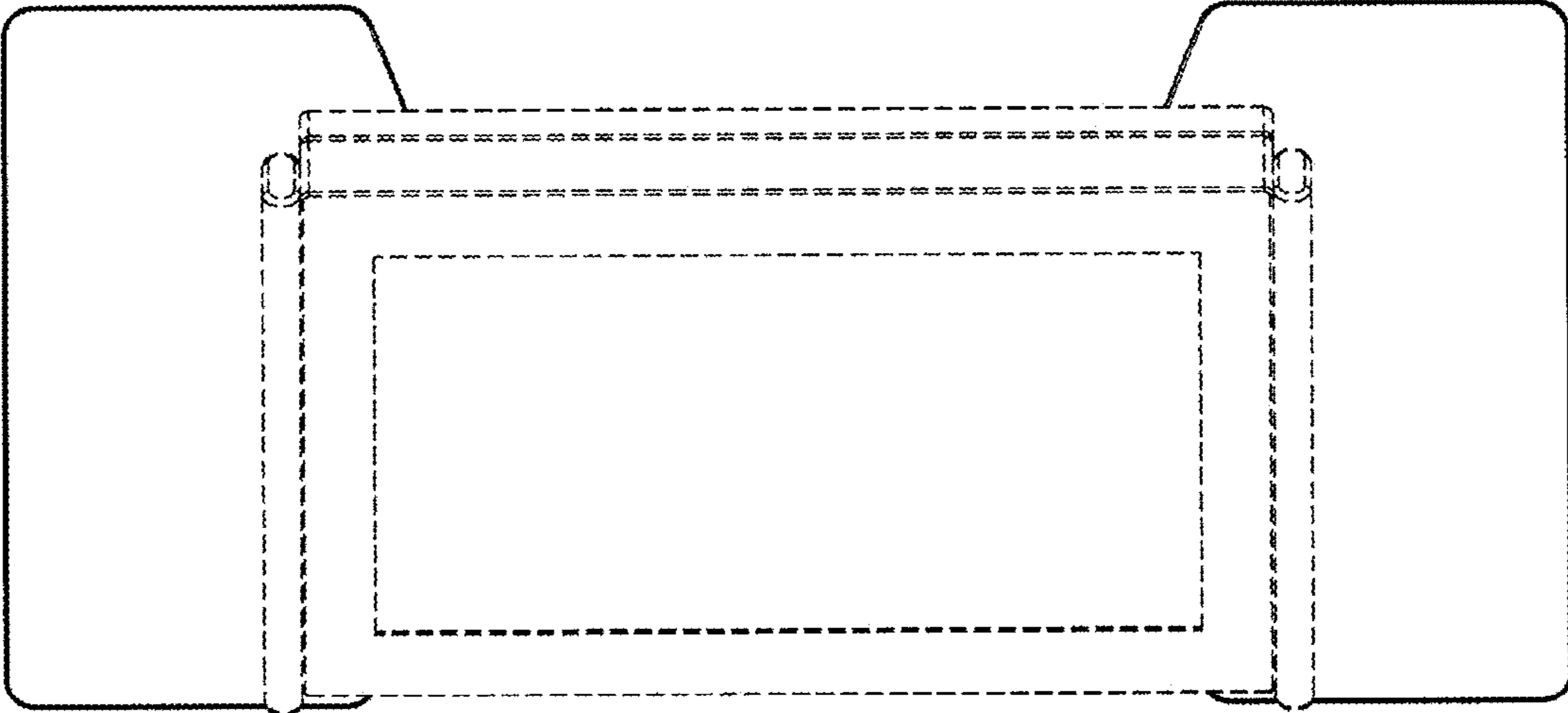


FIG. 14