



US00D892108S

(12) **United States Design Patent** (10) **Patent No.:** **US D892,108 S**
Chih (45) **Date of Patent:** **** Aug. 4, 2020**

- (54) **MOBILE DEVICE STAND**
- (71) Applicant: **Broder Bros., Co.**, Trevese, PA (US)
- (72) Inventor: **Yiling Chih**, Trunbull, CT (US)
- (73) Assignee: **Broder Bros., Co.**, Trevese, PA (US)
- (**) Term: **15 Years**
- (21) Appl. No.: **29/681,521**
- (22) Filed: **Feb. 26, 2019**
- (51) **LOC (12) Cl.** **14-03**
- (52) **U.S. Cl.**
USPC **D14/253**
- (58) **Field of Classification Search**
USPC D14/251-253, 447, 452, 432-434, 440;
D12/415; D3/218; D13/107, 108, 144
CPC H04M 1/02; H04M 1/04; B60R 11/02;
F16M 11/00; F16M 11/04; F16M 11/06
See application file for complete search history.

- D780,186 S * 2/2017 Lee D14/253
- D788,035 S * 5/2017 Bang D13/108
- D799,494 S * 10/2017 Lee D14/447
- D811,414 S * 2/2018 Lee D14/447
- D861,599 S * 10/2019 Choi D13/108
- D861,600 S * 10/2019 Choi D13/108

* cited by examiner

Primary Examiner — Janice Hallmark
(74) *Attorney, Agent, or Firm* — Myers Wolin, LLC

(57) **CLAIM**

The ornamental design for a mobile device stand, as shown and described.

DESCRIPTION

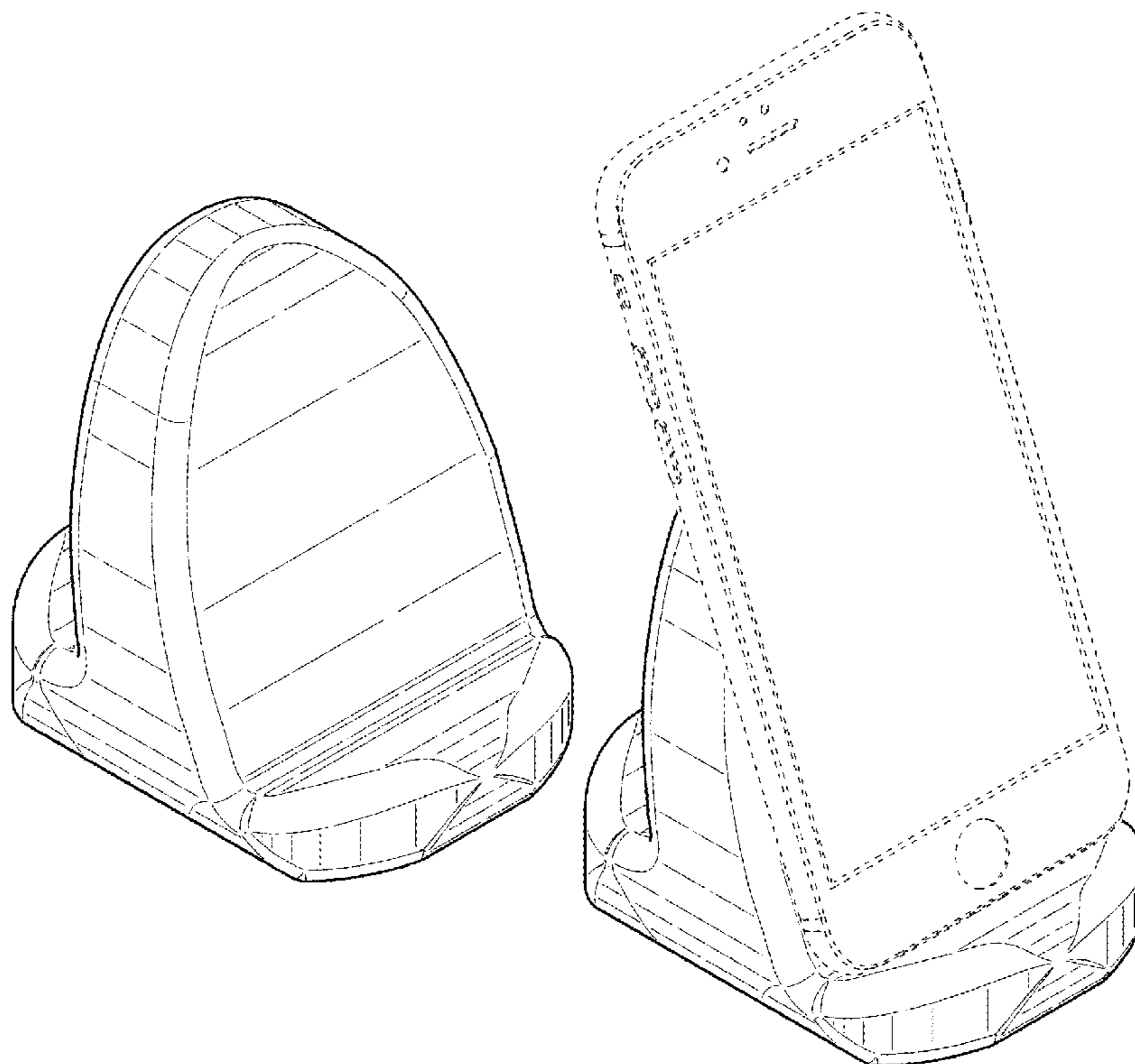
FIG. 1 is a front perspective view of a mobile device stand showing my new design;
 FIG. 2 is a rear perspective view thereof;
 FIG. 3 is a front elevational view thereof;
 FIG. 4 is a left side elevational view thereof;
 FIG. 5 is a right side elevational view thereof;
 FIG. 6 is a top view thereof;
 FIG. 7 is a bottom view thereof;
 FIG. 8 is a rear view thereof; and,
 FIG. 9 illustrates the mobile device stand of FIG. 1 in a use condition.
 The broken lines depicting environmental subject matter are for illustrative purposes only and form no part of the claimed design.

(56) **References Cited**

U.S. PATENT DOCUMENTS

- D628,203 S * 11/2010 Noble D14/447
- D702,665 S * 4/2014 Kim D14/217
- D711,366 S * 8/2014 Lui D14/253
- D730,888 S * 6/2015 Malsan D14/253
- D736,210 S * 8/2015 Paradise D14/434
- D746,170 S * 12/2015 Scheller D11/157
- D746,807 S * 1/2016 McGarry D14/253
- D748,616 S * 2/2016 Noble D14/253
- D763,244 S * 8/2016 McGarry D14/253

1 Claim, 3 Drawing Sheets



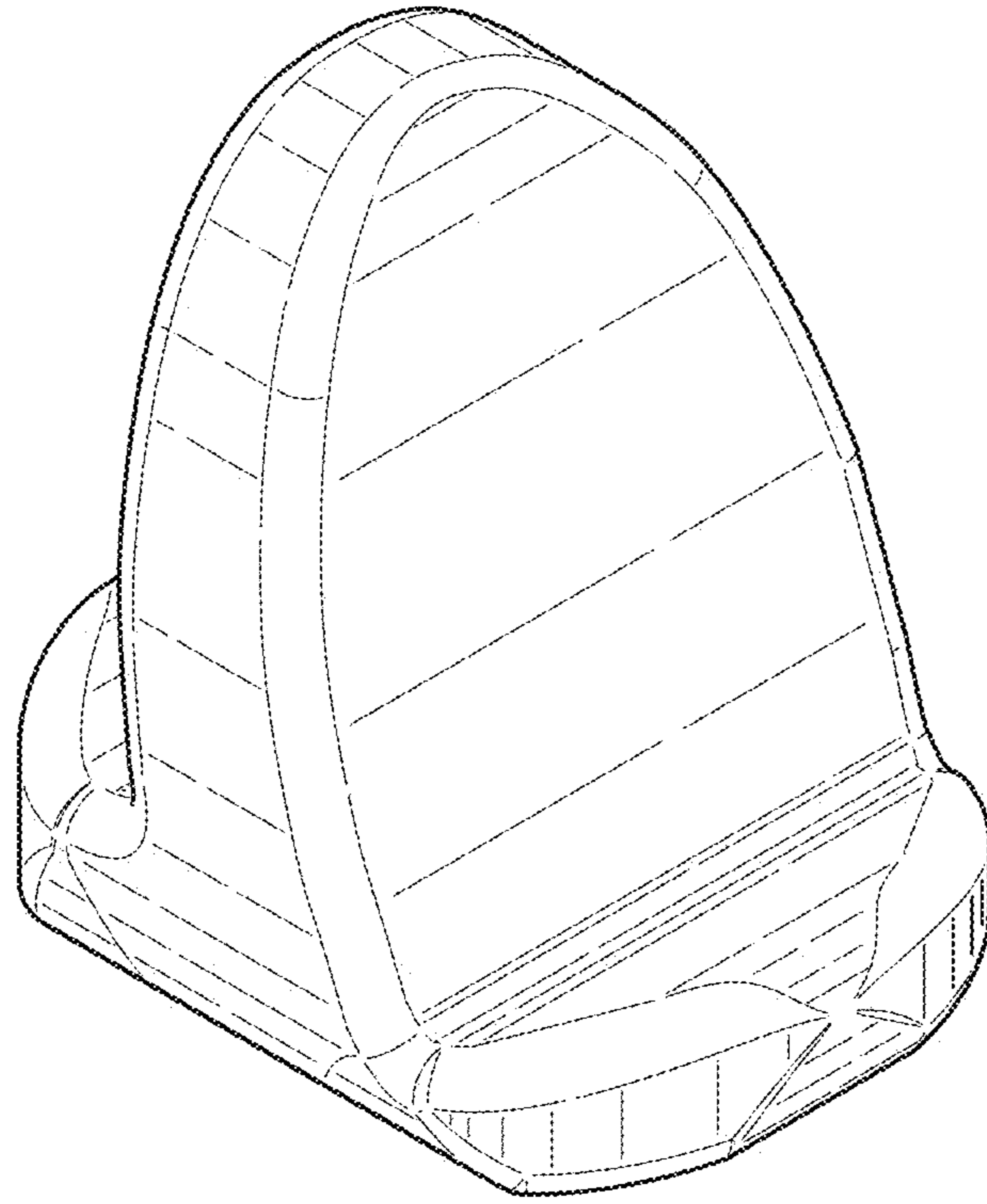


FIG. 1

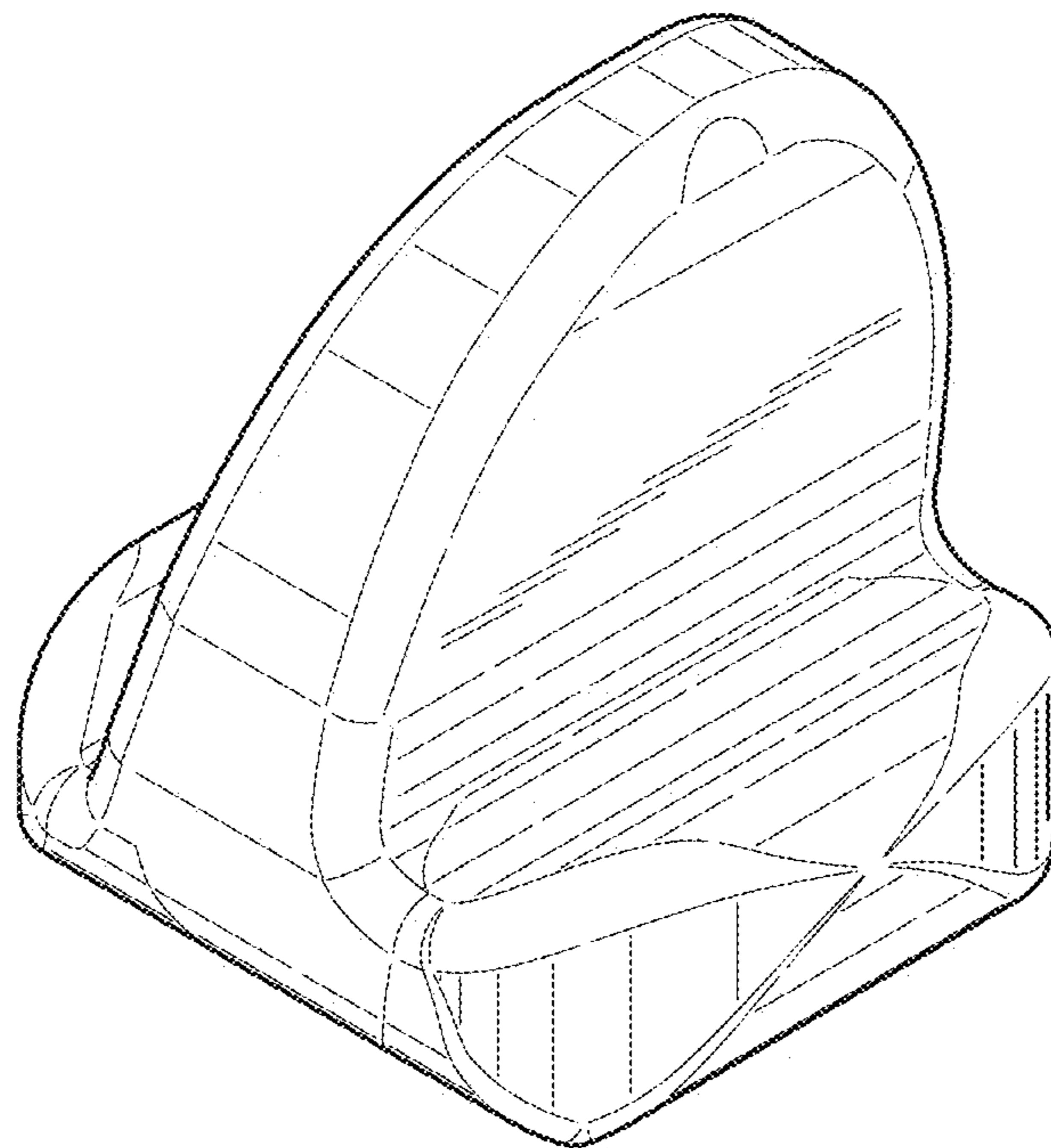


FIG. 2

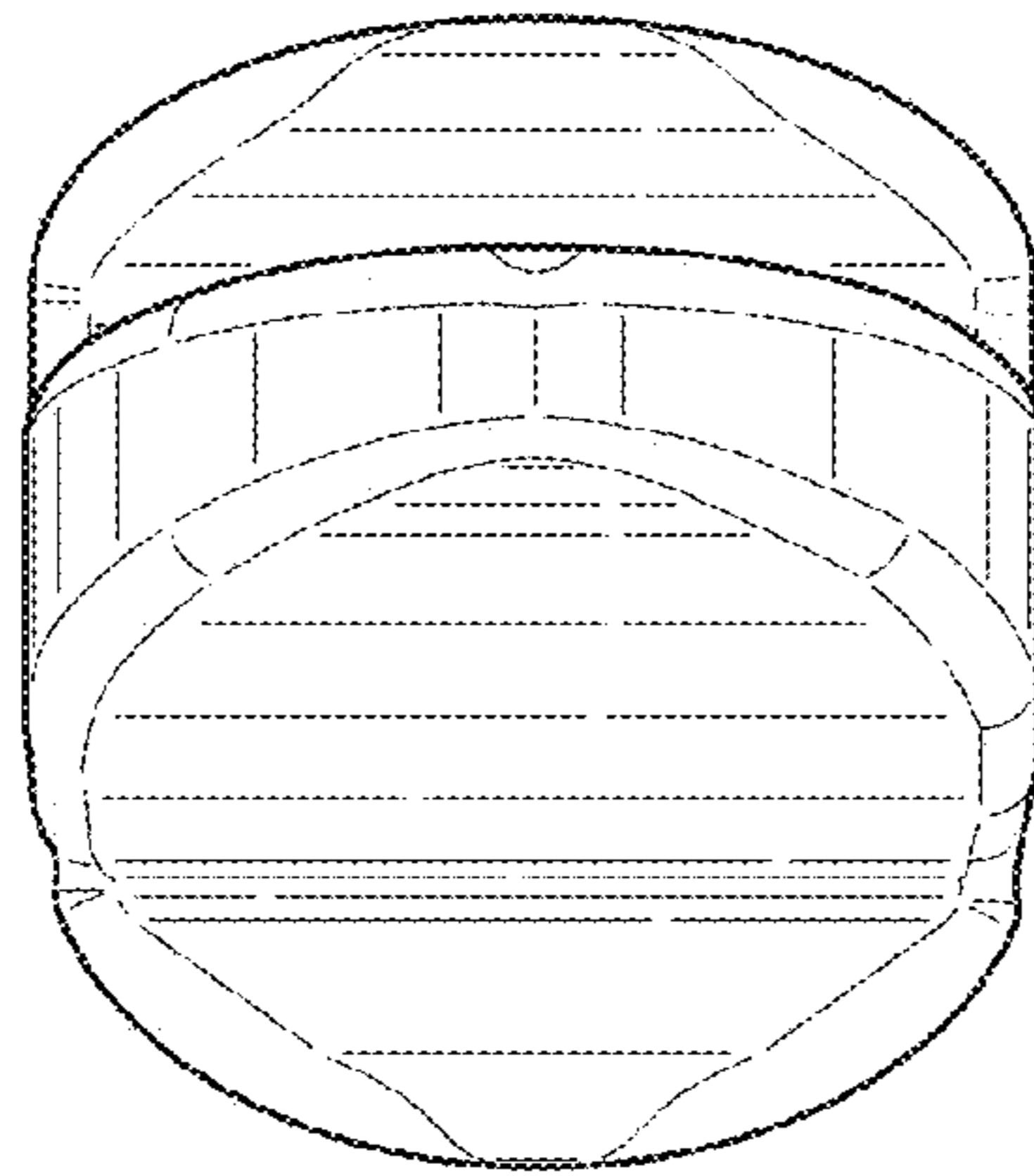


FIG. 6

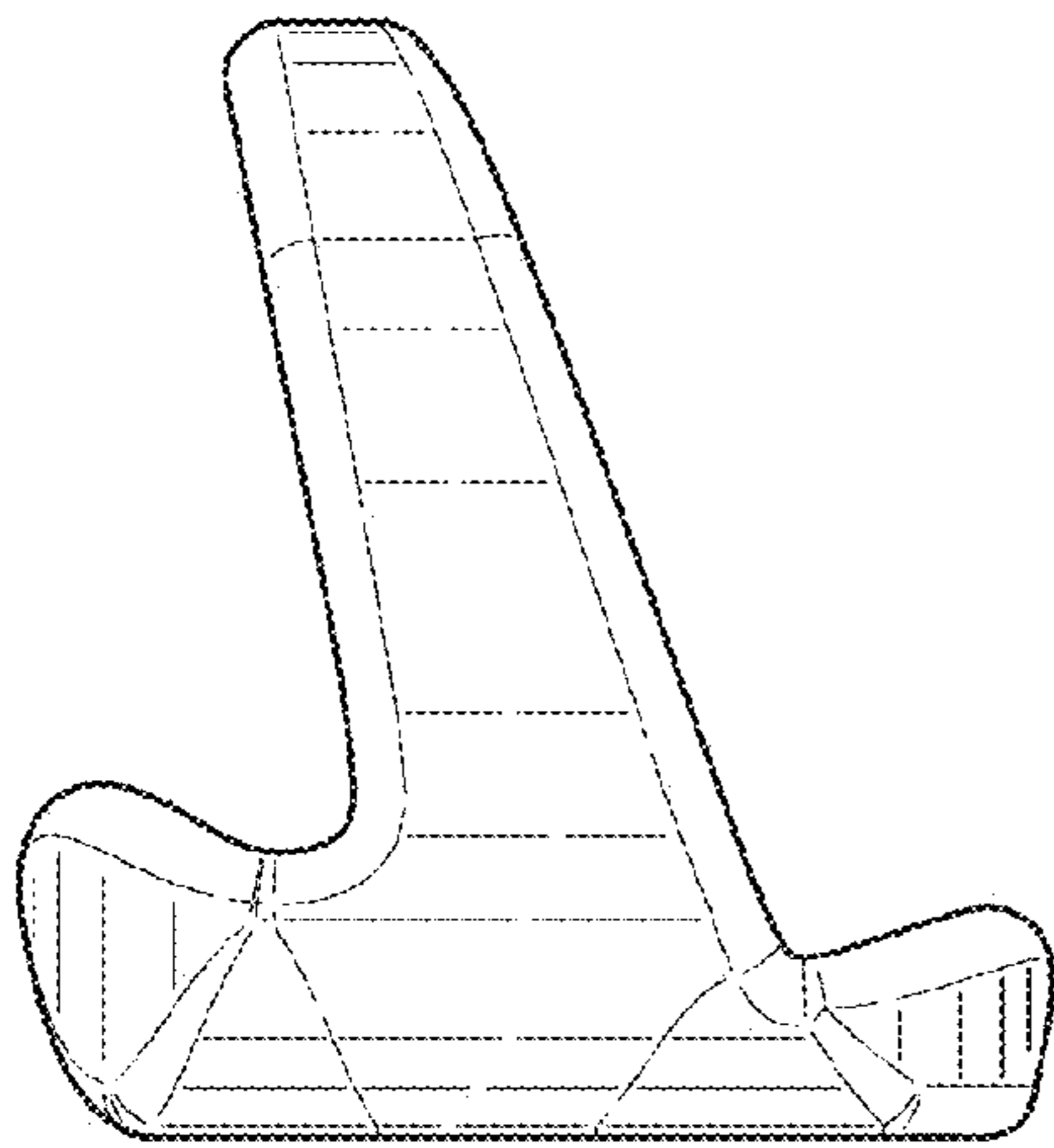


FIG. 4

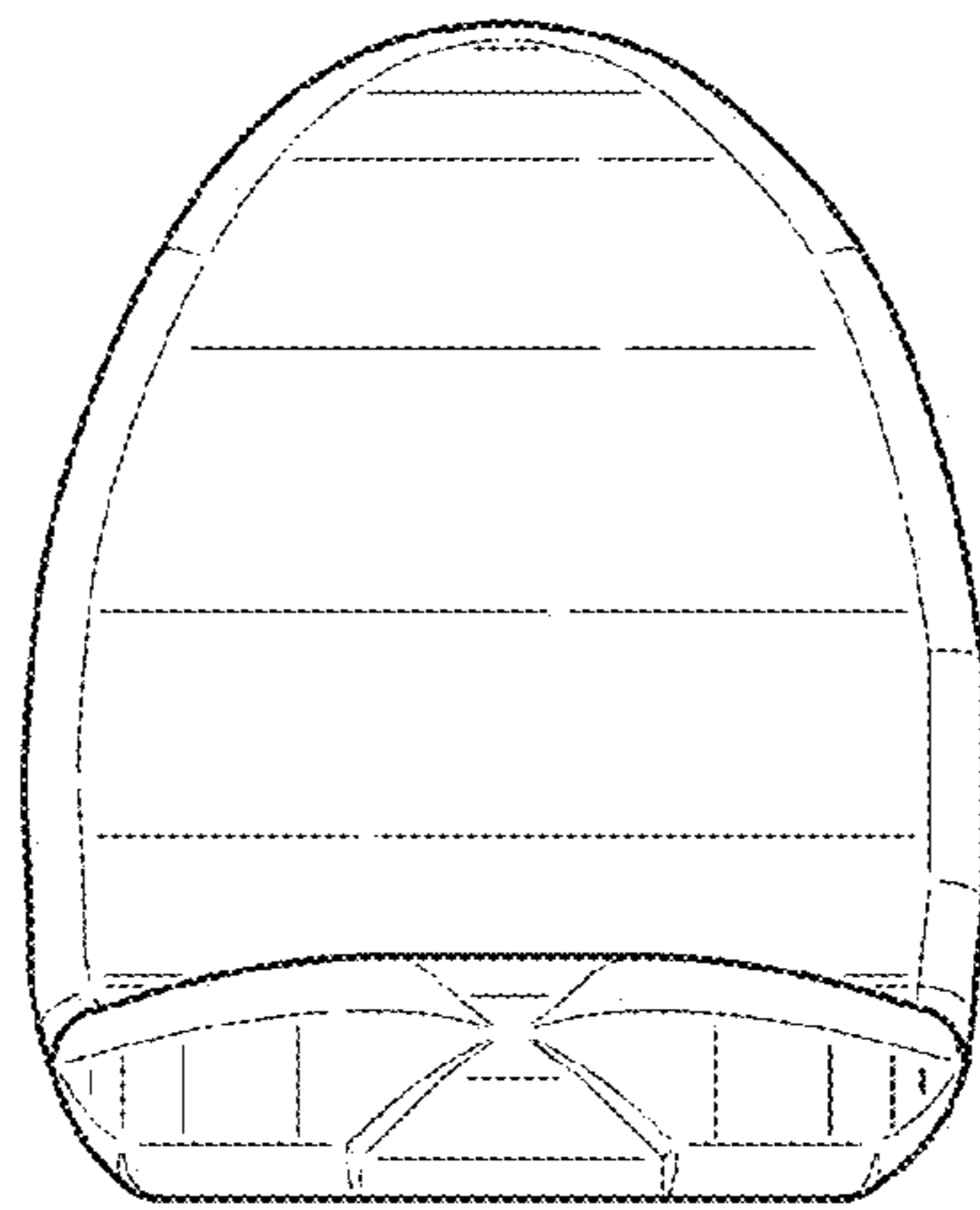


FIG. 3

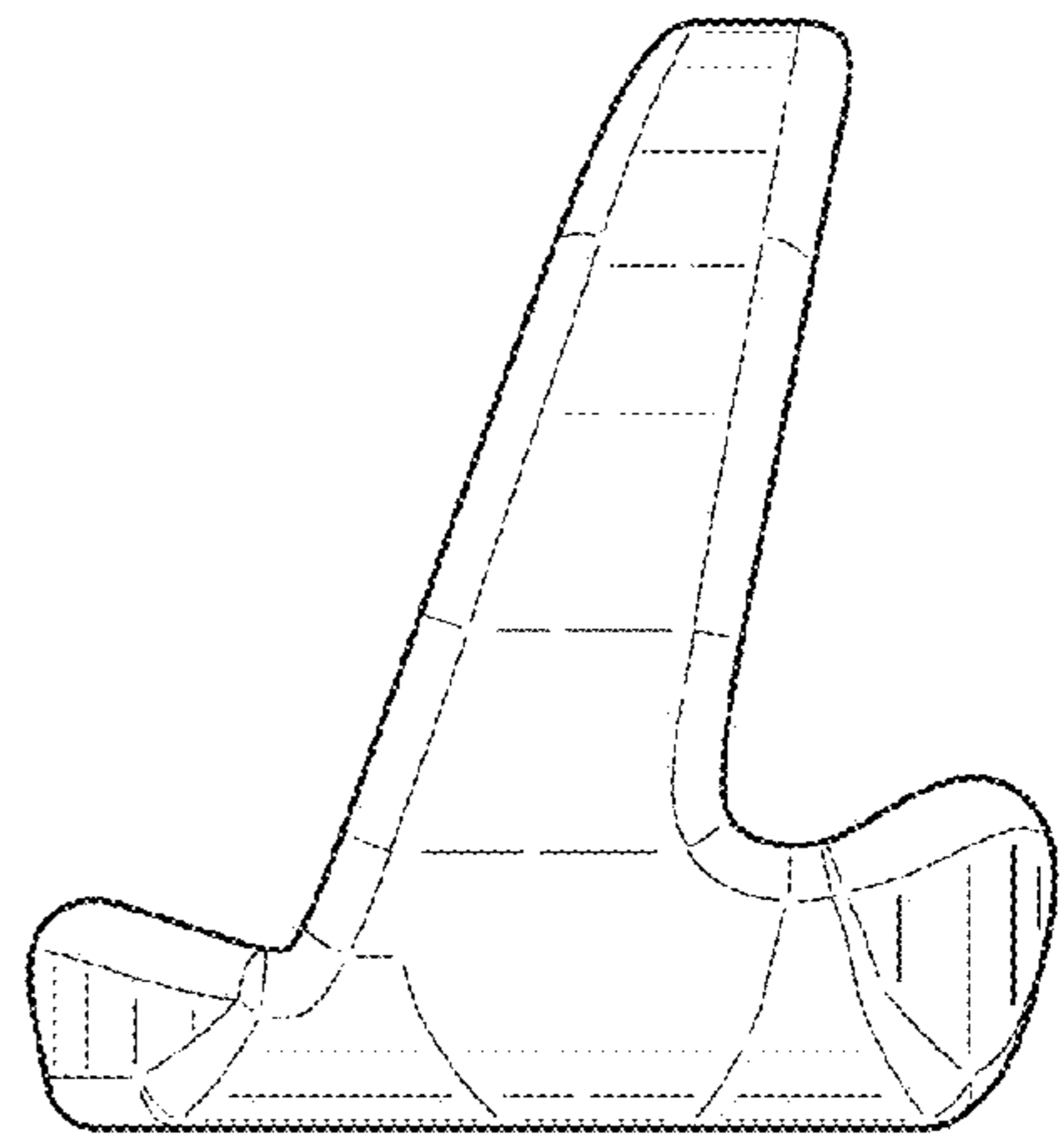


FIG. 5

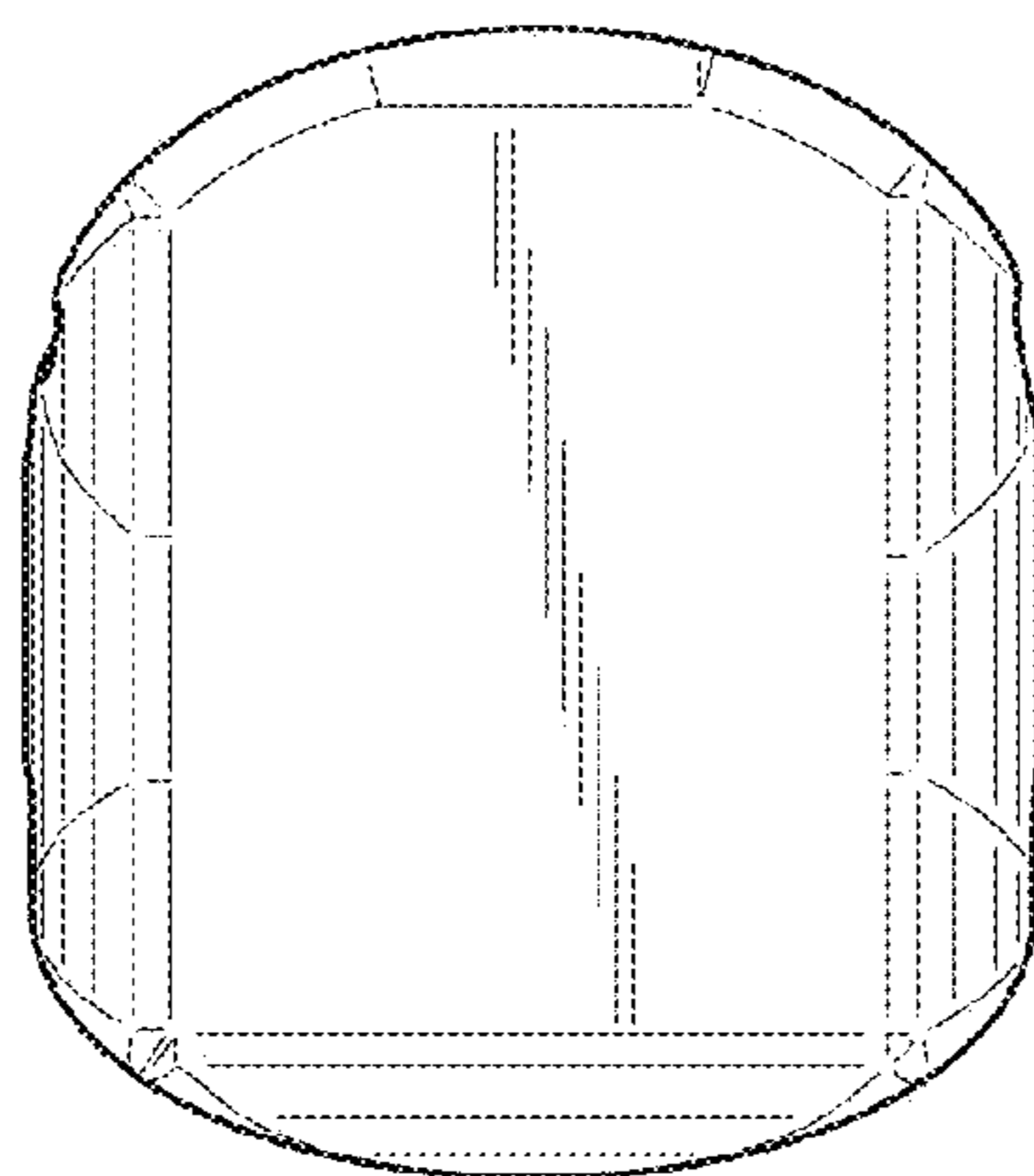


FIG. 7

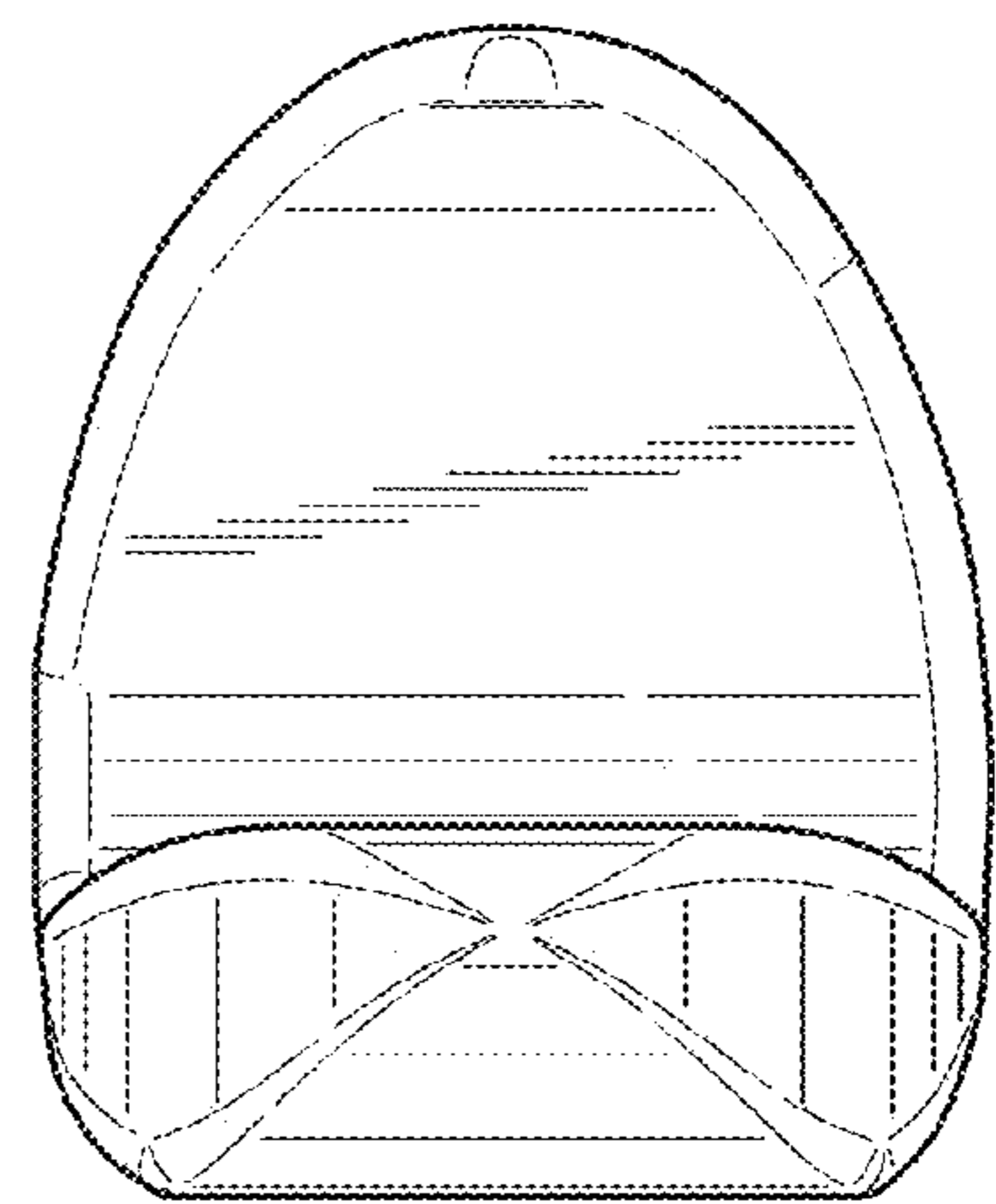


FIG. 8

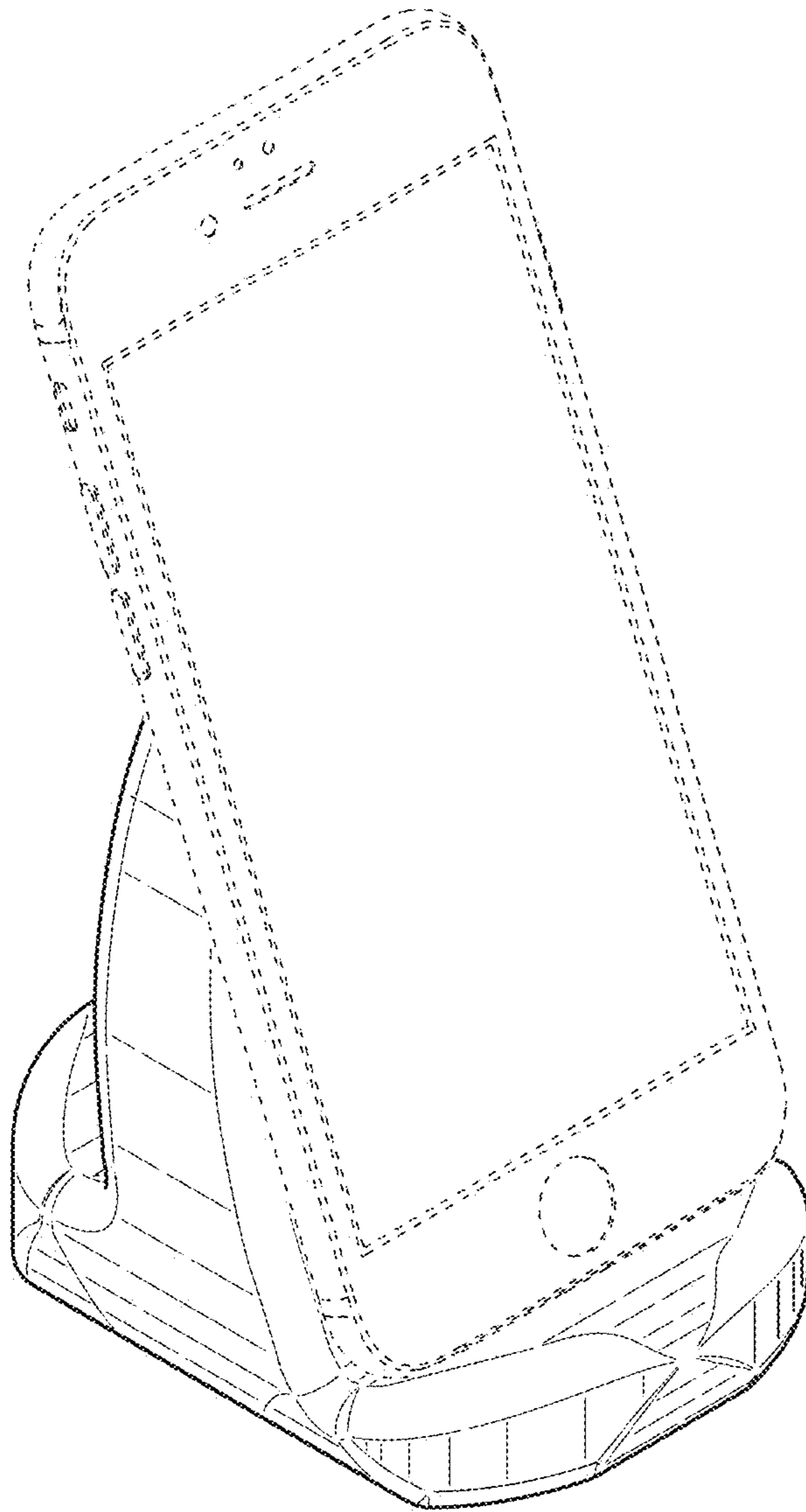


FIG. 9