



US00D892107S

(12) **United States Design Patent** (10) **Patent No.:** **US D892,107 S**
Zhao (45) **Date of Patent:** **** Aug. 4, 2020**

(54) **PHONE CASE**

(71) Applicant: **Jing Zhao**, Shenzhen (CN)

(72) Inventor: **Jing Zhao**, Shenzhen (CN)

(**) Term: **15 Years**

(21) Appl. No.: **29/716,944**

(22) Filed: **Dec. 13, 2019**

(51) **LOC (12) Cl.** **14-03**

(52) **U.S. Cl.**
USPC **D14/250**

(58) **Field of Classification Search**
USPC D14/440, 203.3–203.7, 439, 238.1,
D14/251–253, 447, 217, 240, 248, 250;
D3/201, 218, 247, 269, 273, 301, 303,
D3/249; D13/103, 119, 107–108
CPC H04B 1/3888; H04M 1/0283; H04M
1/0202; A45C 1/06; A45C 11/00; A45C
13/02; A45C 2011/002; A45F 2005/026;
A45F 2200/0525; A45F 2200/0516
See application file for complete search history.

(56) **References Cited**

U.S. PATENT DOCUMENTS

D414,033 S *	9/1999	Rohm	D3/201
D621,396 S *	8/2010	Lee	D14/252
D677,668 S *	3/2013	Phillips	D14/440
D700,599 S *	3/2014	Kim	D14/250
D714,054 S *	9/2014	Kershenstein	D3/269
D729,522 S *	5/2015	Kim	D3/218
9,118,390 B2 *	8/2015	Lin	H04B 1/3888
D737,828 S *	9/2015	Albano	D14/440

(Continued)

Primary Examiner — Carla J Wright
(74) *Attorney, Agent, or Firm* — HYIP

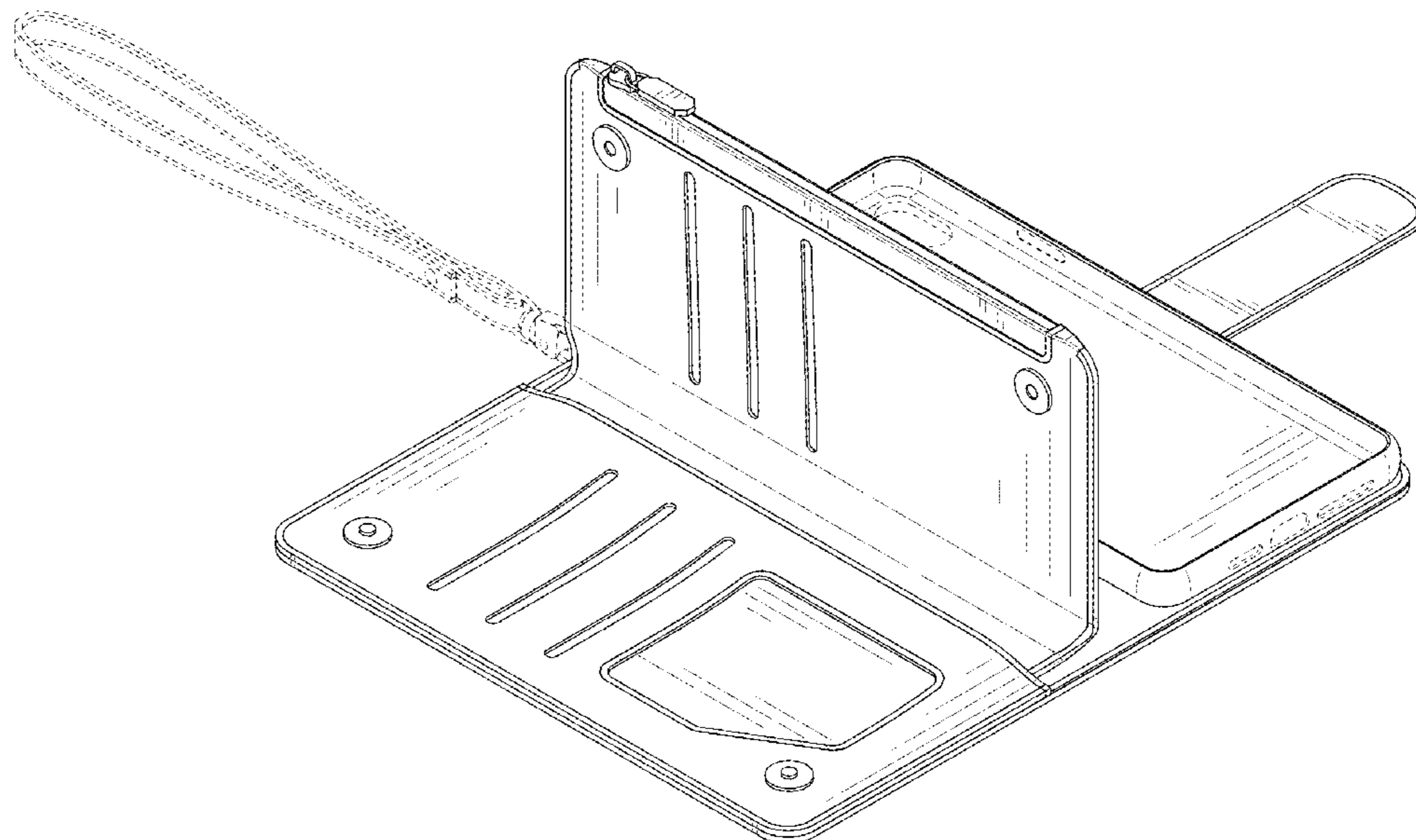
(57) **CLAIM**

The ornamental design for a phone case, as shown and described.

DESCRIPTION

FIG. 1 is a front perspective view of a phone case in an open configuration showing a first embodiment of my new design; FIG. 2 is a front view thereof; FIG. 3 is a back view thereof; FIG. 4 is a left-side view thereof; FIG. 5 is a right-side view thereof; FIG. 6 is a top view thereof; FIG. 7 is a bottom view thereof; FIG. 8 is a front perspective view of the first embodiment of the phone case in an alternate open configuration; FIG. 9 is a perspective view of the first embodiment of the phone case in a closed configuration; FIG. 10 is a front perspective view of the first embodiment of the phone case in another alternate open configuration; FIG. 11 is a front perspective view of a phone case in an open configuration showing a second embodiment of my new design; FIG. 12 is a front view thereof; FIG. 13 is a back view thereof; FIG. 14 is a left-side view thereof; FIG. 15 is a right-side view thereof; FIG. 16 is a top view thereof; FIG. 17 is a bottom view thereof; FIG. 18 is a front perspective view of the second embodiment of the phone case in an alternate open configuration; FIG. 19 is a perspective view of the second embodiment of the phone case in a closed configuration; and, FIG. 20 is a front perspective view of the second embodiment of the phone case in another alternate open configuration. The broken lines shown in the drawing figures depict portions of the phone case that form no part of the embodiment of the claimed design in which they are shown.

1 Claim, 20 Drawing Sheets



(56)

References Cited

U.S. PATENT DOCUMENTS

D738,620	S	*	9/2015	Schmole	D3/249
D745,780	S	*	12/2015	Feng	D3/269
D762,615	S	*	8/2016	Kim	D14/203.4
D767,888	S	*	10/2016	Kim	D3/249
D793,082	S	*	8/2017	Zhang	D3/249
D793,725	S	*	8/2017	Zhang	D3/249
D794,952	S	*	8/2017	Feng	D3/247
D803,558	S	*	11/2017	Liu	D3/247
D814,185	S	*	4/2018	Liu	D3/249
D822,989	S	*	7/2018	Persson	D3/249
D840,992	S		2/2019	Kim		
D842,289	S	*	3/2019	Feng	D14/250
D843,992	S	*	3/2019	Lu	D14/250
D844,596	S	*	4/2019	Liu	D14/250
D856,671	S	*	8/2019	Li	D3/249
D858,096	S	*	9/2019	Liu	D3/249
D860,981	S		9/2019	Yuan		
D864,181	S		10/2019	Luo		
D866,179	S	*	11/2019	Zhao	D3/249
D869,843	S	*	12/2019	Zhou	D3/249
2003/0150756	A1	*	8/2003	Kajiya	A45C 13/02 206/320

* cited by examiner

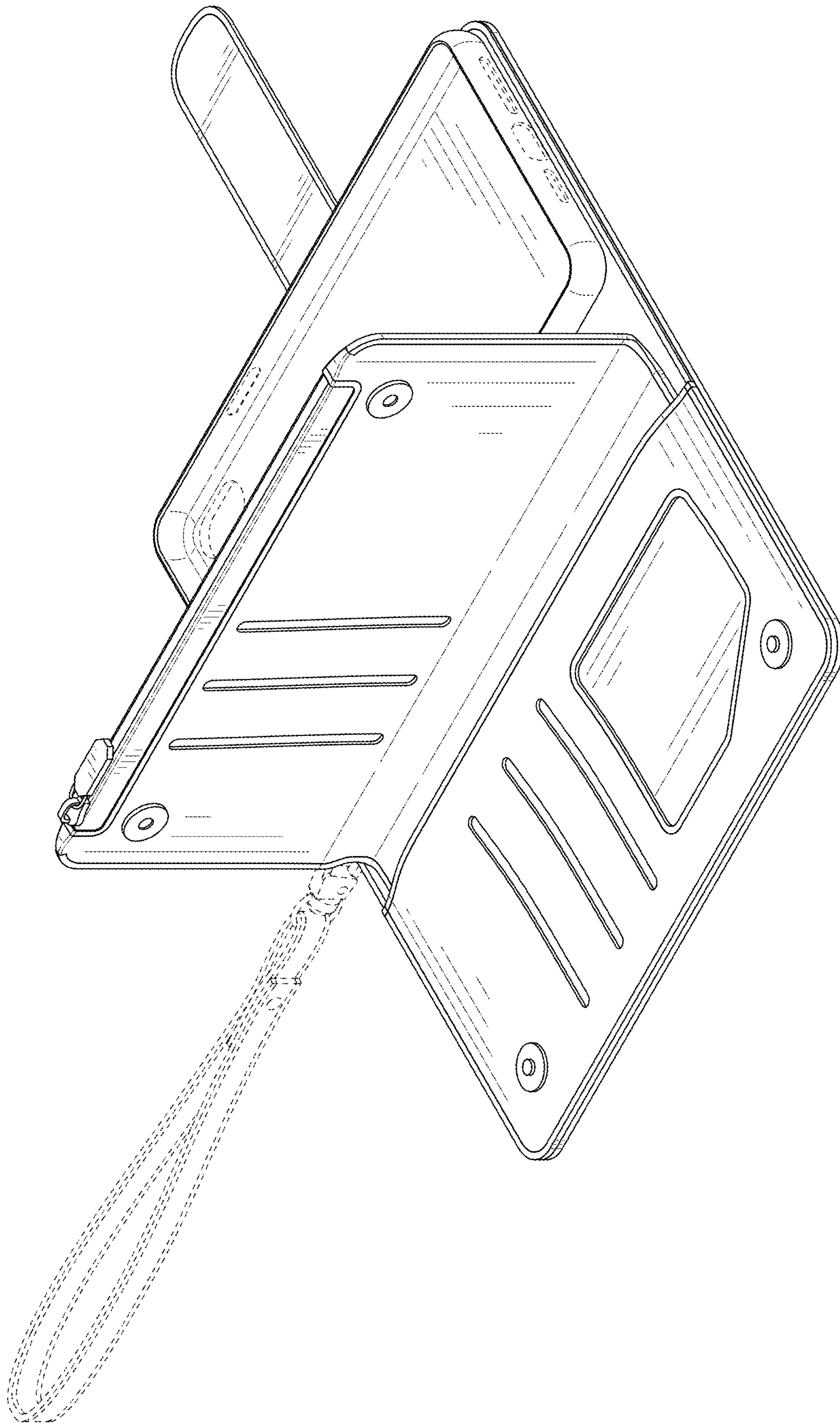


FIG. 1

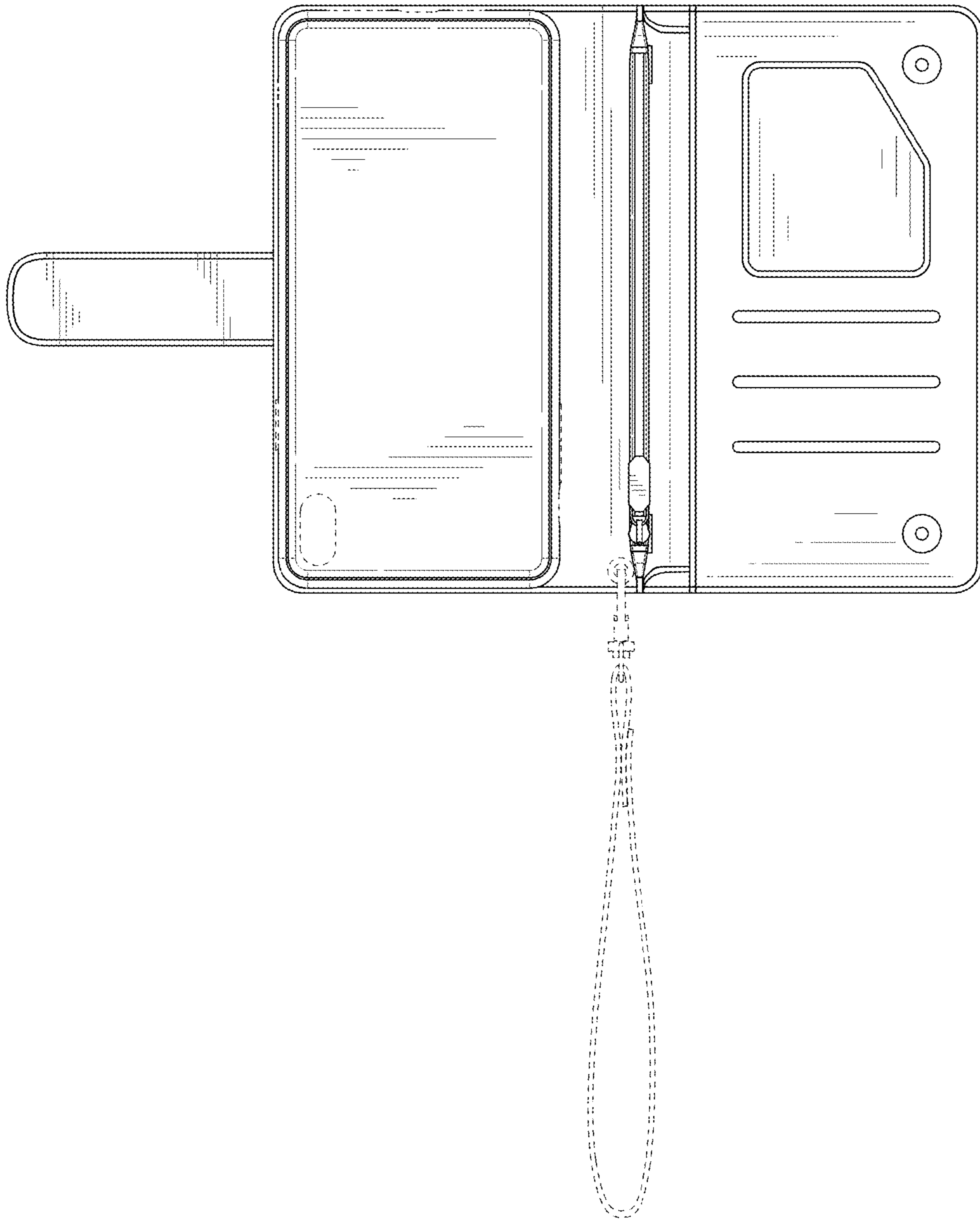


FIG. 2

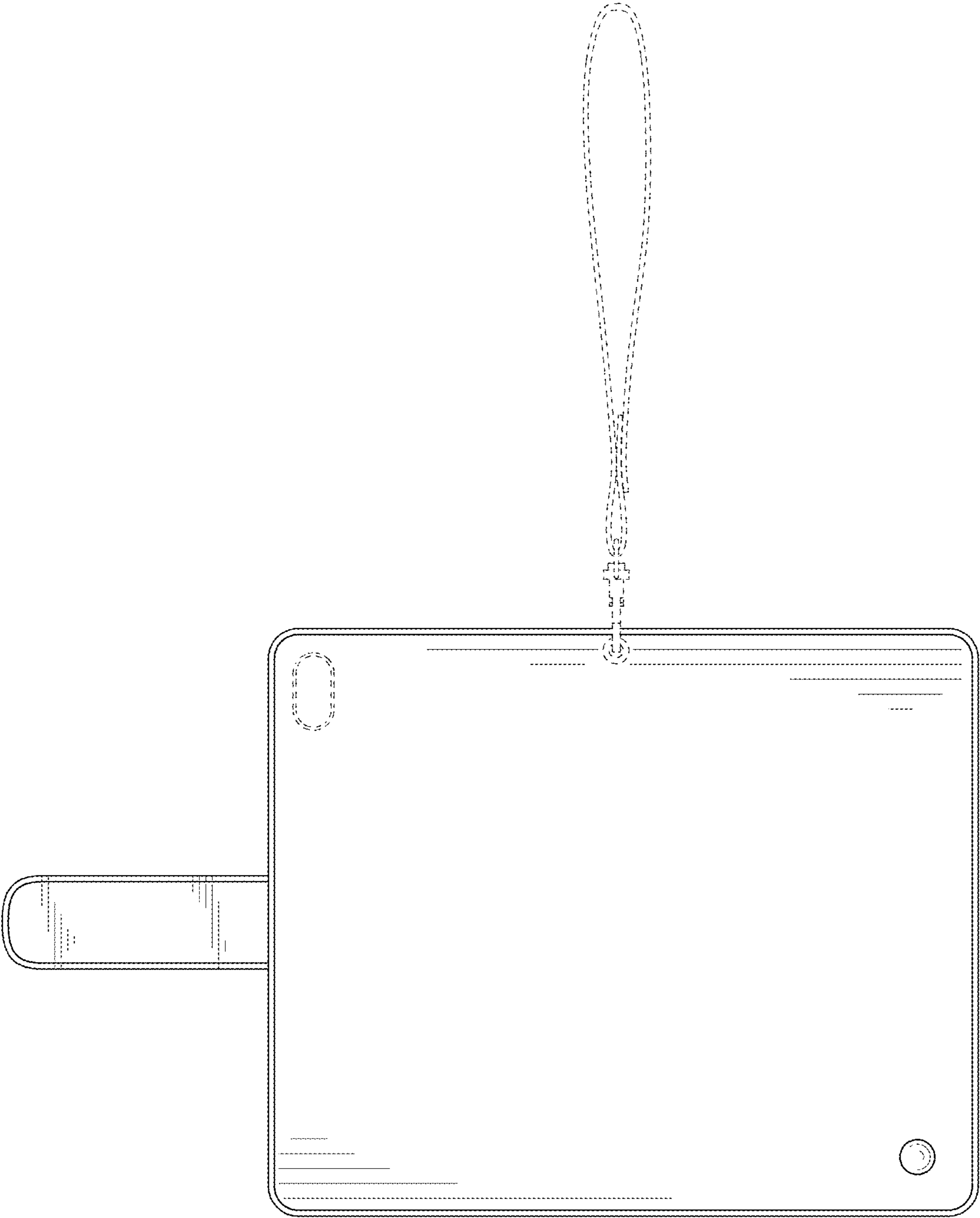


FIG. 3

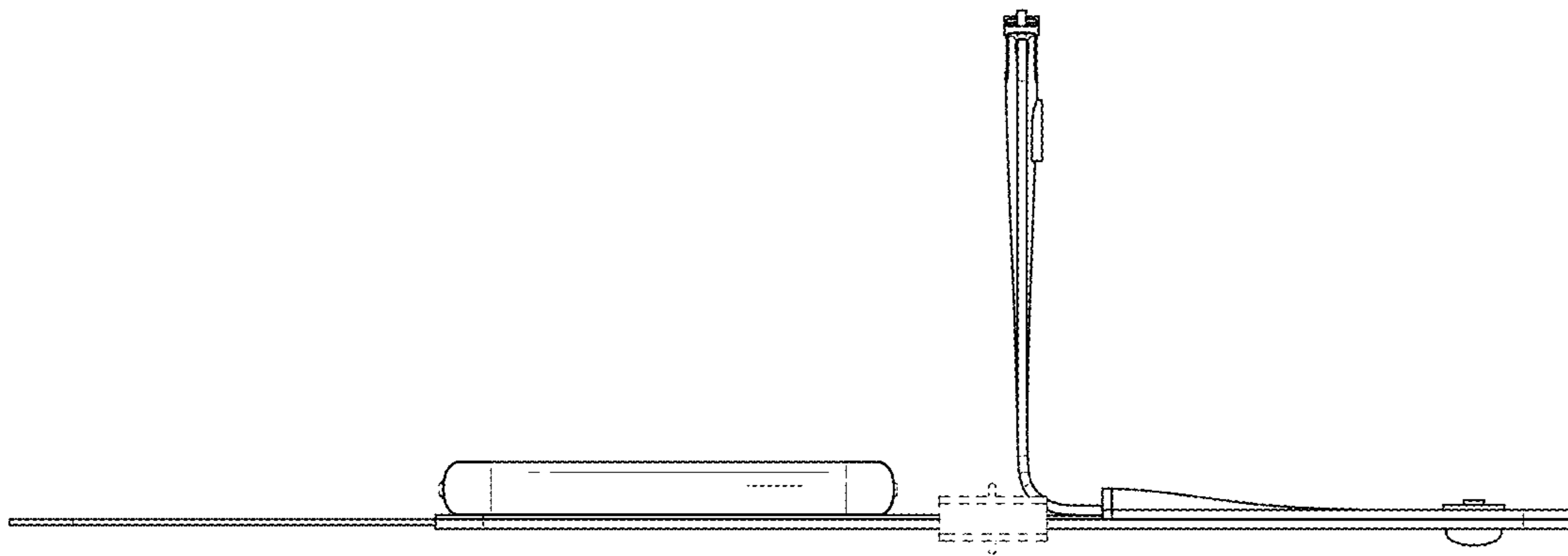


FIG. 4

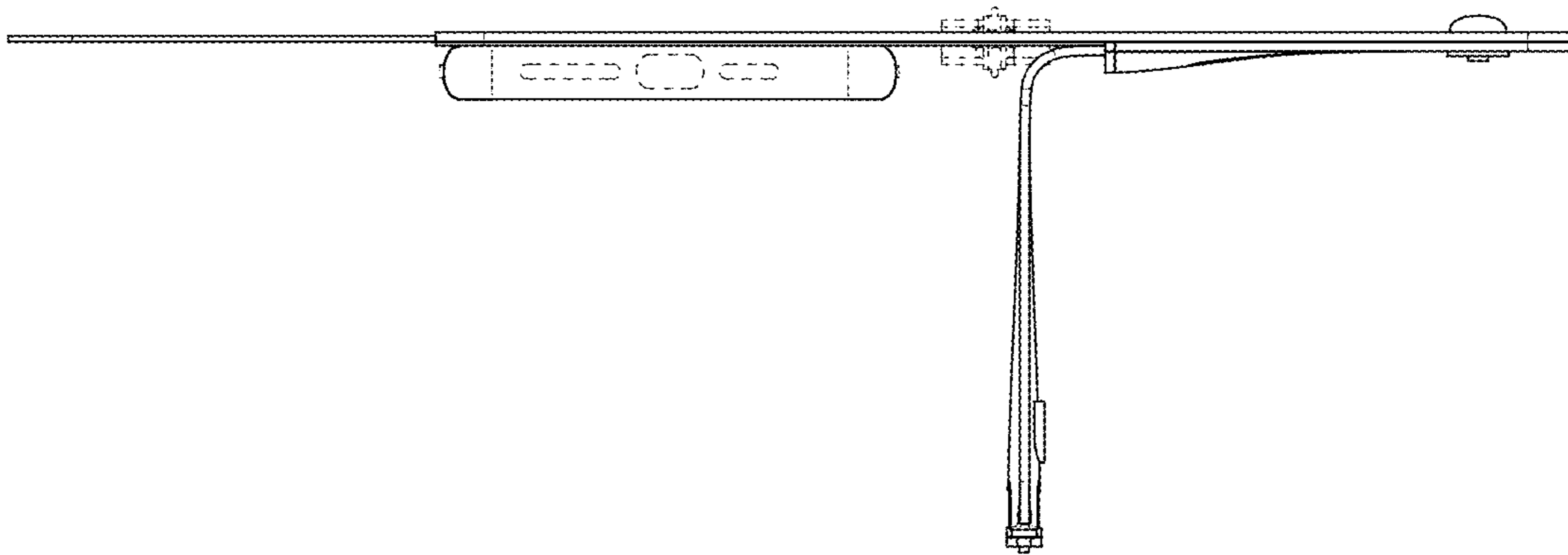


FIG. 5

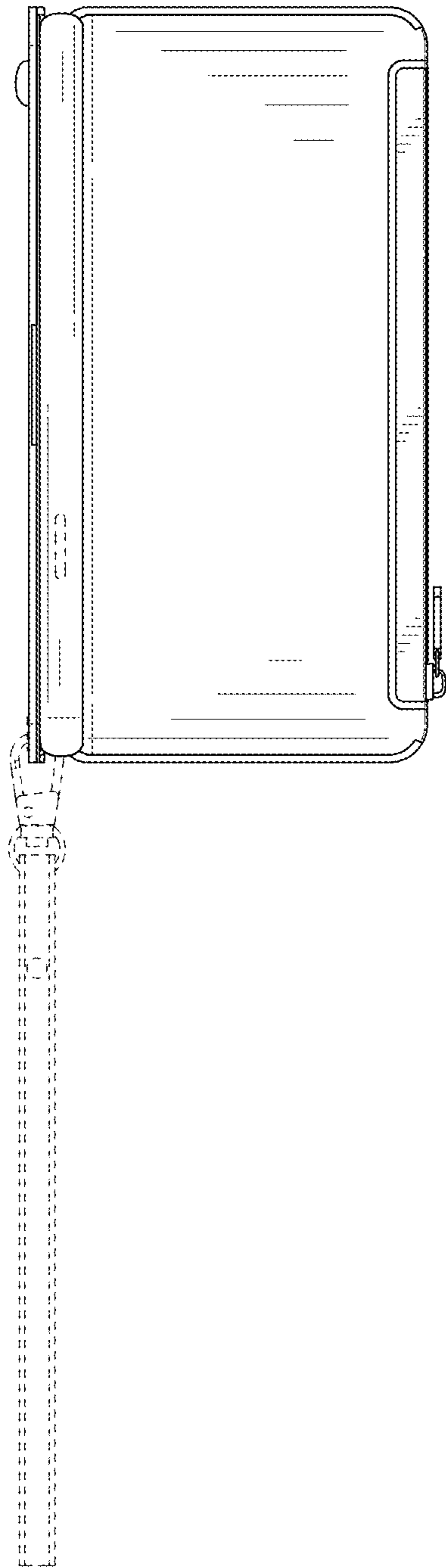


FIG. 6

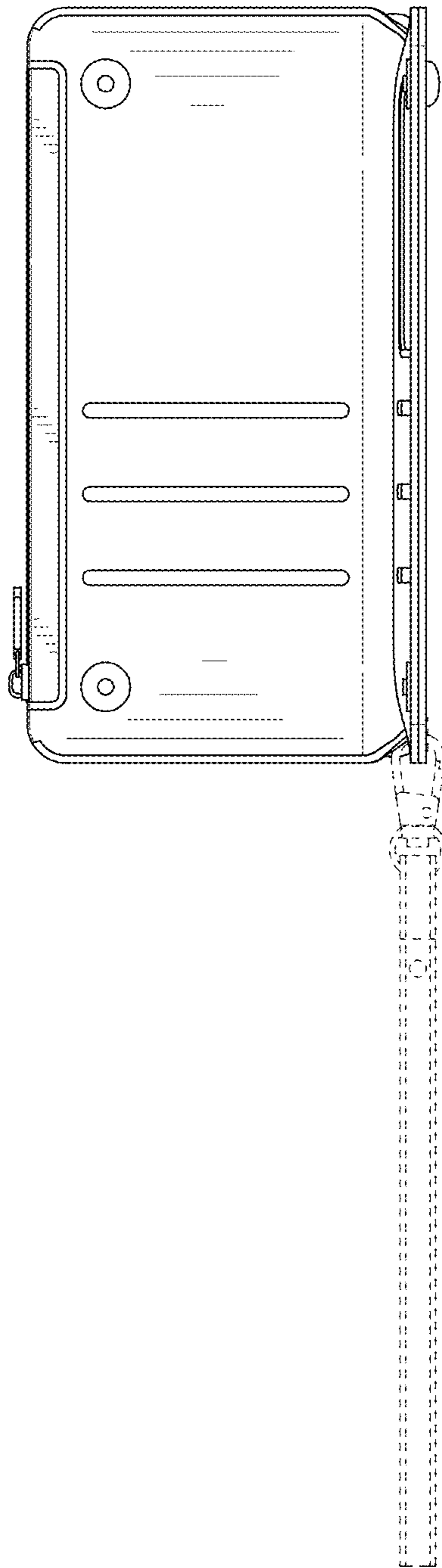


FIG. 7

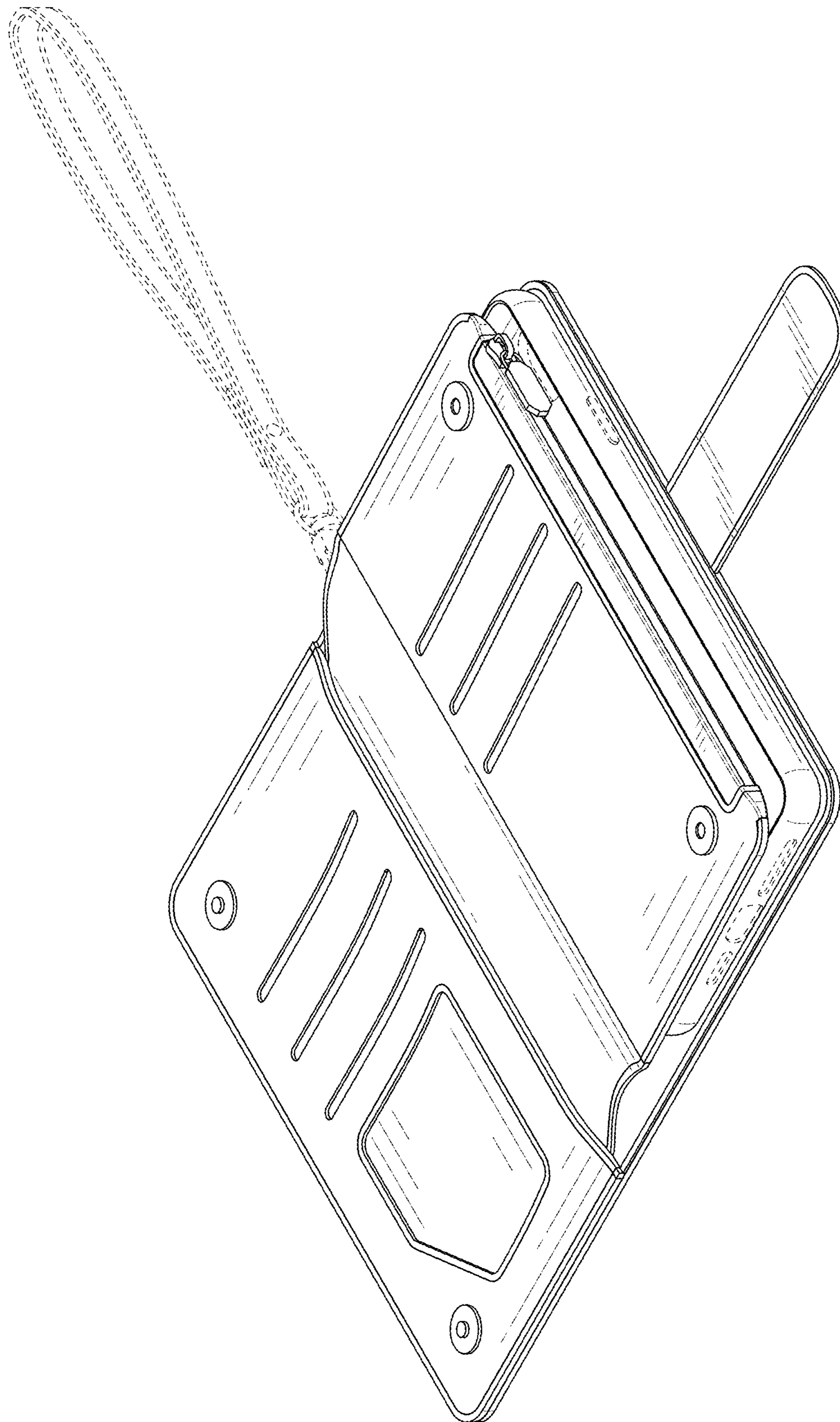


FIG. 8

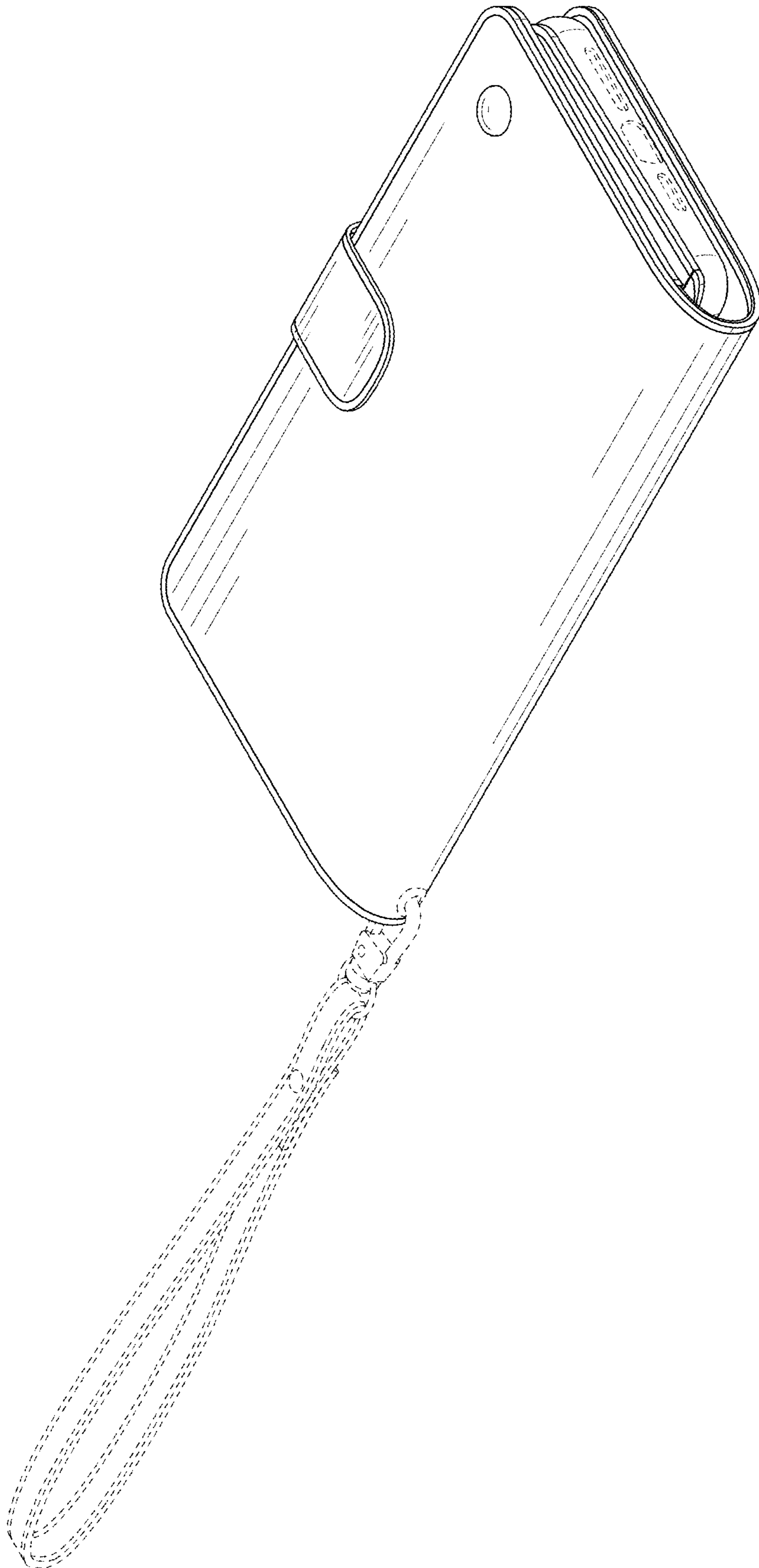


FIG. 9

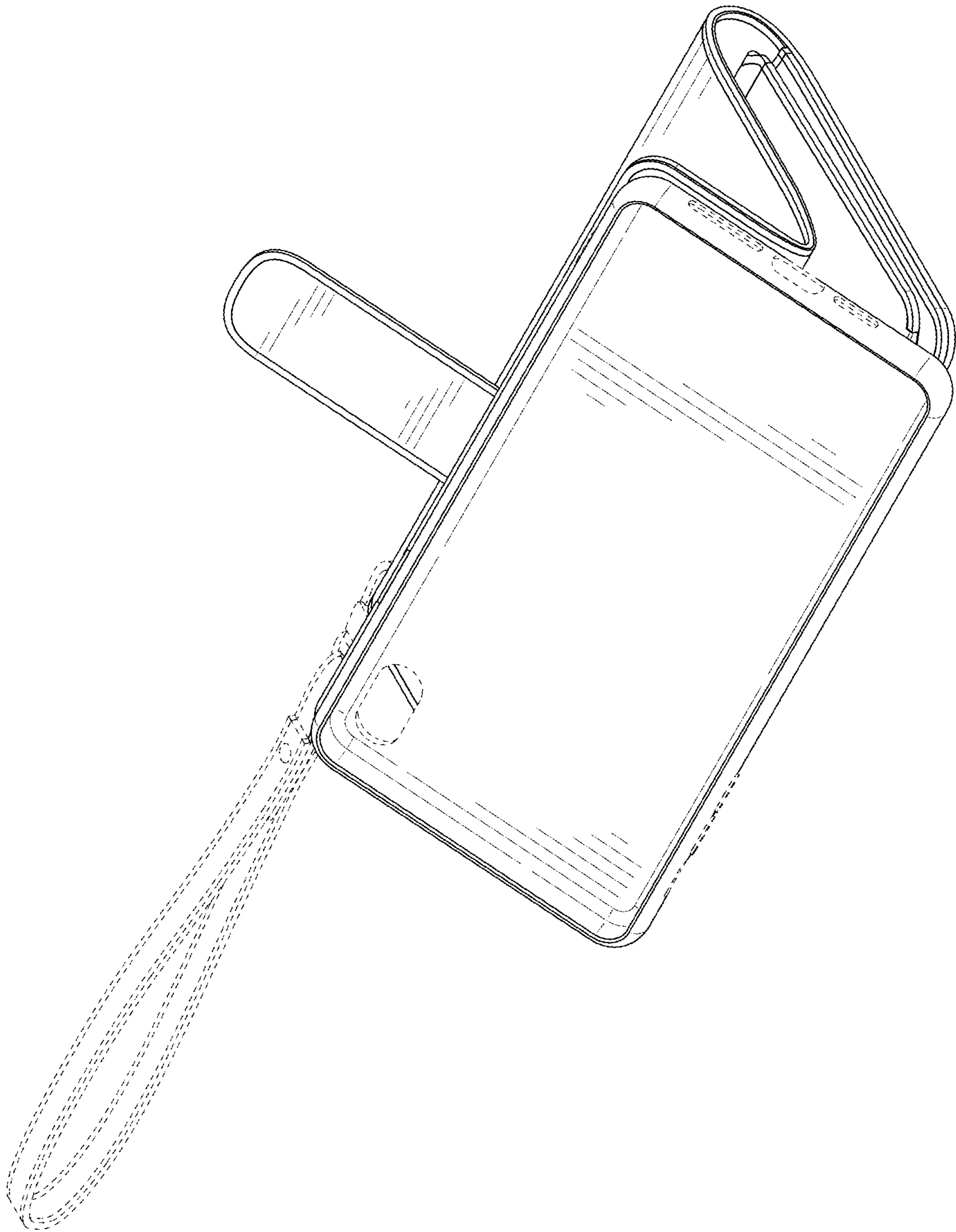


FIG. 10

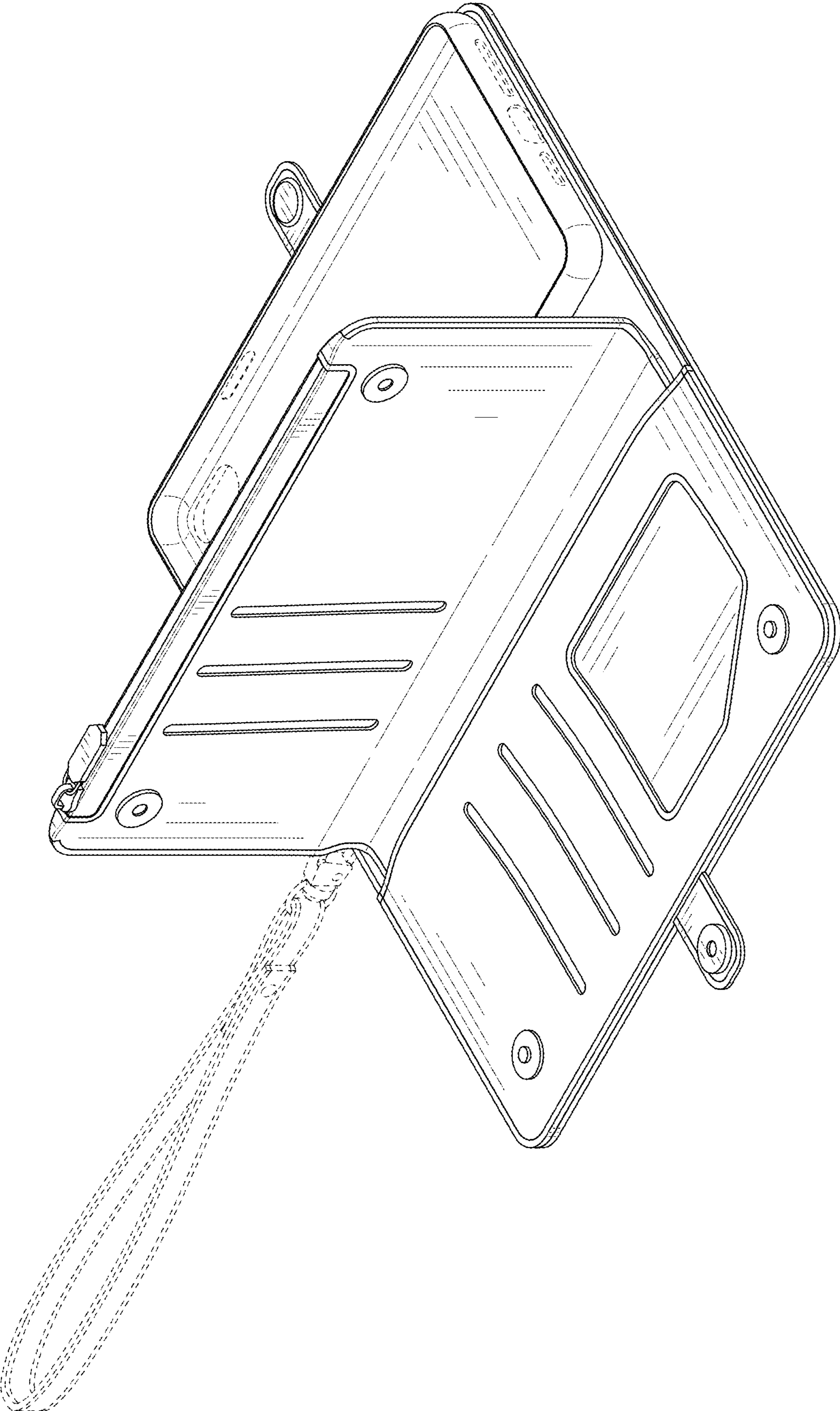


FIG. 11

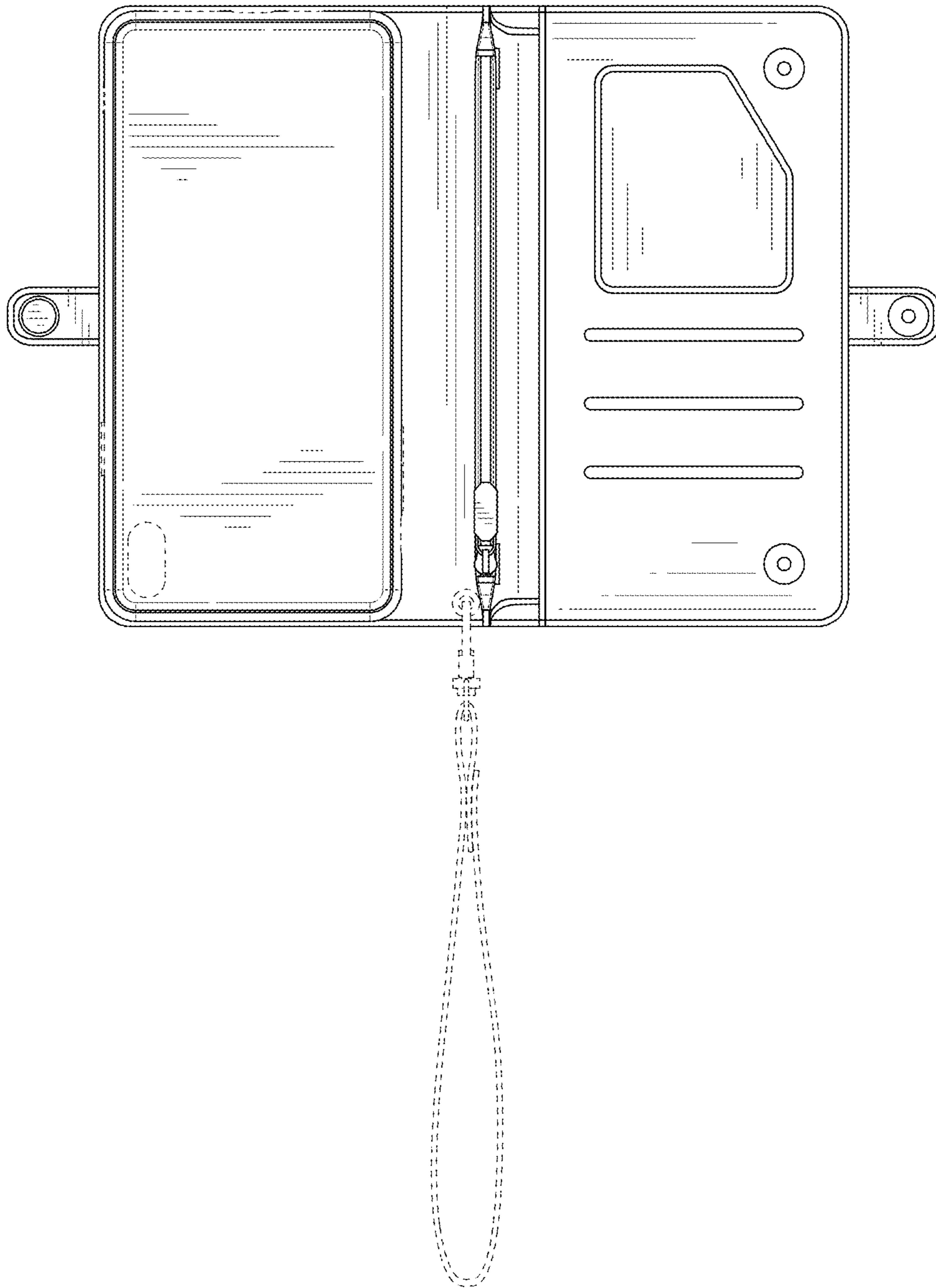


FIG. 12

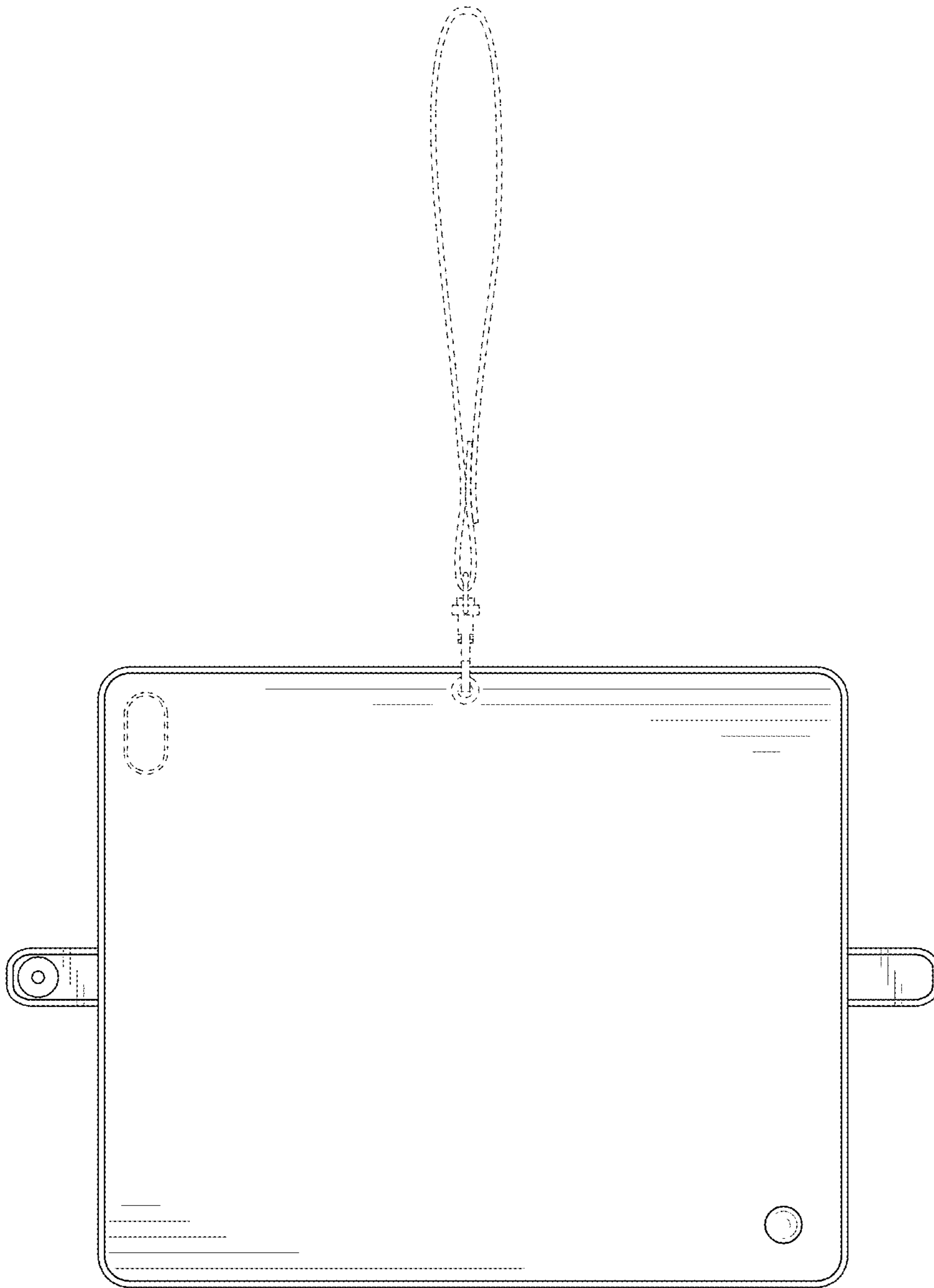


FIG. 13

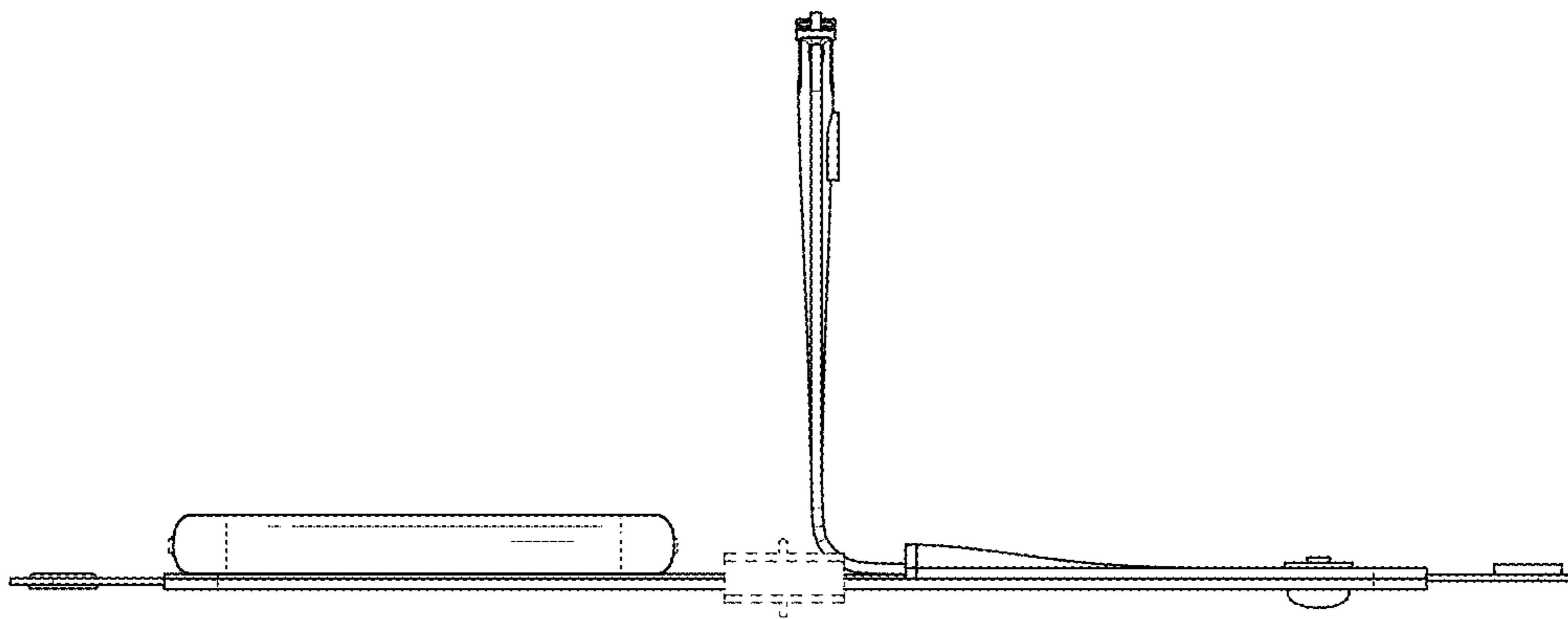


FIG. 14

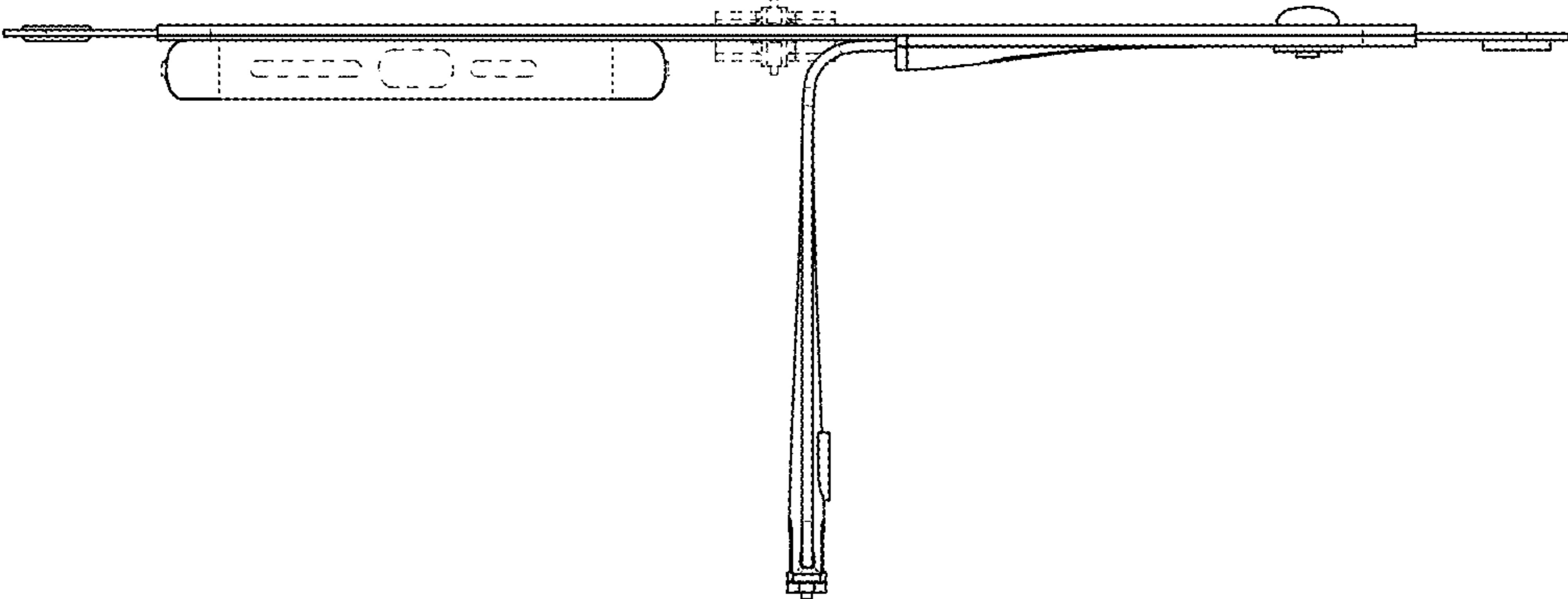


FIG. 15

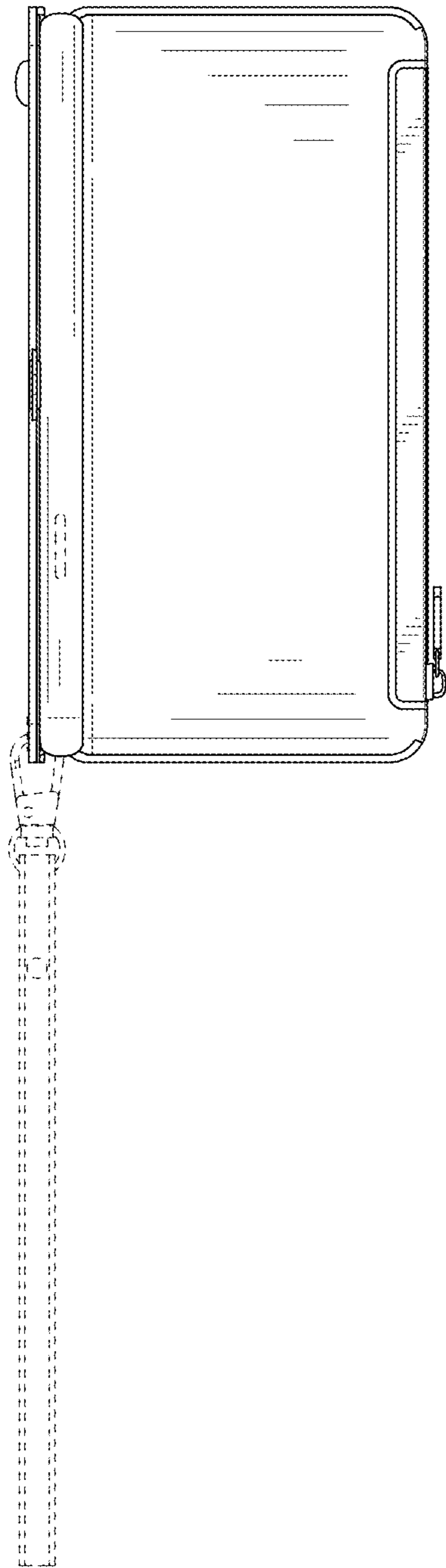


FIG. 16

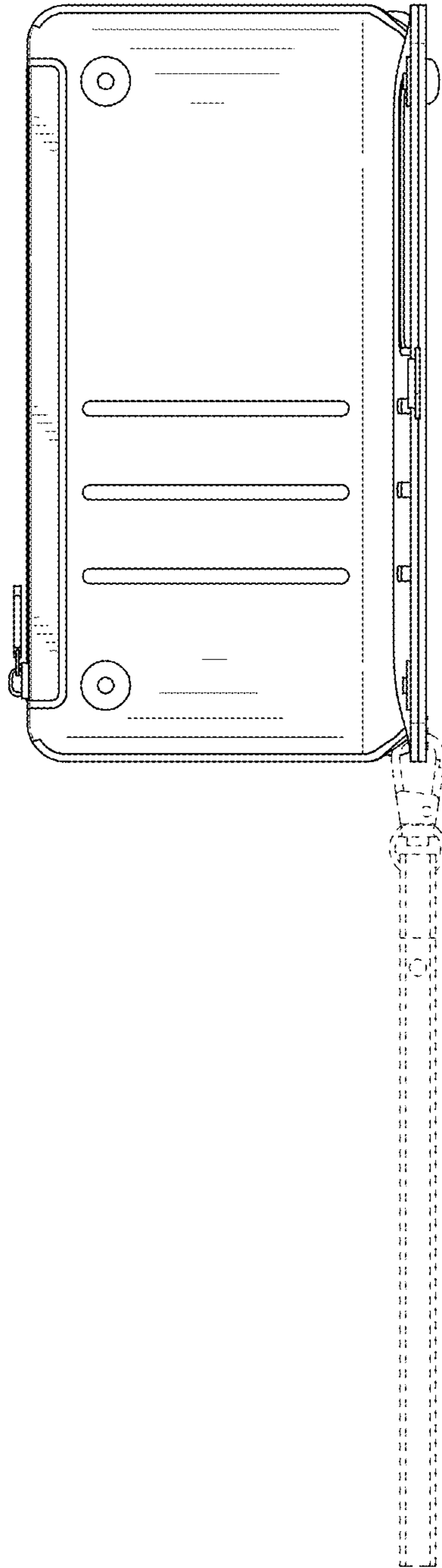


FIG. 17

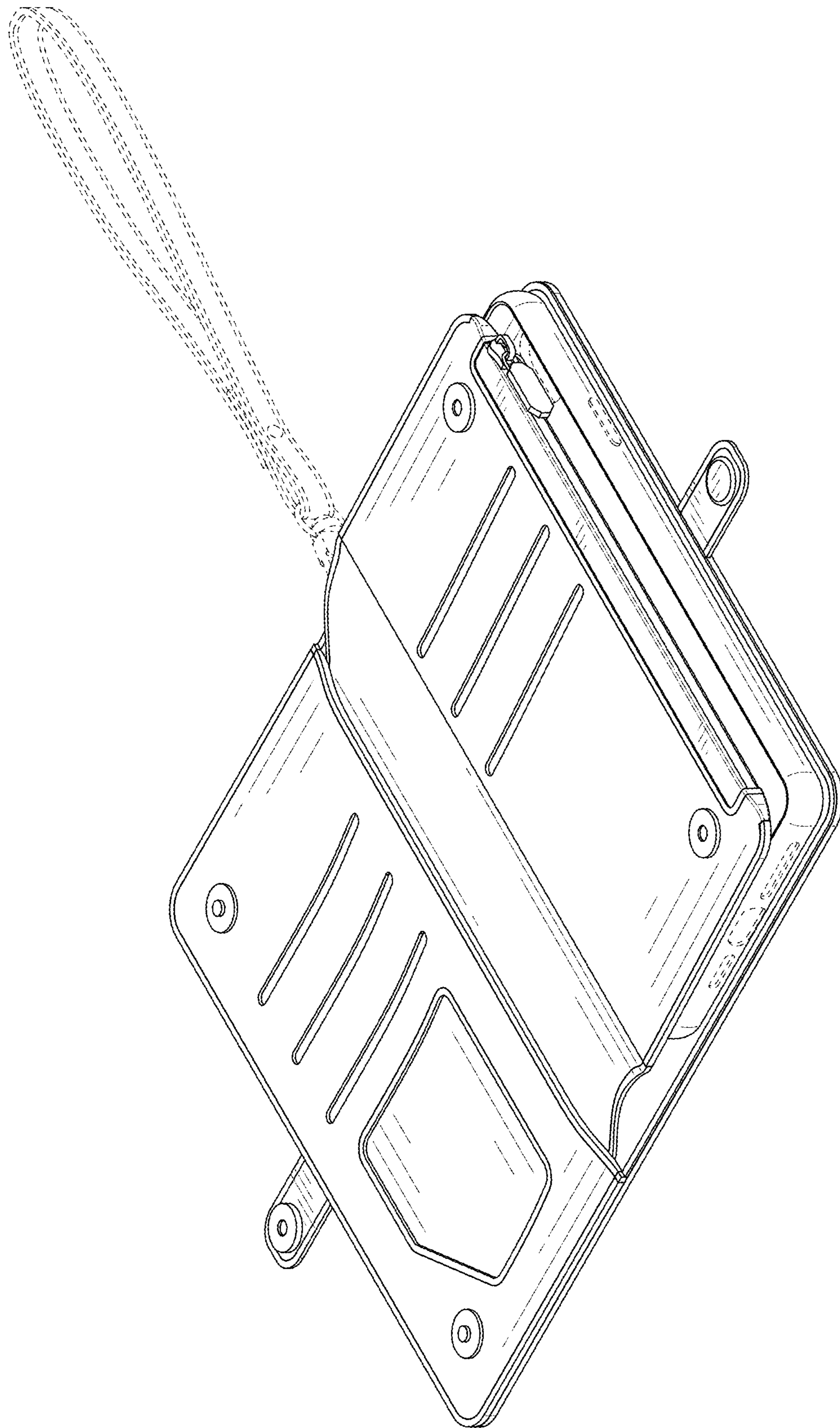


FIG. 18

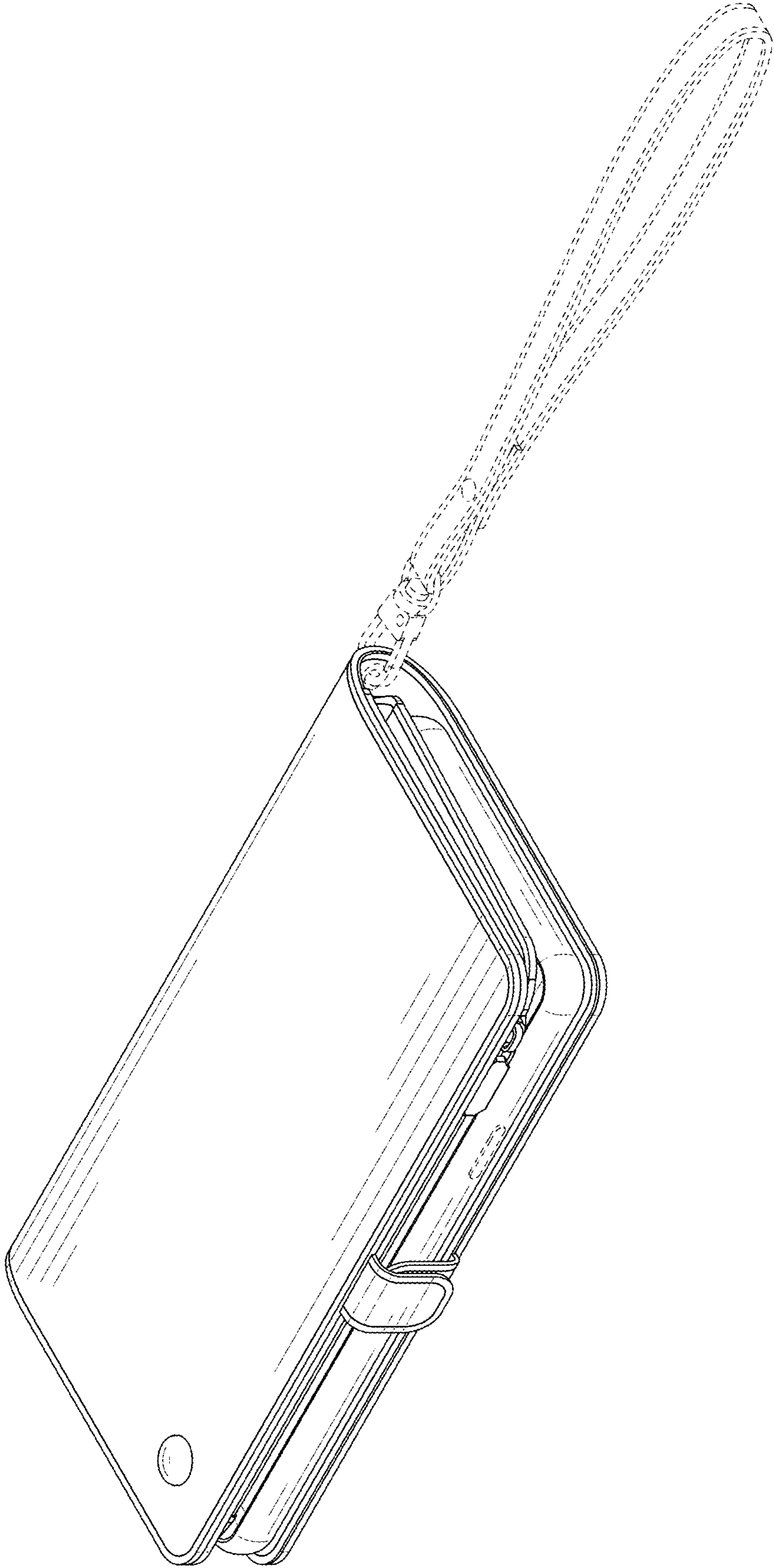


FIG. 19

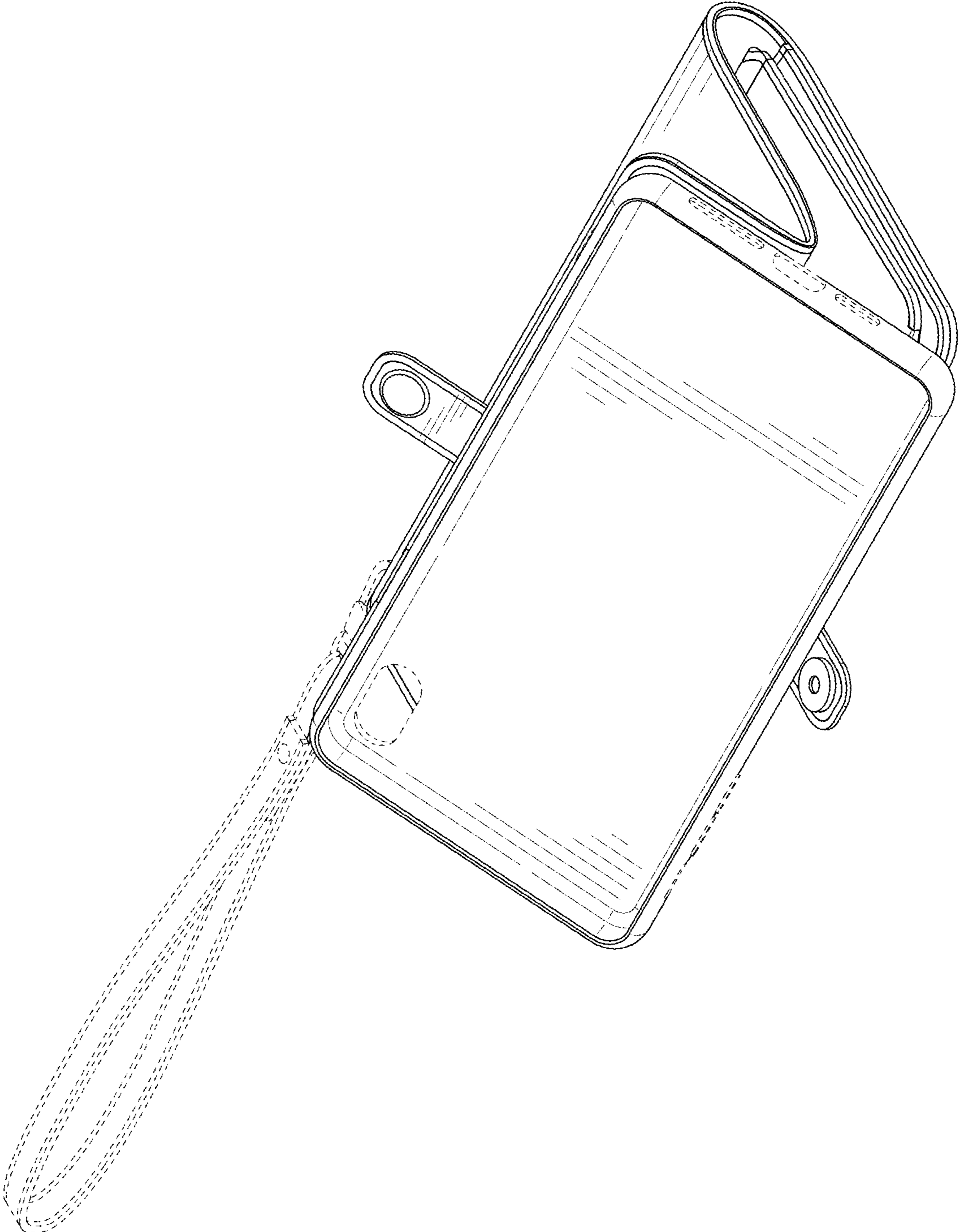


FIG. 20