



US00D892105S

(12) **United States Design Patent**  
**Ji et al.**

(10) **Patent No.:** **US D892,105 S**

(45) **Date of Patent:** **\*\* Aug. 4, 2020**

(54) **BENDING SUPPORT FOR DISPLAY PANEL**

(71) Applicant: **SAMSUNG DISPLAY CO., LTD.**,  
Yongin-si, Gyeonggi-do (KR)

(72) Inventors: **Seon Beom Ji**, Seoul (KR); **Jong Hyun Choi**, Seoul (KR); **Seung Min Lee**,  
Hwaseong-si (KR); **Dong Hwan Shim**,  
Hwaseong-si (KR)

(73) Assignee: **Samsung Display Co., Ltd.**, Yongin-si  
(KR)

(\*\*) Term: **15 Years**

(21) Appl. No.: **29/688,608**

(22) Filed: **Apr. 23, 2019**

(30) **Foreign Application Priority Data**

Oct. 24, 2018 (KR) ..... 30-2018-0049068  
Oct. 24, 2018 (KR) ..... 30-2018-0049069  
Oct. 24, 2018 (KR) ..... 30-2018-0049070

(51) **LOC (12) Cl.** ..... **14-03**

(52) **U.S. Cl.**  
USPC ..... **D14/250**; D8/382

(58) **Field of Classification Search**

USPC ..... D14/371-382, 125-129, 336, 337,  
D14/447-452, 492, 335, 239, 457,  
D14/439-441, 432, 251-253; D8/349,  
D8/354, 363, 367, 372, 373, 376, 380,  
D8/382; D21/333; D12/415; D3/10,  
D3/218; 348/180, 184, 325, 739, 825;  
248/323, 278.1, 286.1  
CPC ..... G06F 3/0412; G06F 3/016; G06F 3/0488;  
G06F 3/011; G06F 3/038; G06F 3/03543;  
G06F 3/0338; G06F 3/0202; G06F  
3/0219; G06F 3/0213; G06F 1/1616;  
G06F 3/023; G06F 3/04883; G02F  
1/13338; G02F 1/1313; G02F 1/1333;  
G02F 1/135; G02F 1/132; G02F  
1/133308; G02F 1/134309; G02F  
1/13718; G09G 3/3648; G06K 15/1252;

B41J 2/465; G03F 7/70291; G02B  
27/0172; G02B 5/30; G02B 2027/0118;  
G02B 27/0101; F16M 13/02; F16M  
13/00; F16M 11/10; F16M 11/04; F16M  
2200/08; F16M 11/2021; A47B 21/0314;  
A47B 88/044; A47B 2021/0335; H02G  
3/126; F16B 47/00; F16B 47/006; A47G  
1/17; A47K 2201/00

See application file for complete search history.

(56) **References Cited**

U.S. PATENT DOCUMENTS

D471,793 S \* 3/2003 Wall ..... D25/119  
D551,542 S \* 9/2007 Gallien ..... D8/373  
D660,688 S \* 5/2012 Kosir ..... D8/373  
D666,484 S \* 9/2012 Heindl ..... D8/382

(Continued)

FOREIGN PATENT DOCUMENTS

KR 10-1212172 12/2012  
KR 10-2017-0049713 5/2017

*Primary Examiner* — Katie Jane Stofko

(74) *Attorney, Agent, or Firm* — Lewis Roca Rothgerber  
Christie LLP

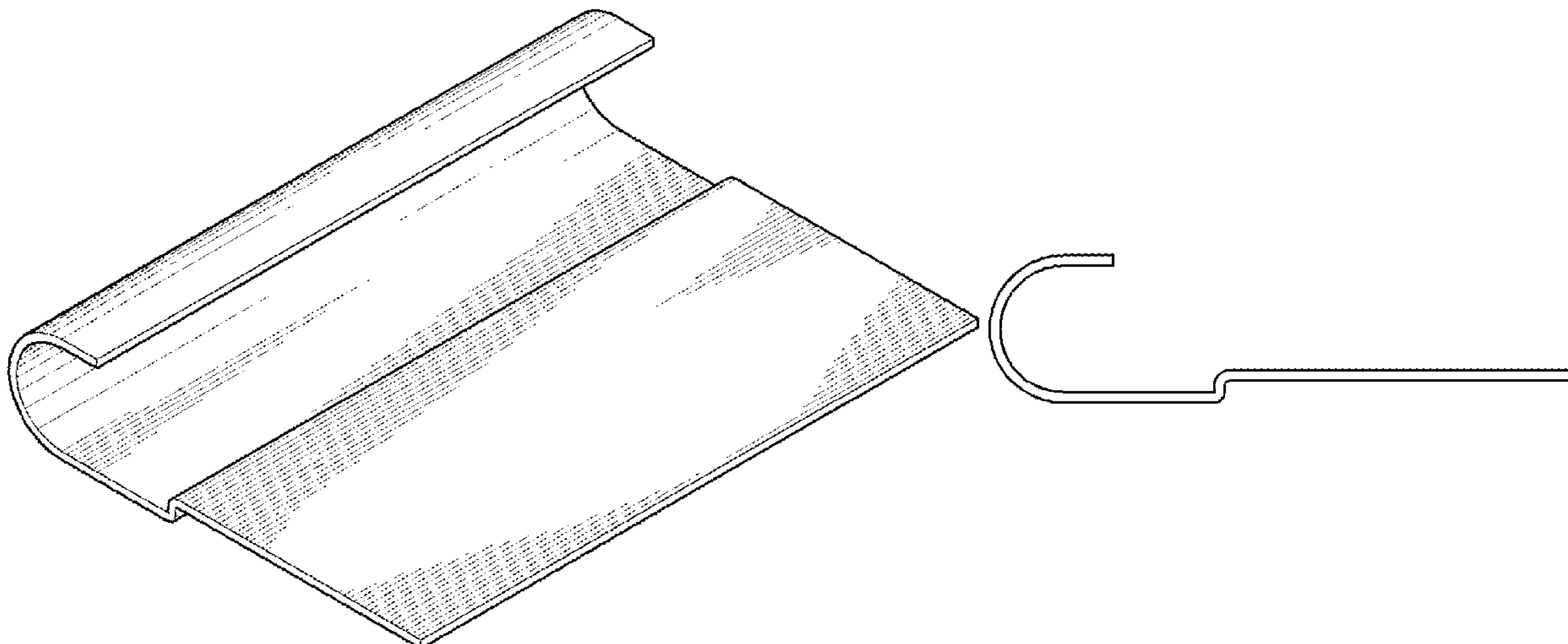
(57) **CLAIM**

The ornamental design for a bending support for display  
panel, as shown and described.

**DESCRIPTION**

FIG. 1 is a perspective view of a bending support for display  
panel;  
FIG. 2 is a front view thereof;  
FIG. 3 is a rear view thereof;  
FIG. 4 is a left side view thereof;  
FIG. 5 is a right side view thereof;  
FIG. 6 is a top view thereof; and,  
FIG. 7 is a bottom view thereof.

**1 Claim, 5 Drawing Sheets**



(56)

**References Cited**

U.S. PATENT DOCUMENTS

D681,424 S *	5/2013	Heindl .....	D8/382
D681,427 S *	5/2013	Heindl .....	D8/382
D737,673 S *	9/2015	McShane .....	D8/382
D738,198 S *	9/2015	Kidd .....	D8/367
D753,472 S *	4/2016	Pan .....	D8/371
9,425,418 B2	8/2016	Kwon et al.	
D811,865 S *	3/2018	Heindl .....	D8/382
D820,670 S *	6/2018	Heindl .....	D8/382
D832,091 S *	10/2018	Heindl .....	D8/382
D836,427 S *	12/2018	Heindl .....	D8/382

\* cited by examiner

FIG. 1

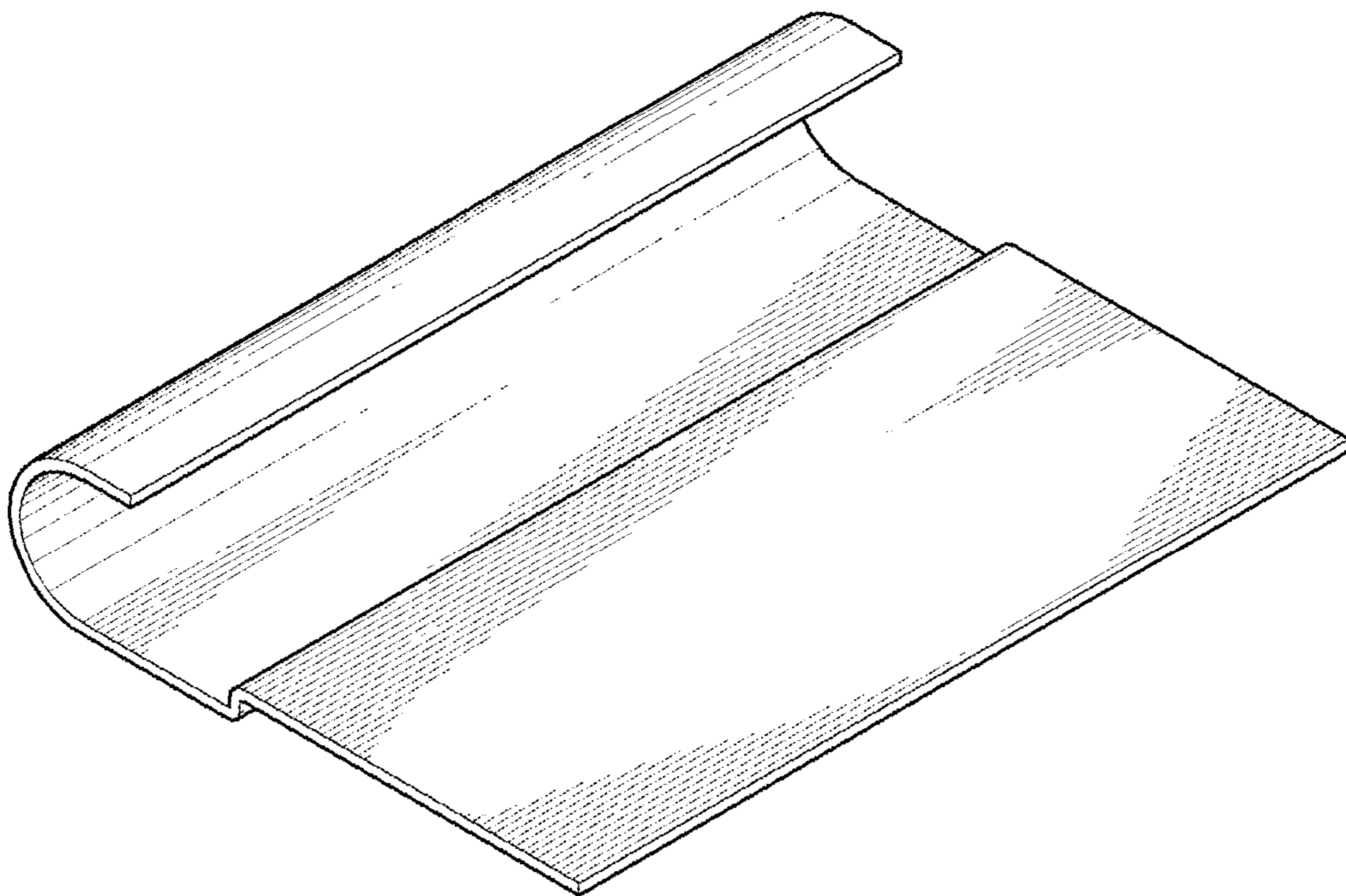


FIG. 2

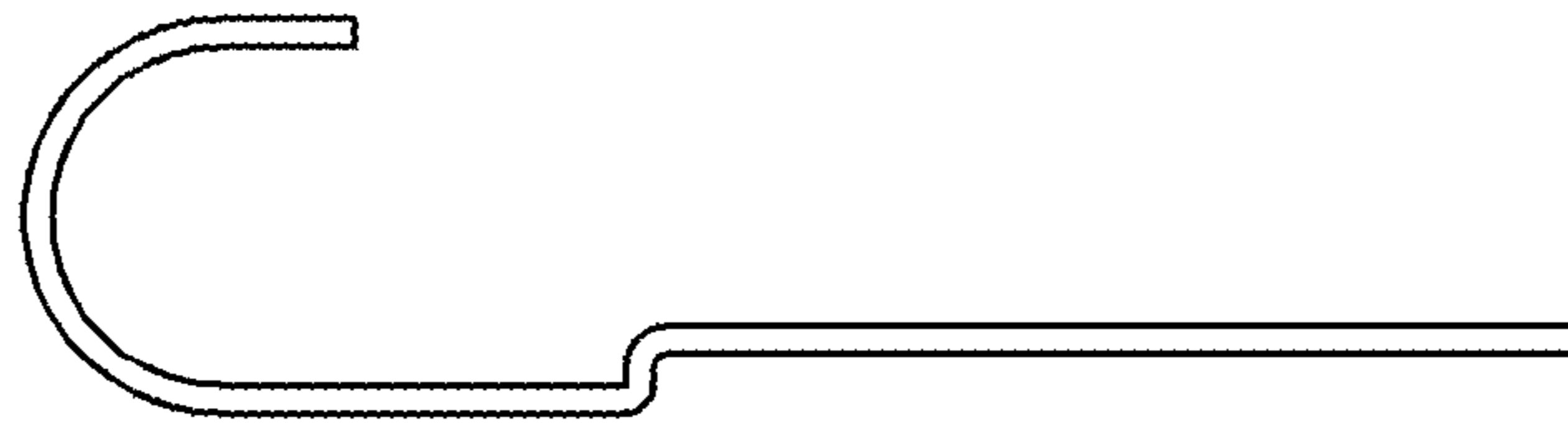


FIG. 3

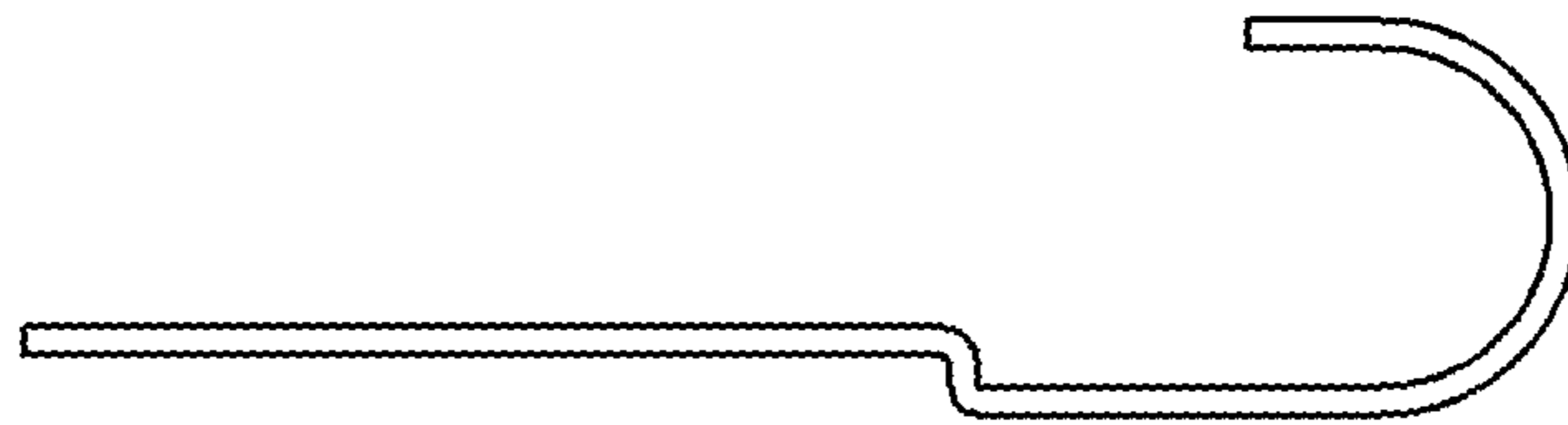


FIG. 4

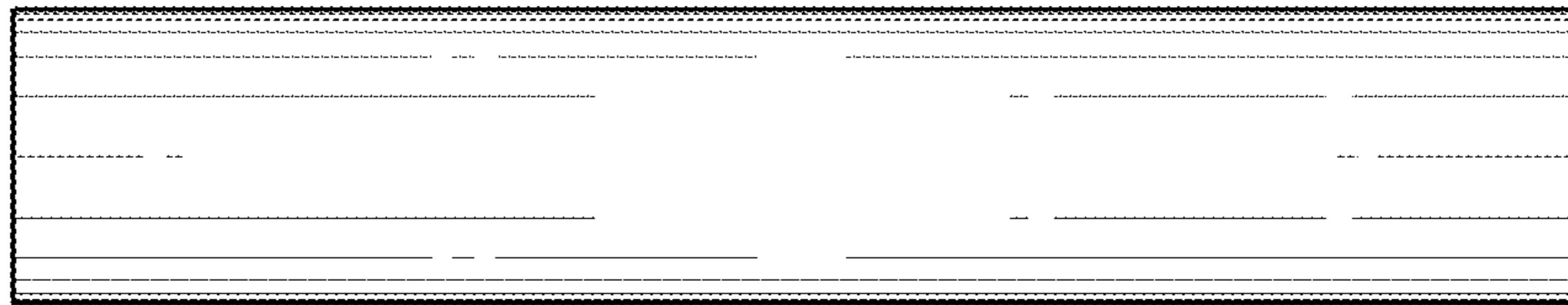


FIG. 5

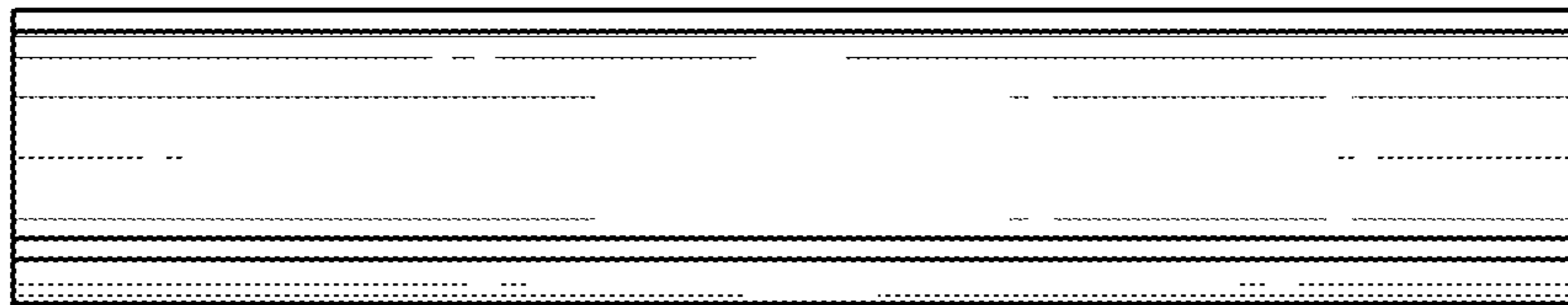


FIG. 6

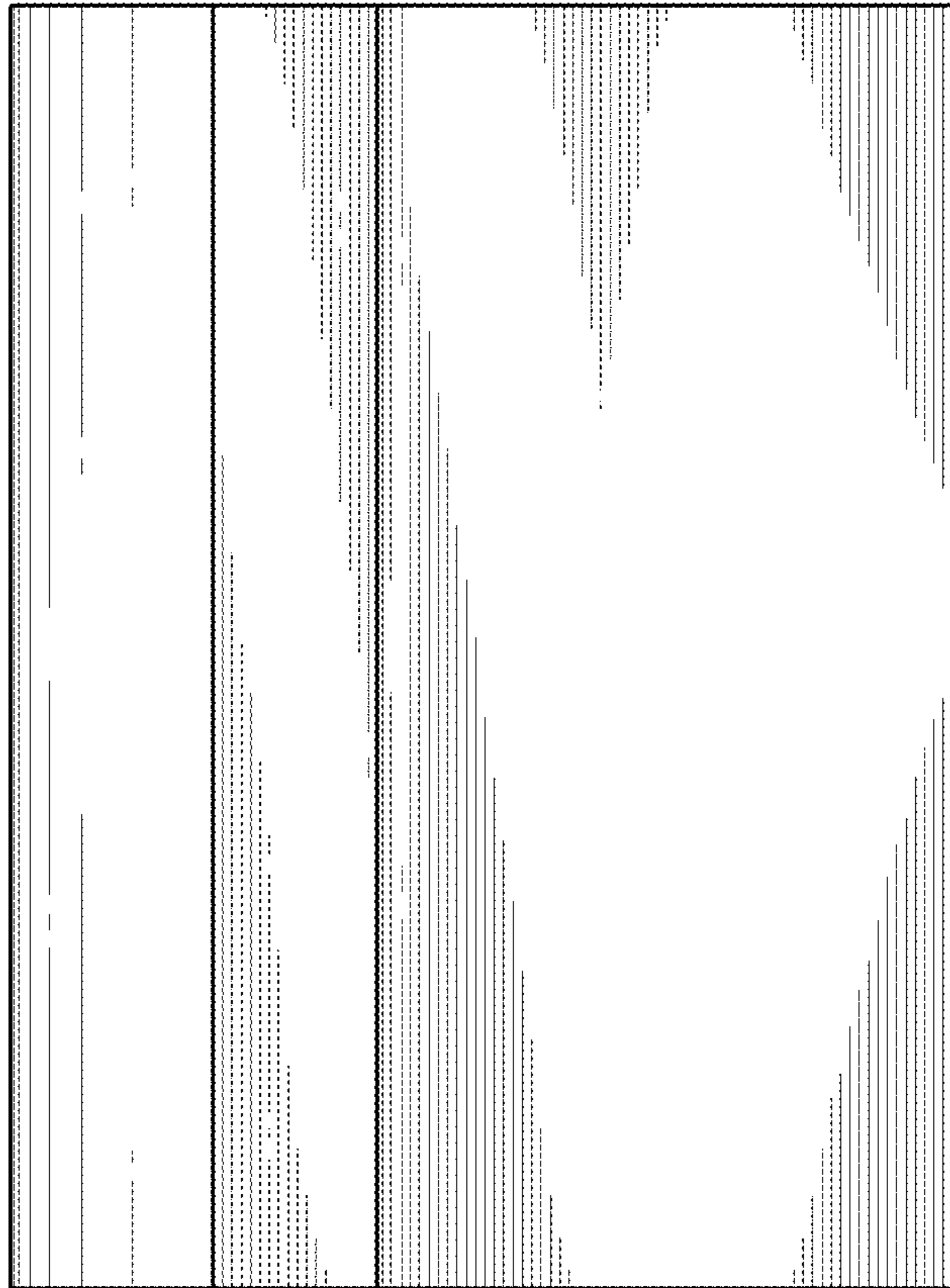


FIG. 7

