



US00D892104S

(12) **United States Design Patent** (10) **Patent No.:** **US D892,104 S**  
**Lee** (45) **Date of Patent:** **\*\* Aug. 4, 2020**

- (54) **CASE FOR ELECTRONIC COMMUNICATIONS DEVICE**
- (71) Applicant: **SPIGEN KOREA CO., LTD.**, Seoul (KR)
- (72) Inventor: **Jong Hwa Lee**, Seoul (KR)
- (73) Assignee: **SPIGEN KOREA CO., LTD.**, Seoul (KR)
- (\*\*) Term: **15 Years**
- (21) Appl. No.: **29/681,018**
- (22) Filed: **Feb. 21, 2019**
- (51) **LOC (12) Cl.** ..... **14-03**
- (52) **U.S. Cl.**  
USPC ..... **D14/250**
- (58) **Field of Classification Search**  
USPC ..... D14/439, 203.3–203.7, 447, 238.1,  
D14/251–253, 217, 240, 250, 440, 248;  
D3/201, 218, 247, 269, 273, 301, 303;  
D13/107–108, 103, 119  
CPC ..... H04B 1/3888; H04M 1/0283;  
H04M 1/0202; A45C 1/06; A45C 11/00;  
A45C 13/02; A45C 2011/002; A45F  
2005/026; A45F 2200/0525; A45F  
2200/0516  
See application file for complete search history.

- D711,312 S \* 8/2014 Tien ..... D13/103
- D712,832 S 9/2014 Hong et al.
- D714,276 S 9/2014 Hu et al.
- D723,531 S \* 3/2015 Katzke ..... D14/250
- D746,805 S \* 1/2016 Kim ..... D14/250
- D761,775 S 7/2016 Pan et al.
- D765,633 S \* 9/2016 Northrup ..... D14/250
- D772,211 S 11/2016 Poon et al.
- D772,213 S 11/2016 Daniel et al.
- D772,855 S 11/2016 Ju
- D772,857 S 11/2016 Poon
- D773,445 S 12/2016 Witter et al.
- 9,565,910 B2 \* 2/2017 Magness ..... A45C 11/00
- D781,834 S \* 3/2017 Kim ..... D14/250
- D794,006 S 8/2017 Dong
- D800,712 S 10/2017 Lai et al.
- D806,692 S \* 1/2018 Jia ..... D14/250
- D807,868 S 1/2018 Wang
- D808,376 S \* 1/2018 Kim ..... D14/250
- D808,377 S 1/2018 Witter et al.
- D812,373 S 3/2018 Hildebrand et al.
- D815,082 S \* 4/2018 Kim ..... D14/250
- D815,083 S 4/2018 Fitzgerald et al.
- D823,293 S 7/2018 Kim et al.
- D823,296 S \* 7/2018 Kim ..... D14/250
- D823,298 S 7/2018 Kim et al.
- D829,702 S \* 10/2018 Jung ..... D14/250
- D830,353 S 10/2018 Kim et al.
- D834,572 S \* 11/2018 Jung ..... D14/250
- D835,090 S 12/2018 Beck et al.
- D838,710 S 1/2019 Wang
- D839,862 S \* 2/2019 Hyun ..... D14/250
- D843,995 S \* 3/2019 Skovsted ..... D14/250
- D845,943 S \* 4/2019 Skovsted ..... D14/250
- D850,433 S \* 6/2019 Luo ..... D14/250
- 2013/0271897 A1 \* 10/2013 Limber ..... H04B 1/3888  
361/679.01
- 2016/0142522 A1 \* 5/2016 Kim ..... A45C 11/00  
455/575.8

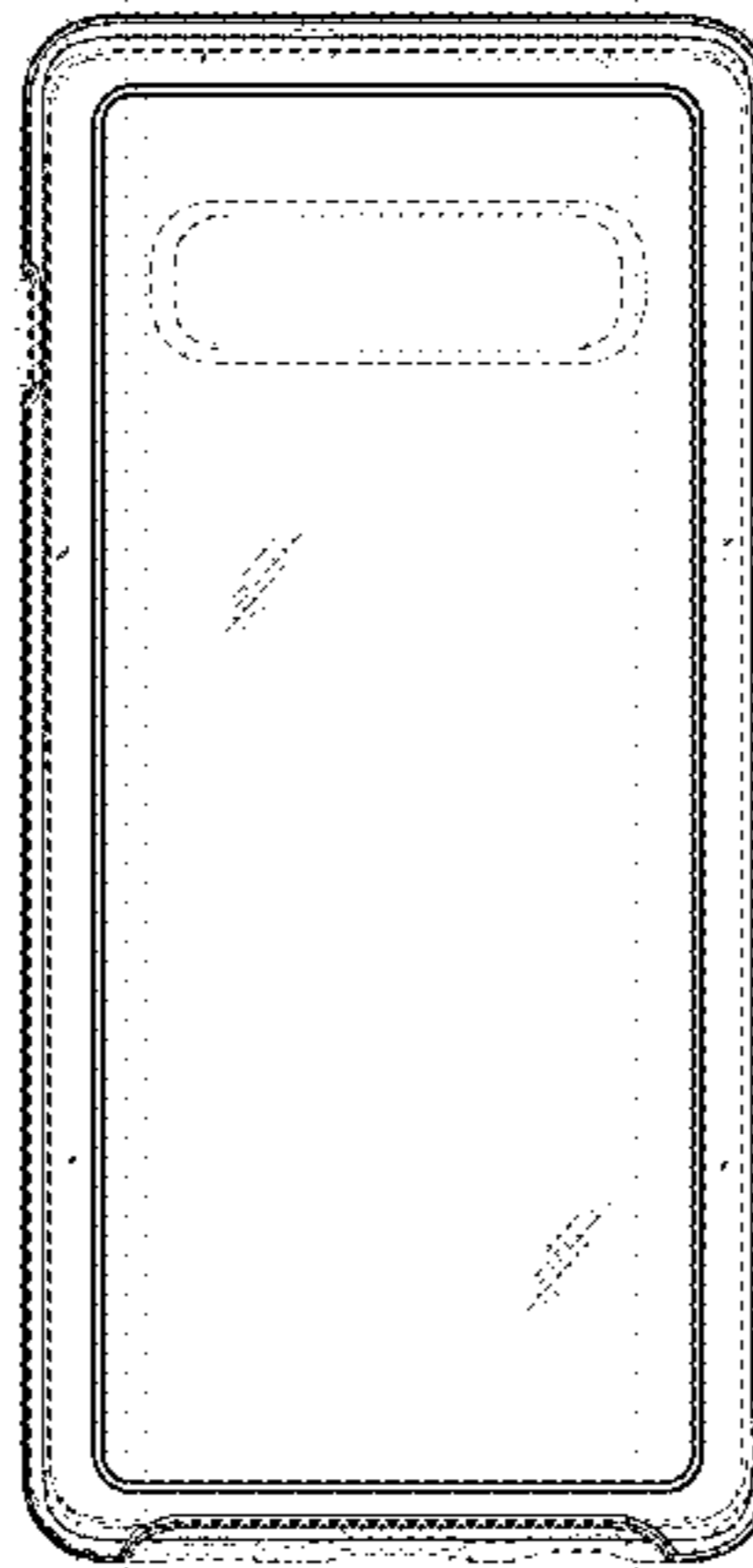
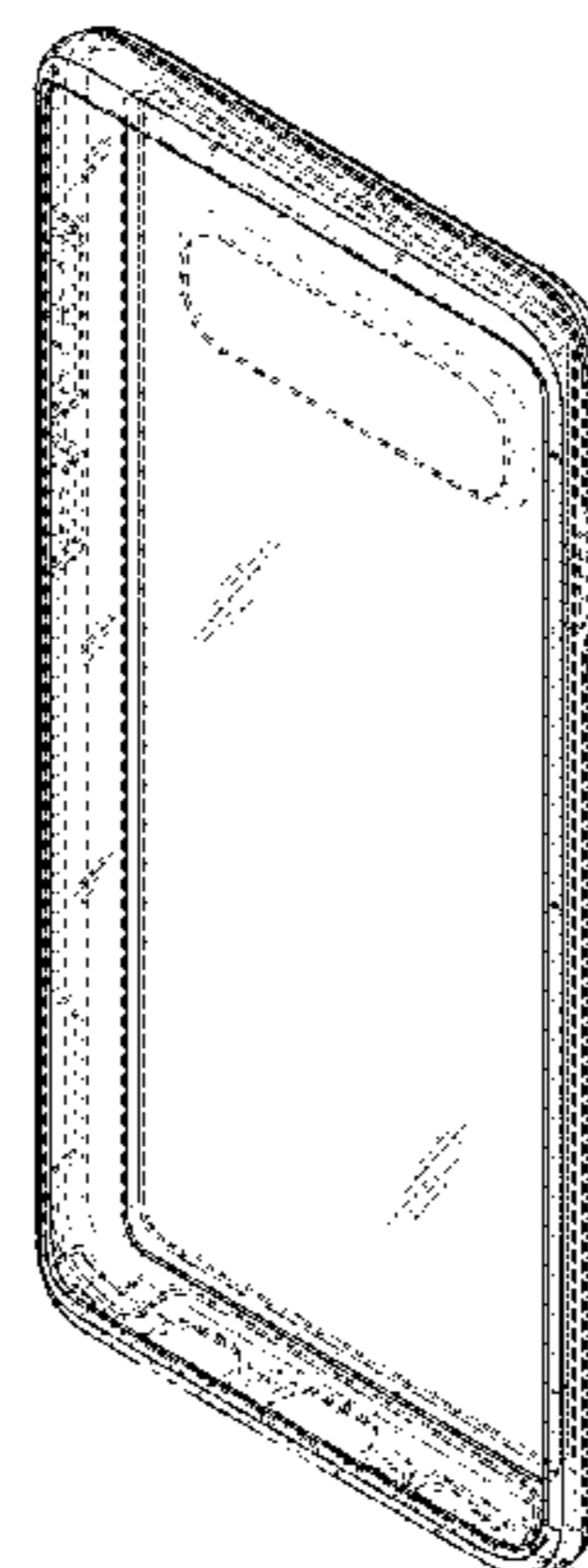
(56) **References Cited**

**U.S. PATENT DOCUMENTS**

- D636,387 S \* 4/2011 Willes ..... D14/250
- D638,006 S \* 5/2011 Chang ..... D14/250
- D644,217 S \* 8/2011 Richardson ..... D14/250
- D669,458 S 10/2012 Wilson et al.
- 8,342,325 B2 \* 1/2013 Rayner ..... G06F 1/1626  
206/320
- D685,779 S \* 7/2013 Schriefer ..... D14/250
- D689,851 S \* 9/2013 Chang ..... D14/250
- D690,688 S \* 10/2013 Bau ..... D14/250
- D694,227 S \* 11/2013 Rayner ..... D14/250
- D703,652 S 4/2014 Melanson et al.
- D703,654 S 4/2014 Melanson et al.

**OTHER PUBLICATIONS**

- “Spigen Neo Hybrid CC Galaxy S6 Case with Flexible Inner Casing and Reinforced Hard Bumper Frame for Galaxy S6 2015—Satin Silver”, <https://www.amazon.com/dp/B00UMDOZLU>, Earliest review date of Mar. 25, 2015, Downloaded on Dec. 18, 2019.
- “Spigen Neo Hybrid CC Galaxy S6 Edge Case with Flexible Inner Casing and Reinforced Hard Bumper Frame for Galaxy S6 Edge 2015—Blue Topaz”, <https://www.amazon.com/dp/B00USAPGKQ>, Earliest review date of Apr. 4, 2015, Downloaded on Dec. 18, 2019.
- “Spigen Neo Hybrid Crystal Galaxy Note 5 Case with Flexible Inner Casing and Reinforced Hard Bumper Frame for Galaxy Note



5 2015—Champagne Gold”, <https://www.amazon.com/dp/B010MWIG1K>, Earliest review date of Aug. 22, 2015, Downloaded on Dec. 18, 2019.

“Spigen Neo Hybrid Crystal Galaxy S7 Edge Case with Flexible Inner Casing and Reinforced Hard Bumper Frame for Samsung Galaxy S7 Edge 2016—Satin Silver”, <https://www.amazon.com/dp/B01A7IDQV4>, Earliest review date of Feb. 22, 2016, Downloaded on Dec. 18, 2019.

“Spigen Neo Hybrid Crystal Galaxy S7 Case with Flexible Inner Casing and Reinforced Hard Bumper Frame for Samsung Galaxy S7 2016—Champagne Gold”, <https://www.amazon.com/dp/B01B29WCOY>, Earliest review date of Mar. 3, 2016 Downloaded on Dec. 18, 2019.

“Spigen Neo Hybrid Crystal iPhone SE Case with Flexible Inner Casing and Reinforced Hard Bumper Frame for iPhone SE 2016—Rose Gold”, <https://www.amazon.com/dp/B01BEJB7TI>, Earliest review date of Apr. 7, 2016, Downloaded on Dec. 18, 2019.

“Spigen Neo Hybrid Crystal LG G5 Case with Flexible Inner Casing and Reinforced Hard Bumper Frame for LG G5 2016—Champagne Gold”, <https://www.amazon.com/dp/B01B1GOKIC>, Earliest review date of Apr. 17, 2016, Downloaded on Dec. 18, 2019.

“Spigen Neo Hybrid Crystal iPhone 7 Plus Case with Flexible Casing and Hard Bumper Frame for Apple iPhone 7 Plus 2016—Champagne Gold”, <https://www.amazon.com/dp/B01G1WHKXI>, Earliest review date of Sep. 8, 2016, Downloaded on Dec. 18, 2019.

“Spigen Neo Hybrid Crystal iPhone 7 Case with Flexible Inner Casing and Reinforced Hard Bumper Frame for iPhone 1 2016—Rose”, <https://www.amazon.com/dp/B01GIVXVN2>, Earliest review date of Sep. 14, 2016, Downloaded on Dec. 18, 2019.

“Spigen Neo Hybrid Crystal Glitter Galaxy S8 Case with Flexible Inner Casing and Reinforced Hard Bumper Frame for Samsung Galaxy S8 (2017)—Space Quartz”, <https://www.amazon.com/dp/B06XP5KTXN>, Earliest review date of Apr. 15, 2017, Downloaded on Dec. 18, 2019.

“Spigen Neo Hybrid Crystal Galaxy S8 Plus Case with Clear Hard Casing and Reinforced Hard Bumper Frame for Galaxy S8 Plus (2017)—Gunmetal”, <https://www.amazon.com/dp/B06XP5HHV1>, Earliest review date of Apr. 4, 2017, Downloaded on Dec. 18, 2019.

“Spigen Neo Hybrid Crystal Glitter Galaxy S8 Plus Case with Flexible Inner Protection and Reinforced Hard Bumper Frame for Galaxy S8 Plus (2017)—Space Quartz”, <https://www.amazon.com/dp/B06XNW4WS9>, Earliest review date of Apr. 20, 2017, Downloaded on Dec. 18, 2019.

“Spigen Neo Hybrid Crystal Galaxy S6 Edge Plus Case with Flexible Inner Casing and Reinforced Hard Bumper Frame for Galaxy S6 Edge Plus 2015—Blue Topaz”, <https://www.amazon.com/dp/B010MWIIXQ>, Earliest review date of Jun. 25, 2017, Downloaded on Dec. 18, 2019.

“Spigen Neo Hybrid Crystal Galaxy Note 8 Case with Clear Hard Casing and Reinforced Hard Bumper Frame for Galaxy Note 8 (2017)—Gunmetal”, <https://www.amazon.com/dp/B073R79115>, Earliest review date of Aug. 28, 2017, Downloaded on Dec. 18, 2019.

“Spigen Slim Armor Galaxy S6 Case with Air Cushion Technology and Hybrid Drop Protection with Kickstand for Samsung Galaxy S6 (2015)—Shimmery White”, <https://www.amazon.com/dp/B00QU4NQMY>, Earliest review date of Mar. 21, 2015, Downloaded on Sep. 18, 2018.

Spigen Slim Armor Galaxy S6 Edge Case with Kickstand and Air Cushion Technology and Hybrid Drop Protection for Galaxy S6 Edge 2015—Gunmetal, <https://www.amazon.com/dp/B00SV638ZE>, Earliest review date of Apr. 3, 2015, Downloaded on Sep. 18, 2018. Korguenkomodo, “Slim Armor case—Galaxy S6 Edge Plus”, Published on Oct. 12, 2015, Downloaded on Mar. 19, 2019.

“Spigen Slim Armor Galaxy S7 Edge Case with Kickstand and Air Cushion Technology and Hybrid Drop Protection for Samsung Galaxy S7 Edge 2016—Champagne Gold”, <https://www.amazon.com/dp/B01BEBBWWY6>, Earliest review late of Feb. 26, 2016, Downloaded on Sep. 18, 2018.

“Spigen Slim Armor Galaxy S7 Case with Air Cushion Technology and Hybrid Drop Protection for Samsung Galaxy S7 2016—Violet”, <https://www.amazon.com/dp/B01AUR1D8K>, Earliest review date of Mar. 2, 2016, Downloaded on Sep. 18, 2018.

“Spigen Slim Armor Galaxy S8 Plus Case with Air Cushion Technology and Hybrid Drop Protection for Galaxy S8 Plus (2017)—Orchid Gray”, <http://www.amazon.com/dp/B0716CZ3Z1>, Earliest review date of Apr. 8, 2017, downloaded on Jul. 18, 2018.

“Spigen Slim Armor S8 Case with Air Cushion Technology and Hybrid Drop Protection for Samsung S8 (2017)—Black”, <http://www.amazon.com/dp/B01LP5XLOK>, Earliest review date of Apr. 22, 2017, downloaded on Sep. 18, 2018.

“Spigen Neo Hybrid Crystal Google Pixel Case with Flexible Inner Casing and Reinforced Hard Bumper Frame for Google Pixel 2016—Gunmetal”, <http://www.amazon.com/dp/B01M03SL8Y>, Earliest review date of Dec. 14, 2016, Downloaded on Dec. 20, 2018.

“Spigen Neo Hybrid Crystal Google Pixel XL Case with Flexible Inner Casing and Reinforced Hard Bumper Frame for Google Pixel XL 2016—Gunmetal”, <http://www.amazon.com/dp/B01LZS6PON>, Earliest review date of Dec. 15, 2016, downloaded on Dec. 18, 2018.

“Spigen Neo Hybrid Crystal [2nd Generation] iPhone 8 Case/iPhone 7 Case with Clear Hard Casing and Reinforced Hard Bumper Frame for Apple iPhone 8 (2017) / iPhone 7 (2016)—Gunmetal”, <http://www.amazon.com/dp/B0751C7FF2>, Earliest review date of Sep. 22, 2017, downloaded on Dec. 18, 2018.

“Spigen Neo Hybrid Crystal [2nd Generation] iPhone 8 Plus Case/iPhone 7 Plus Case with Clear Casing and Hard Bumper Frame for Apple iPhone 8 Plus (2017) / Apple iPhone 7 Plus (2016)—Rose Gold”, <http://www.amazon.com/dp/B0751D3JTL>, Earliest review date of Sep. 23, 2017, downloaded on Dec. 18, 2018.

“Spigen Neo Hybrid Crystal iPhone X Case with Clear Hard Casing and Reinforced Hard Bumper Frame for Apple iPhone X (2017)—Satin Silver”, <http://www.amazon.com/dp/B074CMZ6YV>, Earliest review date of Oct. 5, 2017, downloaded on Dec. 18, 2018.

\* cited by examiner

*Primary Examiner* — Carla J Wright

(74) *Attorney, Agent, or Firm* — Heedong Chae; Lucem, PC

(57)

## CLAIM

The ornamental design for a case for electronic communications device, as shown and described.

## DESCRIPTION

FIG. 1 is a front perspective view of a case for electronic communications device showing my new design;

FIG. 2 is a rear perspective view thereof;

FIG. 3 is a front elevational view thereof;

FIG. 4 is a rear elevational view thereof;

FIG. 5 is a left side elevational view thereof;

FIG. 6 is a right side elevational view thereof;

FIG. 7 is a top plan view thereof;

FIG. 8 is a bottom plan view thereof;

FIG. 9 is a front perspective view showing the inner shell component of the case in isolation;

FIG. 10 is a rear perspective view showing the inner shell component of the case in isolation;

FIG. 11 is a front perspective view showing the outer frame component of the case in isolation;

FIG. 12 is a rear perspective view showing the outer frame component of the case in isolation;

FIG. 13 is an exploded front perspective view showing the components of the case separated;

FIG. 14 is an exploded rear perspective view showing the components of the case separated; and,

FIG. 15 is an enlarged detail view of the encircled region of FIG. 2.

For clarity of disclosure, the components of the case are shown in isolation in FIGS. 9-12 and separated in FIGS. 13-14. Although the case for electronic communications device, in which the claimed design is embodied, consists of an inner shell component and an outer frame component, the claim is directed to the overall ornamental appearance of the case in its entirety and does not extend to the ornamental appearance of each of the individual components.

The dot-dash broken line circle in FIGS. 2 and 15 delineates a portion of the case that is part of the claimed design and that is shown on an enlarged scale in FIG. 15. The dashed broken lines throughout the drawing figures depict portions of the case for electronic communications device that form no part of the claimed design.

**1 Claim, 15 Drawing Sheets**

FIG. 1

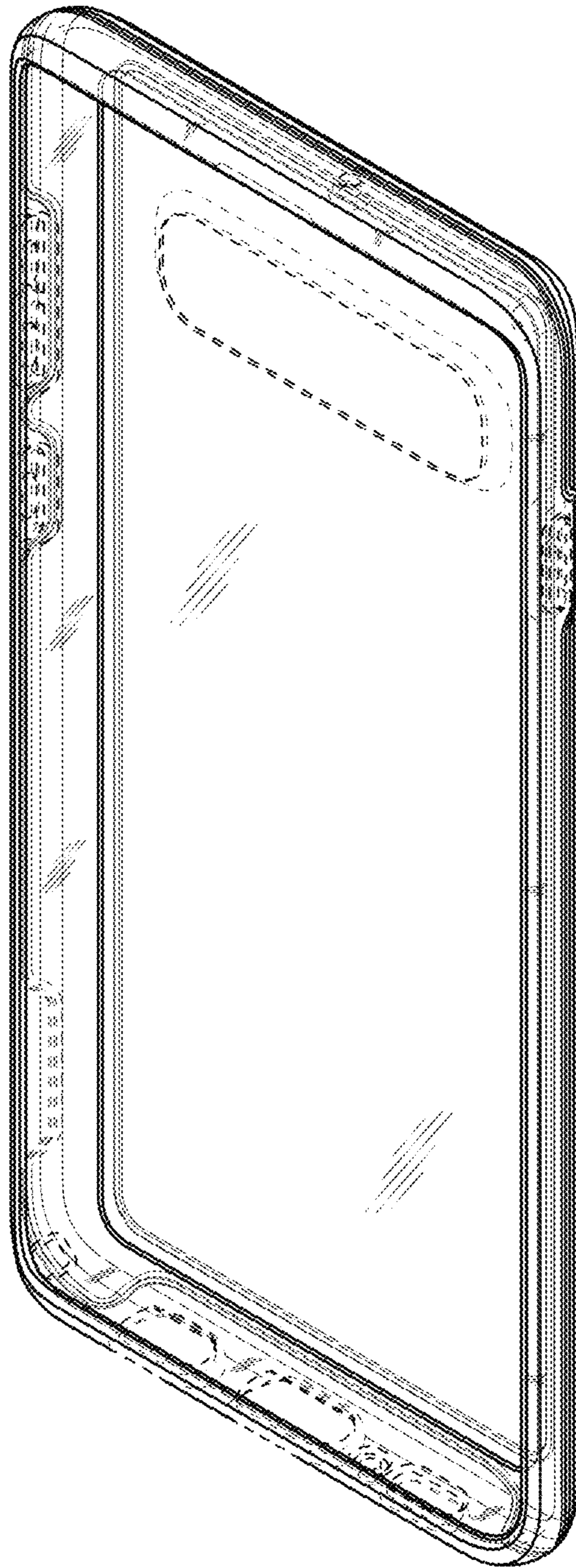


FIG. 2

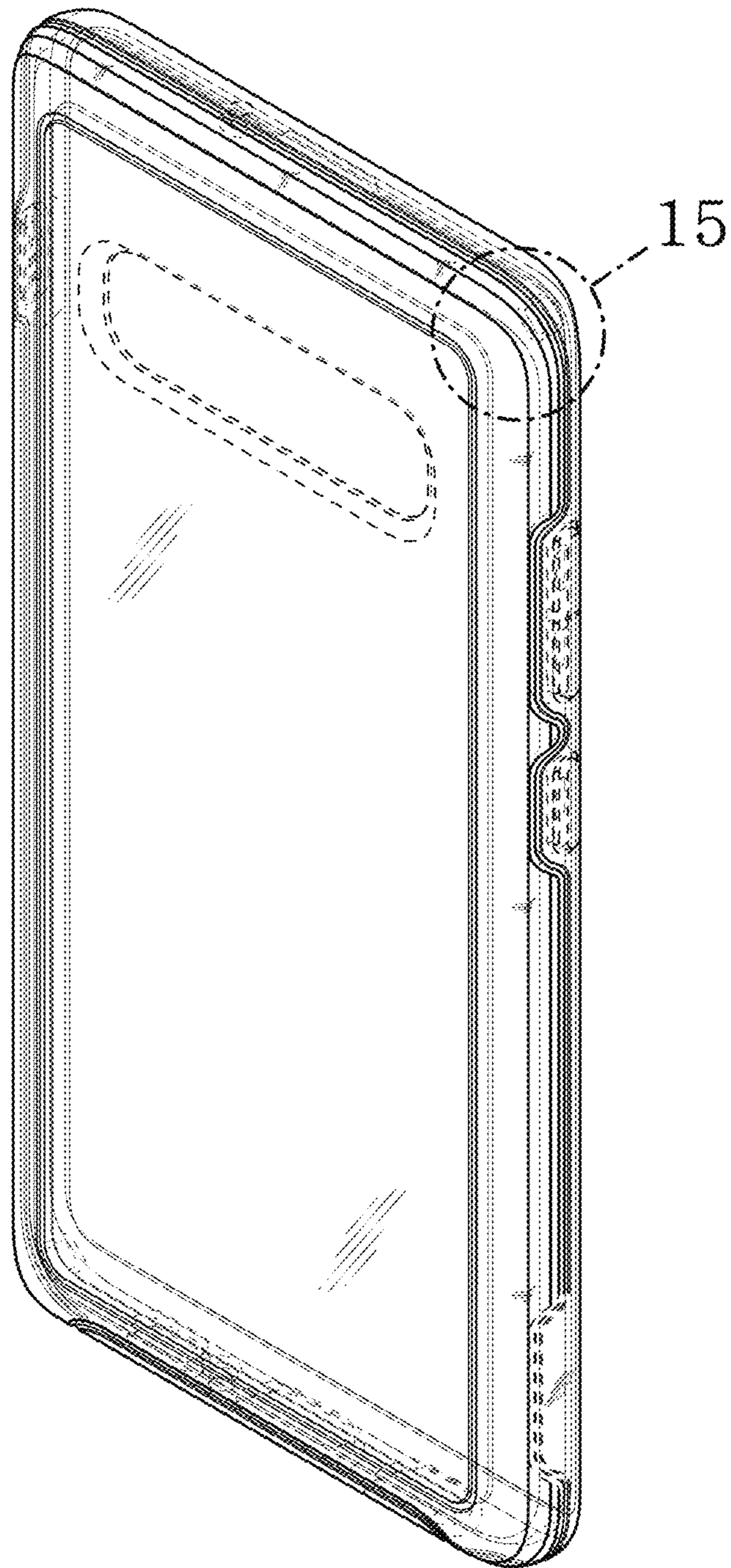


FIG. 3

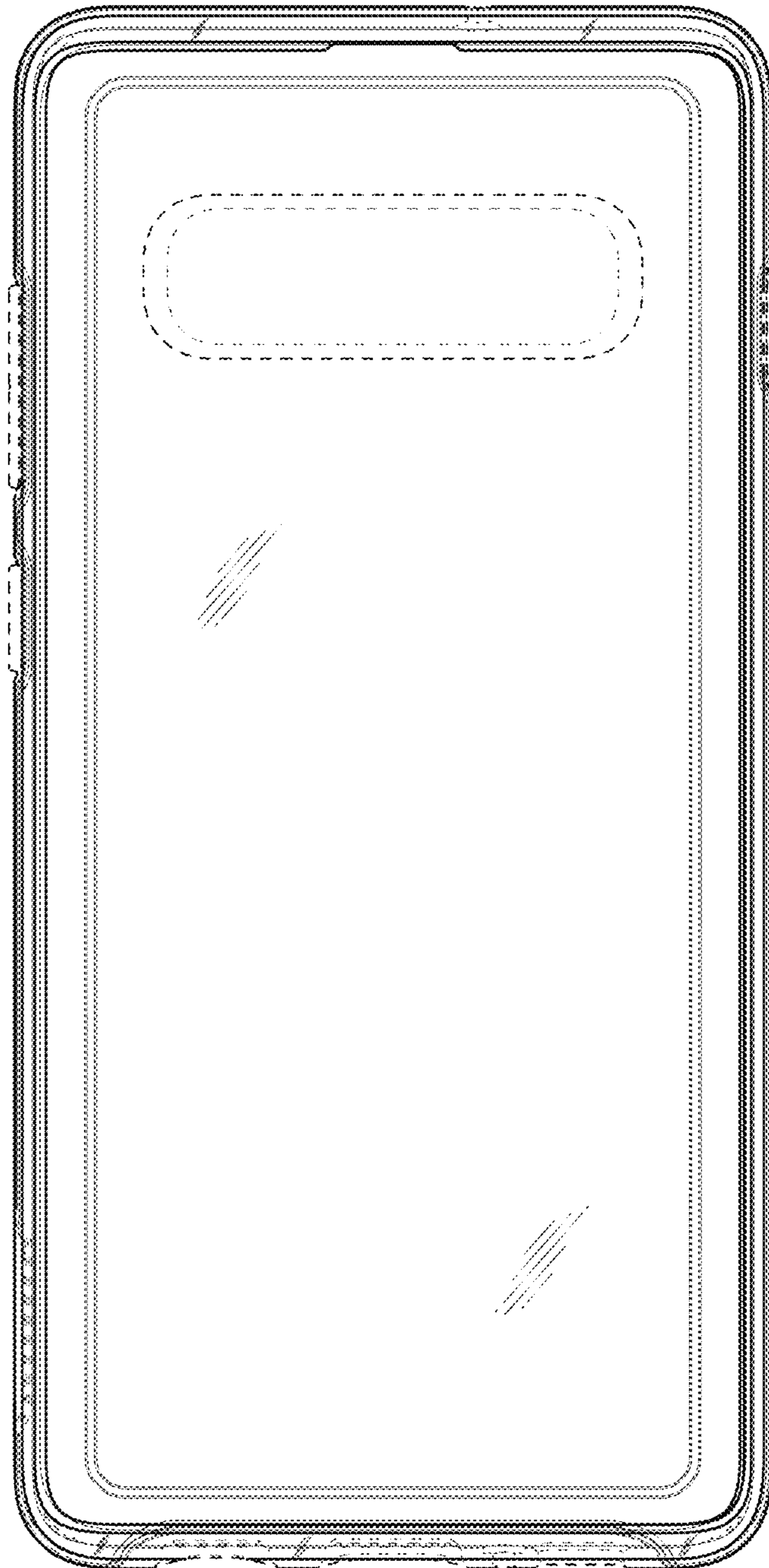


FIG. 4

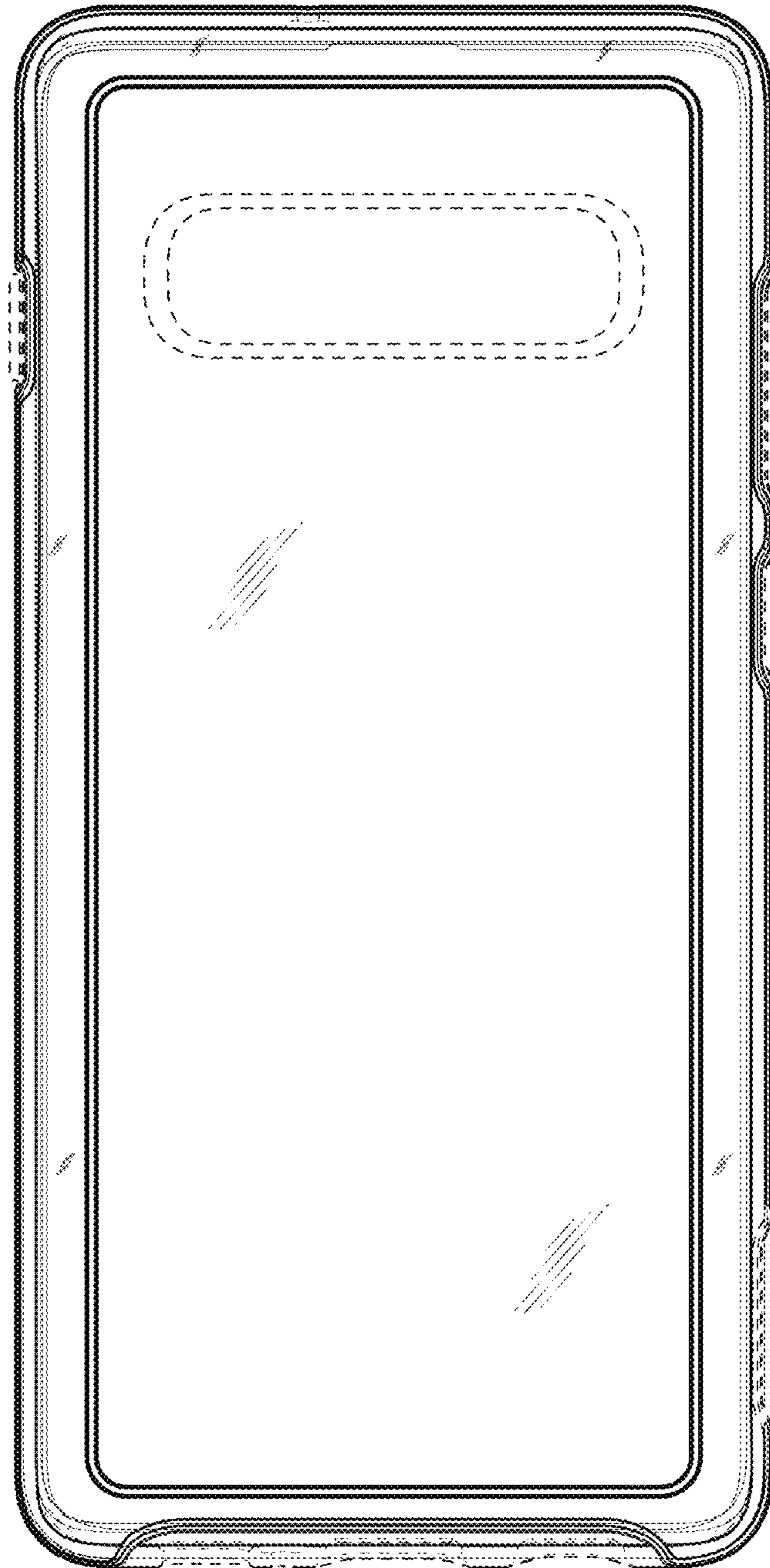


FIG. 5

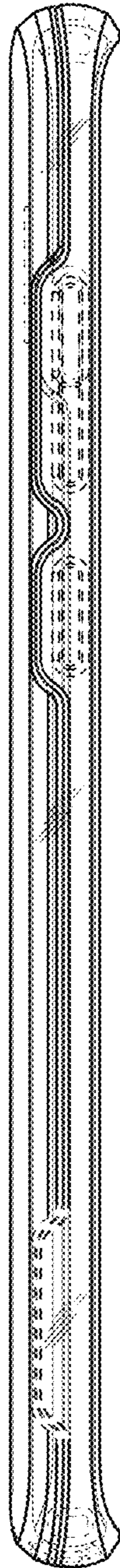




FIG. 6

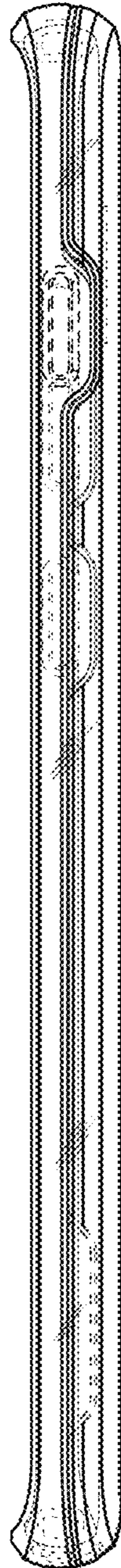


FIG. 7



FIG. 8

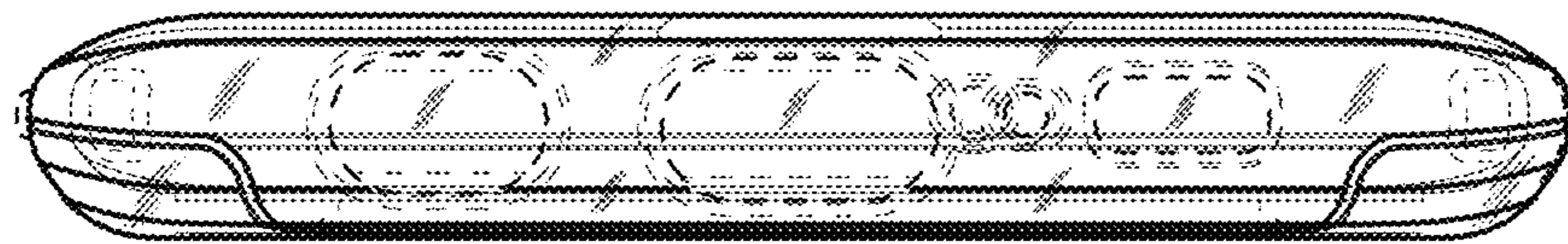


FIG. 9

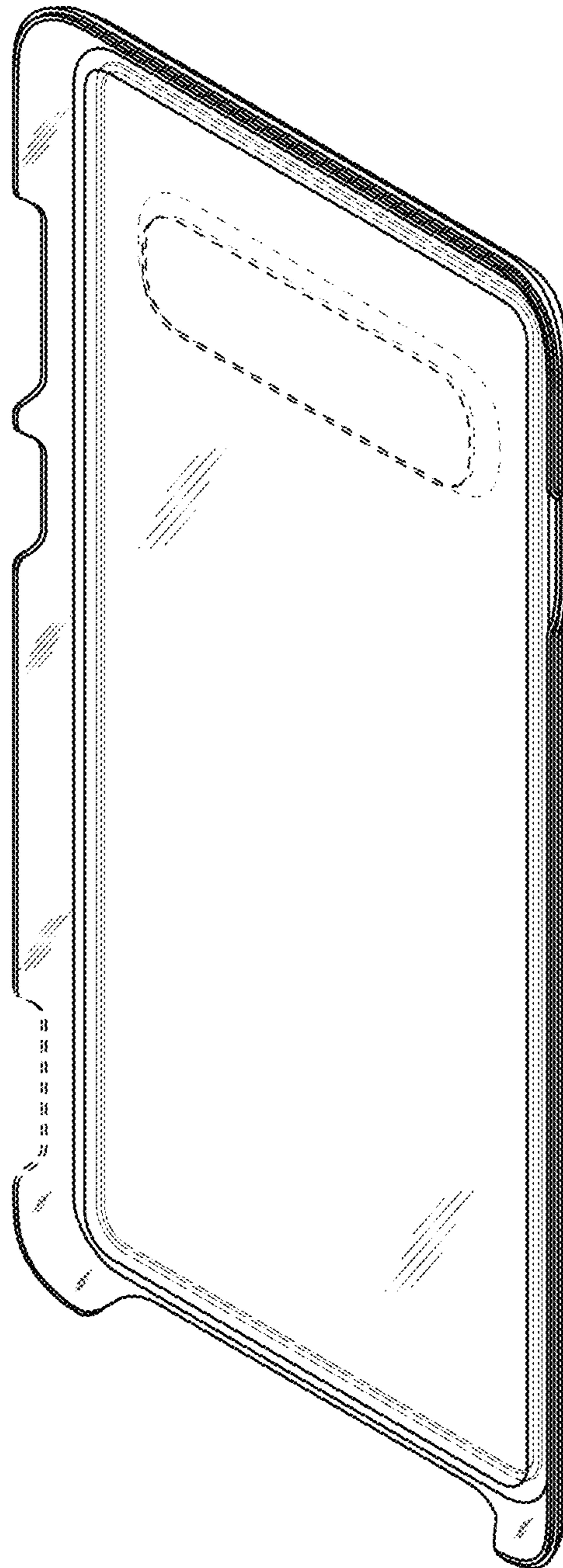


FIG. 10

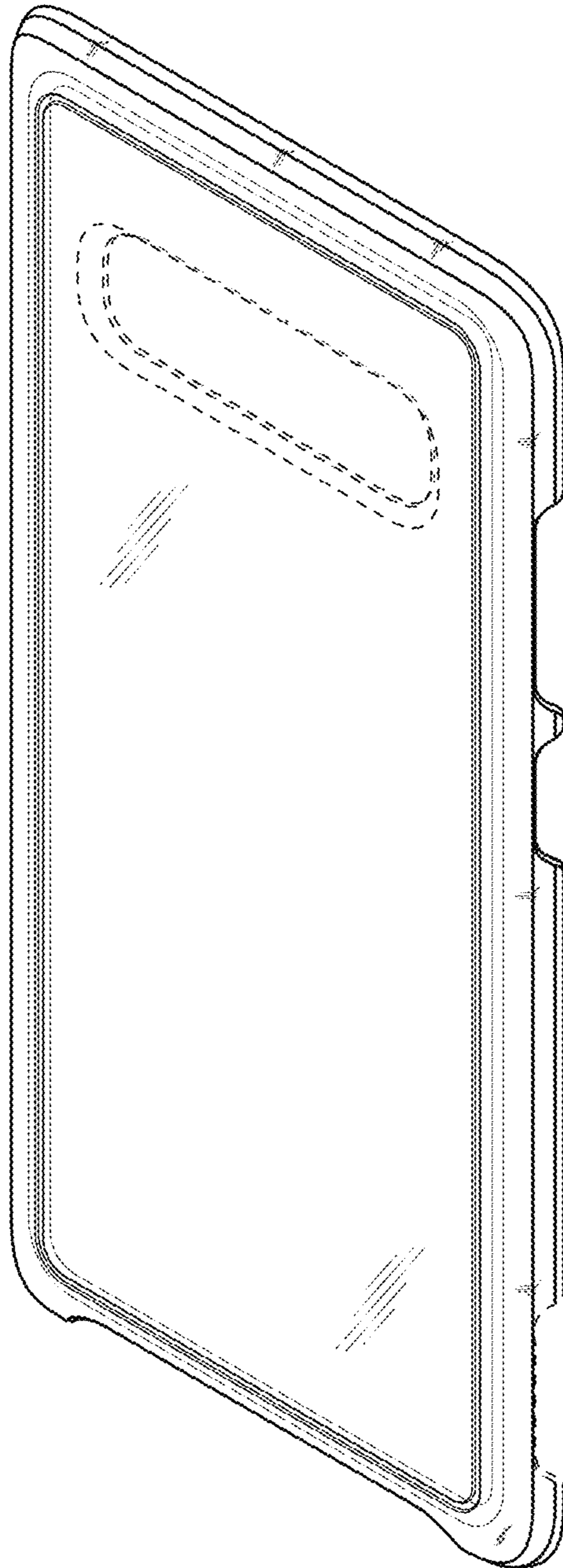


FIG. 11

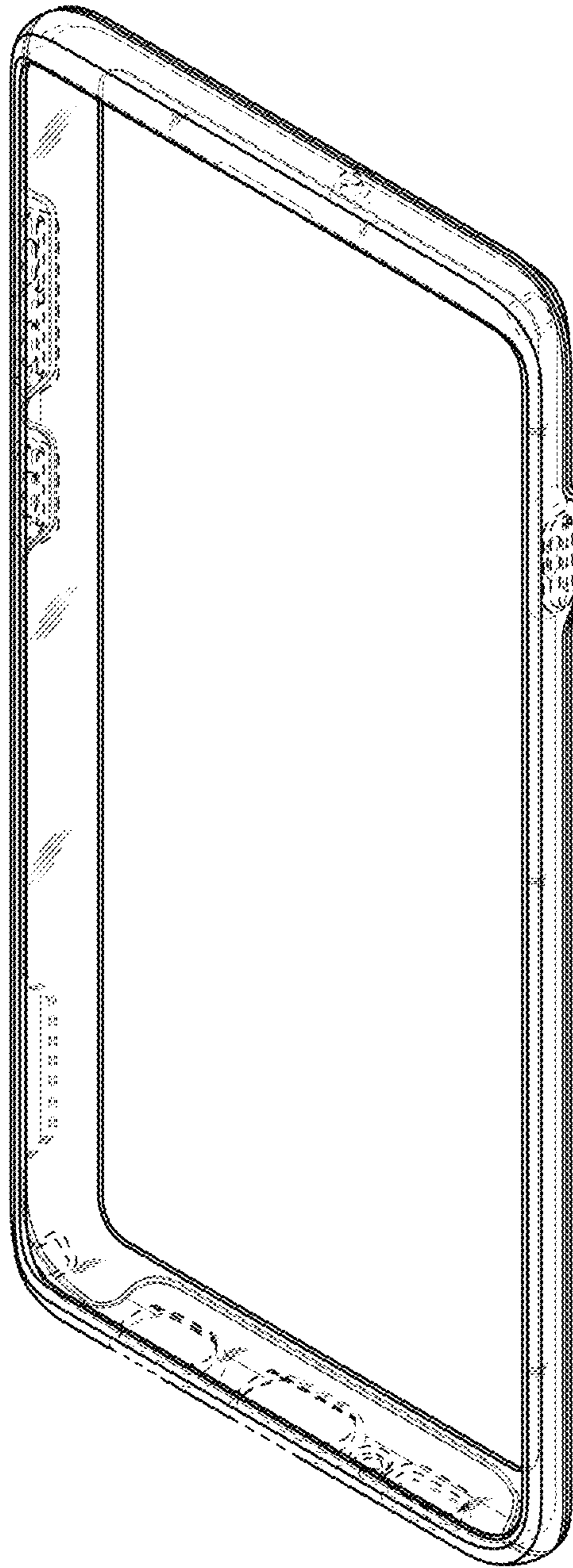


FIG. 12

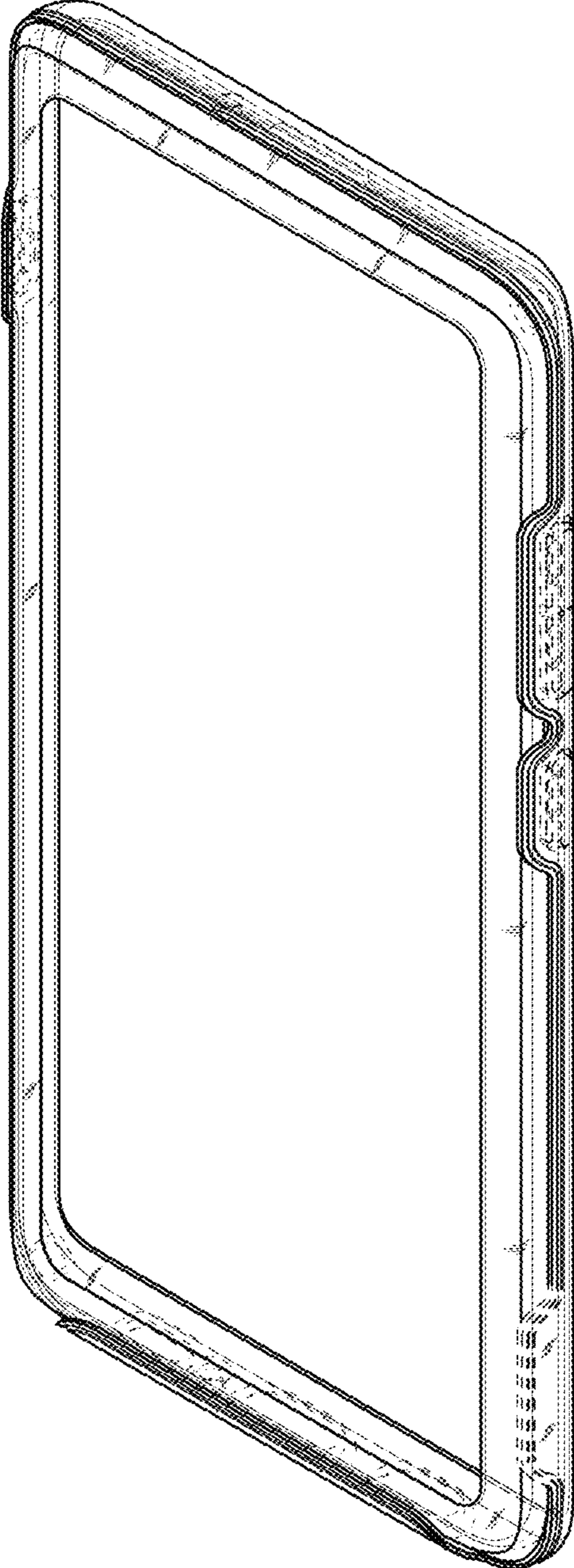


FIG. 13

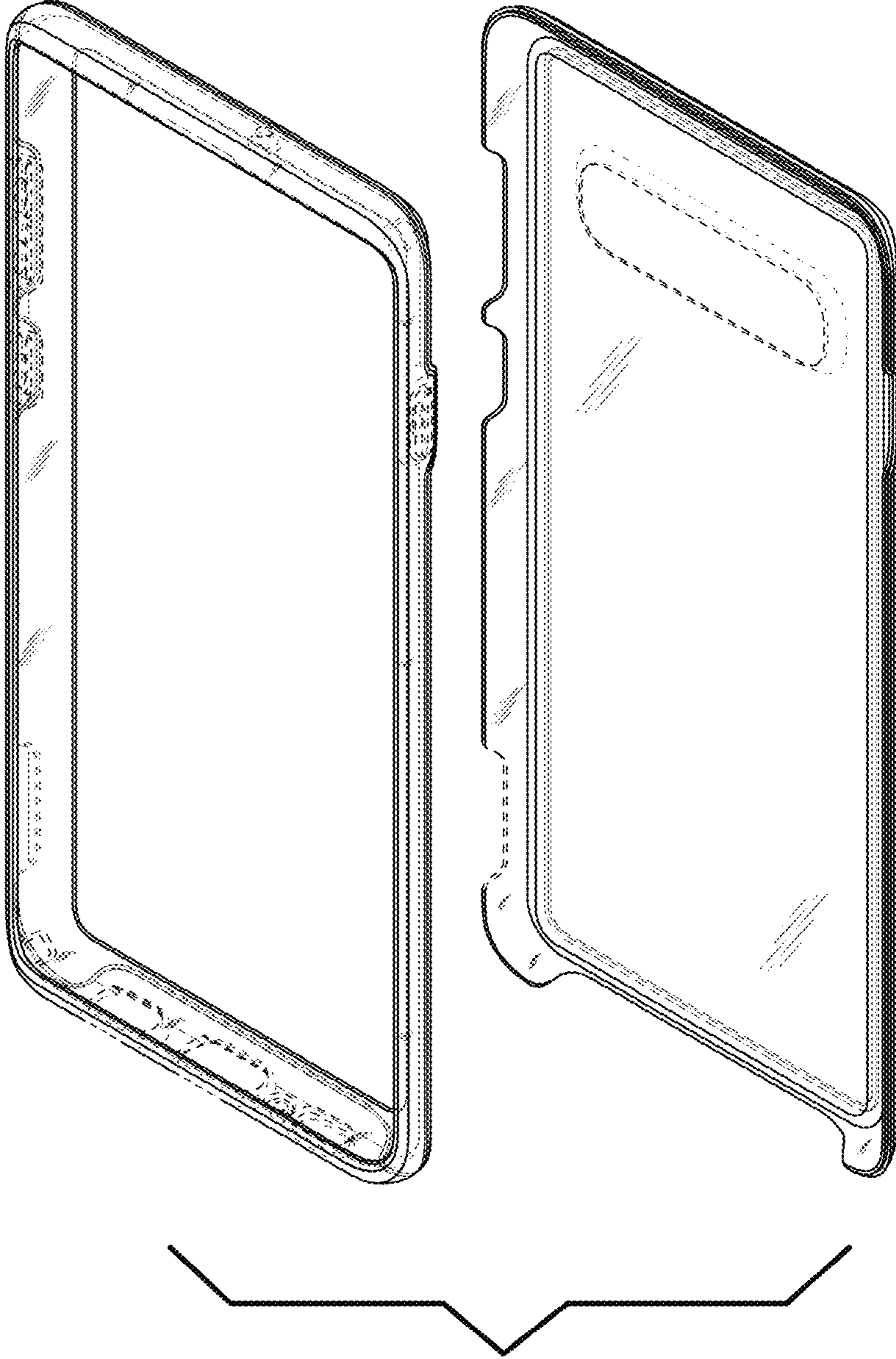




FIG. 14

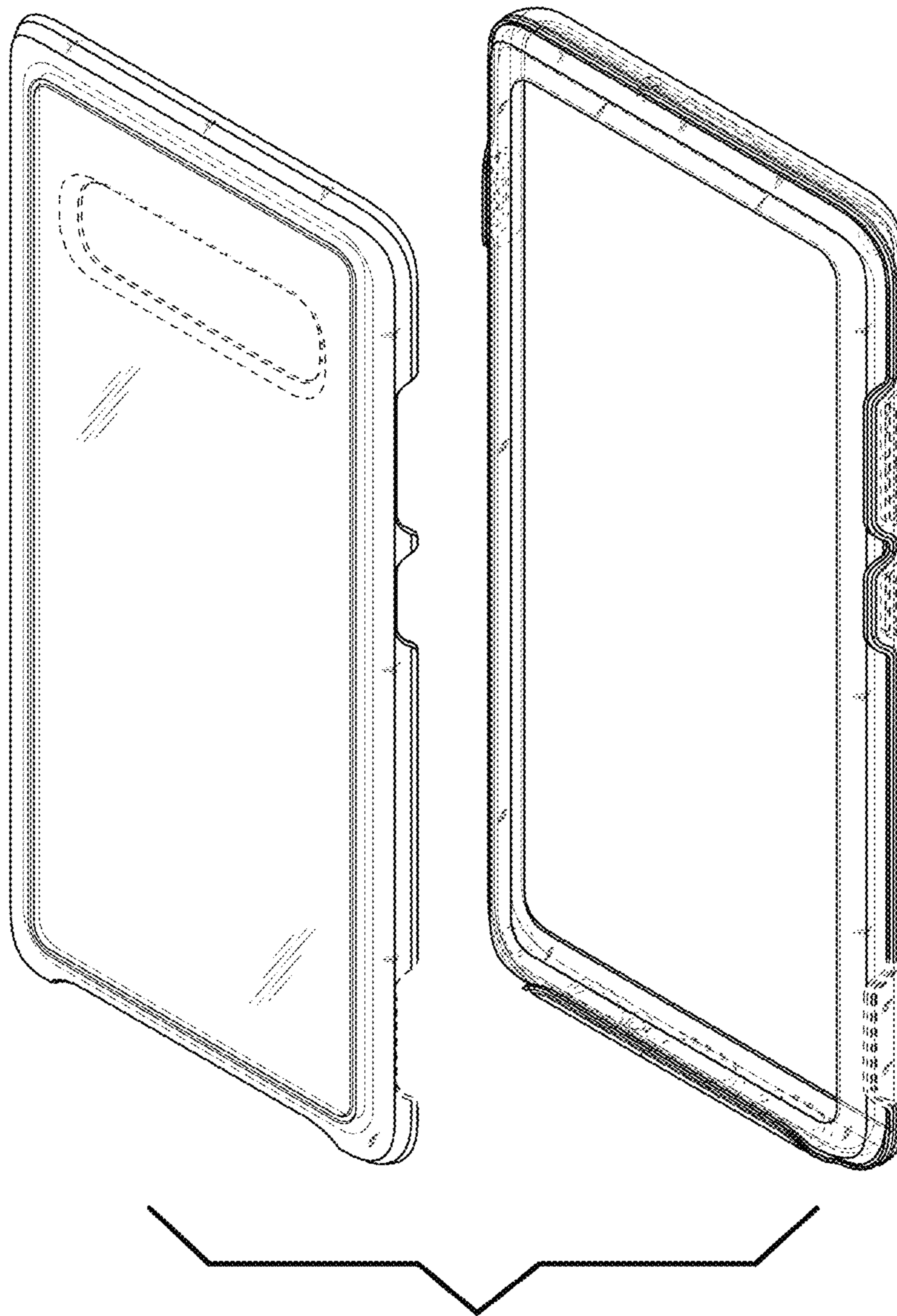


FIG. 15

