



US00D892100S

(12) **United States Design Patent** (10) **Patent No.:** **US D892,100 S**
Kim (45) **Date of Patent:** **** *Aug. 4, 2020**

- (54) **PHONE CASE**
- (71) Applicant: **Spigen, Inc.**, Irvine, CA (US)
- (72) Inventor: **Woojin Kim**, Fullerton, CA (US)
- (73) Assignee: **Spigen, Inc.**, Irvine, CA (US)
- (*) Notice: This patent is subject to a terminal disclaimer.
- (**) Term: **15 Years**
- (21) Appl. No.: **29/625,853**
- (22) Filed: **Nov. 13, 2017**
- (51) **LOC (12) Cl.** **14-03**
- (52) **U.S. Cl.**
USPC **D14/250**
- (58) **Field of Classification Search**
USPC D3/201, 218, 226, 227, 247, 249, 250,
D3/269, 303; D13/103, 107, 108, 119;
D14/137, 138 R, 138 AA, 138 C, 138 G,
D14/172, 192, 203.3–203.7, 217, 238.1,
D14/247, 248, 250–253, 434, 440, 447,
D14/496
CPC H04B 1/3888; H04M 1/0283; H04M
1/0202; A45C 1/06; A45C 2011/002;
A45C 11/00; A45F 2005/028; A45F
2200/0525
See application file for complete search history.

- (56) **References Cited**
U.S. PATENT DOCUMENTS
D96,015 S * 6/1935 Bruine D5/56
D654,487 S 2/2012 Weller et al.
D654,491 S 2/2012 Melanson et al.
D654,915 S 2/2012 Weller et al.
D654,931 S 2/2012 Lemelman et al.
D655,287 S 3/2012 de Jong et al.
D655,288 S 3/2012 de Jong et al.
D658,644 S 5/2012 Melanson et al.
D673,545 S 1/2013 Magness et al.

- D697,904 S 1/2014 Wicks et al.
- D698,766 S 2/2014 Son
- D703,656 S * 4/2014 Witter D14/250
- D704,685 S * 5/2014 Yeh D14/248
- D709,869 S * 7/2014 Witter D14/250
- D729,219 S * 5/2015 Yung D14/250
- D742,869 S * 11/2015 Odhwani D14/250
- D755,167 S * 5/2016 Chen D14/248
- D771,027 S * 11/2016 Prstojevich D14/250
- D782,460 S * 3/2017 Bertrand D14/250

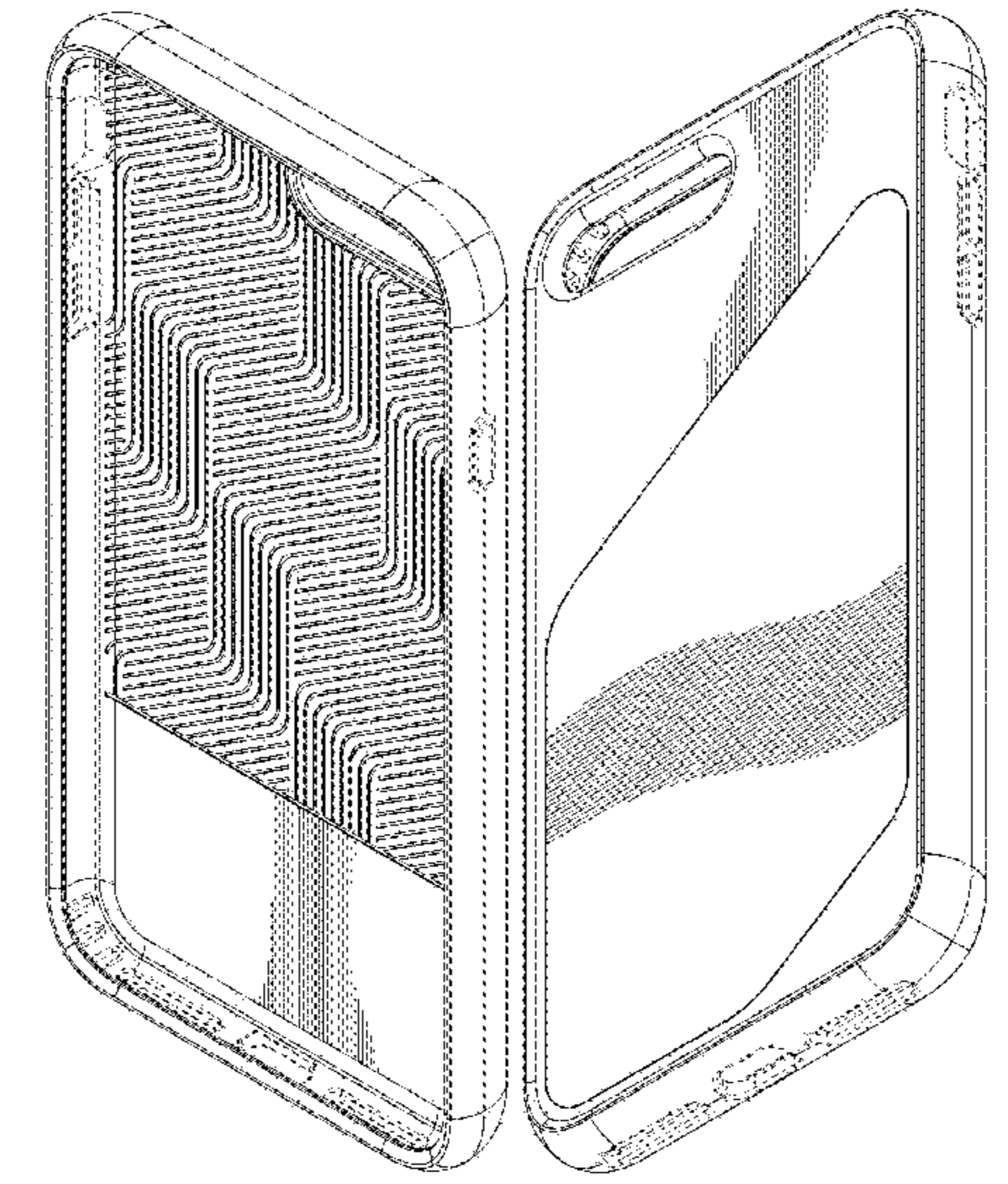
(Continued)

Primary Examiner — Susan E Krakower
Assistant Examiner — L. A. Grabenstetter
(74) *Attorney, Agent, or Firm* — Heedong Chae; Lucem, PC

(57) **CLAIM**
The ornamental design for a phone case, as shown and described.

DESCRIPTION
FIG. 1 is a top perspective view showing the top, front, and right sides as well as the inner left interior surface of a phone case;
FIG. 2 is a bottom perspective view showing the bottom, front, and left sides as well as the inner right interior surface of the phone case;
FIG. 3 is a further bottom perspective view showing the bottom, front, and right sides as well as the inner left interior surface of the phone case;
FIG. 4 is a further bottom perspective view showing the bottom, left, and rear sides of the phone case;
FIG. 5 is a front elevation view of the phone case;
FIG. 6 is a rear elevation view of the phone case;
FIG. 7 is a left side elevation view of the phone case;
FIG. 8 is a right side elevation view of the phone case;
FIG. 9 is a top plan view of the phone case; and,
FIG. 10 is a bottom plan view of the phone case.
The broken lines in the drawings represent portions of the phone case that form no part of the claimed design.

1 Claim, 10 Drawing Sheets



(56)

References Cited

U.S. PATENT DOCUMENTS

D791,773 S *	7/2017	Moore	D14/440
D792,875 S *	7/2017	Kim	D14/250
D792,877 S *	7/2017	Kim	D14/250
D792,878 S *	7/2017	Kim	D14/250
2015/0168789 A1 *	6/2015	Kwon	G02F 1/134336 349/33

* cited by examiner

FIG. 1

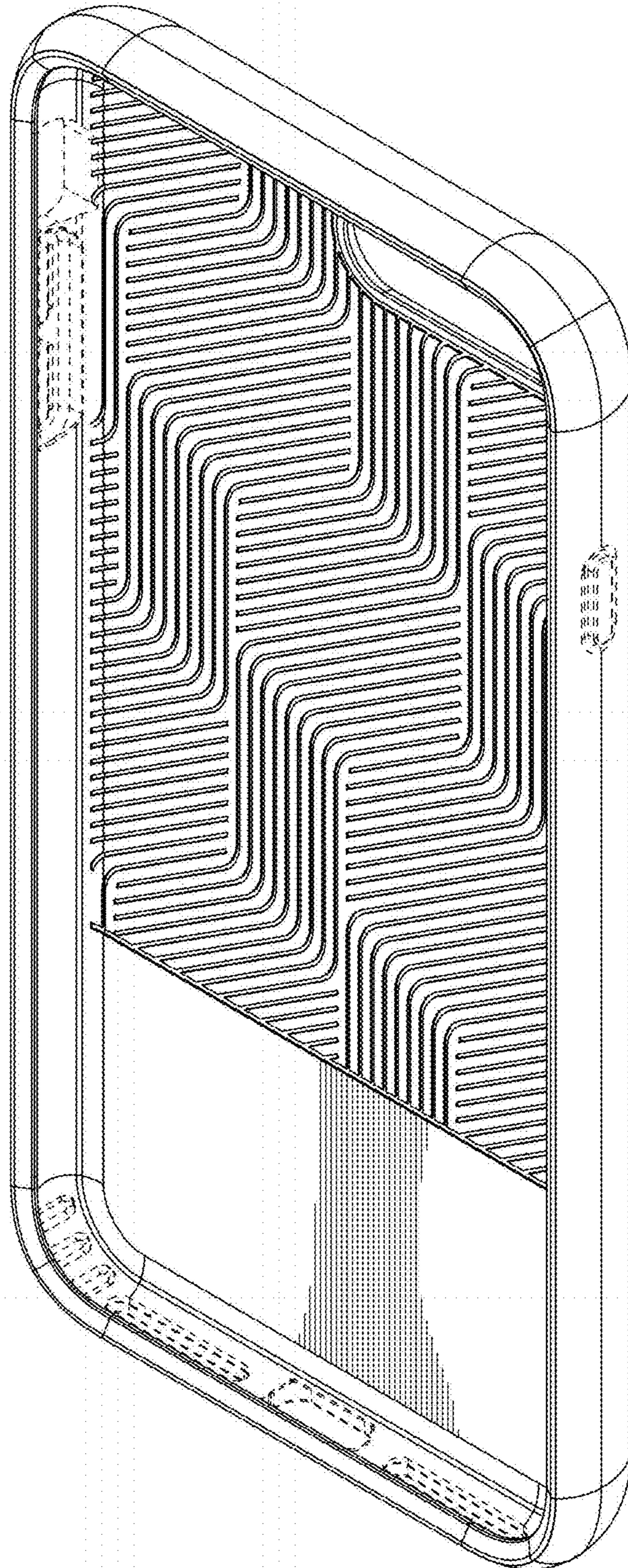


FIG. 2

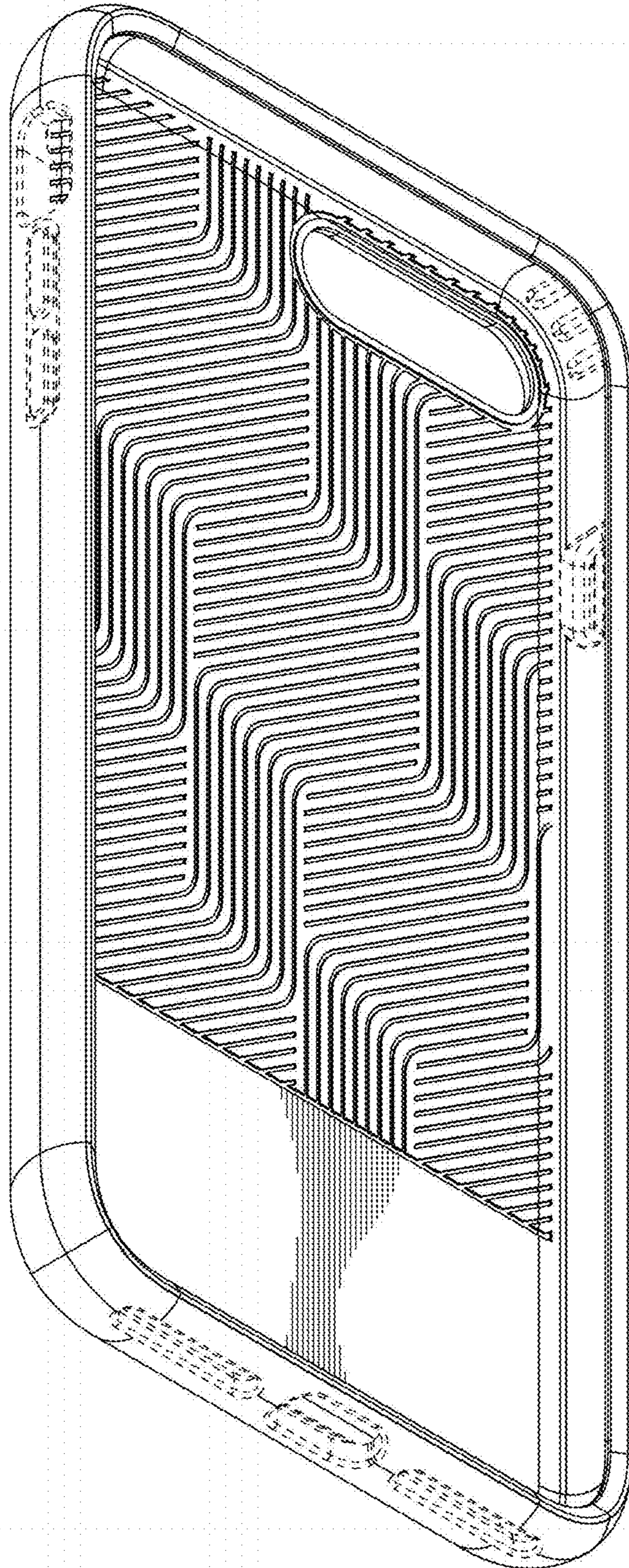


FIG. 3

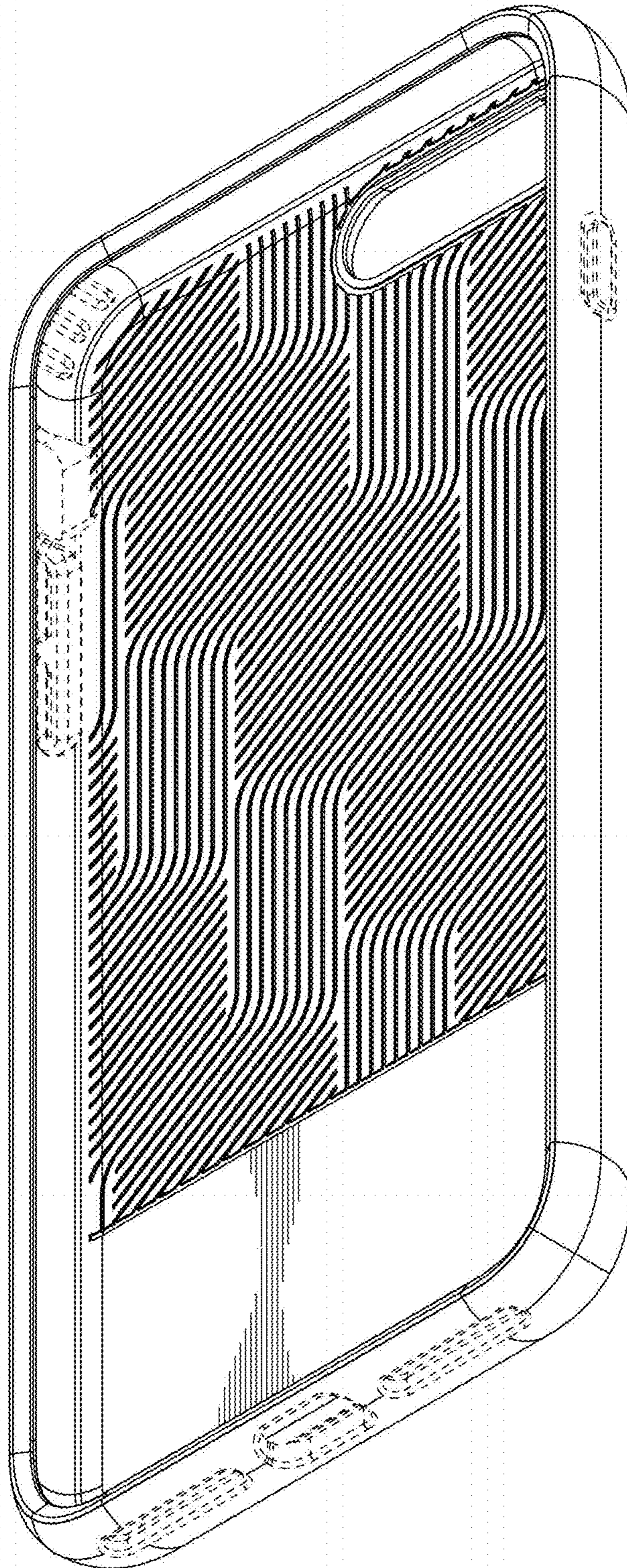


FIG. 4

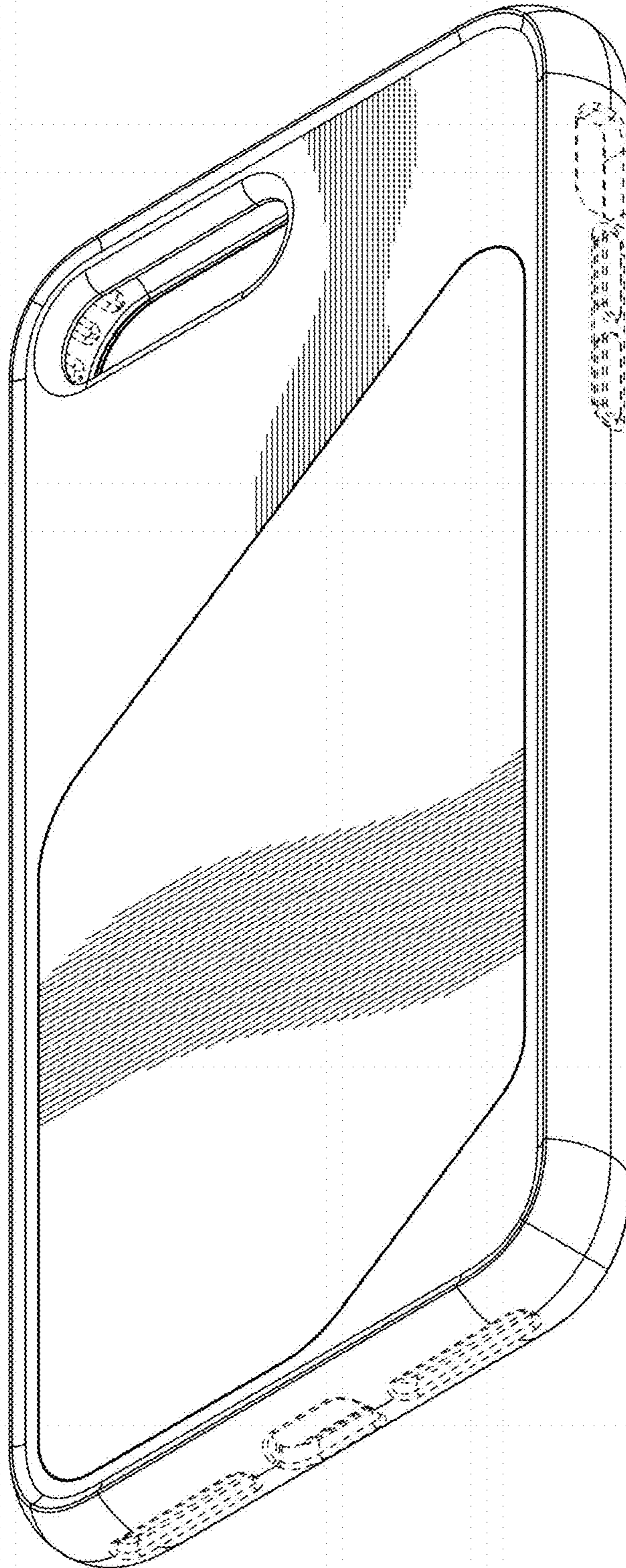


FIG. 5

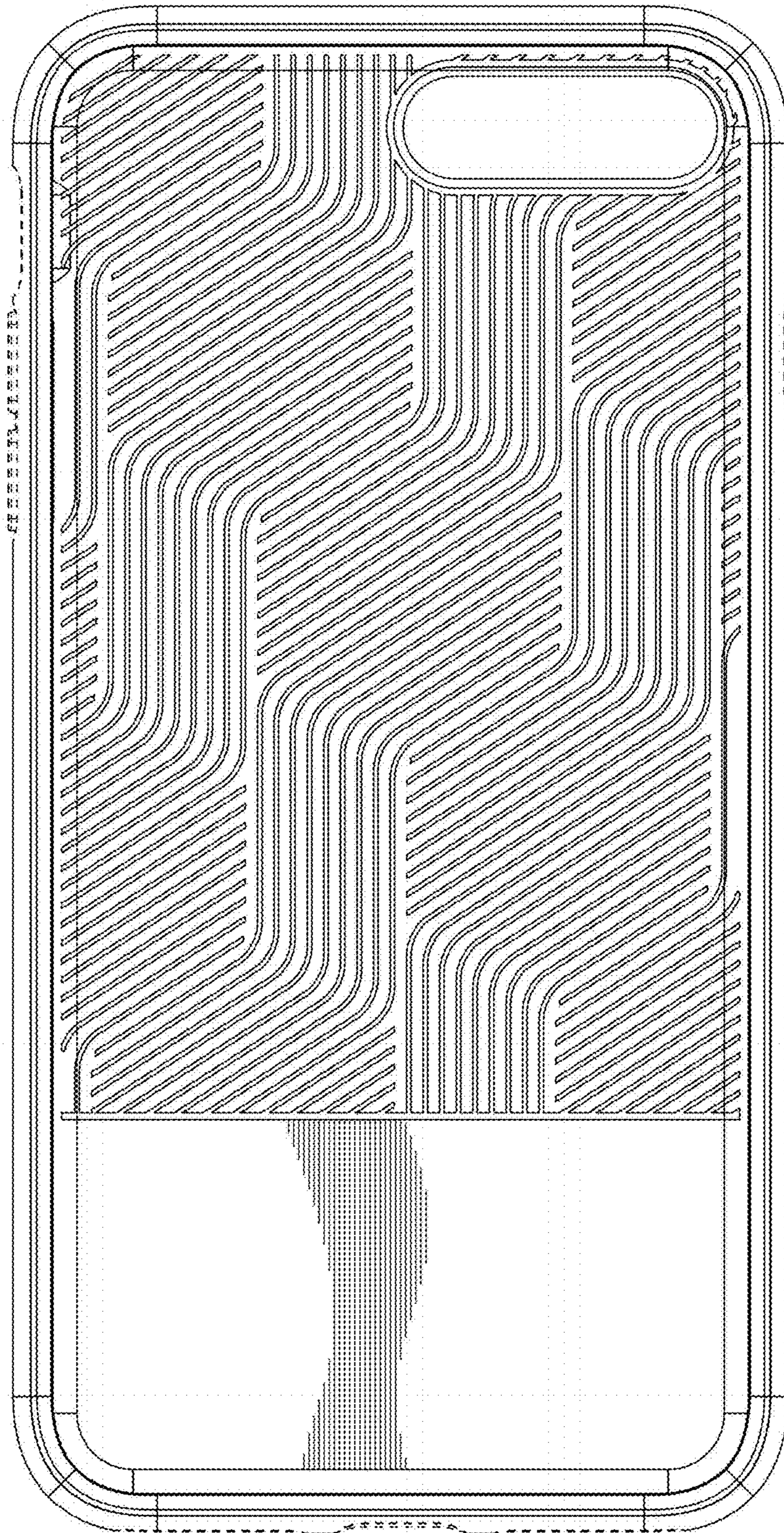


FIG. 6

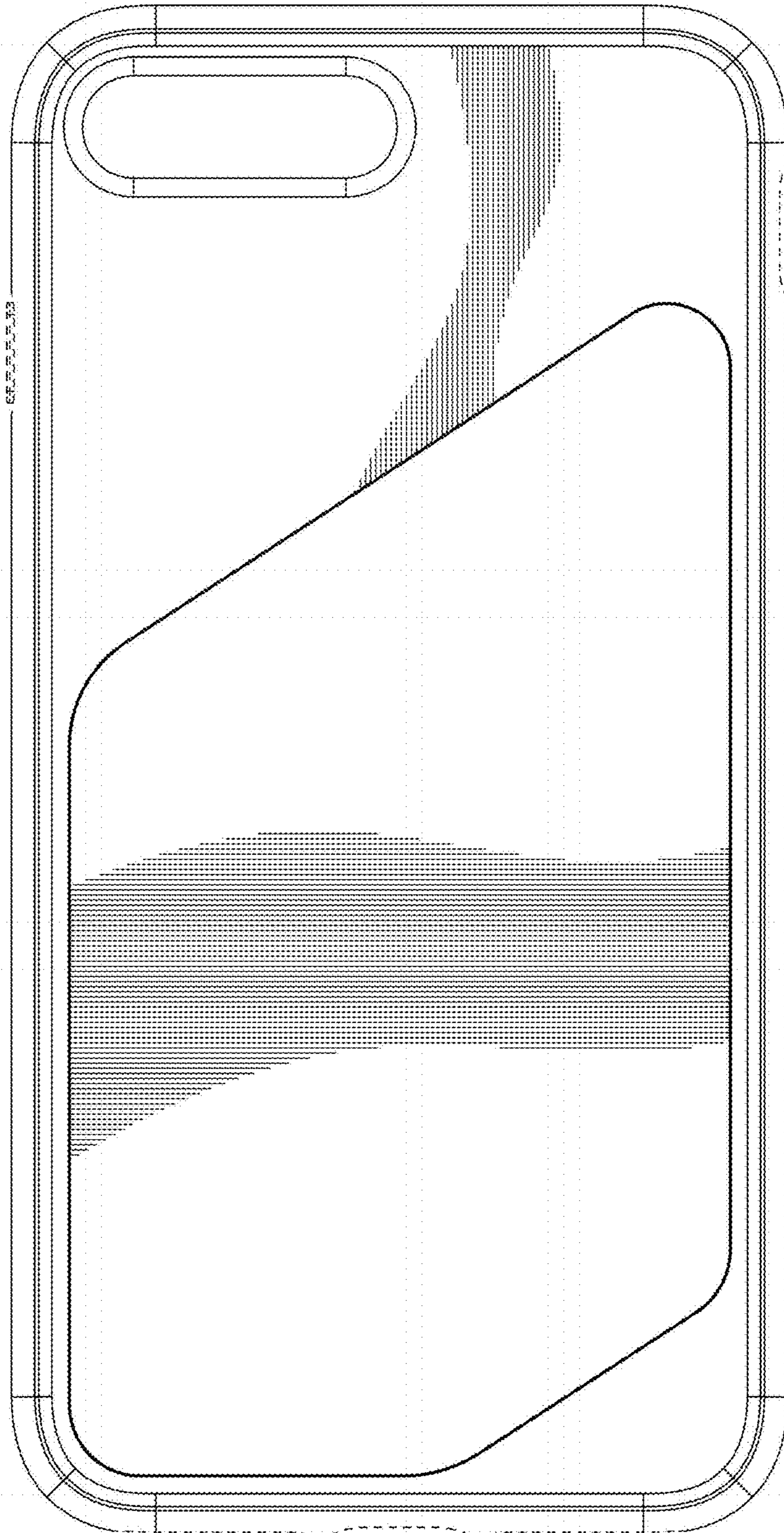


FIG. 7

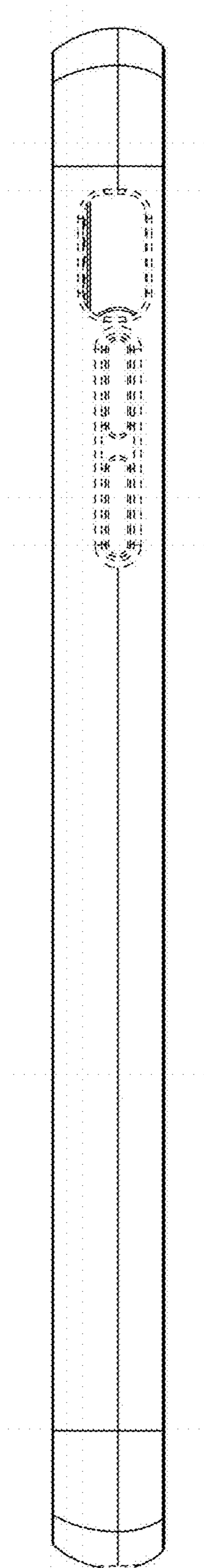


FIG. 8

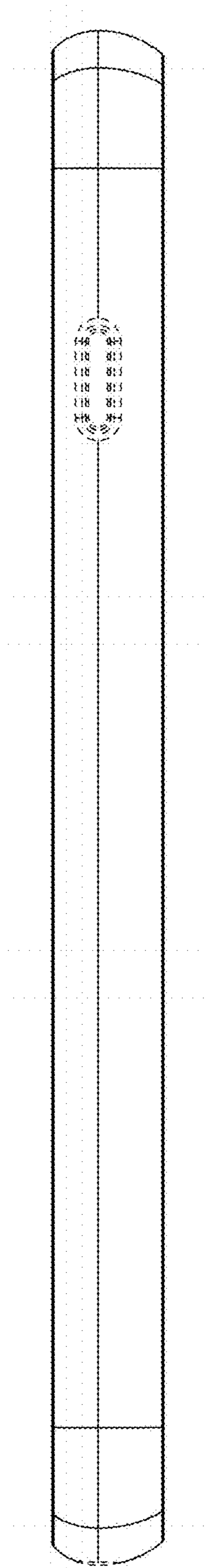


FIG. 9

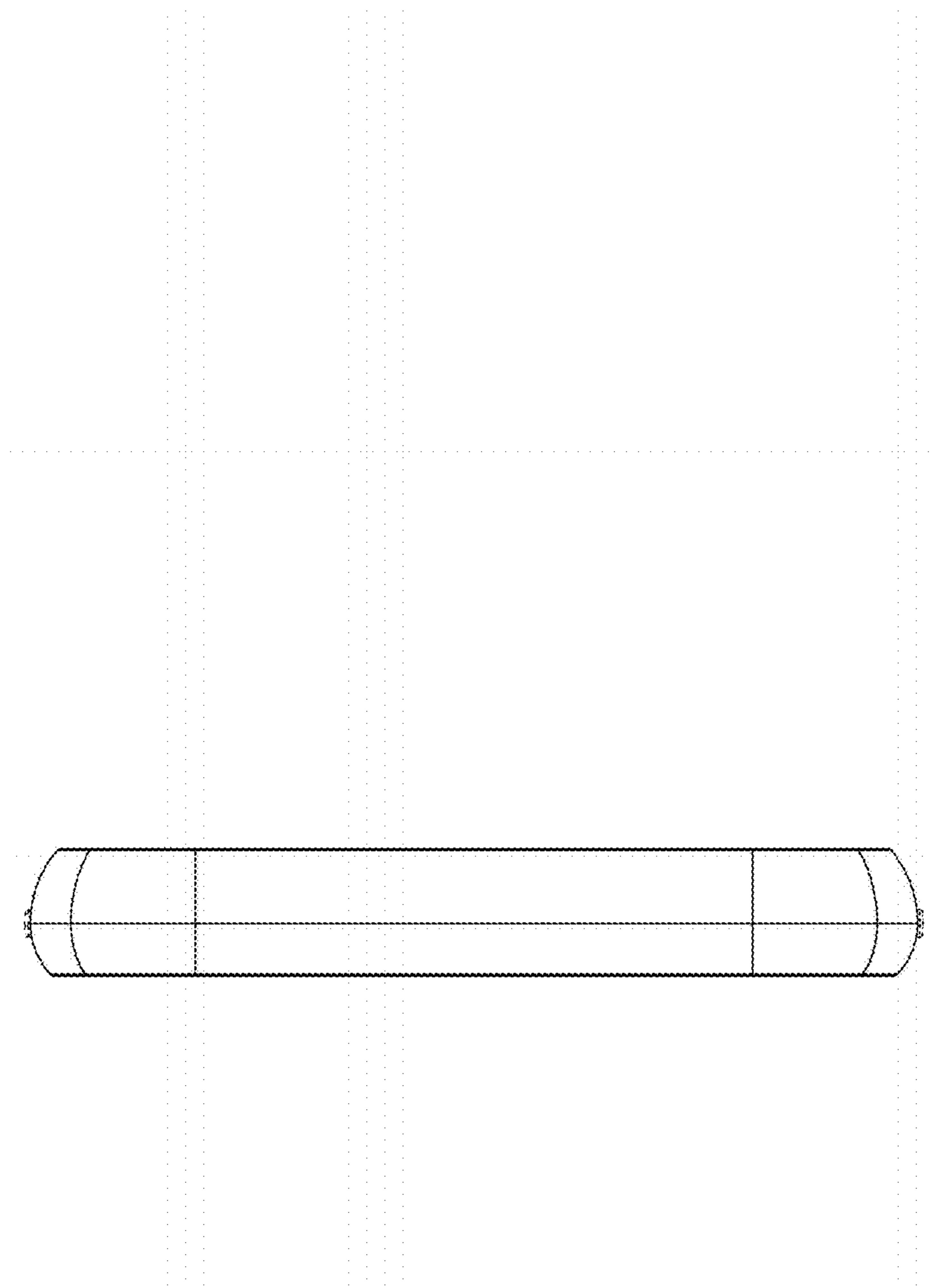


FIG. 10

