



US00D892095S

(12) **United States Design Patent** (10) **Patent No.:** **US D892,095 S**  
**Seong et al.** (45) **Date of Patent:** **\*\* Aug. 4, 2020**

(54) **TELEVISION RECEIVER**

FOREIGN PATENT DOCUMENTS

(71) Applicant: **Samsung Electronics Co., Ltd.**,  
Suwon-si (KR)

EM 001776006-0002 11/2010  
JP D1208716 6/2004

(Continued)

(72) Inventors: **Bo-Kyung Seong**, Daejeon-Si (KR);  
**Sung-Jin Ann**, Seoul (KR); **Gil-Jae Lee**, Seoul (KR); **Won-Chul Hwang**,  
Seoul (KR)

*Primary Examiner* — John Windmuller  
(74) *Attorney, Agent, or Firm* — NSIP Law

(73) Assignee: **Samsung Electronics Co., Ltd.**,  
Suwon-si (KR)

(57) **CLAIM**

We claim the ornamental design for a television receiver, as shown and described.

(\*\*) Term: **15 Years**

**DESCRIPTION**

(21) Appl. No.: **29/718,409**

(22) Filed: **Dec. 24, 2019**

**Related U.S. Application Data**

(62) Division of application No. 29/638,222, filed on Feb. 26, 2018.

(30) **Foreign Application Priority Data**

Sep. 1, 2017 (KR) ..... 30-2017-0040924  
Jan. 3, 2018 (KR) ..... 30-2018-0000456

(51) **LOC (12) Cl.** ..... **14-03**

(52) **U.S. Cl.**  
USPC ..... **D14/230**; D14/239

(58) **Field of Classification Search**  
USPC ..... D14/138, 230–238, 299, 358, 375, 239,  
D14/126; D12/42, 43

(Continued)

(56) **References Cited**

U.S. PATENT DOCUMENTS

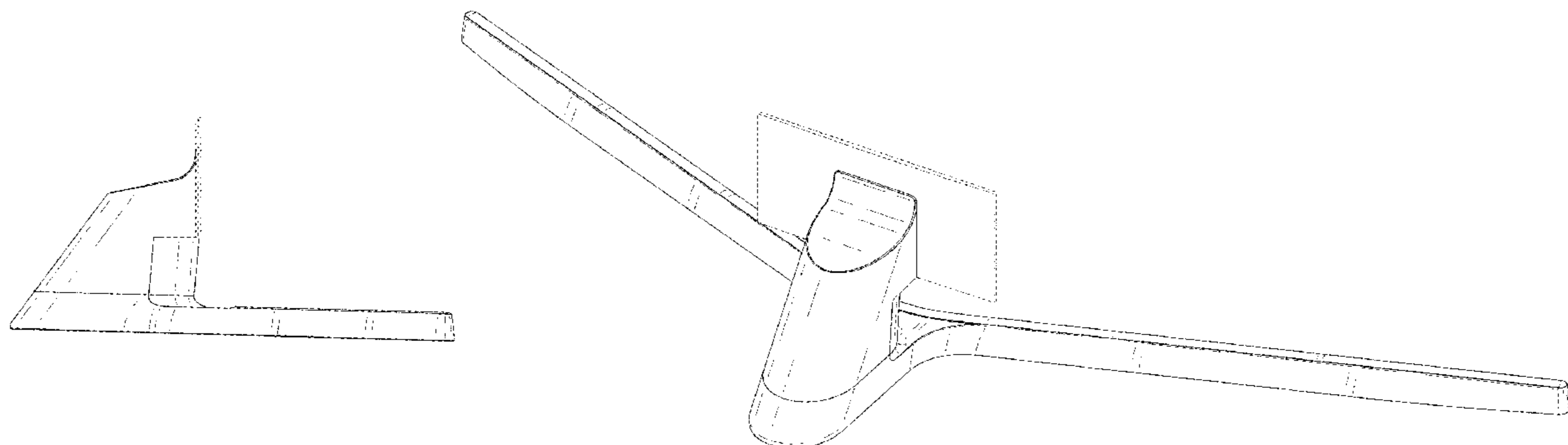
D660,815 S 5/2012 Itou et al.  
D683,337 S \* 5/2013 Kim ..... D14/239

(Continued)

FIG. 1 is a front perspective view of a television receiver showing our new design;  
FIG. 2 is a front view thereof;  
FIG. 3 is a rear view thereof;  
FIG. 4 is a left-side view thereof;  
FIG. 5 is a right-side view thereof;  
FIG. 6 is a top view thereof;  
FIG. 7 is a bottom view thereof;  
FIG. 8 is a rear perspective view thereof;  
FIG. 9 is an enlarged view of the encircled portion in FIG. 1;  
FIG. 10 is a front perspective view in which the stand portion is shown;  
FIG. 11 is a front view thereof;  
FIG. 12 is a rear view thereof;  
FIG. 13 is a left-side view thereof;  
FIG. 14 is a right-side view thereof;  
FIG. 15 is a top view thereof;  
FIG. 16 is a bottom view thereof; and,  
FIG. 17 is a rear perspective view thereof.

The evenly-dashed broken lines in the figures depict portions of the television receiver which form no part of the claimed design. The dot-dash broken lines encircling portions of the claimed design that are illustrated in enlargements form no part of the claimed design.

**1 Claim, 17 Drawing Sheets**



(58) **Field of Classification Search**

CPC ..... H01Q 7/00; H01Q 13/10; H01Q 9/285;  
H01Q 19/30; H01Q 19/12; H01Q 1/38;  
H01Q 1/36; H01Q 2/0027; H01Q 1/48;  
H01Q 9/045; H01Q 1/243; H04B 1/0475;  
H04B 1/034; H05K 11/00

See application file for complete search history.

(56) **References Cited**

U.S. PATENT DOCUMENTS

D718,261 S \* 11/2014 Han ..... D14/126  
D718,287 S \* 11/2014 Lee ..... D14/239  
D795,849 S 8/2017 Cho et al.  
D822,670 S 7/2018 Hubert et al.  
D824,889 S 8/2018 Debaigue et al.  
D824,890 S 8/2018 Kim et al.  
D836,618 S 12/2018 Kim et al.  
D857,676 S 8/2019 Kim et al.  
D858,474 S 9/2019 Lim et al.

FOREIGN PATENT DOCUMENTS

KR 30-2009-0032240 9/2010  
KR 30-2012-0021353 4/2013

\* cited by examiner

FIG. 1

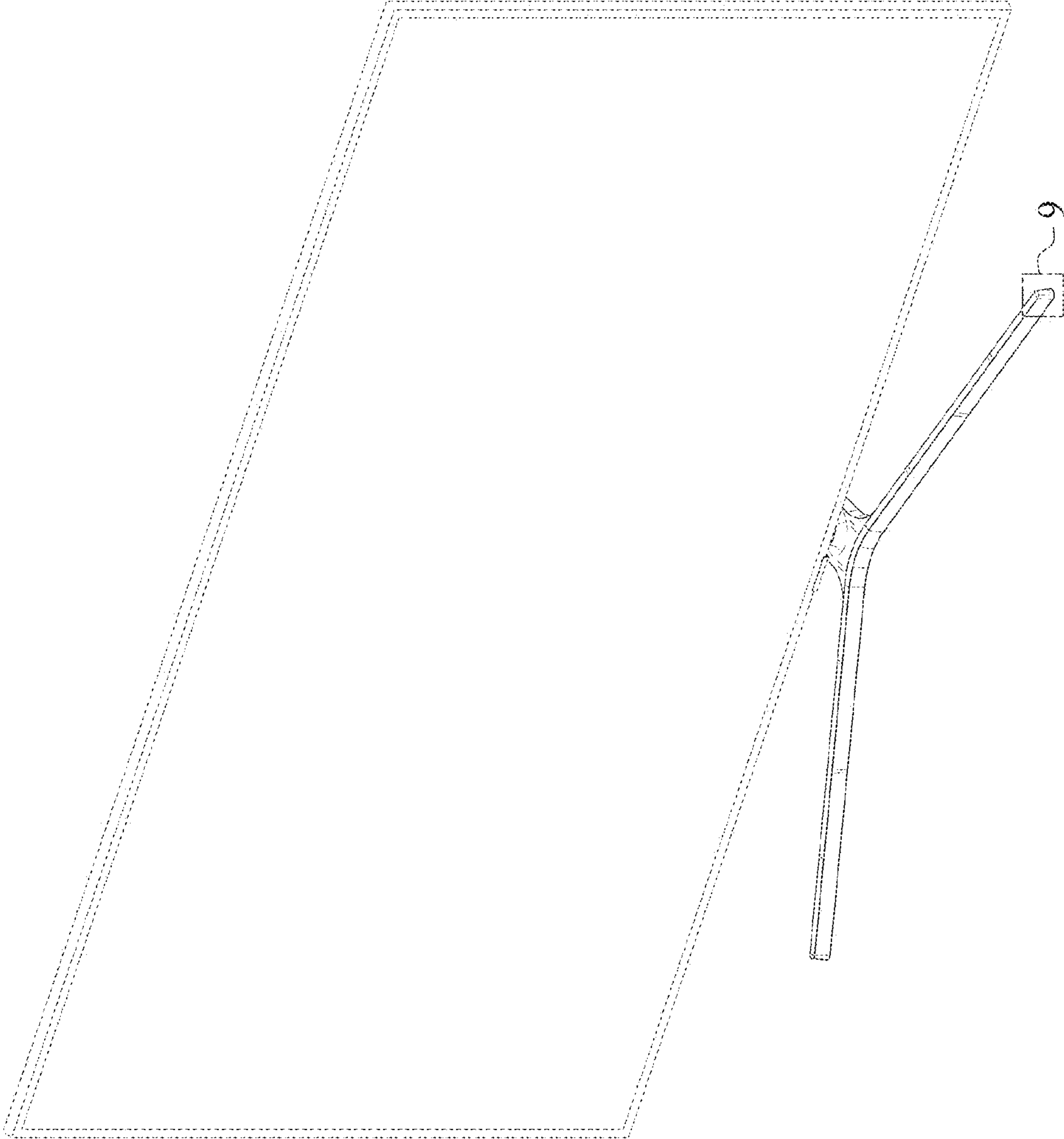


FIG. 2

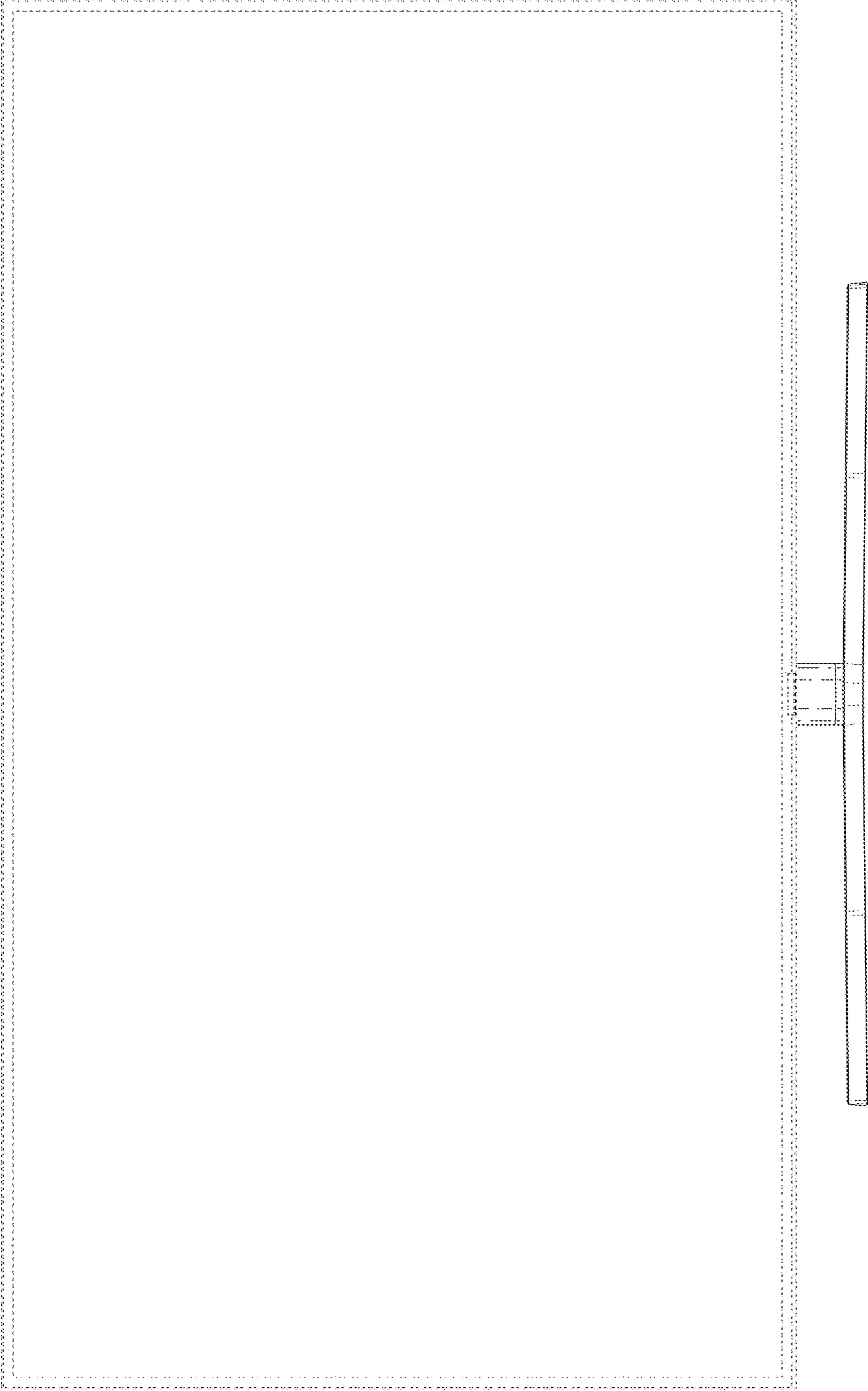


FIG. 3

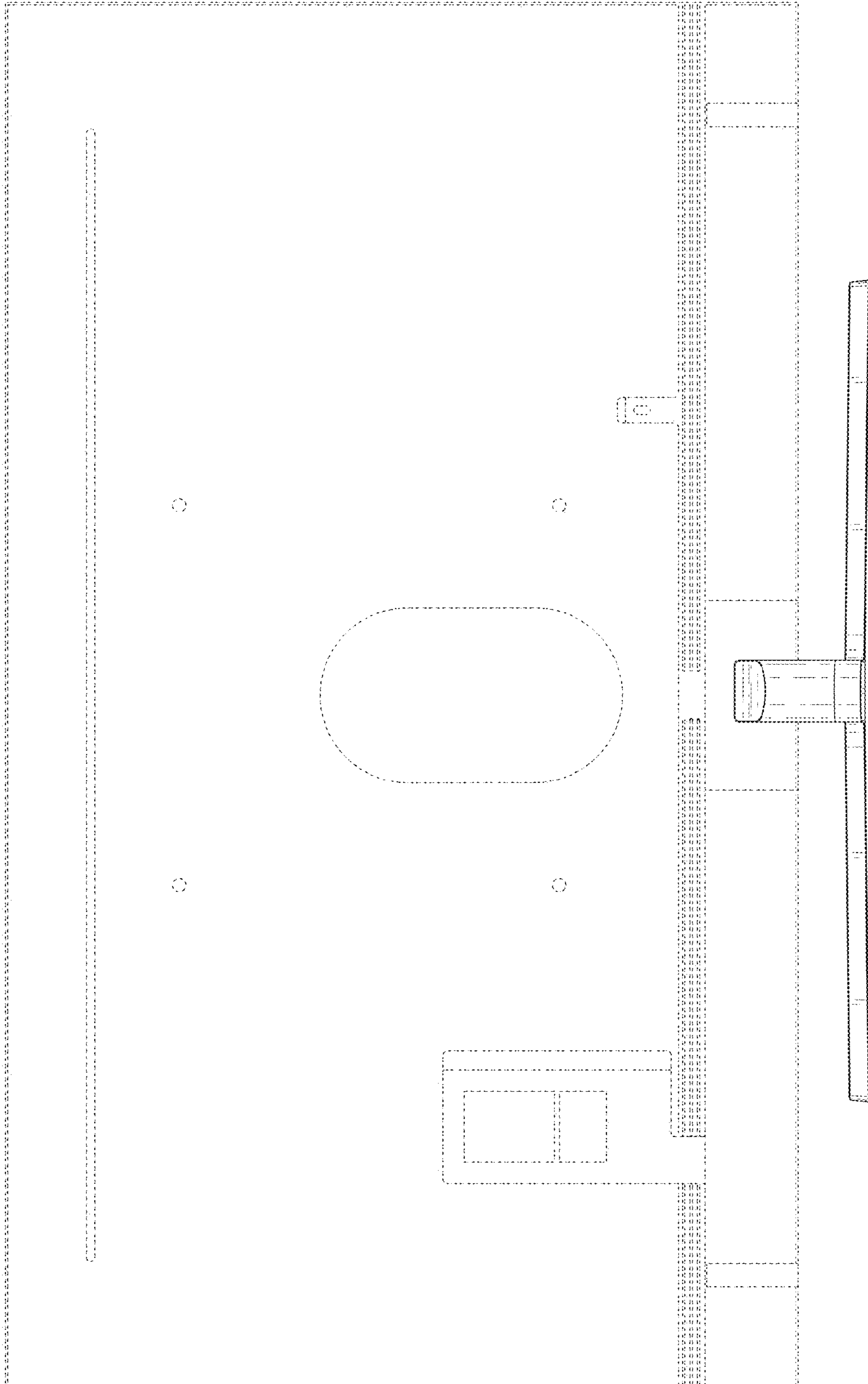


FIG. 4

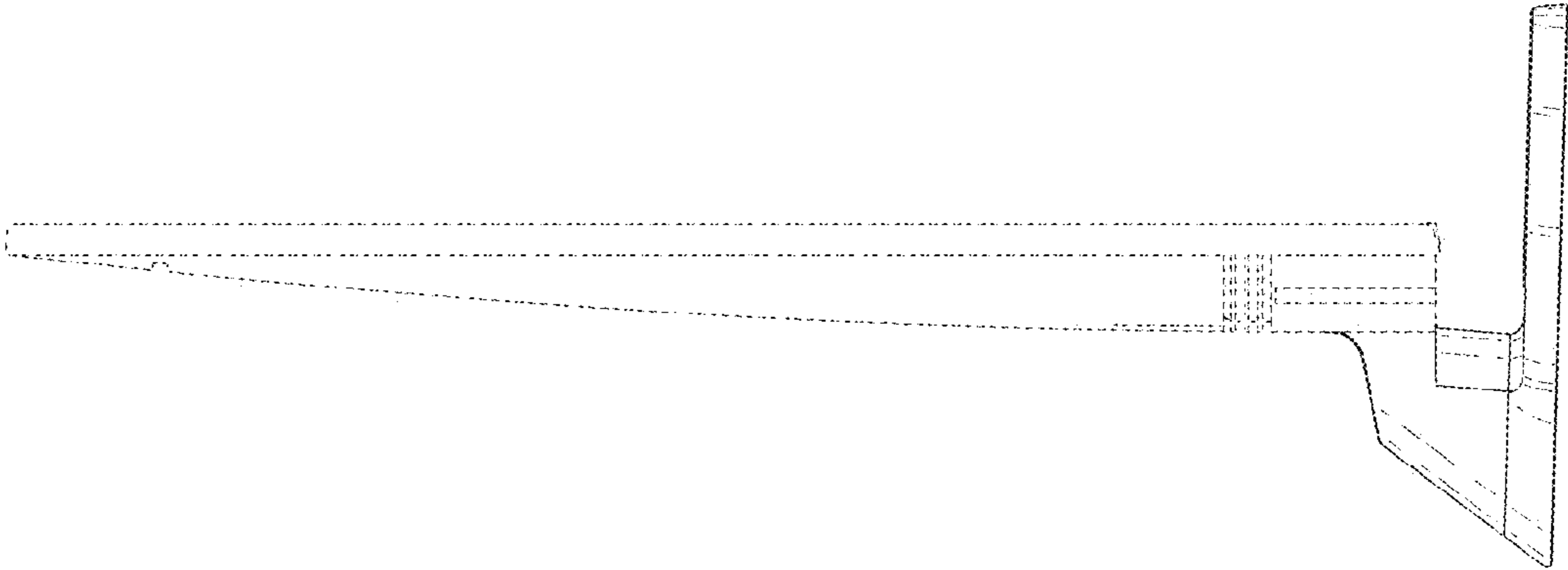


FIG. 5

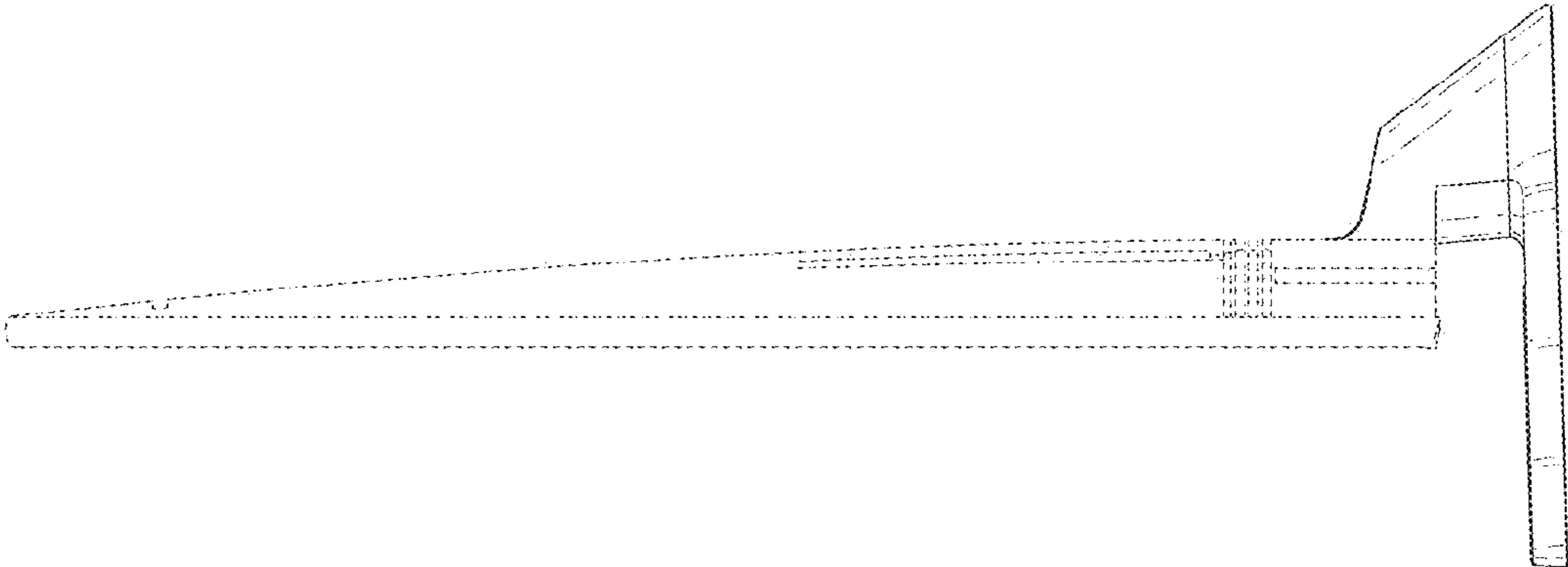


FIG. 6

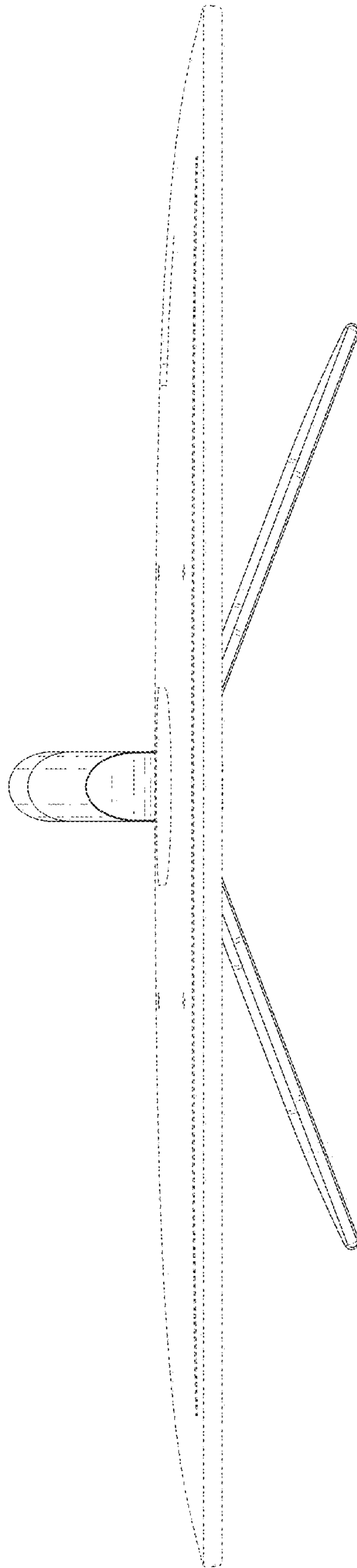




FIG. 7

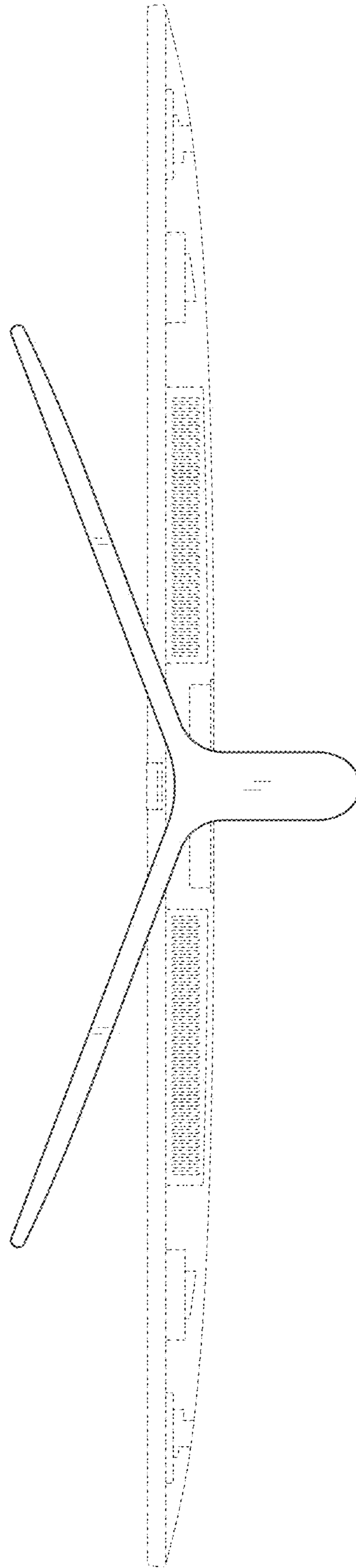


FIG. 8

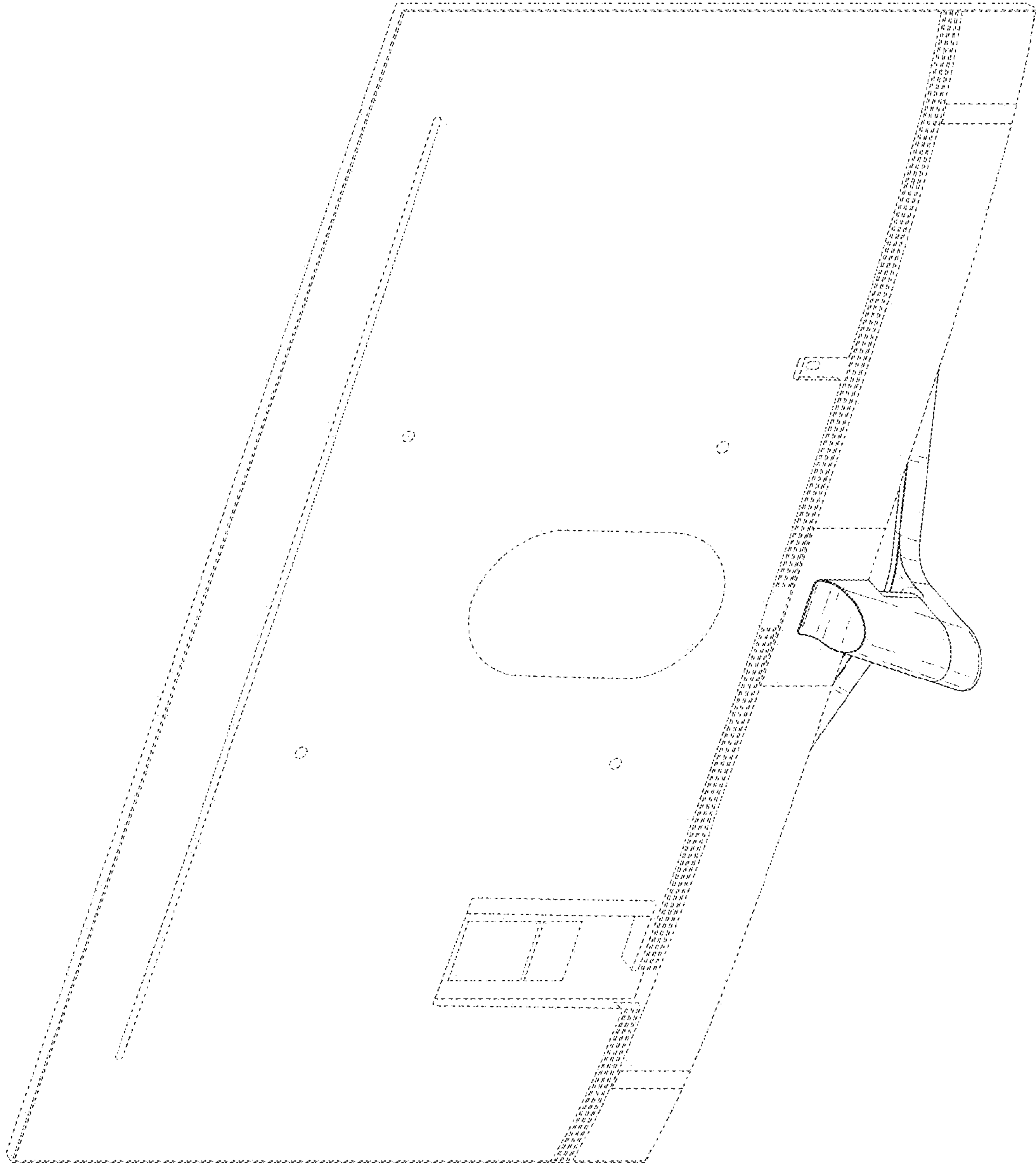


FIG. 9

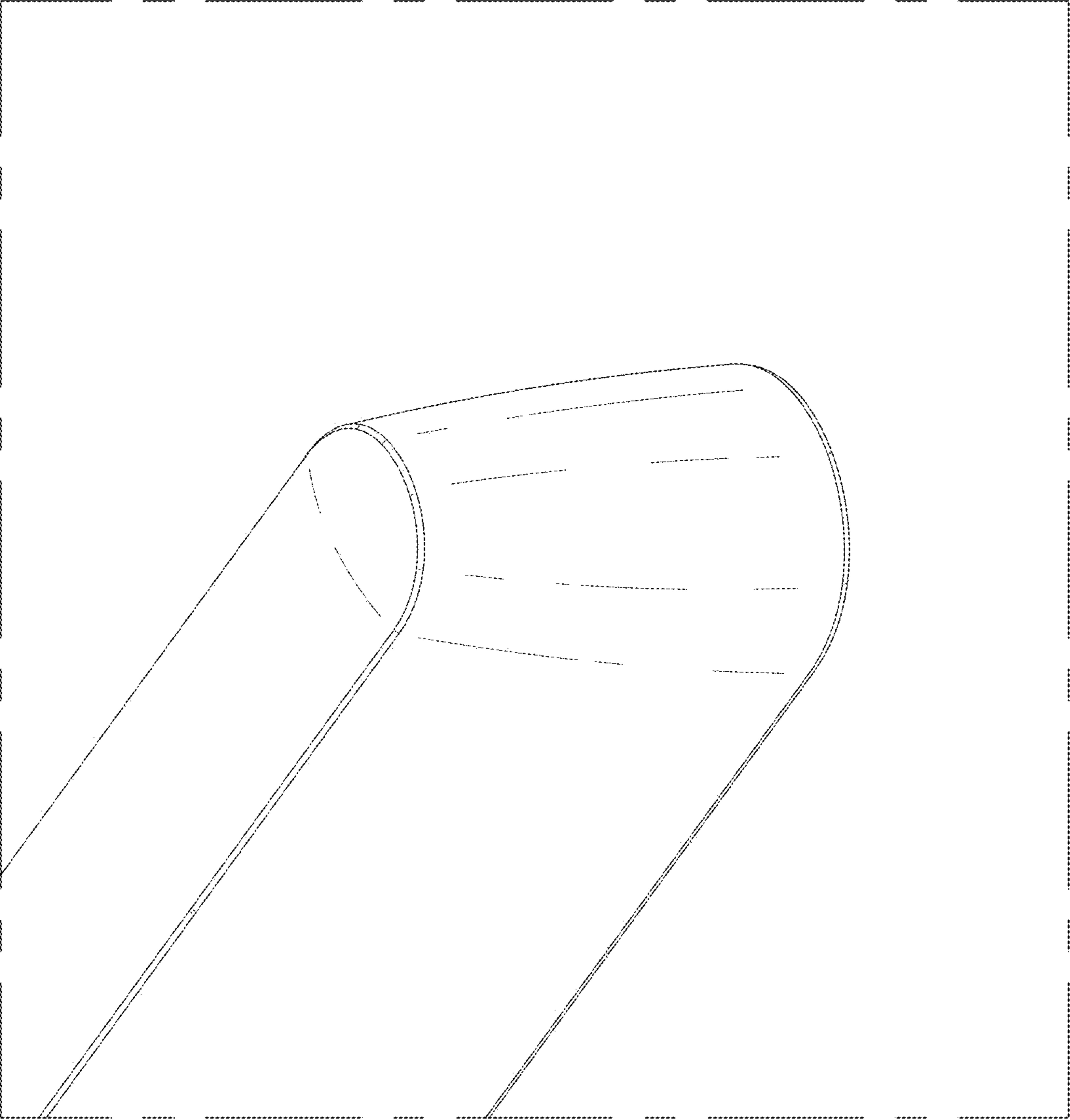


FIG. 10

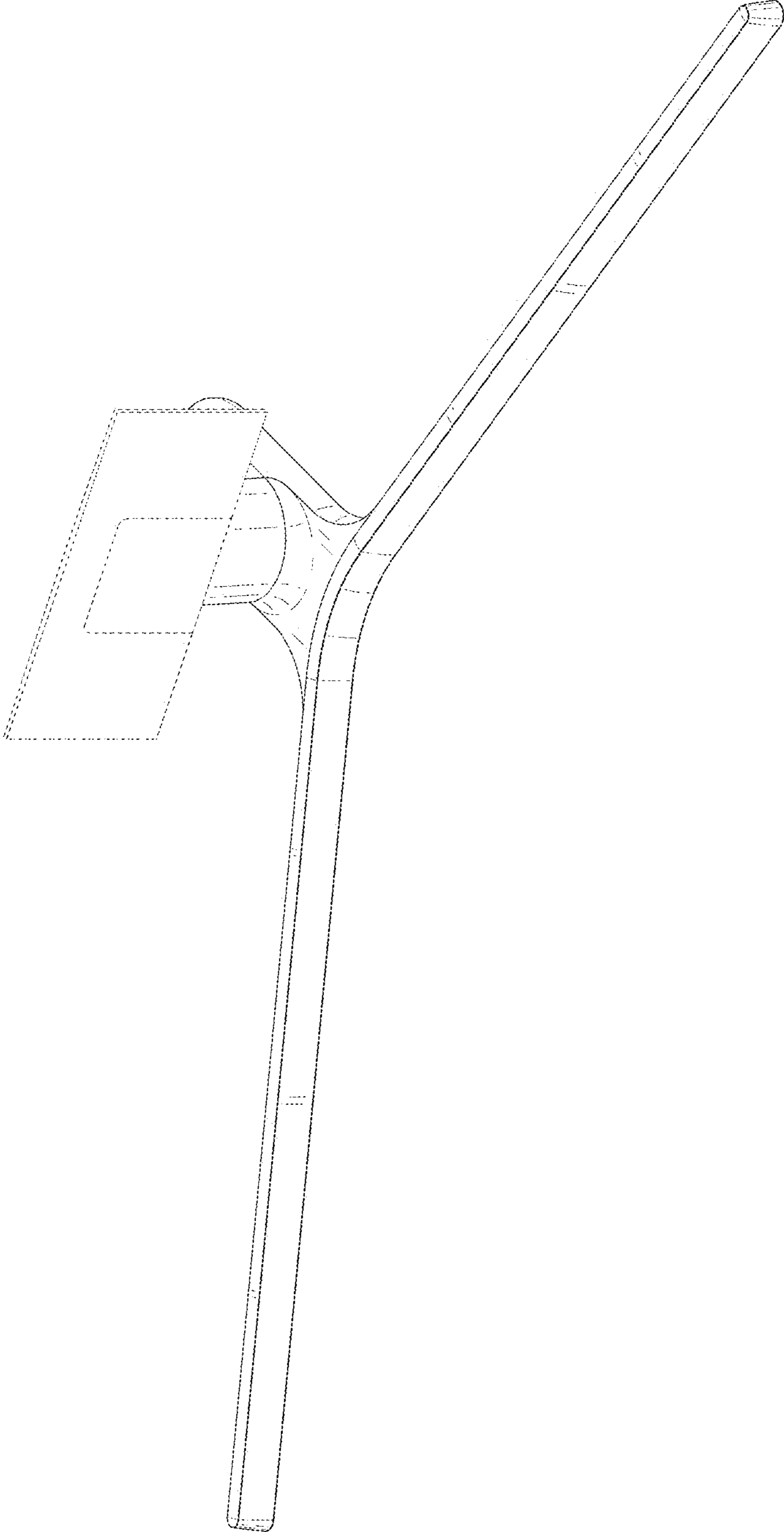


FIG. 11

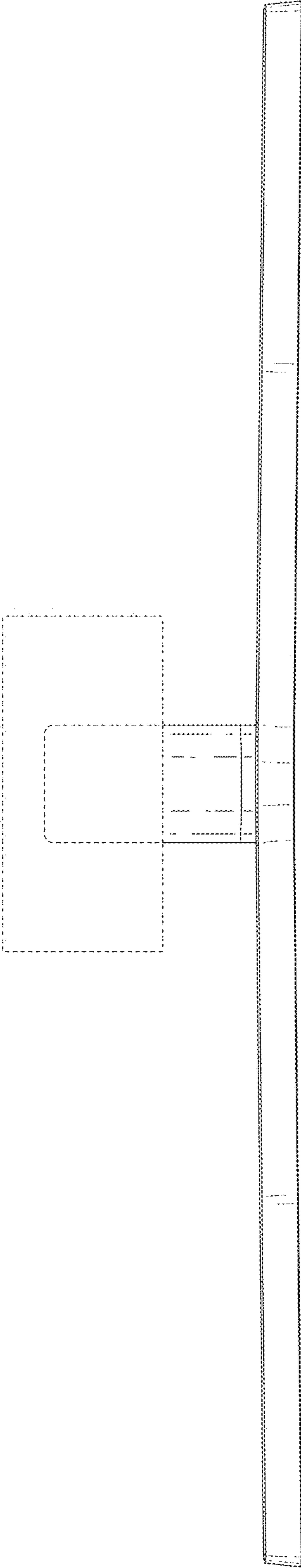


FIG. 12

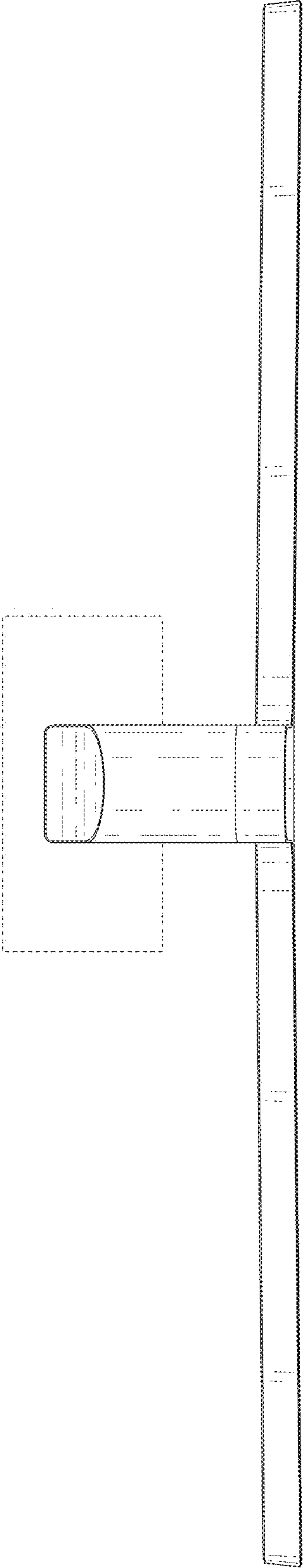


FIG. 13

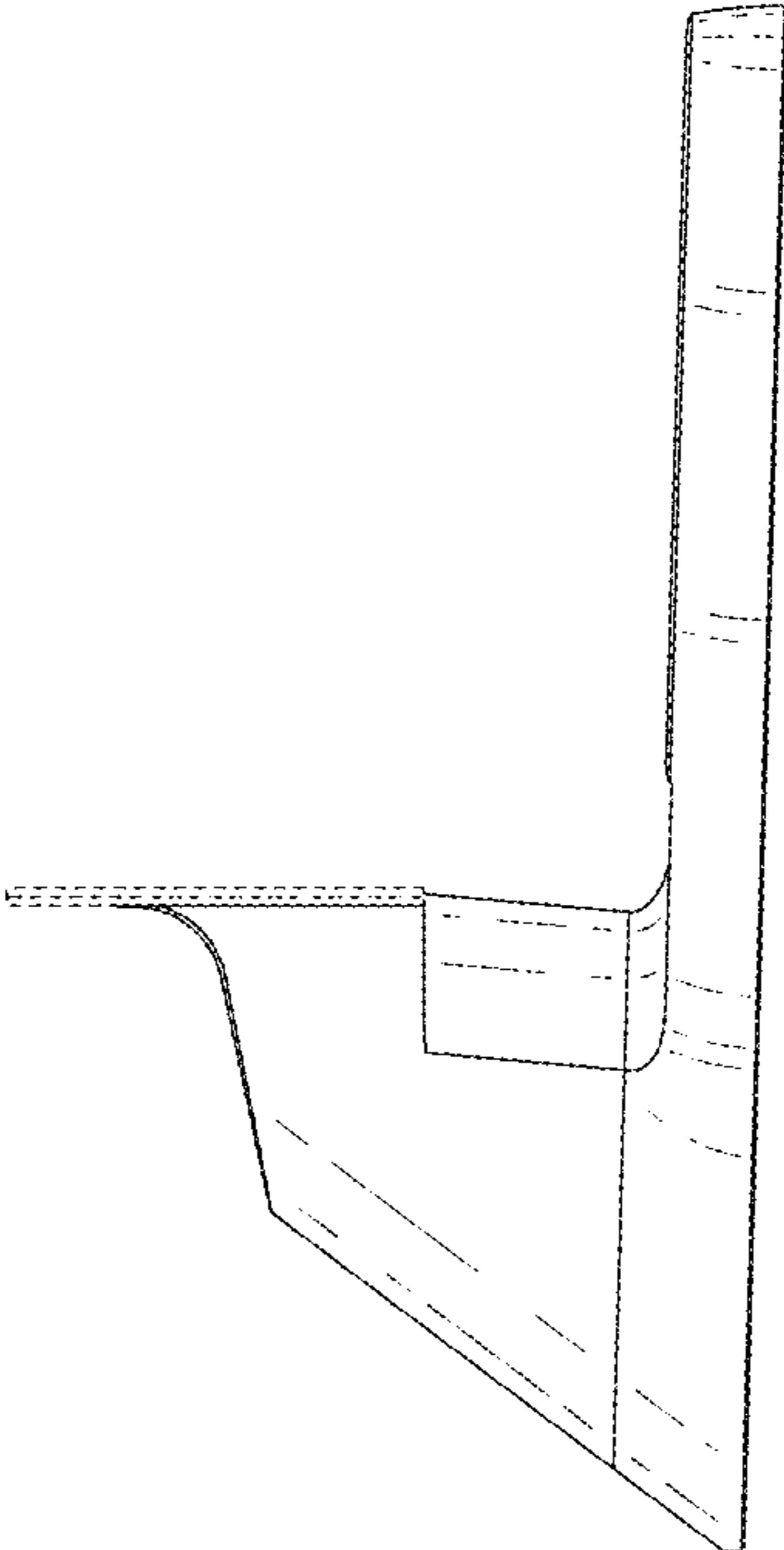


FIG. 14

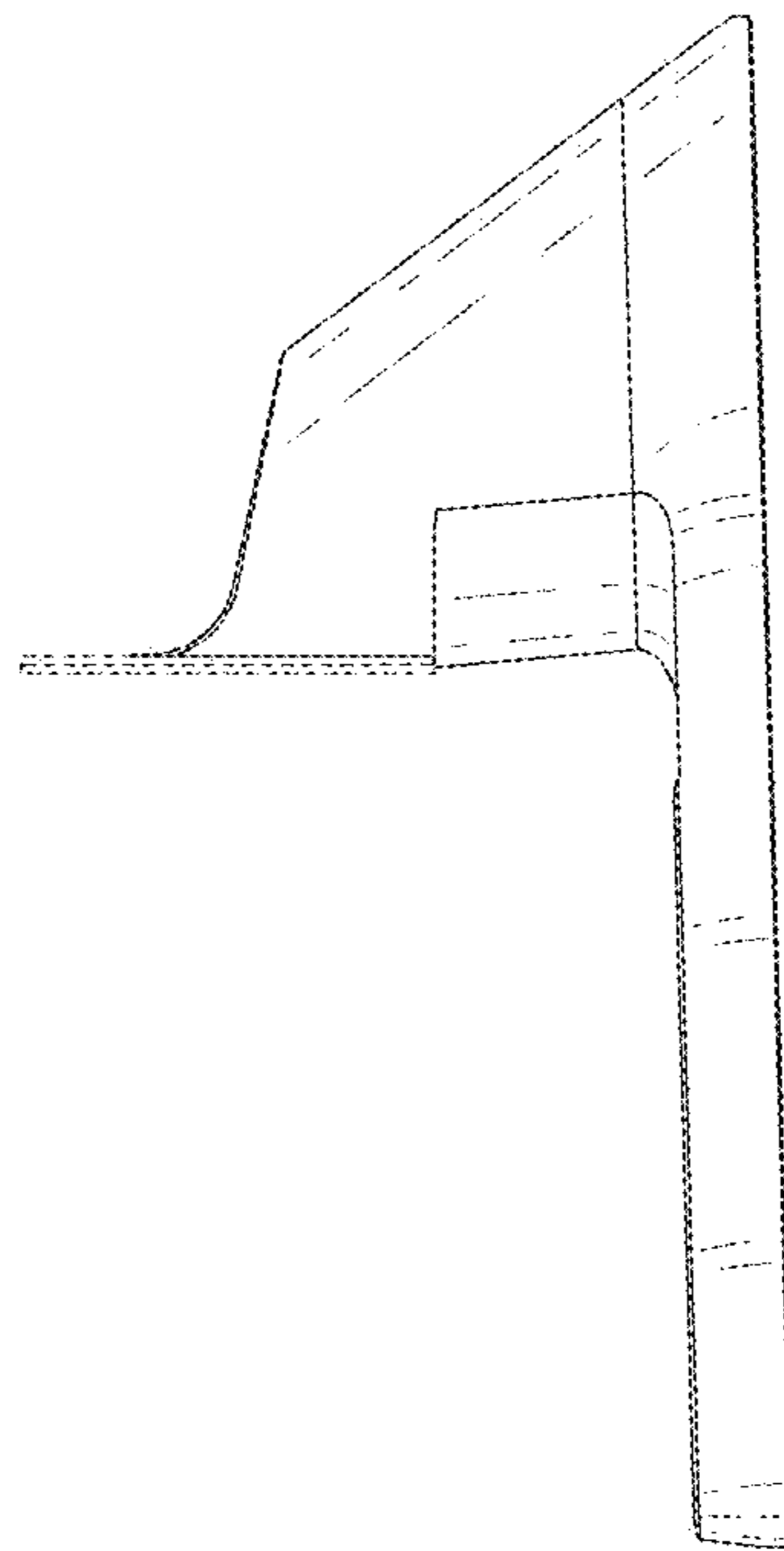




FIG. 15

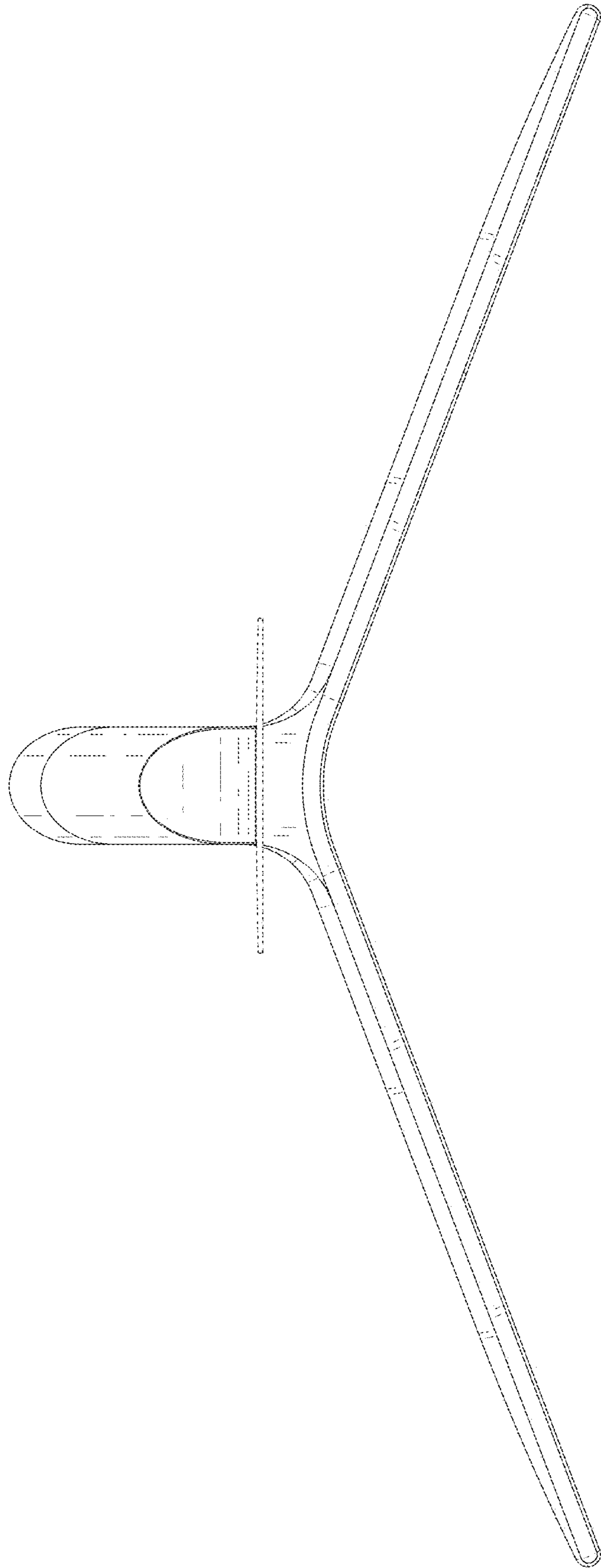


FIG. 16

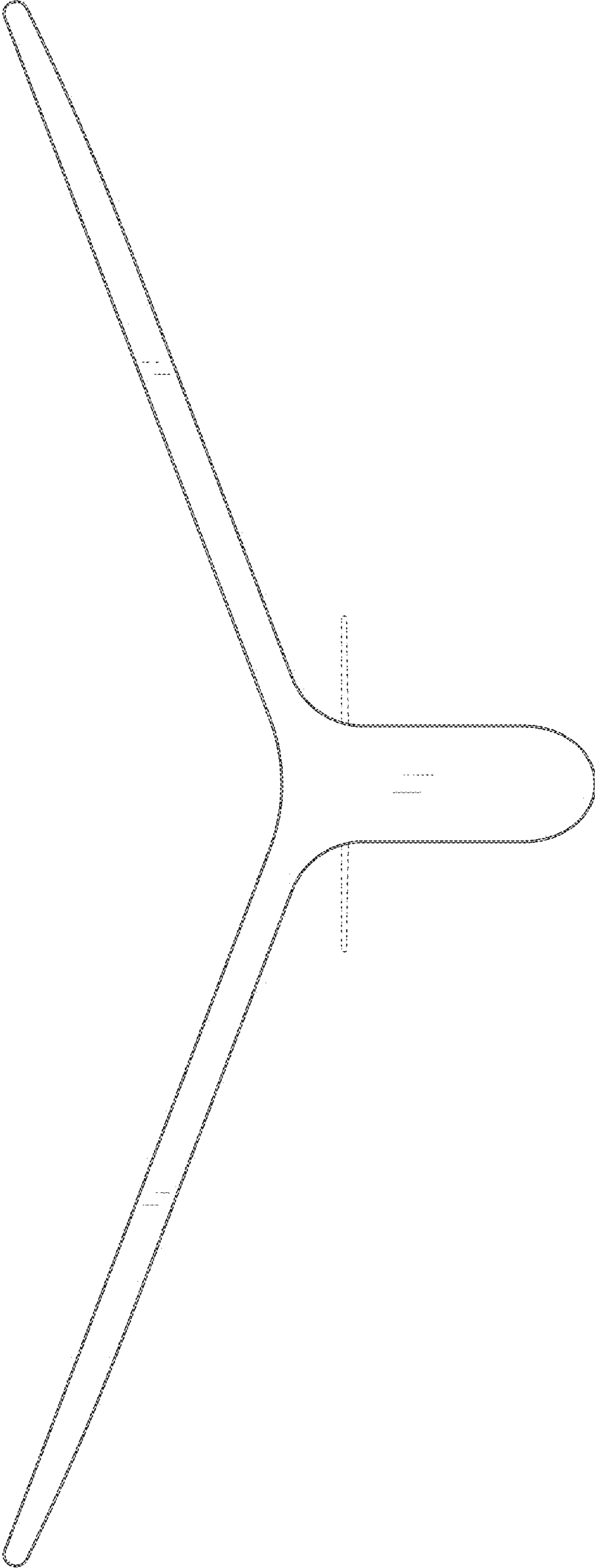


FIG. 17

