



US00D892089S

(12) **United States Design Patent**  
**Karayiannis et al.**

(10) **Patent No.:** **US D892,089 S**

(45) **Date of Patent:** **\*\* Aug. 4, 2020**

(54) **HEADPHONE**

- (71) Applicant: **Harman International Industries, Incorporated**, Northridge, CA (US)
- (72) Inventors: **Effrosini A. Karayiannis**, St. Louis, MO (US); **Ryan Ott**, North Hollywood, CA (US); **Yanyao He**, Shenzhen (CN); **Derek Campbell**, Baltimore, MD (US)
- (73) Assignee: **Harman International Industries, Incorporated**, Northridge, CA (US)

(\*\*) Term: **15 Years**

(21) Appl. No.: **29/720,428**

(22) Filed: **Jan. 13, 2020**

**Related U.S. Application Data**

(63) Continuation of application No. 29/631,265, filed on Dec. 28, 2017.

(51) **LOC (12) Cl.** ..... **14-01**

(52) **U.S. Cl.**  
USPC ..... **D14/223; D14/205**

(58) **Field of Classification Search**  
USPC .... D14/203.1, 204–206, 208–210, 212–217, D14/219, 221–225, 249, 372, 433, 138 R,  
(Continued)

(56) **References Cited**

**U.S. PATENT DOCUMENTS**

D348,066 S	‡	6/1994	Lucey	.....	D14/20
D364,162 S	‡	11/1995	Dagan	.....	D14/18

(Continued)

**FOREIGN PATENT DOCUMENTS**

CN		303338642	‡	8/2015	
CN		303347707	‡	8/2015	

(Continued)

**OTHER PUBLICATIONS**

JBL Reflect Mini 2, published Jan. 7, 2019 [online], [retrieved May 8, 2019], Available from Internet, URL: <https://www.red-dot.org/project/jbl-reflect-mini-2-24666>.‡

(Continued)

*Primary Examiner* — T Chase Nelson  
*Assistant Examiner* — Mary Claire Ramirez

(74) *Attorney, Agent, or Firm* — Plumsea Law Group, LLC

(57) **CLAIM**

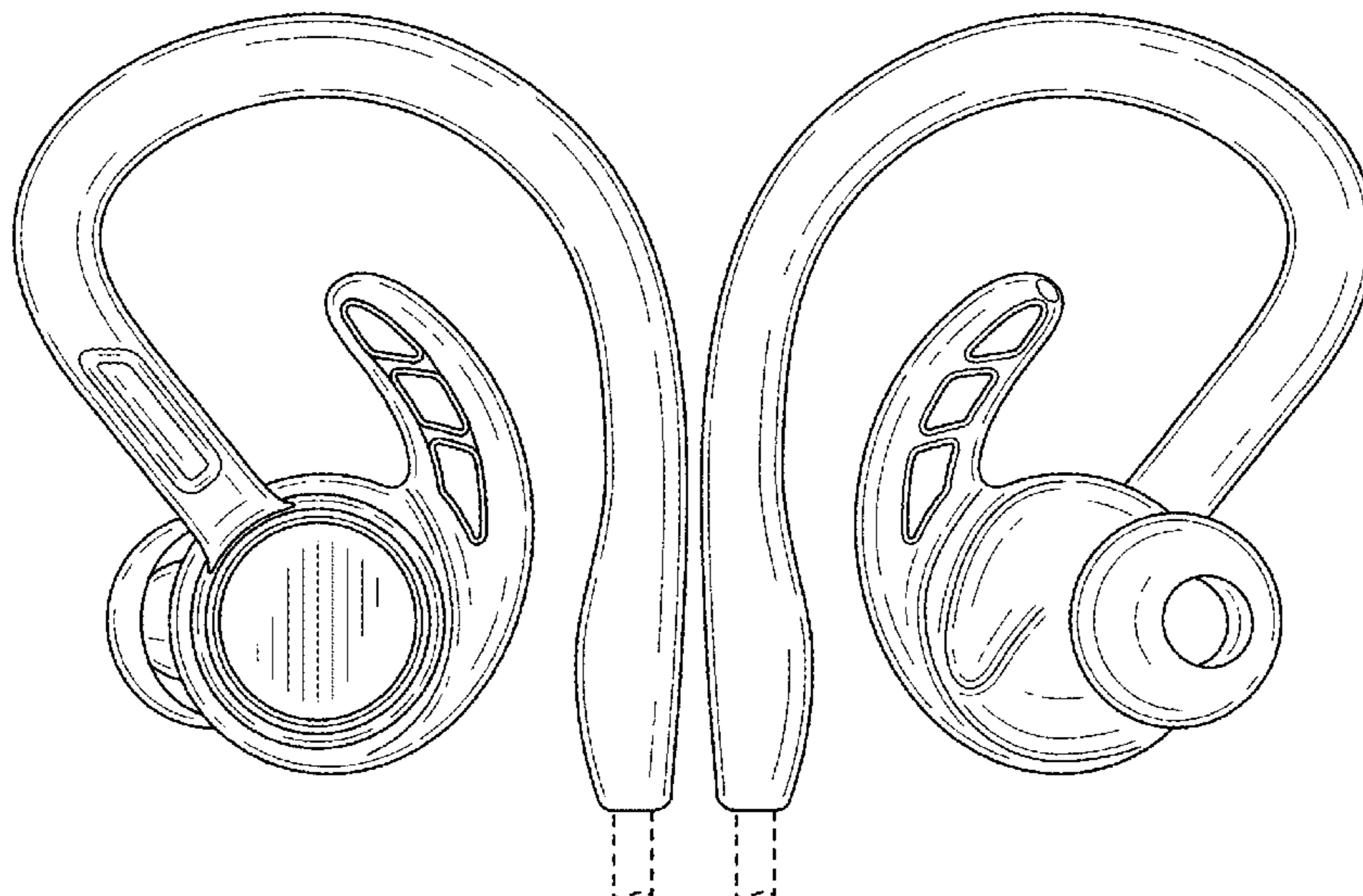
The ornamental design for a headphone, as shown and described.

**DESCRIPTION**

FIG. 1 is a perspective view of a headphone showing the new design in a first embodiment;  
 FIG. 2 is a front elevational view thereof;  
 FIG. 3 is a rear elevational view thereof;  
 FIG. 4 is a side elevational view thereof;  
 FIG. 5 is an opposite side elevational view thereof;  
 FIG. 6 is a top view thereof;  
 FIG. 7 is a bottom view thereof;  
 FIG. 8 is a perspective view of a headphone showing the new design in a second embodiment;  
 FIG. 9 is a front elevational view thereof;  
 FIG. 10 is a rear elevational view thereof;  
 FIG. 11 is a side elevational view thereof;  
 FIG. 12 is an opposite side elevational view thereof;  
 FIG. 13 is a top view thereof; and,  
 FIG. 14 is a bottom view thereof.

The broken lines shown in the drawings depict portions of the headphone that form no part of the claimed design.

**1 Claim, 8 Drawing Sheets**









(56)

References Cited

U.S. PATENT DOCUMENTS

D815,046 S † 4/2018 Blake ..... D13/15  
 D818,990 S † 5/2018 Tzeng ..... D14/205  
 D820,238 S † 6/2018 Boshernitzan ..... D14/21  
 D820,239 S † 6/2018 Yoshimura ..... D14/223  
 D821,362 S † 6/2018 Vaclavik  
 D822,009 S † 7/2018 Matoba ..... D14/22  
 D822,646 S † 7/2018 Dang ..... D14/22  
 D823,279 S † 7/2018 Chen ..... D14/20  
 D824,878 S † 8/2018 Kim ..... D14/20  
 D831,619 S † 10/2018 Matoba ..... D14/22  
 D838,258 S † 1/2019 Hsieh ..... D14/22  
 D838,690 S † 1/2019 Cheon ..... D14/216  
 D838,693 S † 1/2019 Fu ..... D14/223  
 D839,238 S † 1/2019 Hu ..... D14/205  
 D840,972 S † 2/2019 Luo ..... D14/205  
 D845,282 S † 4/2019 Chen ..... D14/223  
 D847,780 S † 5/2019 Brunner ..... H04R 25/00  
 D848,395 S † 5/2019 Kelley ..... D14/20  
 D850,407 S † 6/2019 Li ..... D14/20  
 D853,350 S † 7/2019 Linden ..... D14/20  
 D853,351 S † 7/2019 Ott ..... D14/20  
 10,419,839 B2 \* 9/2019 Ott ..... H04R 1/1066  
 D868,729 S \* 12/2019 Czaniecki ..... D14/205  
 D869,434 S \* 12/2019 Biao ..... D14/205  
 D870,707 S \* 12/2019 Yang ..... D14/223  
 D870,711 S \* 12/2019 Karayiannis ..... D14/223  
 D871,374 S 12/2019 Karayiannis et al.  
 D871,375 S \* 12/2019 Meyer ..... D14/223  
 D875,071 S \* 2/2020 Wei ..... D14/205  
 D875,710 S \* 2/2020 Bailey ..... D14/205  
 D876,399 S \* 2/2020 Duddy ..... D14/223  
 2010/0135517 A1 † 6/2010 Murozaki ..... H04R 1/1016  
 381/386  
 2011/0103609 A1 † 5/2011 Pelland ..... H04R 1/1041  
 381/74  
 2011/0249856 A1 † 10/2011 Takei ..... H04R 1/1016  
 381/38  
 2012/0155689 A1 † 6/2012 Milodzikowski .... H04R 1/1016  
 381/37  
 2013/0114841 A1 † 5/2013 Hwang ..... H04R 1/10  
 381/37  
 2013/0170692 A1 † 7/2013 Kaneko ..... H04R 1/1016  
 381/380  
 2015/0222978 A1 † 8/2015 Murozaki ..... H04R 1/1016  
 381/38  
 2018/0103309 A1 † 4/2018 Ozawa ..... H04R 5/033  
 2019/0349659 A1 \* 11/2019 Ott ..... H04R 1/1066

FOREIGN PATENT DOCUMENTS

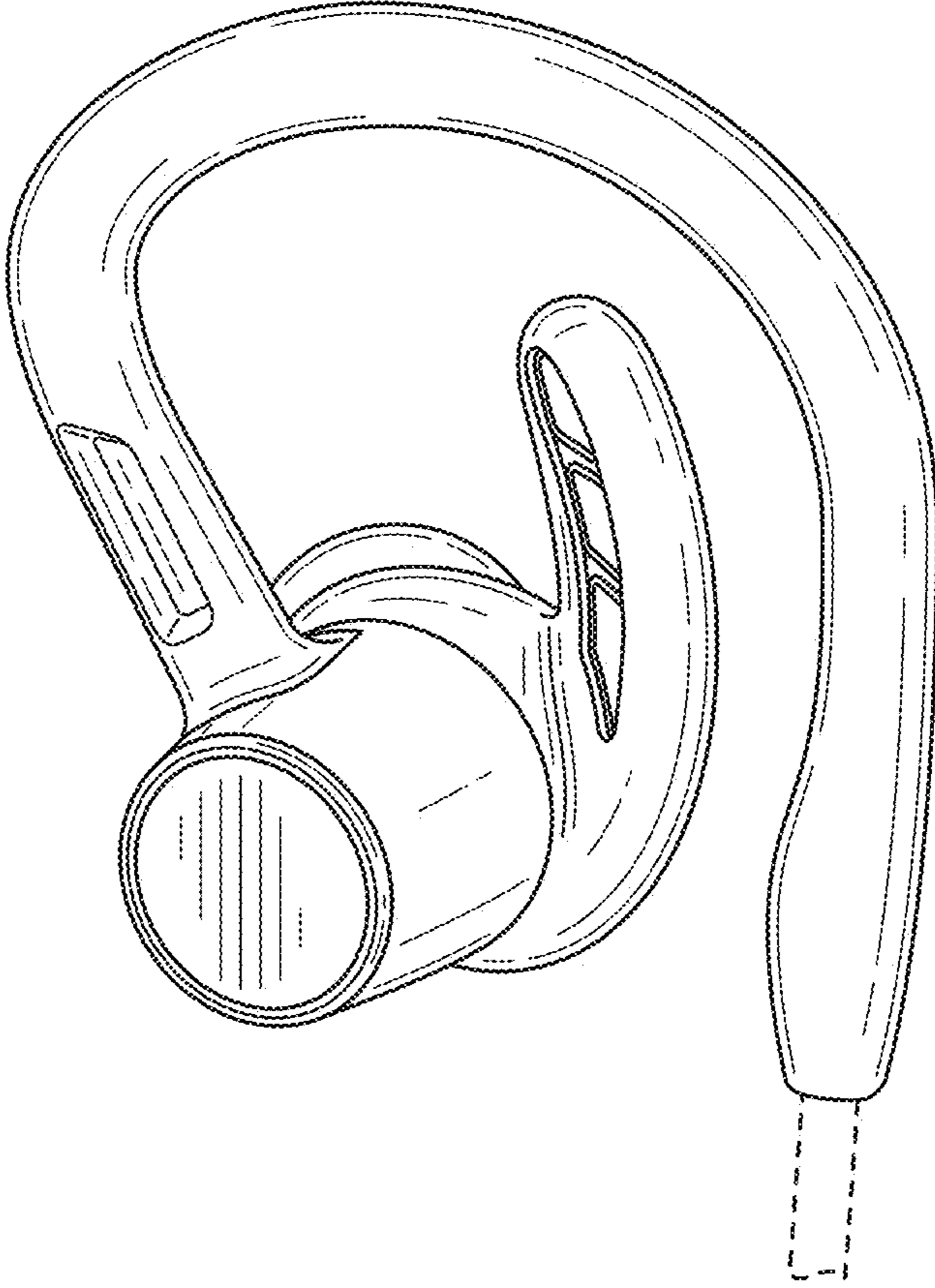
CN 303590971 † 2/2016  
 CN 303773695 † 3/2016  
 CN 303773695 † 8/2016  
 CN 303931450 † 11/2016  
 CN 303987634 † 12/2016  
 CN 304297232 † 9/2017  
 CN 304301289 † 9/2017

CN 304317823 10/2017  
 CN 304317823 S † 10/2017  
 CN 304426607 † 12/2017  
 EM 002756031-0001 † 9/2015  
 EM 004037588-0002 † 6/2017

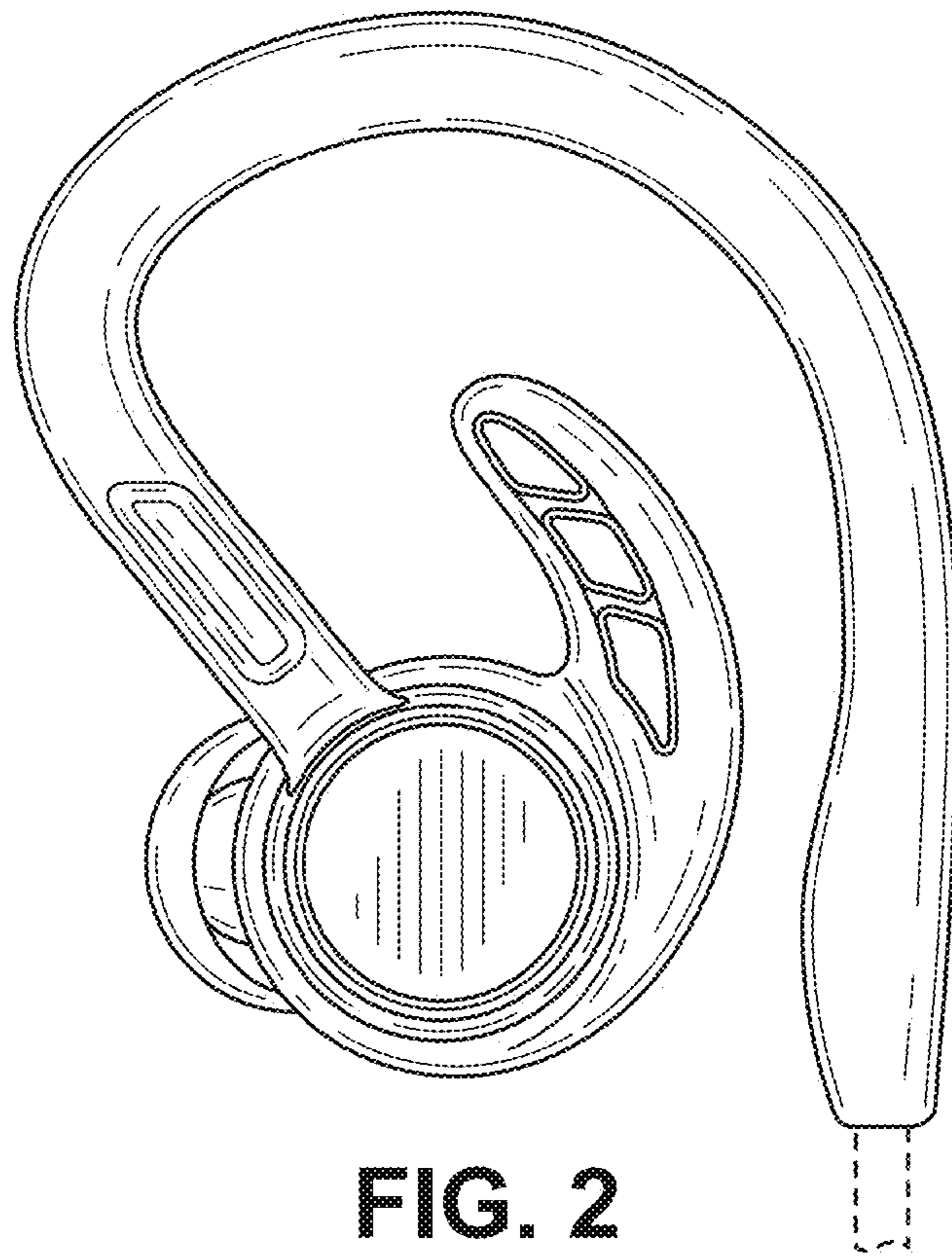
OTHER PUBLICATIONS

UA True Wireless Flash, published Jan. 7, 2019 [online], [retrieved May 7, 2019], Available from Internet, URL: <<https://news.harman.com/releases/true-wireless-freedom-jblR-and-under-armouR-unleash-the-ua-flash-for-athletes-looking-to-push-limits>>. †  
 Design U.S. Appl. No. 29/631,217, filed Dec. 28, 2017. †  
 Design U.S. Appl. No. 29/631,197, filed Dec. 28, 2017. †  
 JBL Everest Elite 100 Specification Sheet, JBL by Harman, 2015. †  
 JBL Everest Elite 100 Quick Start Guide, JBL by Harman, Jan. 18, 2016. †  
 Design U.S. Appl. No. 29/615,326, filed Aug. 28, 2017. †  
 JBL Everest Elite 100 NXTGEN Noise-Cancelling Bluetooth In-Ear Headphones Black, first available Mar. 15, 2016, site visited Nov. 20, 2017, Copyright © 1996-2017, <[https://www.amazon.com/JBL-Everest-Elite-Noise-Cancelling-Bluetooth-Headphones/dp/B01D0CEC62/ref=sr\\_1\\_2\\_sspa?ie=UTF8&qid=1511212239&sr=8-2-spoon&keywords=jbl+everest+elite&psc=1&smid=AKR88PAWTQVN2](https://www.amazon.com/JBL-Everest-Elite-Noise-Cancelling-Bluetooth-Headphones/dp/B01D0CEC62/ref=sr_1_2_sspa?ie=UTF8&qid=1511212239&sr=8-2-spoon&keywords=jbl+everest+elite&psc=1&smid=AKR88PAWTQVN2)>. †  
 Design U.S. Appl. No. 29/560,428, filed Apr. 6, 2018. †  
 JBL TUNE120TWS in-ear headphones, published Jan. 7, 2019 [online], [retrieved May 8, 2019], Available from Internet, URL: <https://news.harman.com/releases/releases-20181231-6736942>. †  
 JBL Under Armour Sport Wireless React Bluetooth In-Ear Headphones, published Dec. 8, 2018 [online], [retrieved May 21, 2019], Available from Internet, URL: [https://www.bhphotovideo.com/c/product/1437894-REG/jbl\\_uajblreactblkam\\_under\\_armour\\_react\\_wireless.html](https://www.bhphotovideo.com/c/product/1437894-REG/jbl_uajblreactblkam_under_armour_react_wireless.html). †  
 JBL Under Armour Pivot Wireless Sport In-Ear Headphones, published Dec. 19, 2018 [online], [retrieved May 21, 2019], Available from Internet, URL: [https://www.bhphotovideo.com/c/product/1437243-REG/jbl\\_uajblpivotblkam\\_under\\_armour\\_sport\\_wireless.html](https://www.bhphotovideo.com/c/product/1437243-REG/jbl_uajblpivotblkam_under_armour_sport_wireless.html). †  
 JBL Under Armour Sport Wireless React Bluetooth In-Ear Headphones, published Dec. 8, 2018 [online], [retrieved Jul. 8, 2019], Available from Internet, URL: [https://www.bhphotovideo.com/c/product/1437894-REG/jbl\\_uajblreactblkam\\_under\\_armour\\_react\\_wireless.html](https://www.bhphotovideo.com/c/product/1437894-REG/jbl_uajblreactblkam_under_armour_react_wireless.html). †  
 JBL Everest Elite 100 NXTGEN Noise-Cancelling Bluetooth In-Ear Headphones Black, first available Mar. 15, 2016, site visited Nov. 20, 2017, Copyright © 1996-2017, <[https://www.amazon.com/JBL-Everest-Elite-Noise-Cancelling-Bluetooth-Headphones/dp/B01D0CEC62/ref=sr\\_1\\_2\\_sspa?ie=UTF8&qid=1511212239&sr=8-2-spons&keywords=jbl+everest+elite&psc=1&smid=AKR88PAWTQVN2](https://www.amazon.com/JBL-Everest-Elite-Noise-Cancelling-Bluetooth-Headphones/dp/B01D0CEC62/ref=sr_1_2_sspa?ie=UTF8&qid=1511212239&sr=8-2-spons&keywords=jbl+everest+elite&psc=1&smid=AKR88PAWTQVN2)>. †  
 UA True Wireless Flash, published Jan. 7, 2019 [online], [retrieved May 7, 2019], Available from Internet, URL: <<https://news.harman.com/releases/true-wireless-freedom-jblR-and-under-armourR-unleash-the-ua-flash-for-athletes-looking-to-push-limits>>.

\* cited by examiner  
 † imported from a related application



**FIG. 1**

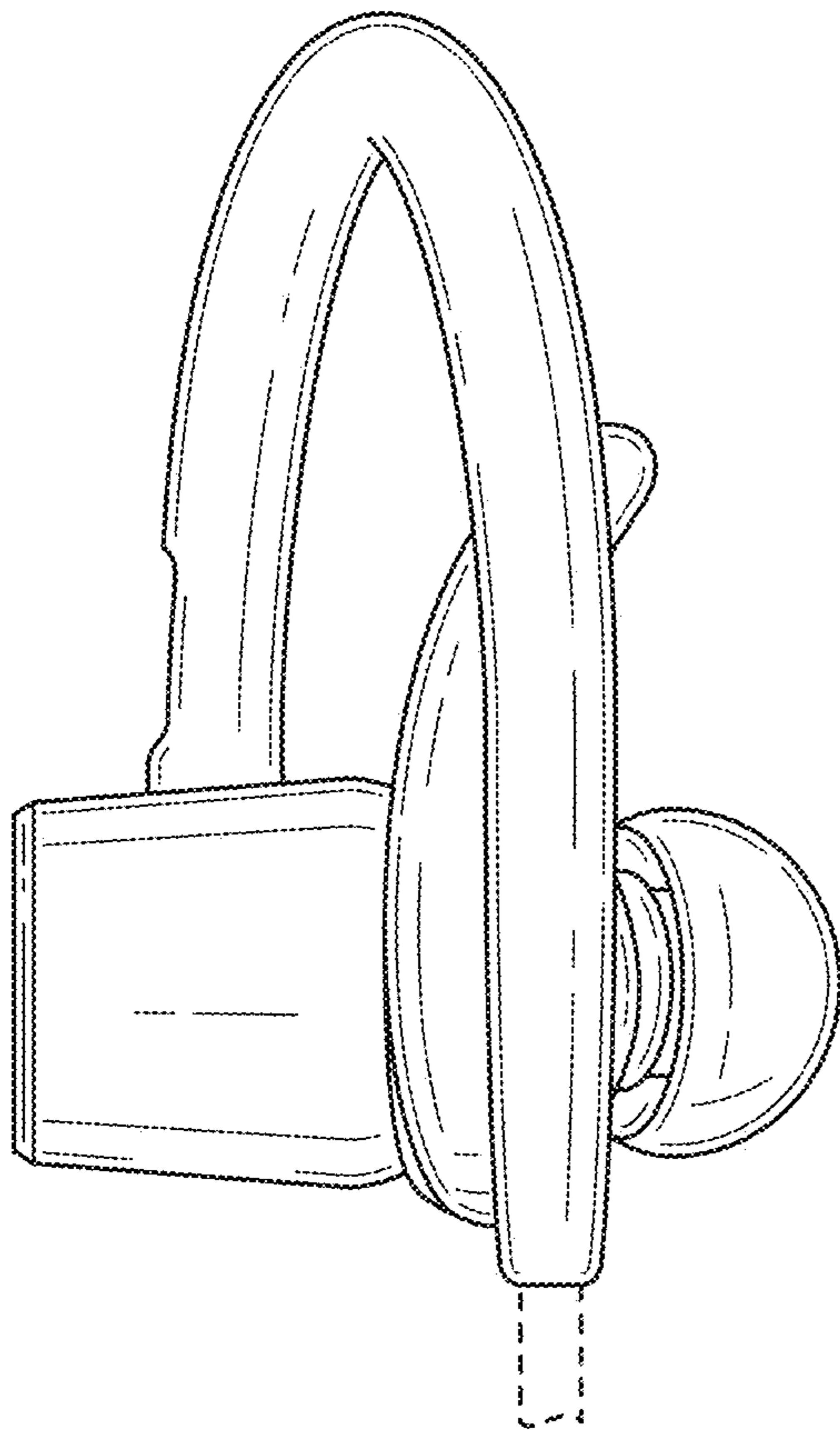


**FIG. 2**

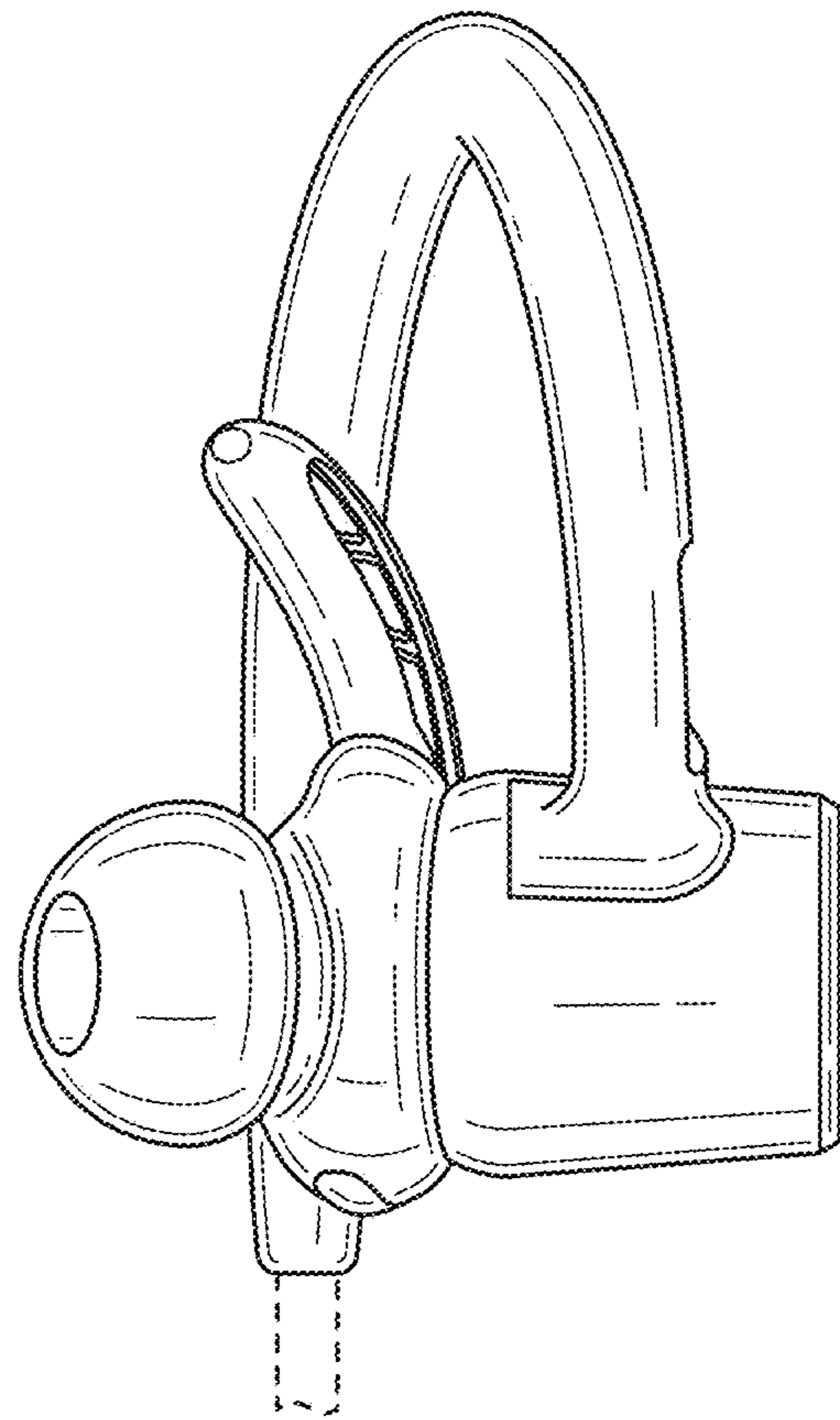


**FIG. 3**

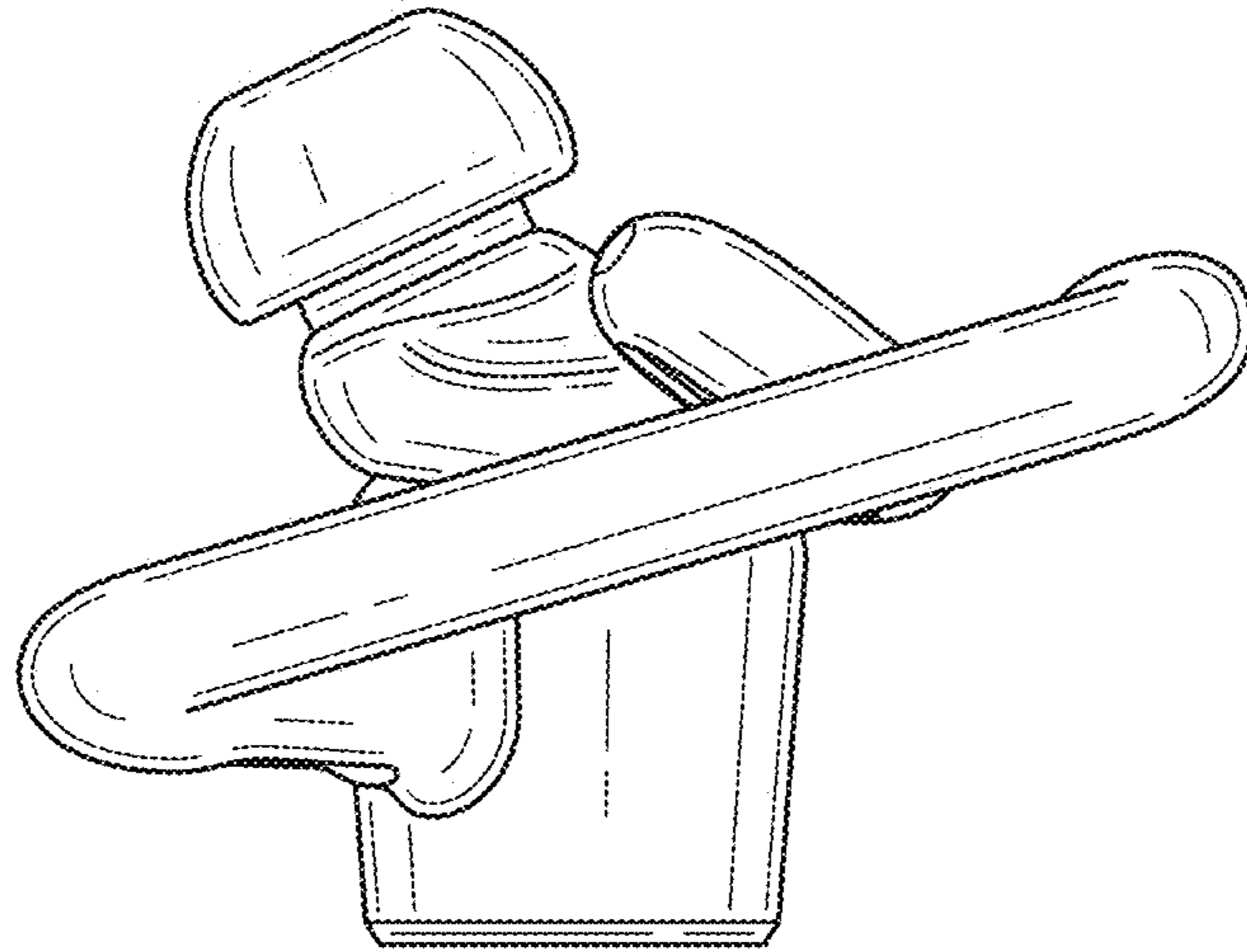




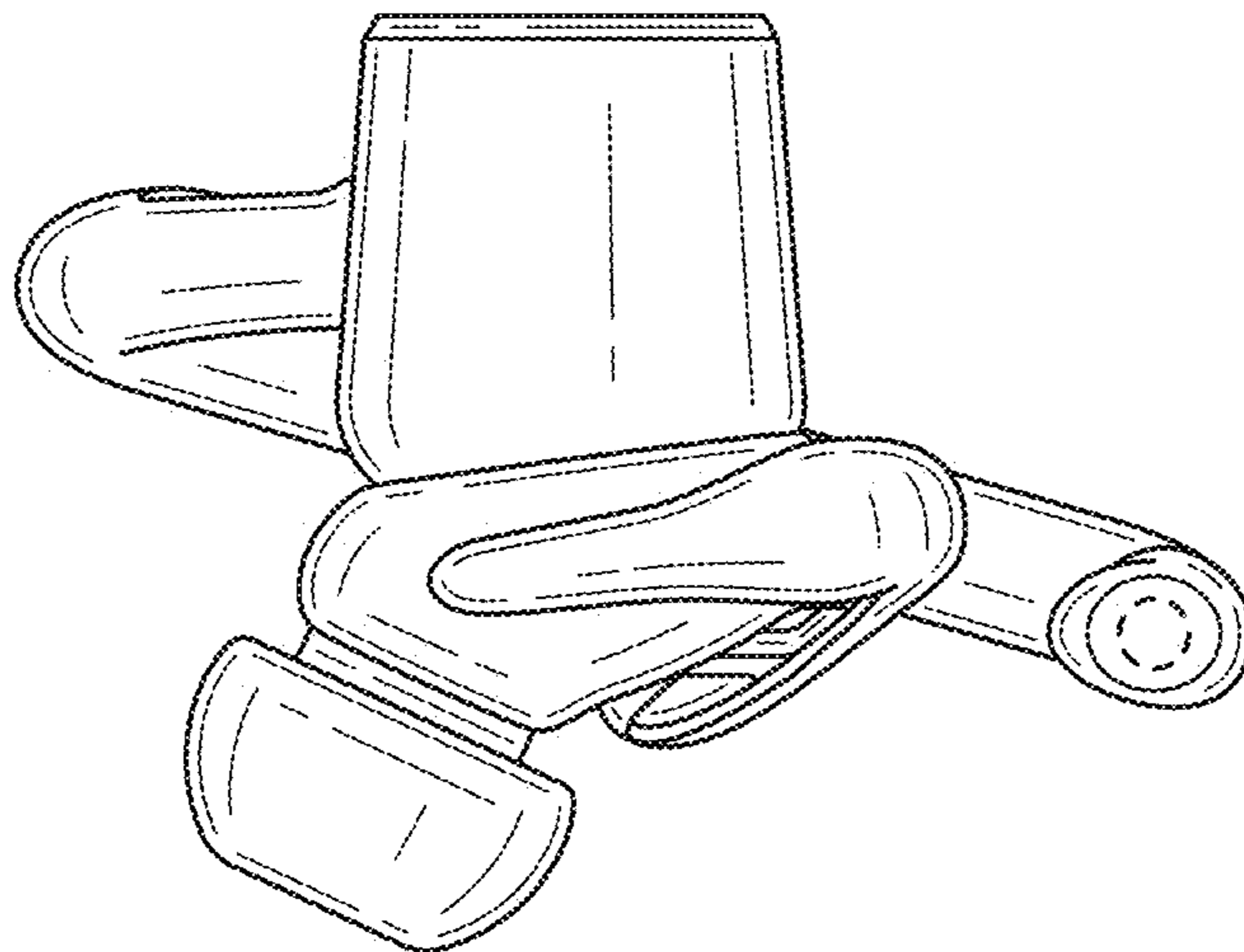
**FIG. 4**



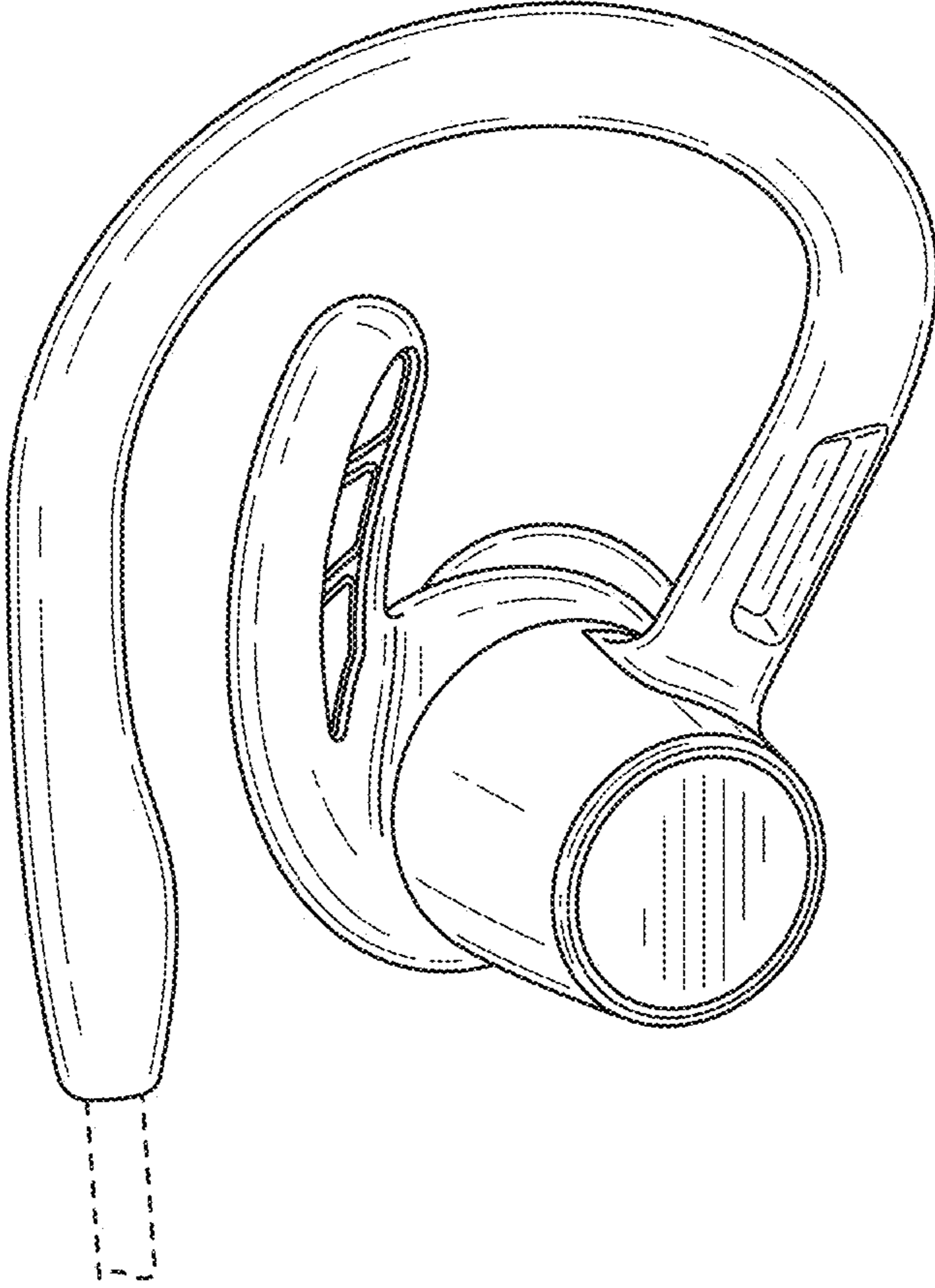
**FIG. 5**



**FIG. 6**

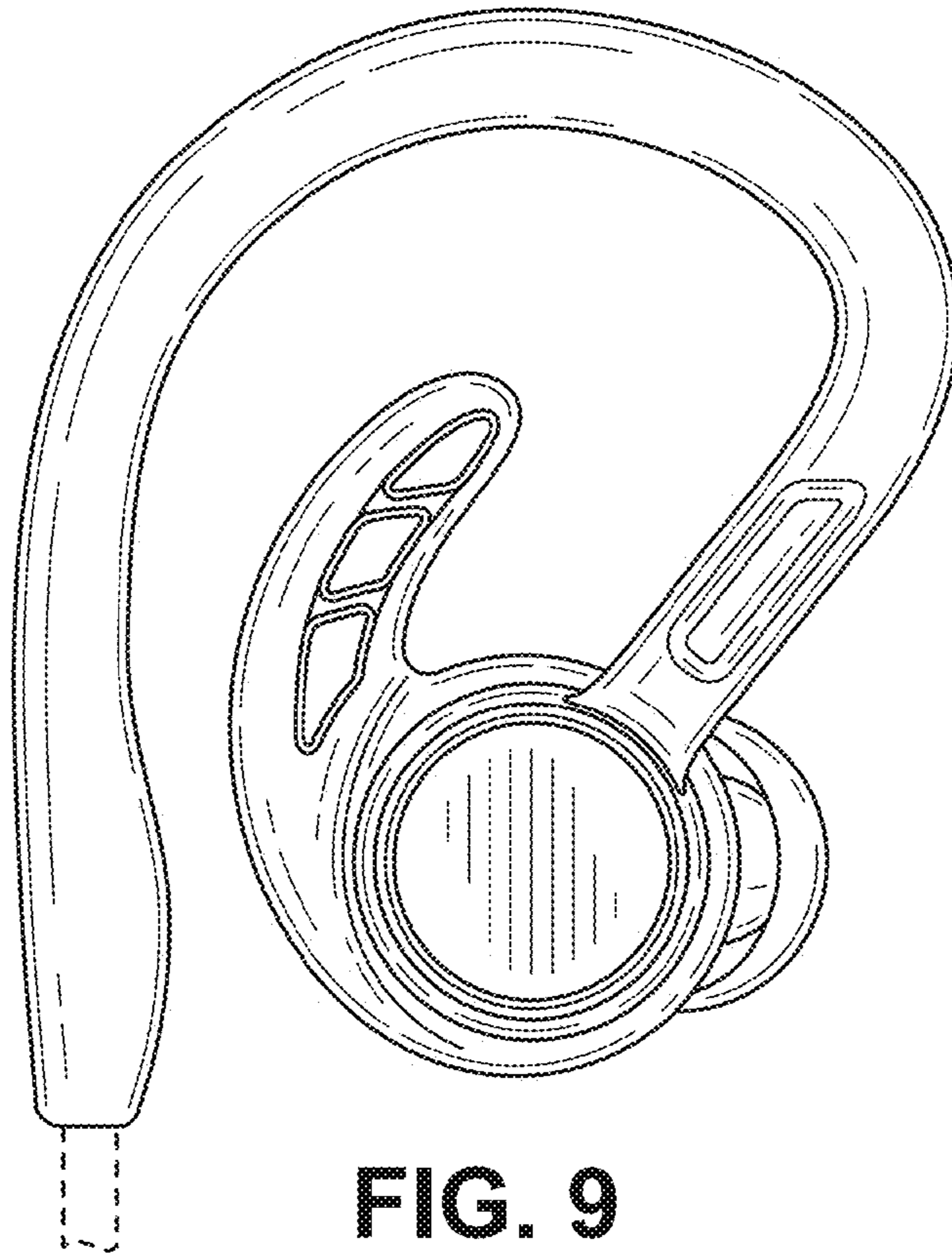


**FIG. 7**

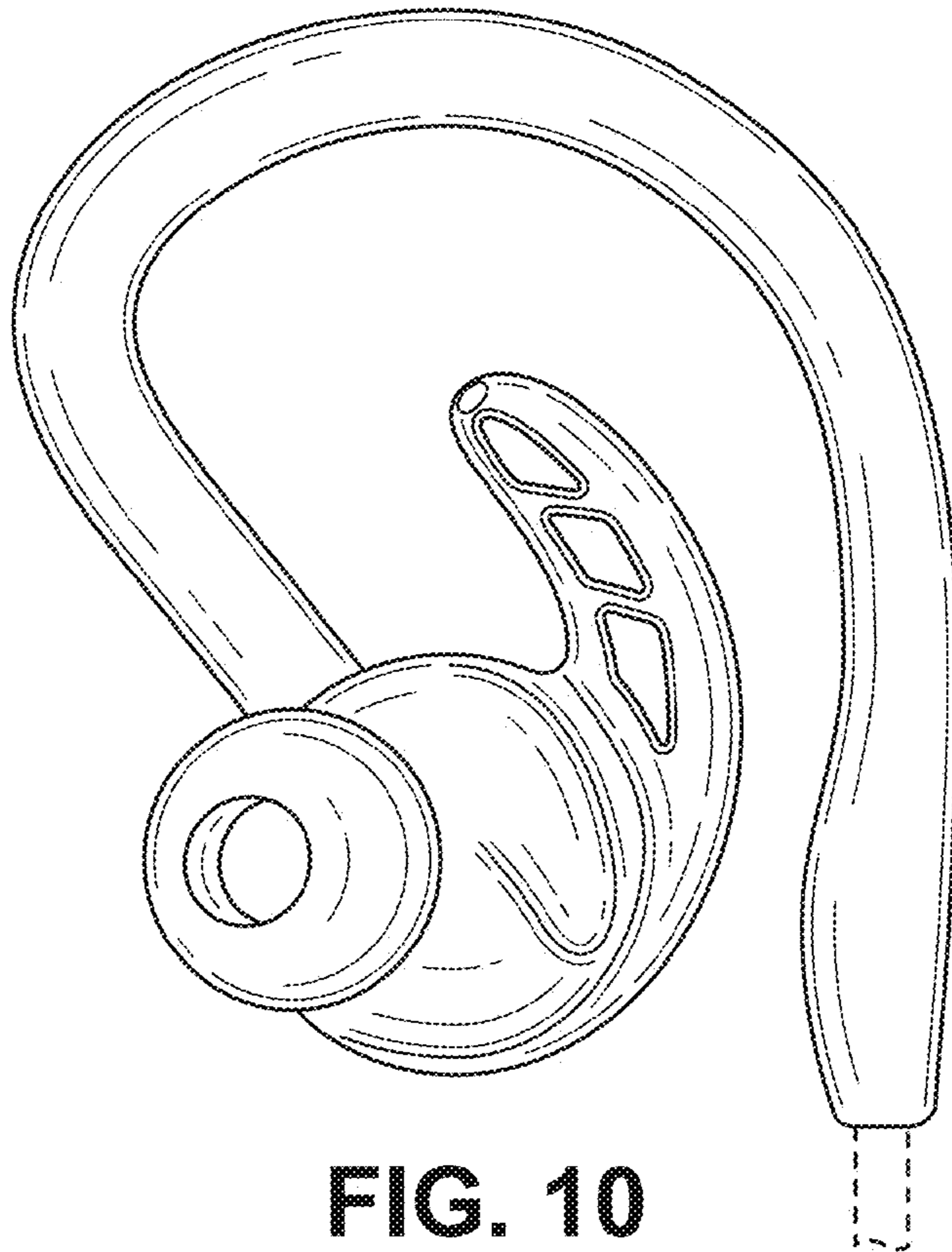


**FIG. 8**

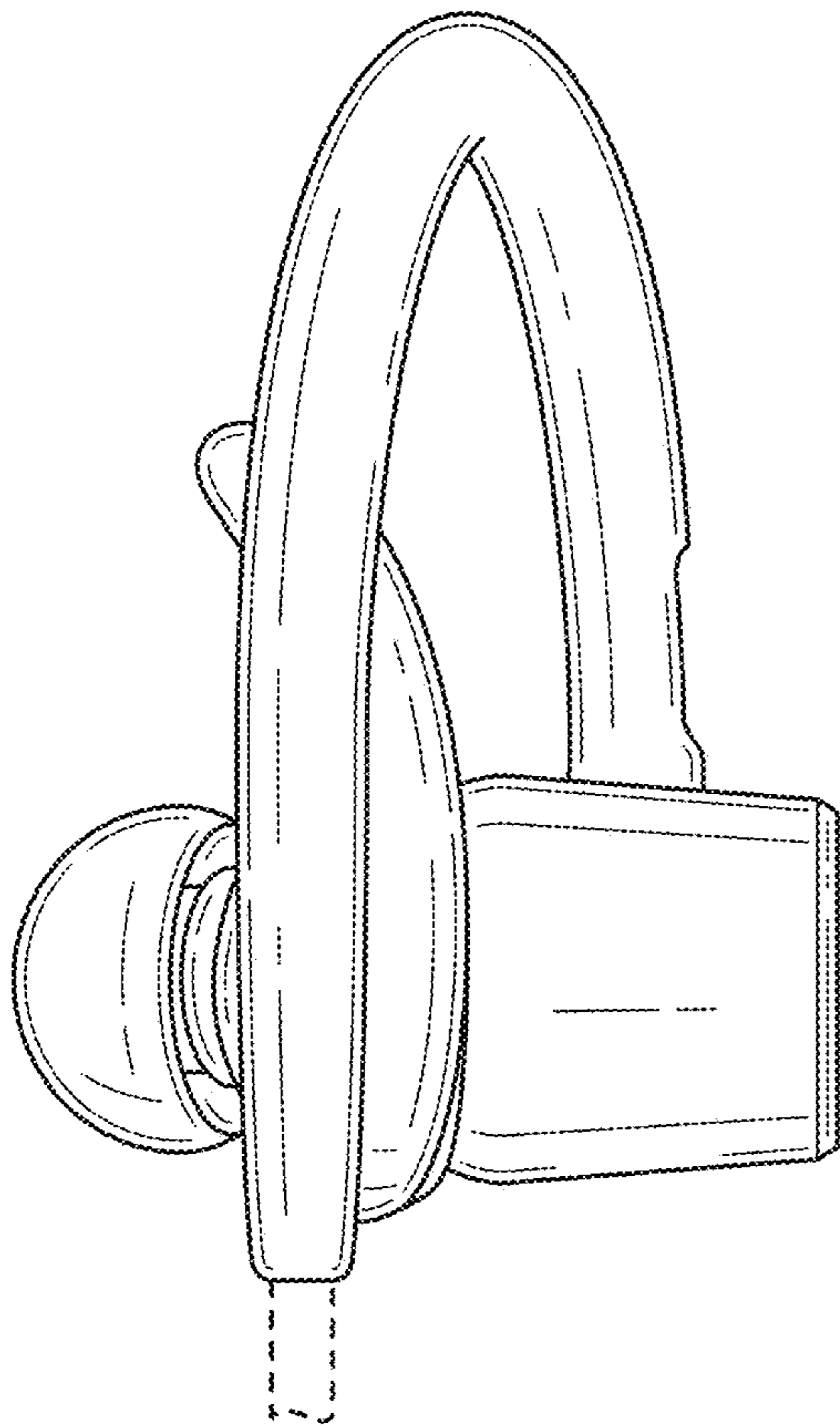




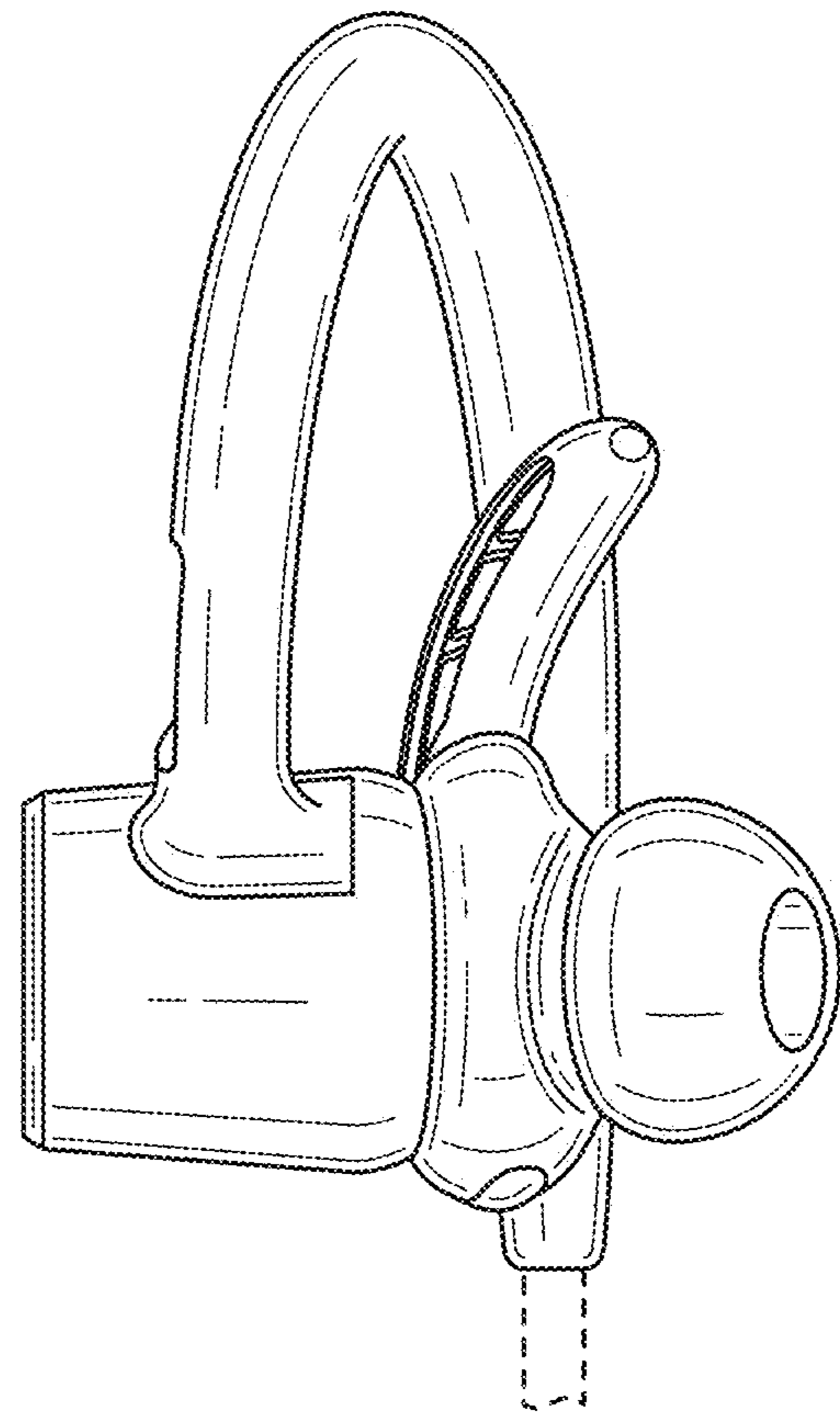
**FIG. 9**



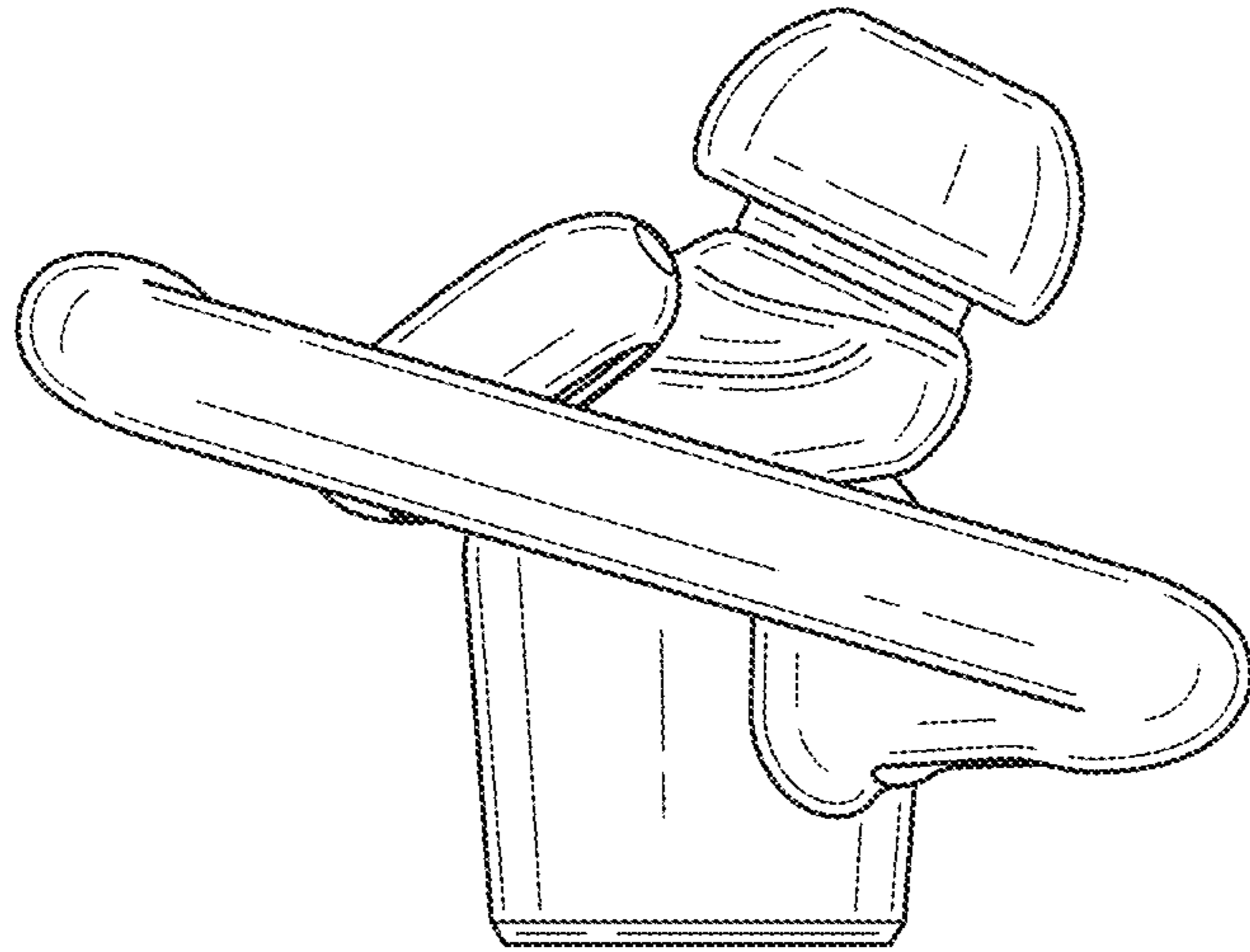
**FIG. 10**



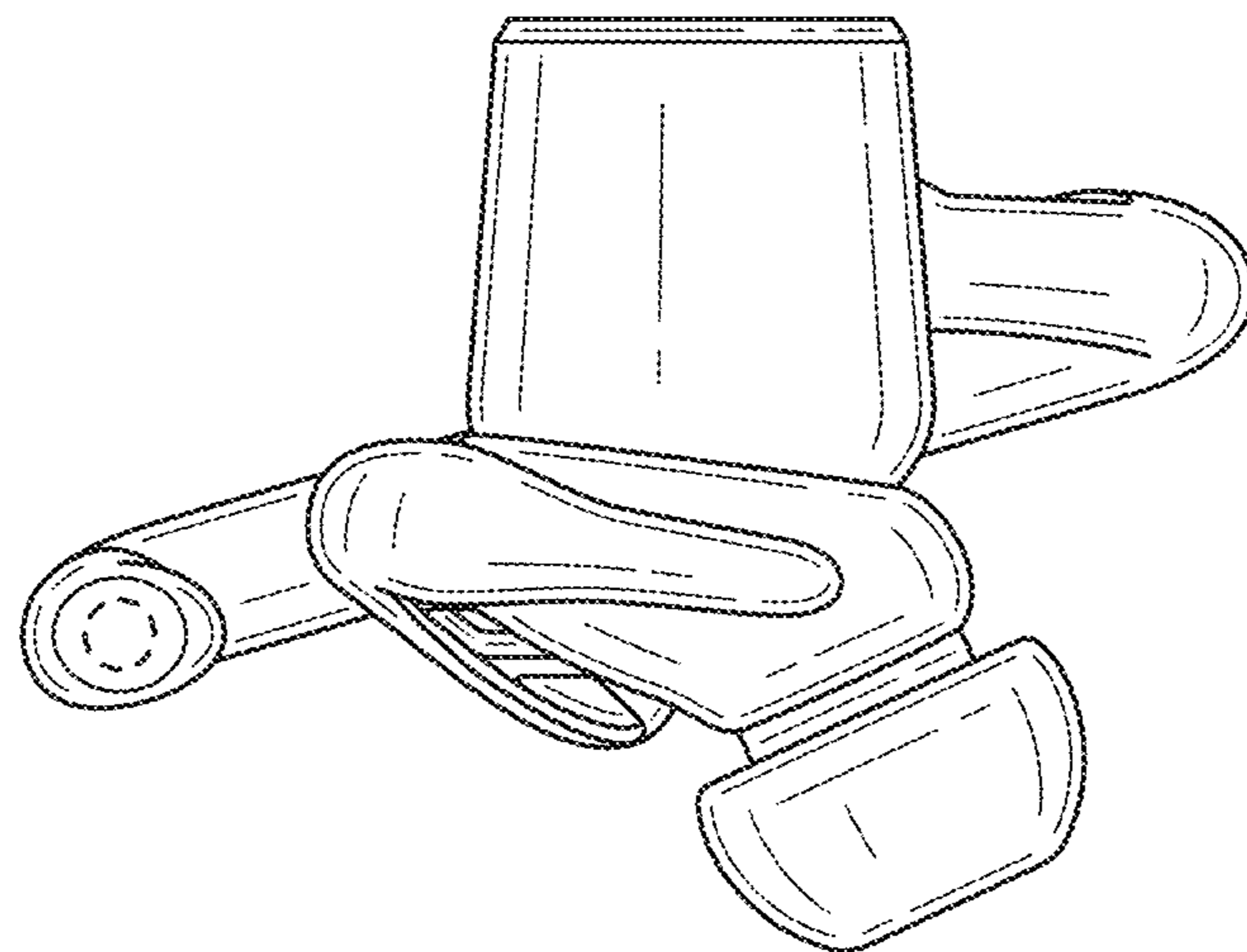
**FIG. 11**



**FIG. 12**



**FIG. 13**



**FIG. 14**