



US00D892087S

(12) **United States Design Patent** (10) **Patent No.:** **US D892,087 S**
Briggs et al. (45) **Date of Patent:** **** Aug. 4, 2020**

- (54) **EARPHONE**
- (71) Applicant: **New Audio LLC**, New York, NY (US)
- (72) Inventors: **Drew Stone Briggs**, Seattle, WA (US);
Nicholas Slaney, Jersey City, NJ (US);
Thomas C. Wilson, Brooklyn, NY (US);
Marten Wallby, Malmö (SE)
- (73) Assignee: **New Audio LLC**, New York, NY (US)
- (**) Term: **15 Years**
- (21) Appl. No.: **29/698,842**
- (22) Filed: **Jul. 19, 2019**

Related U.S. Application Data

- (62) Division of application No. 29/632,542, filed on Jan. 8, 2018, now Pat. No. Des. 860,975.
- (51) **LOC (12) Cl.** **14-01**
- (52) **U.S. Cl.**
USPC **D14/223**
- (58) **Field of Classification Search**
USPC ... D14/204, 205, 206, 207, 208, 209, 209.1,
D14/210, 215, 217, 218, 221, 222, 223,
D14/224, 224.1, 225; D24/173, 174
CPC . H04R 1/00; H04R 1/10; H04R 1/023; H04R
1/026; H04R 1/1016; H04R 1/1066;
H04R 1/105; H04R 1/1033; H04R
1/1083; H04R 1/1091; H04R 5/033;
H04R 5/0335; H04R 25/00; H04R 9/00;
H04R 9/06; H04R 9/063; H04R 9/066
See application file for complete search history.

(56) **References Cited**

U.S. PATENT DOCUMENTS

- D208,784 S 10/1967 Sanzone et al.
- D568,302 S 5/2008 Oh
- 7,986,803 B1 7/2011 DeKalb
- D719,549 S 12/2014 Henry et al.

- D728,107 S 4/2015 Torres
- D745,862 S 12/2015 Otani et al.
- D755,158 S 5/2016 Lee et al.
- D780,155 S 2/2017 Levine et al.
- D801,950 S 11/2017 Otani et al.
- D813,205 S 3/2018 Palmborg et al.
- D817,309 S 5/2018 Czaniecki et al.
- D818,989 S 5/2018 Silva et al.
- D820,810 S 6/2018 Levine et al.
- D822,008 S * 7/2018 Tsubone D14/223

(Continued)

FOREIGN PATENT DOCUMENTS

- WO D102725-002 * 7/2018

OTHER PUBLICATIONS

True Wireless Earphones, announced © 2019 [online], retrieved Mar. 25, 2020, retrieved from internet, <https://www.masterdynamic.com/products/mw07-plus-true-wireless-earphones>.*

(Continued)

Primary Examiner — Michelle E. Wilson
Assistant Examiner — Messina L Smith
(74) *Attorney, Agent, or Firm* — Holzer Patel Drennan

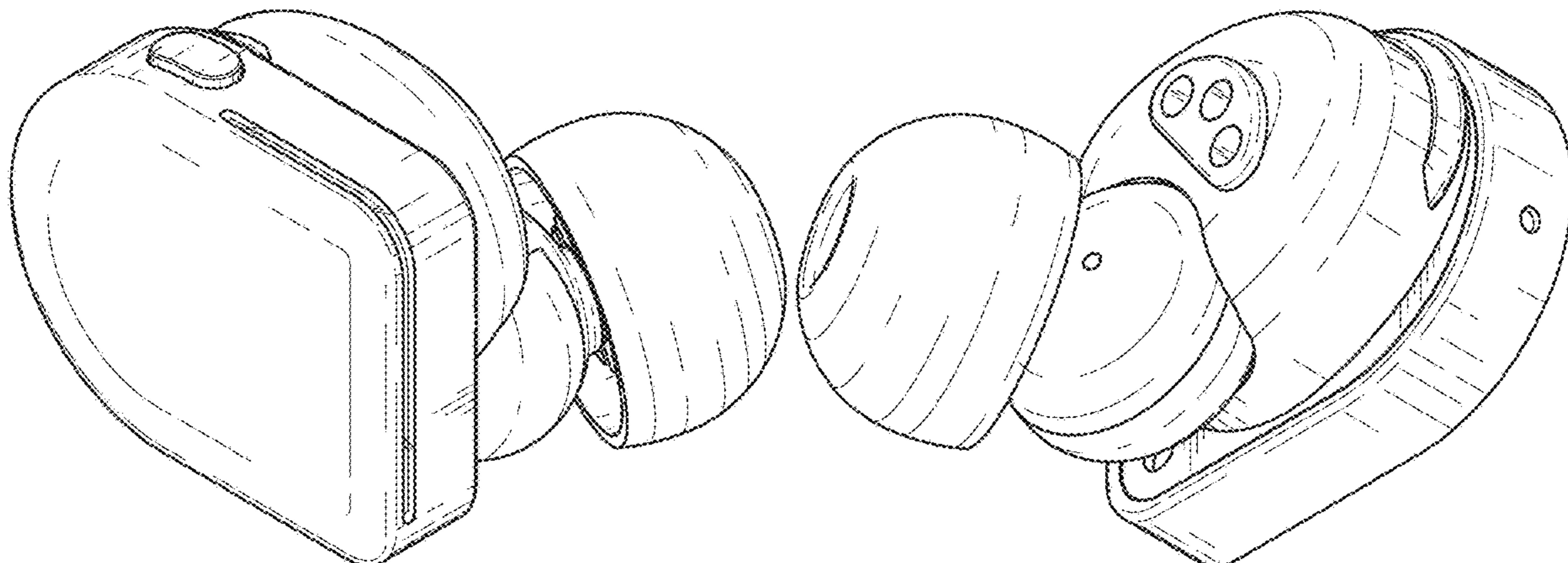
(57) **CLAIM**

The ornamental design for an earphone, as shown and described.

DESCRIPTION

FIG. 1 is a top, front perspective view of an earphone, showing our new design.
FIG. 2 is a bottom, back perspective view thereof.
FIG. 3 is a left side elevation view thereof.
FIG. 4 is a right side elevation view thereof.
FIG. 5 is a front elevation view thereof.
FIG. 6 is a back elevation view thereof.
FIG. 7 is a top plan view thereof; and,
FIG. 8 is a bottom plan view thereof.

1 Claim, 4 Drawing Sheets



(56)

References Cited

U.S. PATENT DOCUMENTS

D822,646	S	7/2018	Dang et al.	
D823,835	S	7/2018	Loermann et al.	
D824,371	S	7/2018	Loermann	
D860,975	S *	9/2019	Briggs	D14/223
D872,063	S *	1/2020	Arimoto	D14/223
D872,065	S *	1/2020	Cai	D14/223
D873,805	S *	1/2020	Yang	D14/223
D875,072	S *	2/2020	Yao	D14/205
D876,398	S *	2/2020	Cai	D14/223
2003/0174853	A1	9/2003	Howes et al.	
2016/0249133	A1	8/2016	Sorensen	
2017/0195772	A1 *	7/2017	Han	G06F 3/0488
2018/0221209	A1	8/2018	Ogut et al.	
2018/0332379	A1	11/2018	McGarry et al.	
2019/0200112	A1	6/2019	Briggs et al.	
2020/0021905	A1 *	1/2020	Briggs	H04R 1/1016

OTHER PUBLICATIONS

True Wireless Earphones, posted © 2018 [online], retrieved Dec. 6, 2018, retrieved from internet, <<https://www.masterdynamic.com/products/mw07-true-wireless-earphones>>.

MW07_SKU_TS_15, posted Sep. 11, 2018 0:04 [online], retrieved Dec. 6, 2018, retrieved from internet, <<https://www.youtube.com/watch?v=UKkBh3XIIQk&feature=youtu.be>>.

Master & Dynamic MW07 True Wireless Earphones, posted Sep. 19, 2018 [online], retrieved Dec. 6, 2018, retrieved from internet, <<https://www.amazon.com/Master-Dynamic-Earphones-Connectivity-Tortoiseshell/dp/B07H8S4N36>>.

* cited by examiner

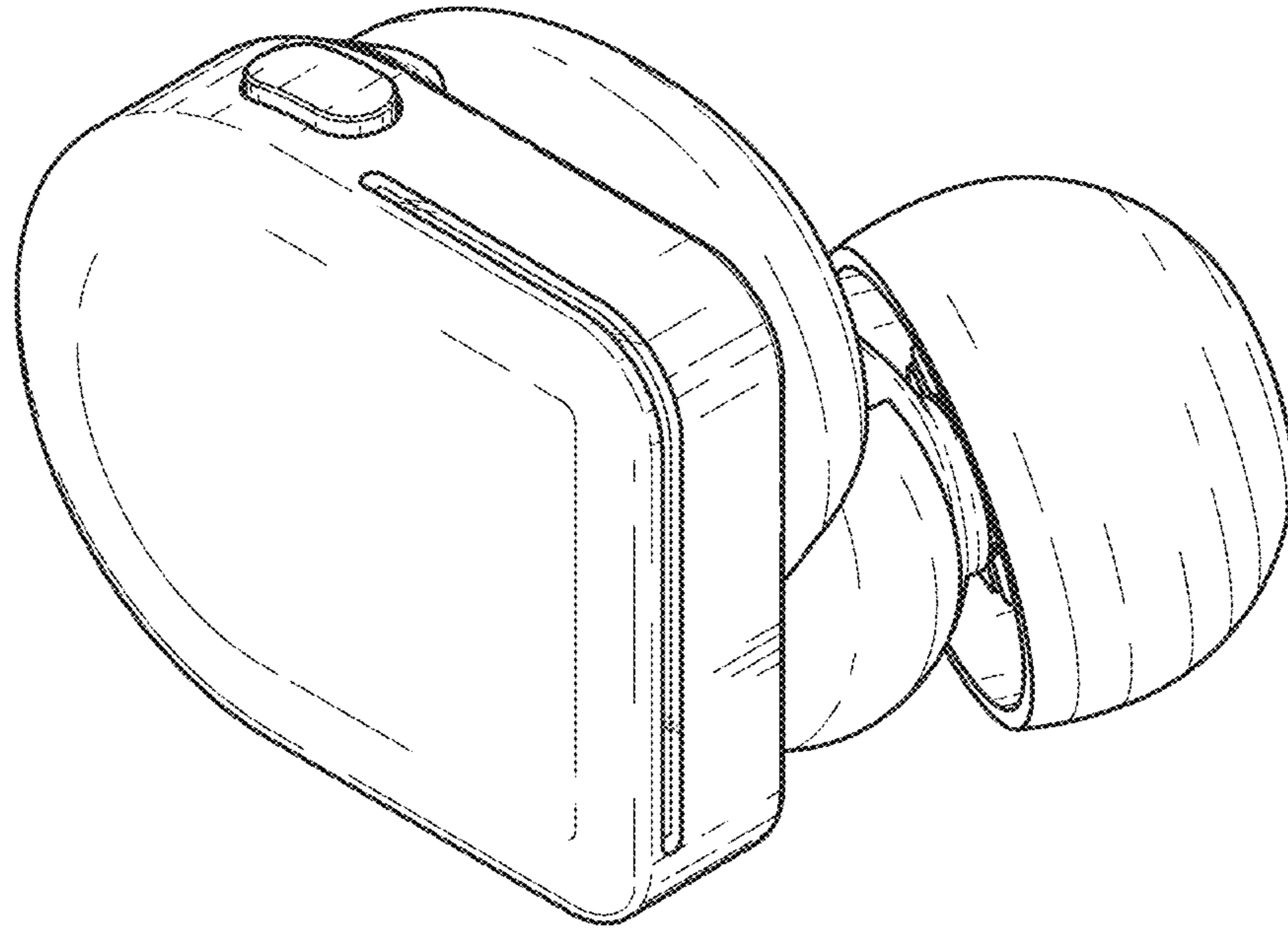


Fig. 1

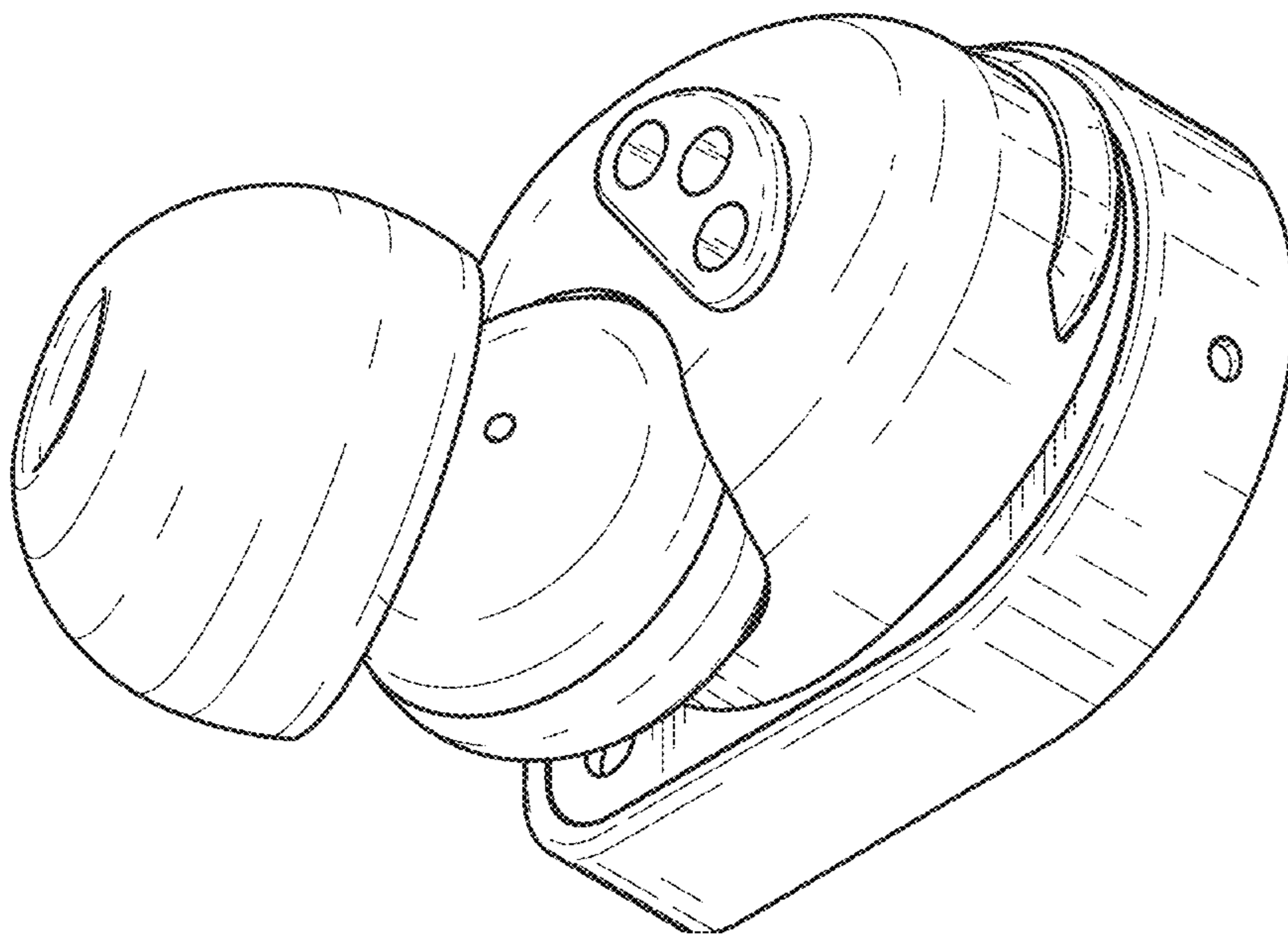


Fig. 2

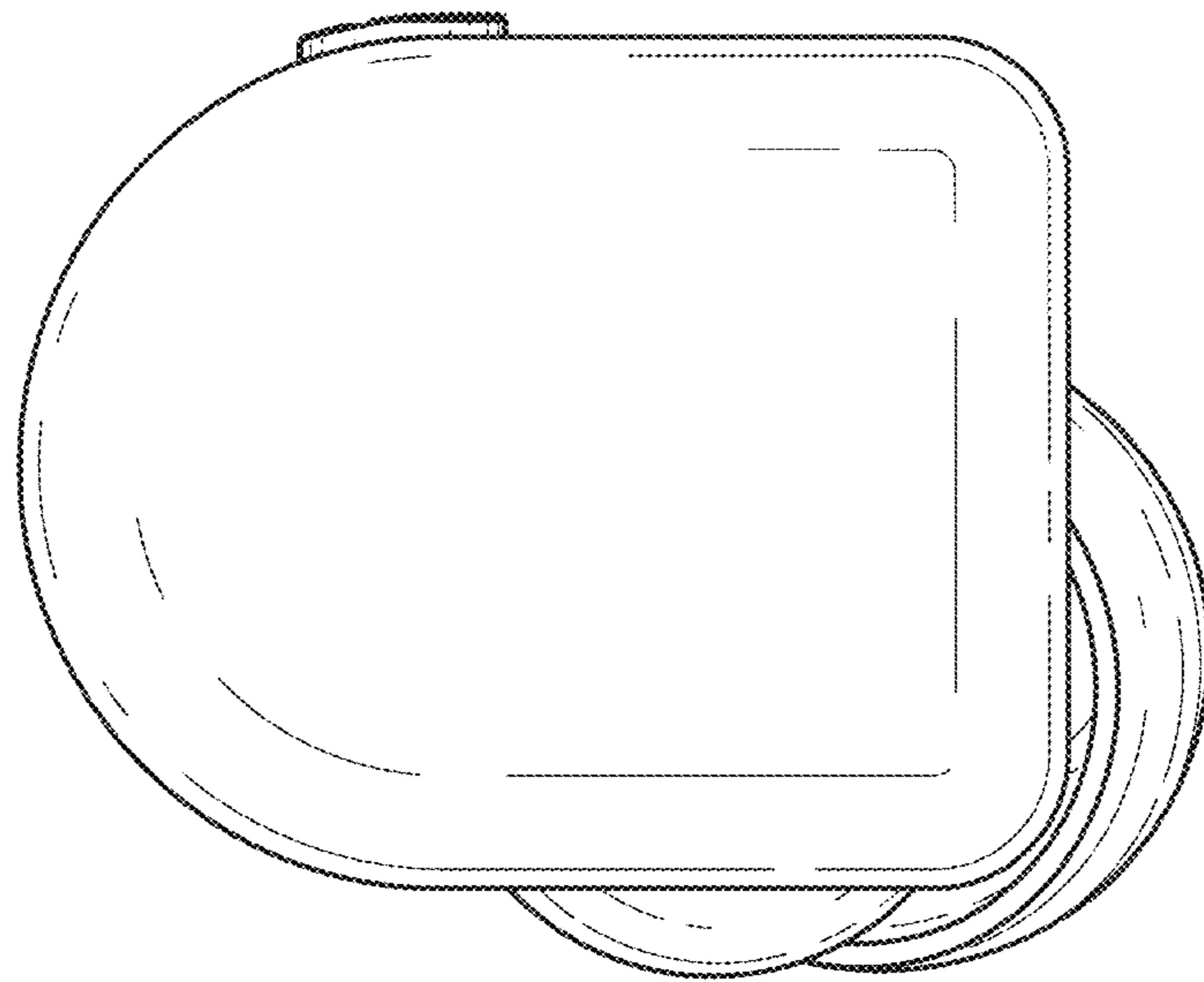


Fig. 3

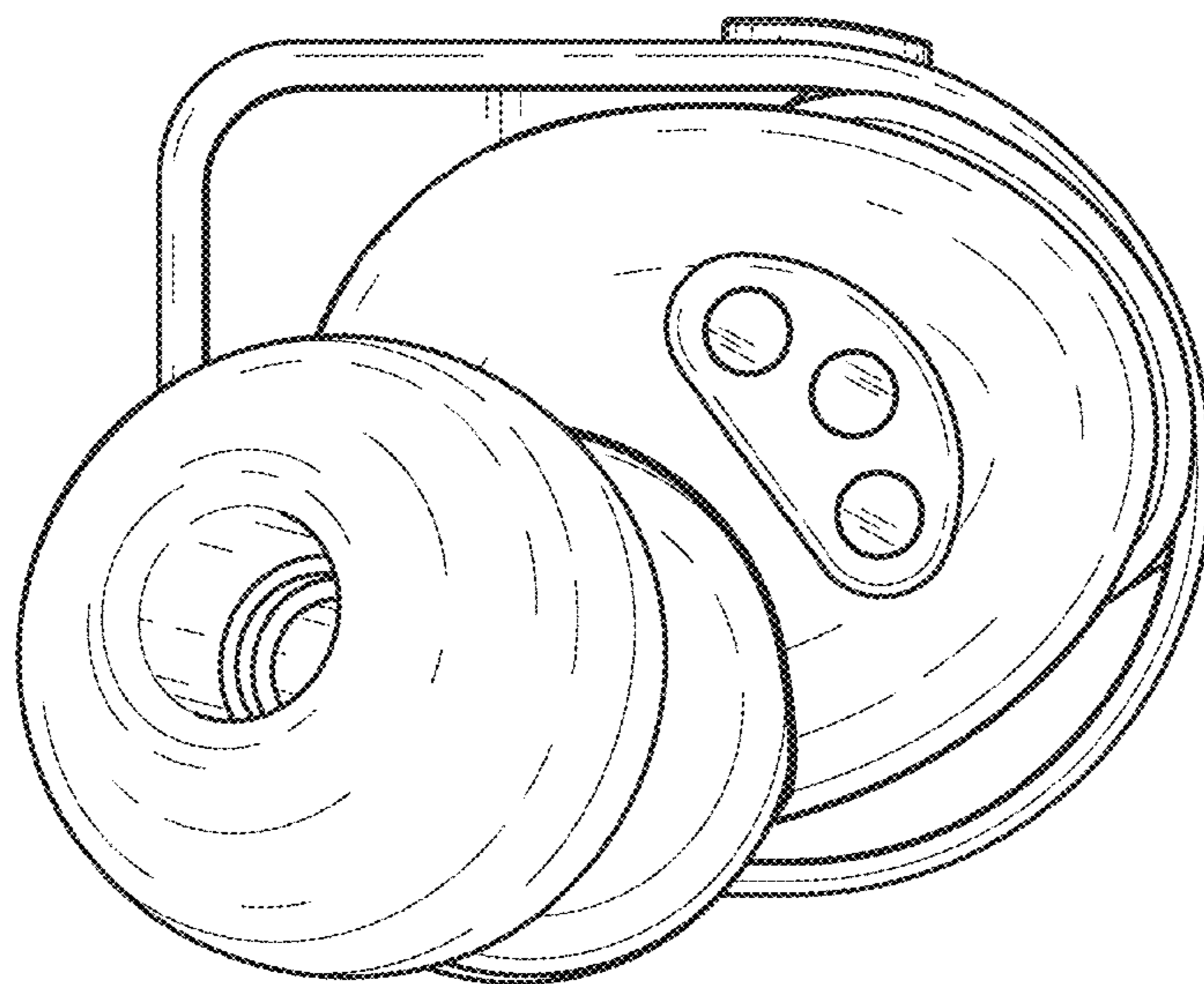


Fig. 4

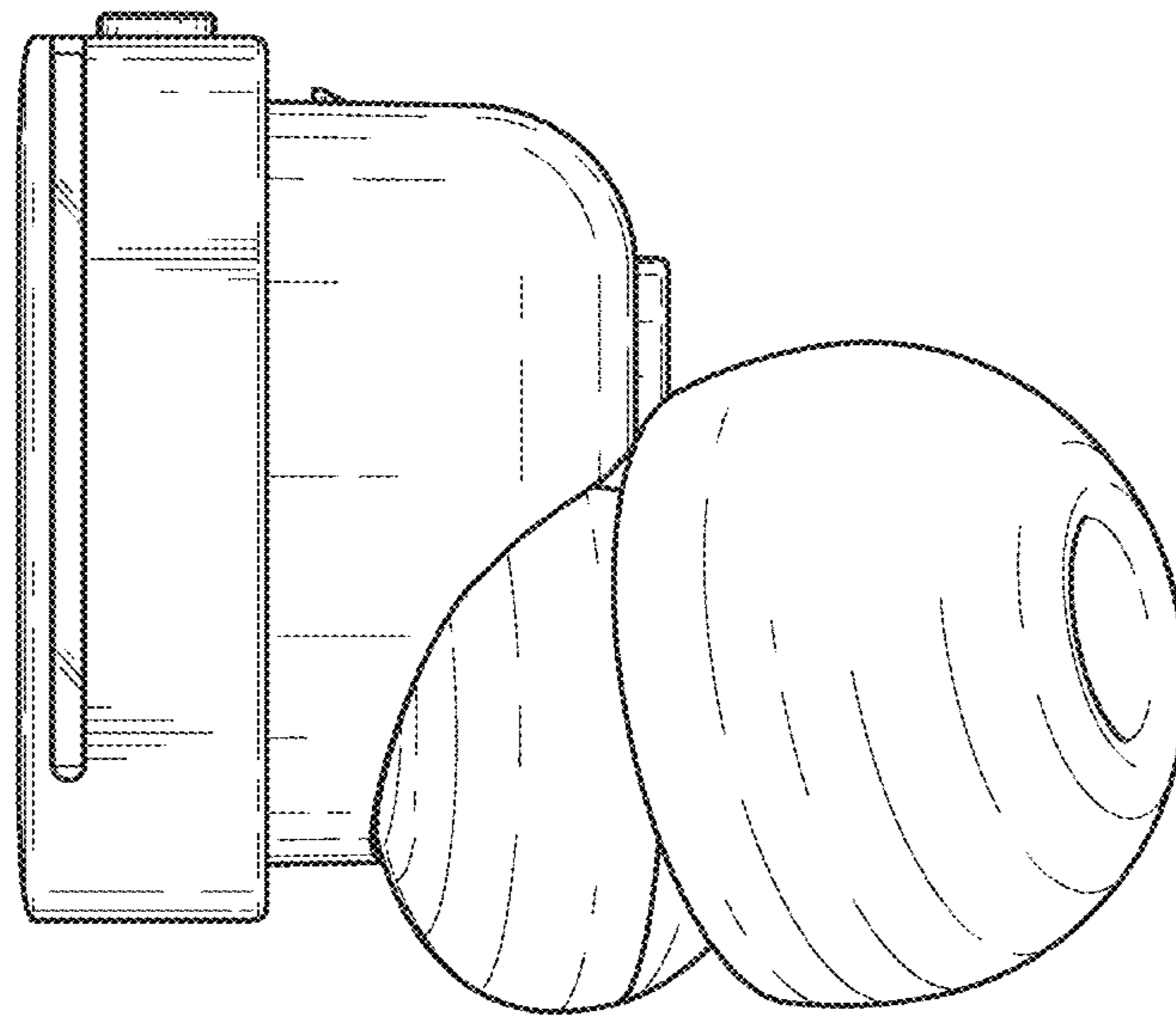


Fig. 5

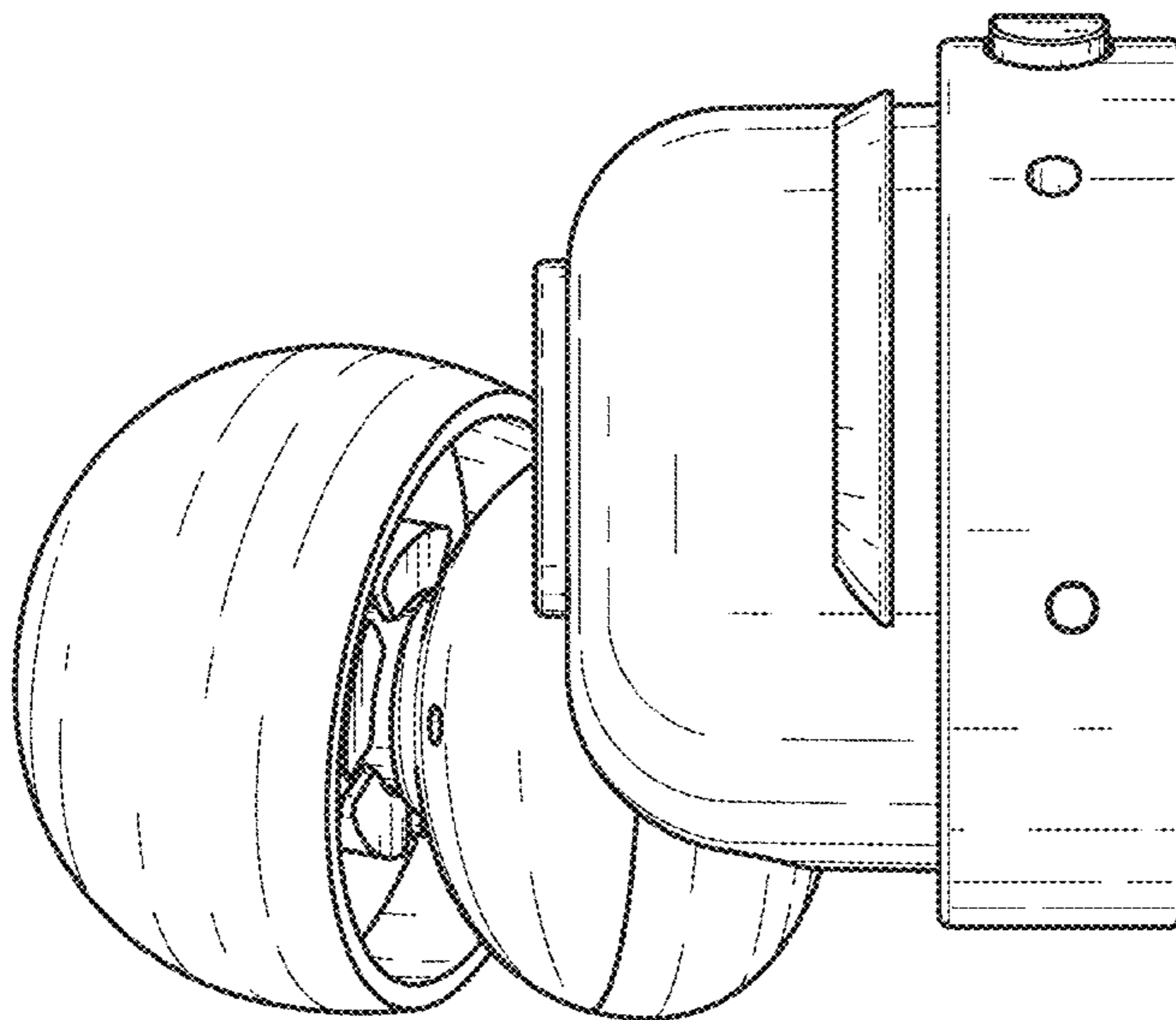


Fig. 6

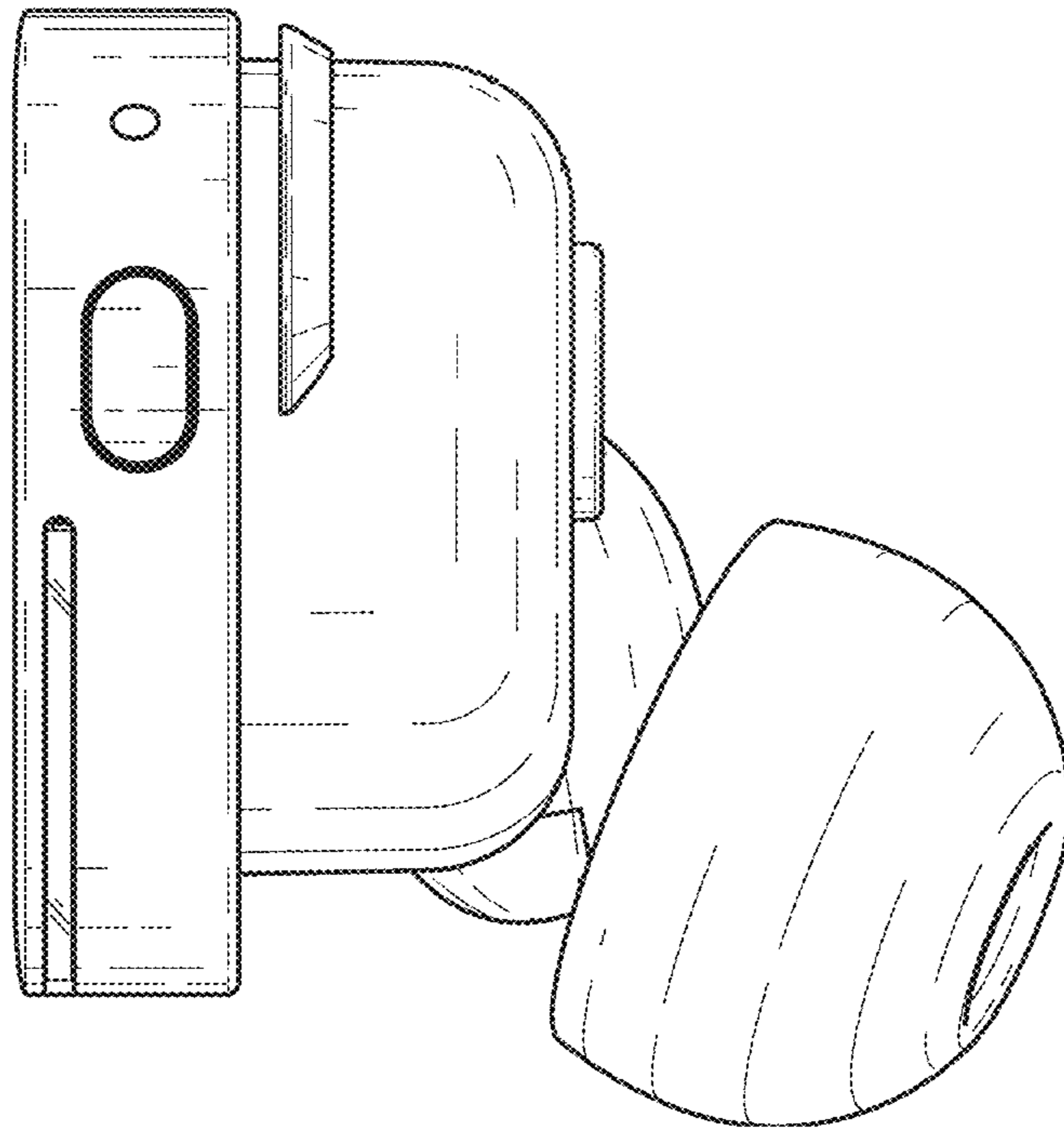


Fig. 7

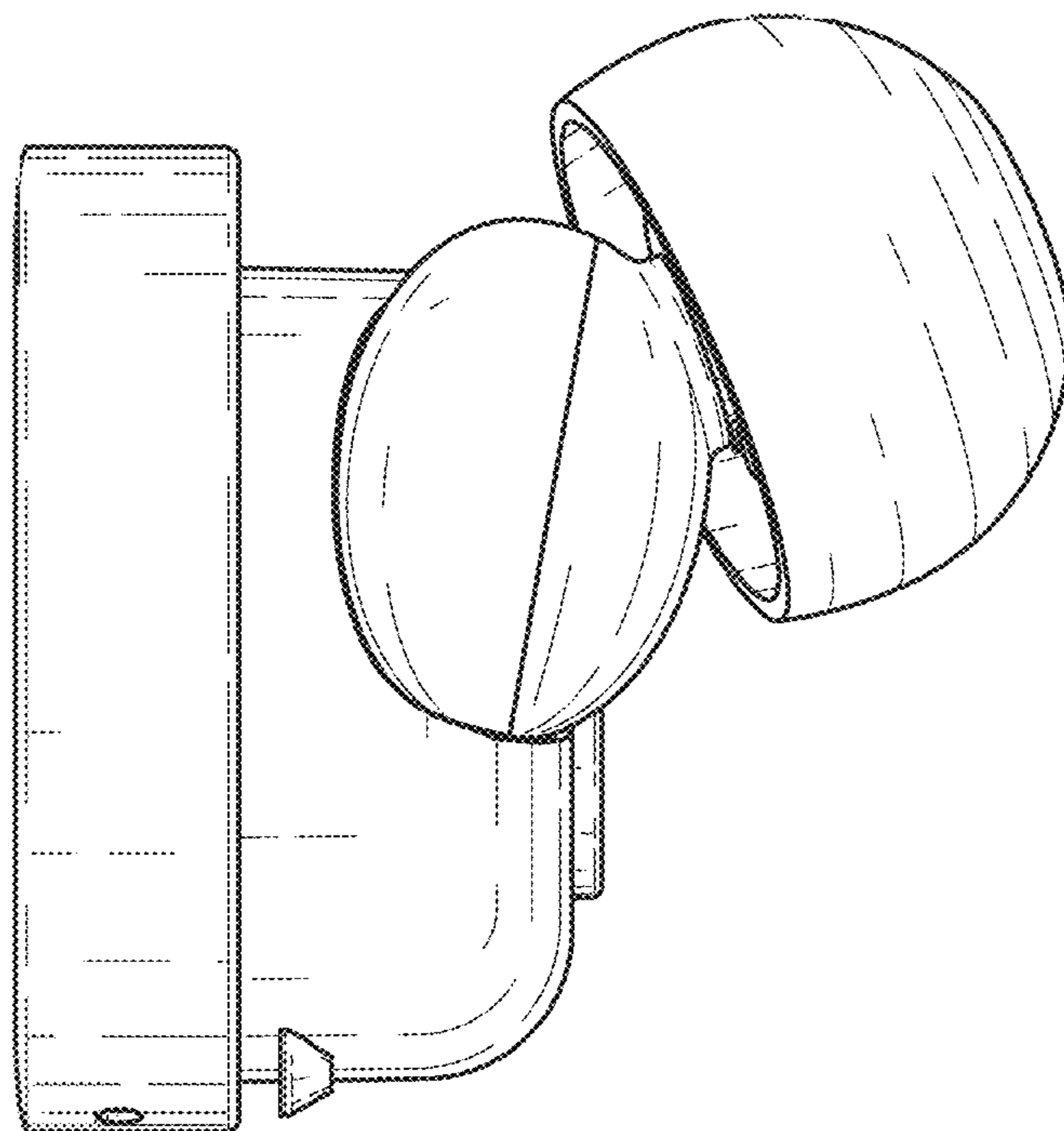


Fig. 8