



US00D892086S

(12) **United States Design Patent** (10) **Patent No.:** **US D892,086 S**  
**Bonahoom et al.** (45) **Date of Patent:** **\*\* Aug. 4, 2020**

(54) **WIRELESS EARPHONES**

(71) Applicant: **SAMSUNG ELECTRONICS CO., LTD.**, Suwon-si, Gyeonggi-do (KR)

(72) Inventors: **Rhys Bonahoom**, San Francisco, CA (US); **Sean Bornheimer**, San Francisco, CA (US); **Seounghyun Son**, San Francisco, CA (US); **Rob Shook**, San Francisco, CA (US)

(73) Assignee: **SAMSUNG ELECTRONICS CO., LTD.**, Gyeonggi-Do (KR)

(\*\*) Term: **15 Years**

(21) Appl. No.: **29/679,088**

(22) Filed: **Feb. 1, 2019**

(51) **LOC (12) Cl.** ..... **14-01**

(52) **U.S. Cl.**  
USPC ..... **D14/223**

(58) **Field of Classification Search**  
USPC ..... D14/223, 205; D24/174; 381/321, 322; 455/90.3, 575.1, 569.1; 128/864  
CPC ..... H04R 1/10; H04R 25/00; H04R 1/1066; H04R 1/1016; H04R 5/033; H04R 5/00-335; H04R 1/091; H04R 1/1083; H04R 1/105; A61F 11/06; A61F 11/08  
See application file for complete search history.

(56) **References Cited**

**U.S. PATENT DOCUMENTS**

D287,764 S \* 1/1987 Topholm ..... D24/174  
7,120,267 B2 \* 10/2006 Ito ..... H04M 1/05  
381/375  
D641,010 S \* 7/2011 Kwon ..... D14/223  
D641,011 S \* 7/2011 Gondo ..... D14/206  
D654,056 S \* 2/2012 Hoggarth ..... D14/205  
D660,292 S \* 5/2012 Rautiainen ..... D14/223  
D666,581 S \* 9/2012 Perez ..... D14/223  
D668,244 S \* 10/2012 Matsumura ..... D14/223

D697,058 S \* 1/2014 Thompson ..... D14/205  
D711,356 S \* 8/2014 Yang ..... D14/223  
D727,871 S \* 4/2015 Orbach ..... D14/205  
D733,103 S \* 6/2015 Jeong ..... D14/224  
9,055,369 B2 \* 6/2015 Yang ..... H04R 1/10  
D735,169 S \* 7/2015 Shieh ..... D14/223  
D740,255 S \* 10/2015 Samrelius ..... D14/206

(Continued)

**FOREIGN PATENT DOCUMENTS**

CN 305638103 \* 3/2020  
CN 305670015 \* 3/2020

**OTHER PUBLICATIONS**

Anker Zolo Liberty Total-Wireless Review. SoundGuys [online]. pp. 1-10 [retrieved on May 1, 2019]. Retrieved from the Internet: <URL: https://www.soundguys.com/anker-zolo-liberty-total-wireless-review-15389/>

(Continued)

*Primary Examiner* — Paula Allen Greene  
(74) *Attorney, Agent, or Firm* — Cantor Colburn LLP

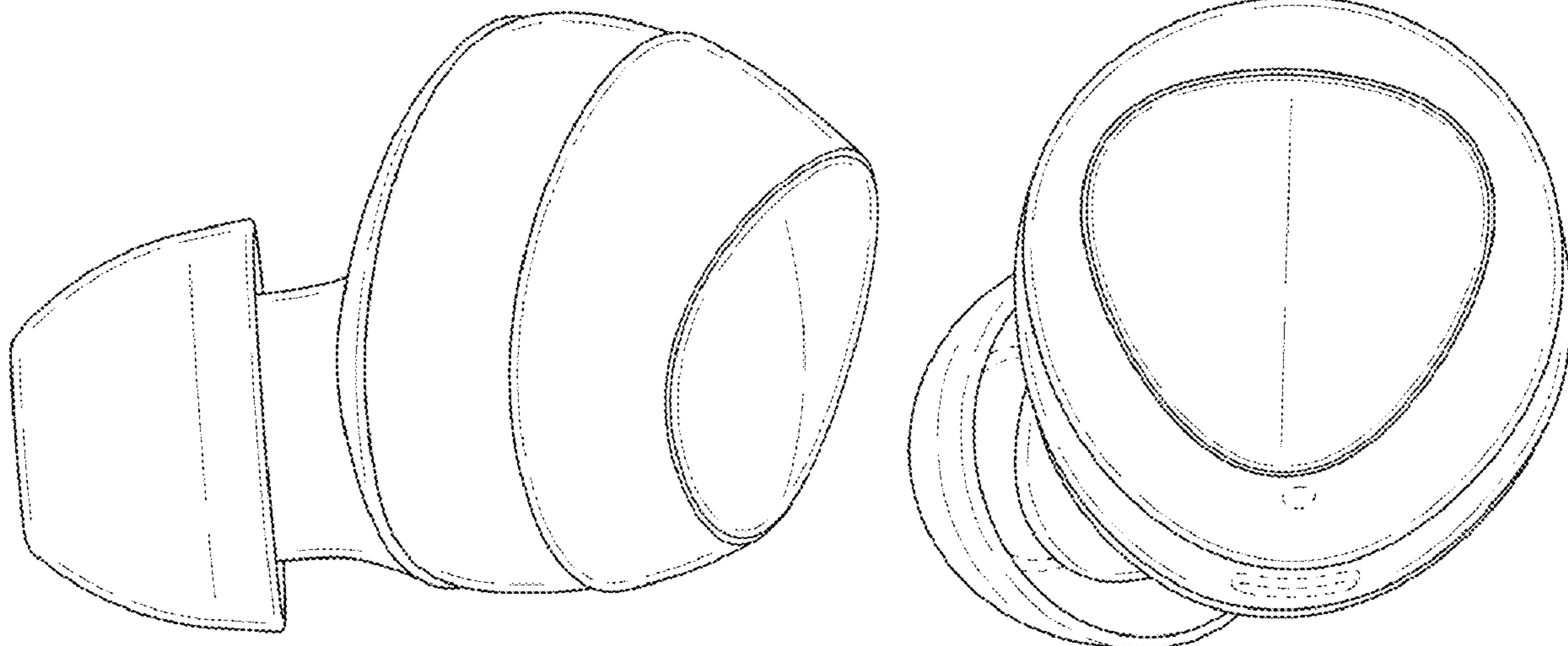
(57) **CLAIM**

We claim the ornamental design for a wireless earphones, as shown and described.

**DESCRIPTION**

FIG. 1 is a left-side perspective view of wireless earphones, showing our new design;  
FIG. 2 is a front view thereof;  
FIG. 3 is a rear view thereof;  
FIG. 4 is a left-side view thereof;  
FIG. 5 is a right-side view thereof;  
FIG. 6 is a top view thereof; and,  
FIG. 7 is a bottom view thereof.  
The broken lines in the figures depict portions of the wireless earphones that form no part of the claimed design.

**1 Claim, 4 Drawing Sheets**



(56)

References Cited

U.S. PATENT DOCUMENTS

D777,710 S \* 1/2017 Palmborg ..... D14/223  
 D781,269 S \* 3/2017 Choe ..... D14/223  
 D782,997 S \* 4/2017 Shin ..... D14/205  
 D782,998 S \* 4/2017 Shin ..... D14/205  
 D786,216 S \* 5/2017 Silva ..... D14/205  
 D788,079 S \* 5/2017 Son ..... D14/223  
 D795,225 S \* 8/2017 Sumii ..... D14/223  
 D806,879 S \* 1/2018 Horbinski ..... D24/174  
 D810,047 S \* 2/2018 Tzeng ..... D14/205  
 D812,042 S \* 3/2018 Xiao ..... D14/223  
 D813,205 S \* 3/2018 Palmborg ..... D14/223  
 D813,206 S \* 3/2018 Tang ..... D14/223  
 D813,848 S \* 3/2018 Palmborg ..... D14/223  
 D825,533 S \* 8/2018 Paschke ..... D14/223  
 D841,626 S \* 2/2019 Tang ..... D14/223  
 D841,627 S \* 2/2019 Wen ..... D14/223  
 D843,354 S \* 3/2019 Kumano ..... D14/223  
 D845,932 S \* 4/2019 Lu ..... D14/223  
 D852,171 S \* 6/2019 Cai ..... D14/223  
 D855,589 S \* 8/2019 Madsen ..... D14/223  
 D858,488 S \* 9/2019 Zheng ..... D14/223  
 D860,975 S \* 9/2019 Briggs ..... D14/223  
 D862,422 S \* 10/2019 Lindenberger ..... D14/223  
 D864,166 S \* 10/2019 You ..... D14/223  
 D864,167 S \* 10/2019 Wu ..... D14/223  
 D864,919 S \* 10/2019 Bonahoom ..... D14/223  
 D868,752 S \* 12/2019 Zhu ..... D14/223  
 D871,376 S \* 12/2019 Zhou ..... D14/223  
 D872,060 S \* 1/2020 Briggs ..... D14/223  
 D872,064 S \* 1/2020 Cai ..... D14/223  
 D873,248 S \* 1/2020 Weicheng ..... D14/223  
 D873,805 S \* 1/2020 Yang ..... D14/223  
 D876,398 S \* 2/2020 Cai ..... D14/223  
 D877,720 S \* 3/2020 Madramotoo ..... D14/223

D877,721 S \* 3/2020 Jung ..... D14/223  
 D884,681 S \* 5/2020 Zhang ..... D14/223  
 2004/0101151 A1\* 5/2004 Webber ..... H04R 1/105  
 381/328  
 2011/0155147 A1\* 6/2011 McIntosh ..... H04R 25/656  
 128/864  
 2013/0259286 A1\* 10/2013 Chung ..... H04R 1/1016  
 381/380  
 2017/0026738 A1\* 1/2017 Tang ..... H04R 1/1091

OTHER PUBLICATIONS

ERL wireless earbuds are sweat resistant and cost half the price of the AirPods. [online]. pp. 1-8 [retrieved on May 1, 2019]. Retrieved from the Internet: <URL: <https://www.hardwarezone.com.sg/tech-news-erl-wireless-earbuds-are-sweat-resistant-and-cost-half-price-airpods>.

Iskil TWS BS01 Binaural Waterproof Wireless Headphone Bluetooth 4.2. [online]. pp. 1-3 [retrieved on May 1, 2019]. Retrieved from the Internet: <URL: <https://uae.souq.com/ae-en/iskil-tws-bs01-binaural-waterproof-wireless-earphone-mini-headphone-bluetooth-4-2-headset-35421198/i/>.

NuForce BE Free5 Wireless Earbuds (Blue). B&H [online]. pp. 1-3 [retrieved on May 1, 2019]. Retrieved from the Internet: <URL: [https://www.bhphotovideo.com/c/product/1416165-REG/nuforce\\_befree5\\_blue\\_be\\_free5\\_truly\\_wireless.html](https://www.bhphotovideo.com/c/product/1416165-REG/nuforce_befree5_blue_be_free5_truly_wireless.html).

Waterproof Wireless Earbuds—2GO2. [online]. pp. 1-8 [retrieved on May 1, 2019]. Retrieved from the Internet: <URL: [https://store2go2.com/products/waterproof-wireless-earbuds?utm\\_campaign=Pinterest%20Buy%20Button&utm\\_medium=Social&utm\\_source=Pinterest&utm\\_content=pinterest-buy-button-05d890d53-e678-404d-8e00-c8539576eb84](https://store2go2.com/products/waterproof-wireless-earbuds?utm_campaign=Pinterest%20Buy%20Button&utm_medium=Social&utm_source=Pinterest&utm_content=pinterest-buy-button-05d890d53-e678-404d-8e00-c8539576eb84).

\* cited by examiner

FIG.1

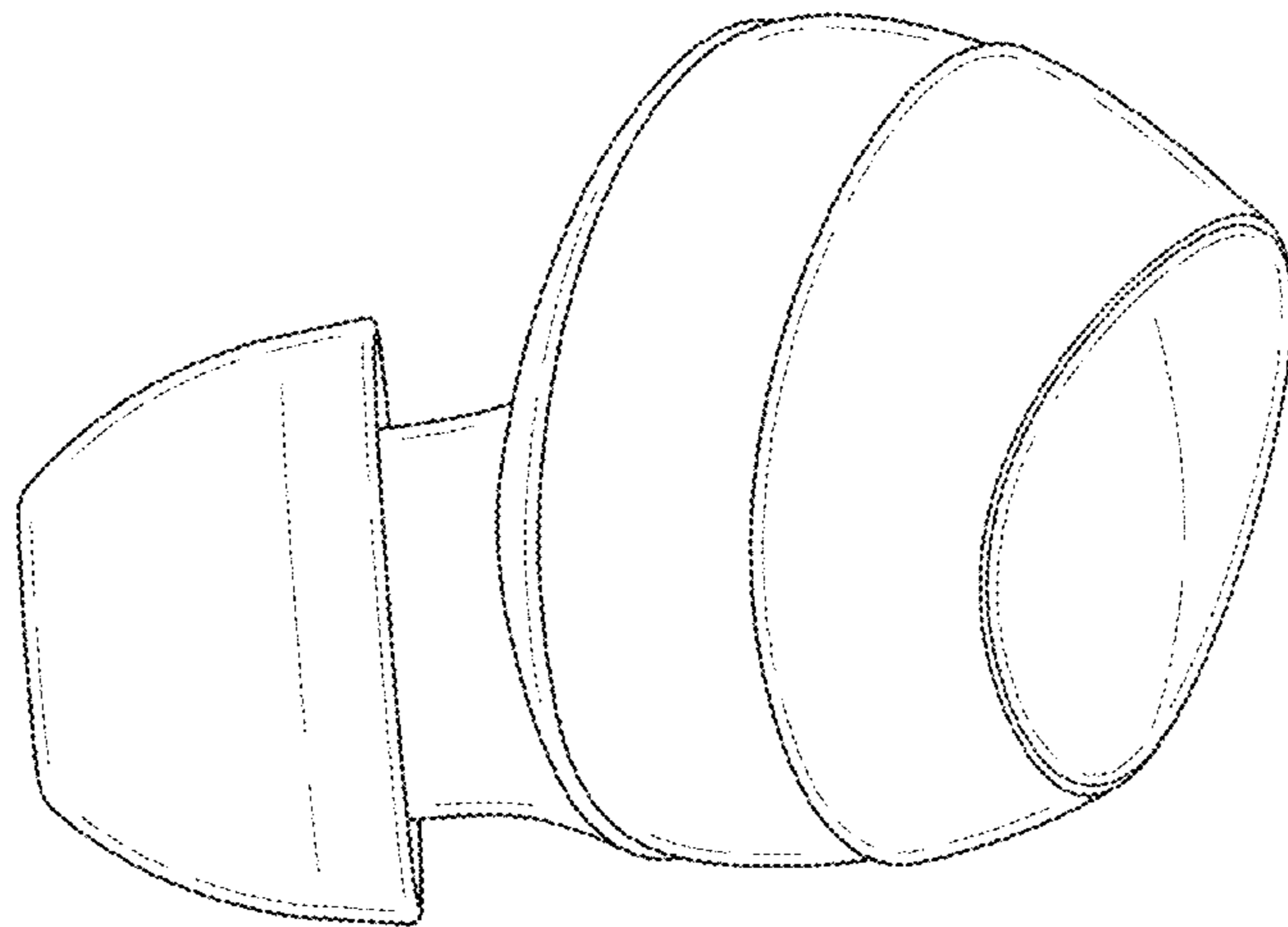


FIG.2

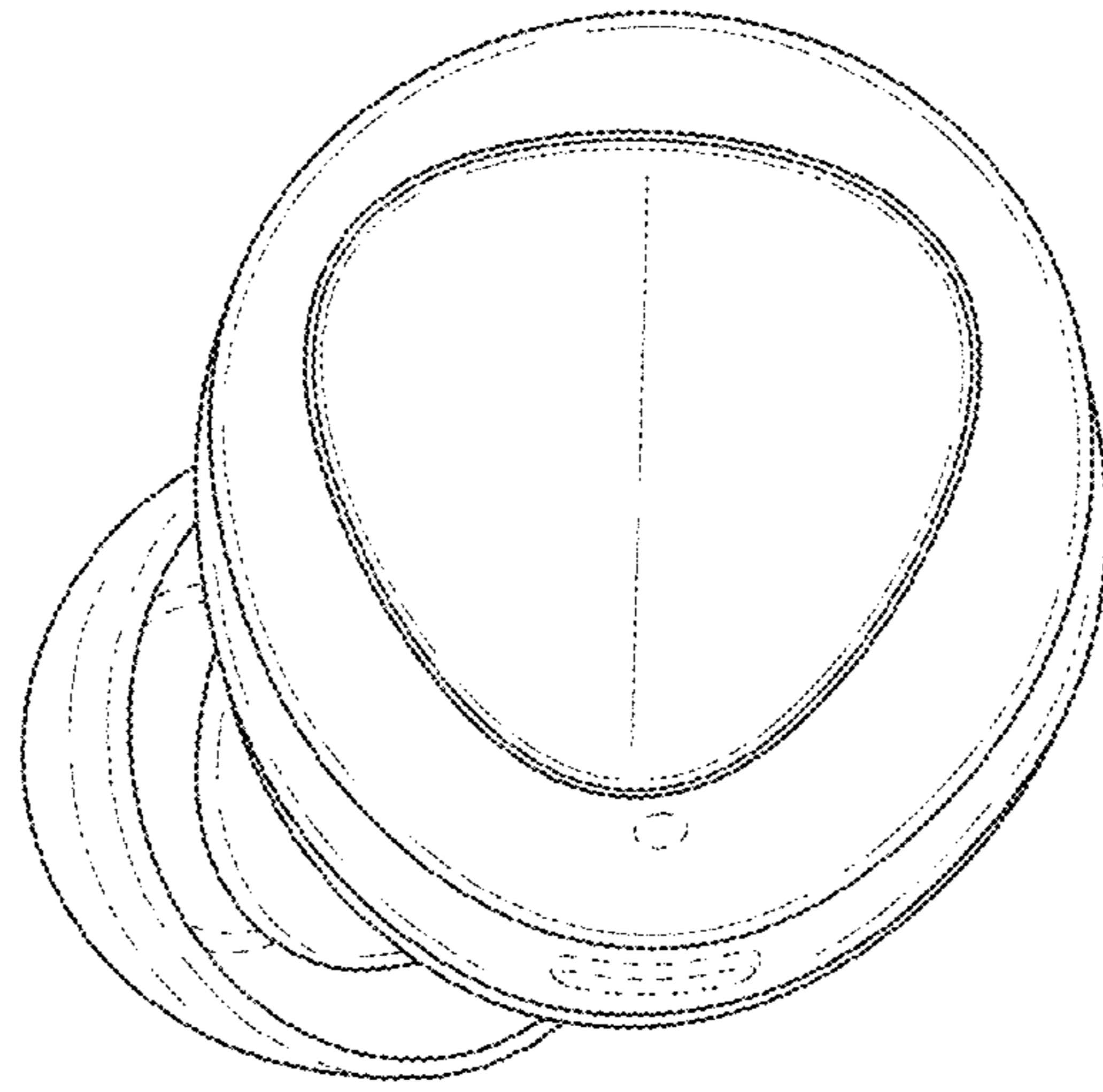


FIG.3

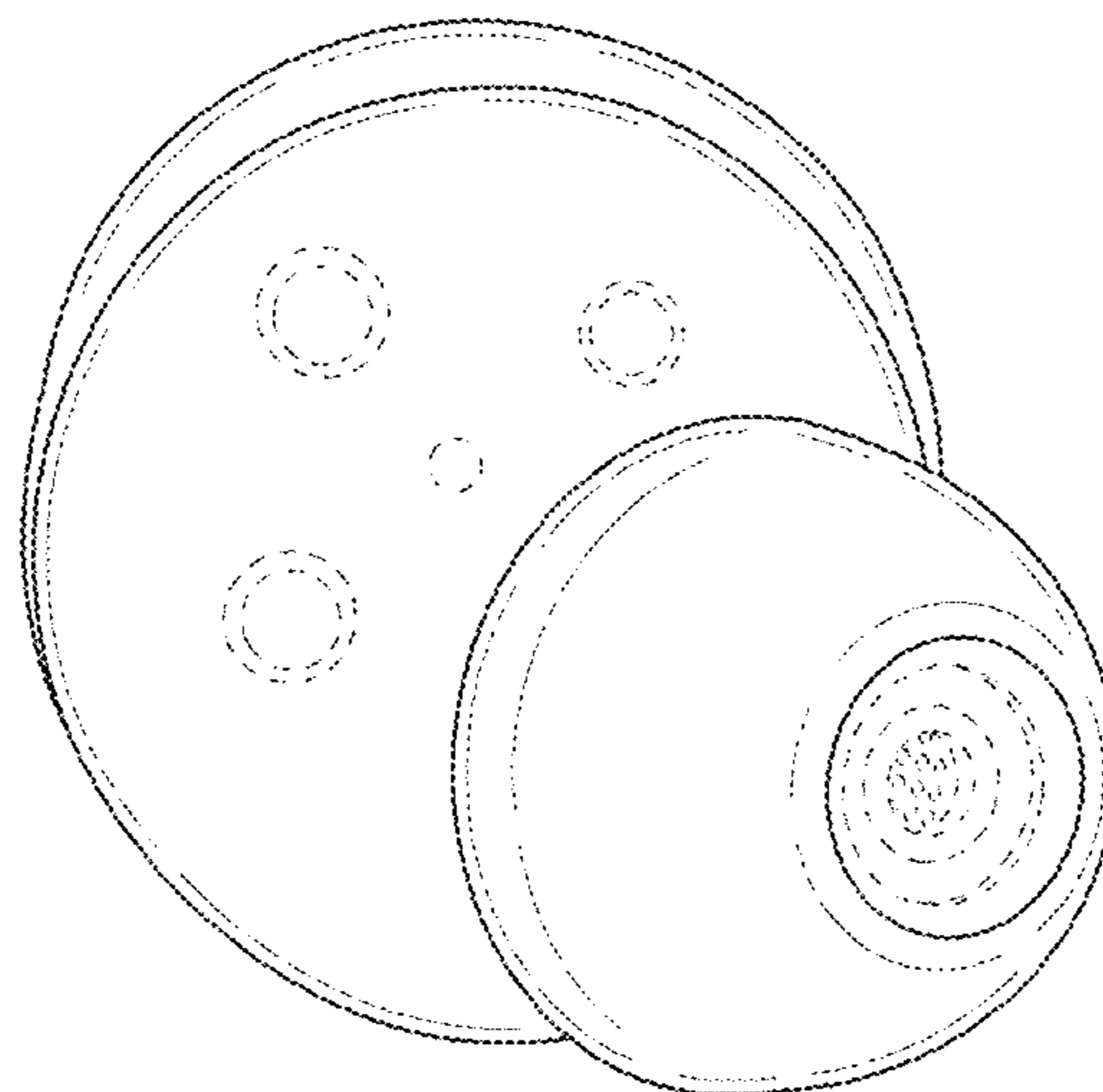


FIG.4

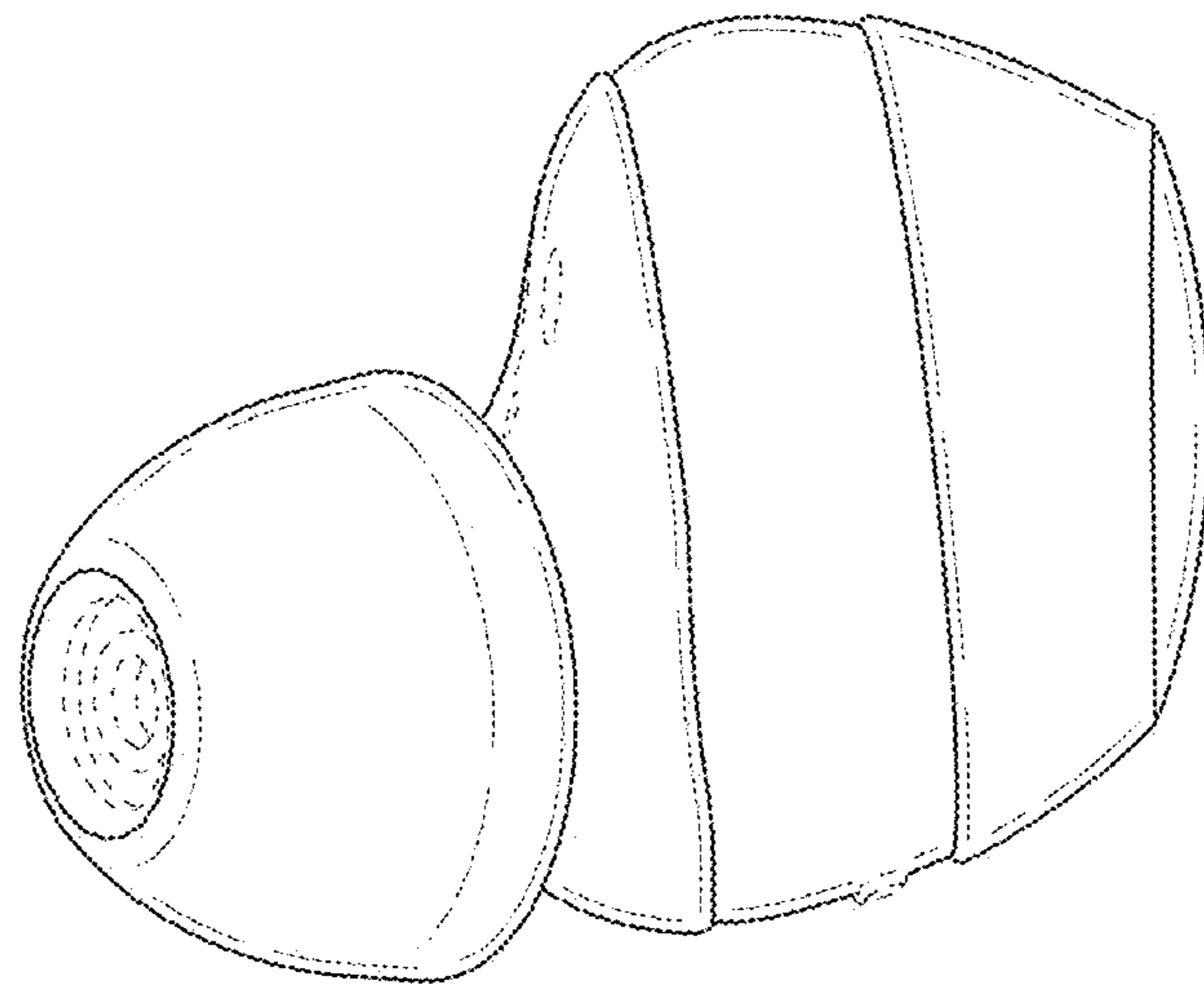


FIG.5

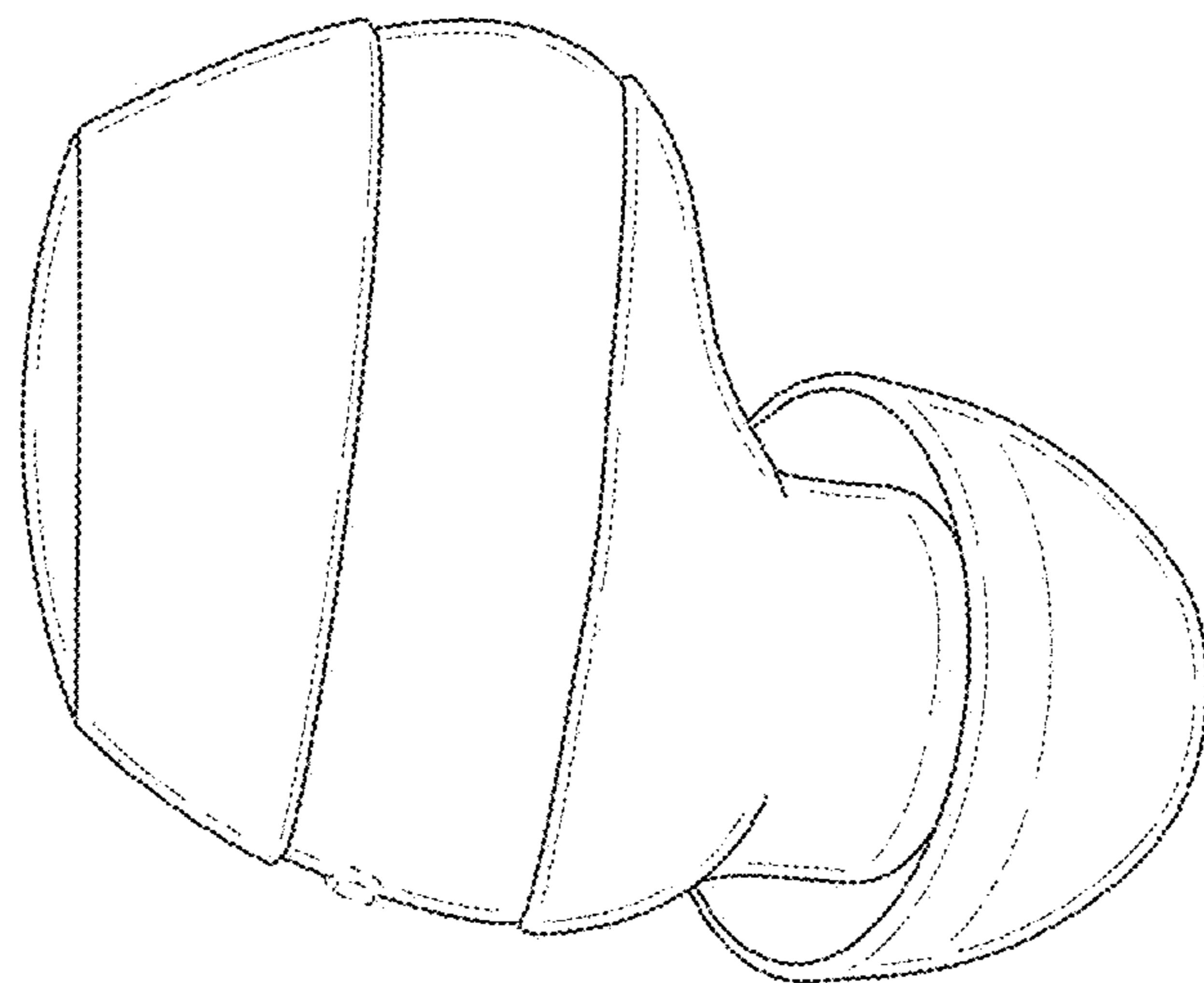


FIG.6

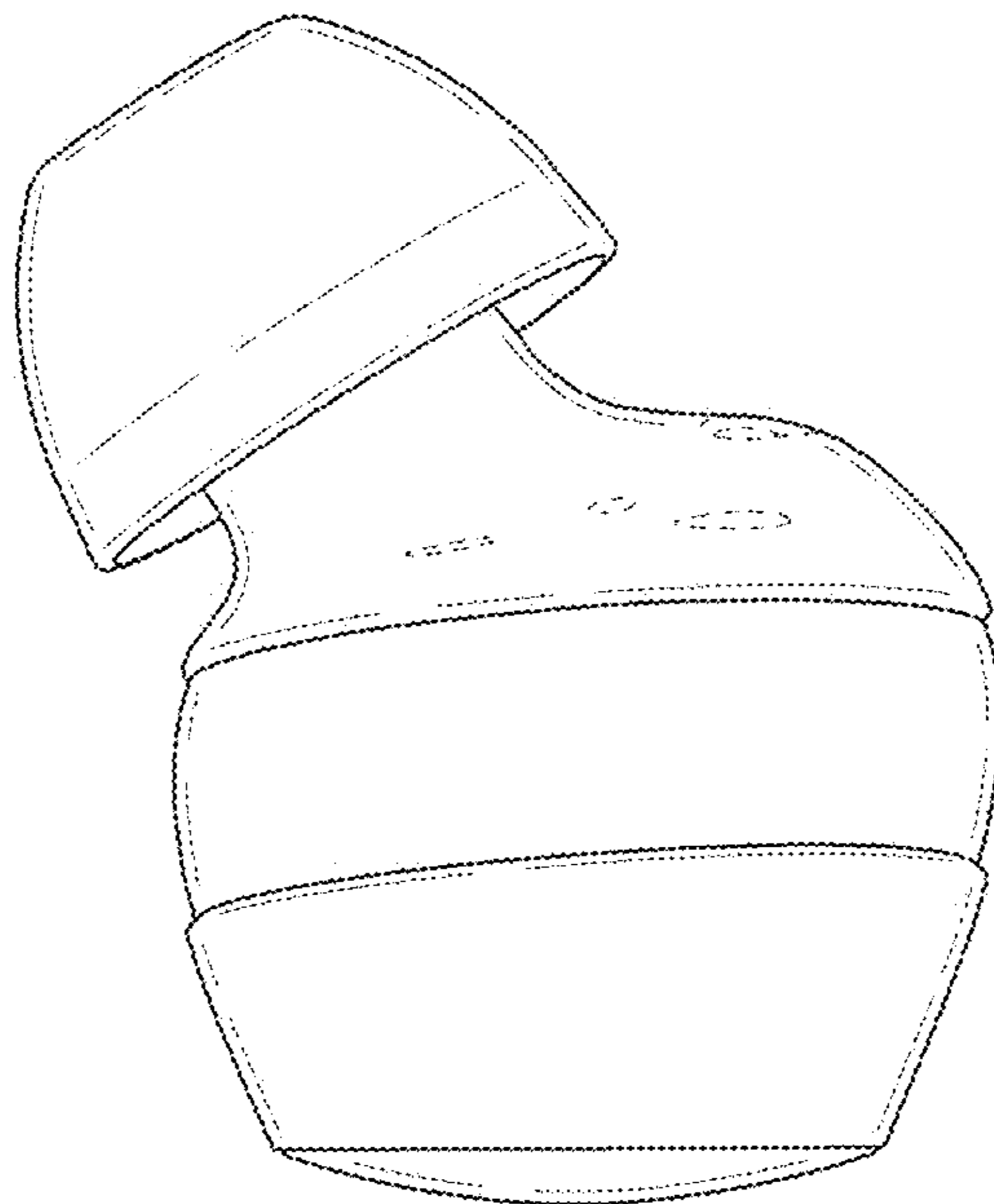


FIG.7

