



US00D892083S

(12) **United States Design Patent** (10) **Patent No.:** **US D892,083 S**
Kwak (45) **Date of Patent:** **** Aug. 4, 2020**

(54) **COVER FOR NETWORK TERMINAL**

(56) **References Cited**

(71) Applicant: **SAMSUNG ELECTRONICS CO., LTD.**, Suwon-si, Gyeonggi-do (KR)

U.S. PATENT DOCUMENTS

(72) Inventor: **Jihee Kwak**, Suwon-si (KR)

D314,747 S *	2/1991	Centola	D13/133
D366,456 S *	1/1996	Rodriguez	D13/147
D375,082 S *	10/1996	Messelhi	D13/152
D469,742 S *	2/2003	Michon	D13/151
D750,034 S *	2/2016	Braswell, Jr.	D13/184
D758,025 S *	5/2016	Ma	D30/199
D808,368 S *	1/2018	Kwak	D14/240
D814,462 S *	4/2018	Jang	D14/358
D815,075 S *	4/2018	Kwak	D14/240
D817,312 S *	5/2018	Lee	D14/240

(73) Assignee: **SAMSUNG ELECTRONICS CO., LTD.**, Gyeonggi-Do (KR)

(**) Term: **15 Years**

(Continued)

(21) Appl. No.: **29/680,822**

(22) Filed: **Feb. 20, 2019**

Primary Examiner — Khawaja Anwar

(30) **Foreign Application Priority Data**

(74) *Attorney, Agent, or Firm* — Cantor Colburn LLP

Dec. 12, 2018 (KR) 30-2018-0058437

(51) **LOC (12) Cl.** **14-03**

(57) **CLAIM**

(52) **U.S. Cl.**

USPC **D14/217**

The ornamental design for a cover for network terminal, as shown and described.

(58) **Field of Classification Search**

USPC D14/217, 240, 204, 207, 209, 210, 211,
D14/212, 213, 214, 215, 216, 221, 222,
D14/224

CPC H04R 2201/003; H04R 2420/07;
H04R 3/12; H04R 27/00; H04R 9/08;
H04R 19/04; H04R 1/1016; H04R
1/2857; H04R 2410/03; H04R 2499/11;
H04R 31/00; H04R 17/00; H04R 19/005;
H04R 19/016; H04R 1/026; H04R 1/04;
H04R 1/08; H04R 1/008; H04R 1/1041;
H04R 1/1075; H04R 1/1083; H04R 1/24;
H04R 1/2834; H04R 1/2846; H04R
1/2892; H04R 1/323; H04R 1/406; H04R
2225/33; H04R 2225/41; H04R 2225/49;
H04R 2410/01; H04R 2430/01; H04R
2460/03; H04R 25/453; H04R 25/505;
H04R 25/554; H04R 25/606; H04R
29/001; H04R 29/004; H04R 29/005;
H04R 3/002; H04R 3/005; H04R 3/007;
H04R 5/04; H04R 7/06; H04R 7/12;
H04R 7/20

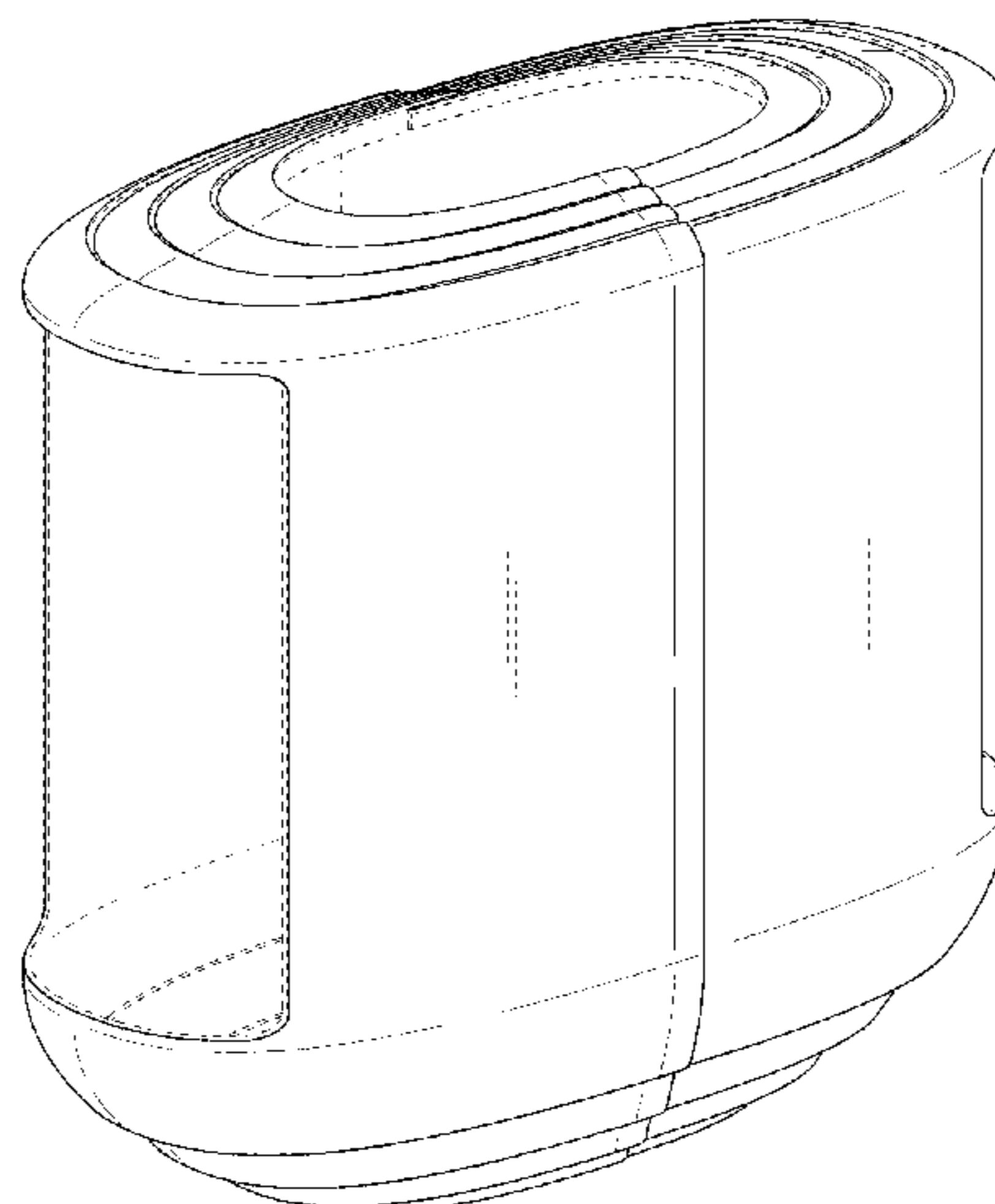
DESCRIPTION

FIG. 1 is a front perspective view of a cover for network terminal, showing my new design;
FIG. 2 is a front view thereof;
FIG. 3 is a rear view thereof;
FIG. 4 is a left-side view thereof;
FIG. 5 is a right-side view thereof;
FIG. 6 is a top view thereof;
FIG. 7 is a bottom view thereof;
FIG. 8 is another front perspective view thereof;
FIG. 9 is a partially-exploded front view thereof; and,
FIG. 10 is still another front perspective view thereof in an environment of use.

The broken lines illustrating portions of the cover for network terminal or environmental subject matter form no part of the claimed design.

See application file for complete search history.

1 Claim, 8 Drawing Sheets



(56)

References Cited

U.S. PATENT DOCUMENTS

D821,983 S	*	7/2018	Shah	D13/168
D826,873 S	*	8/2018	Shim	D13/184
D832,242 S	*	10/2018	Kwak	D14/240
D860,166 S	*	9/2019	Young	D14/206
D866,551 S	*	11/2019	Choi	D14/356
D874,437 S	*	2/2020	Iwahori	D14/217
D875,568 S	*	2/2020	Read	D10/50

* cited by examiner

FIG.1

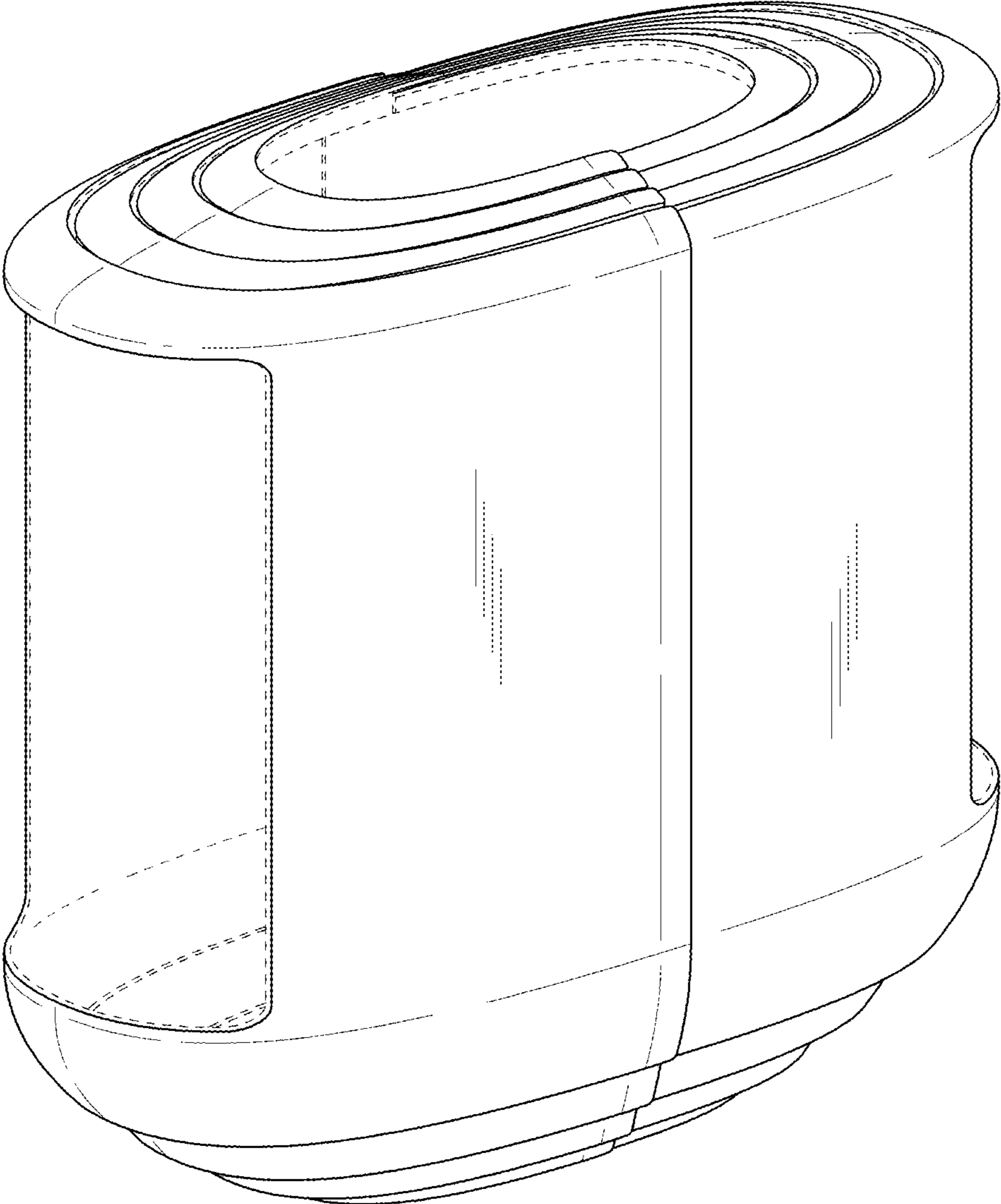


FIG.2

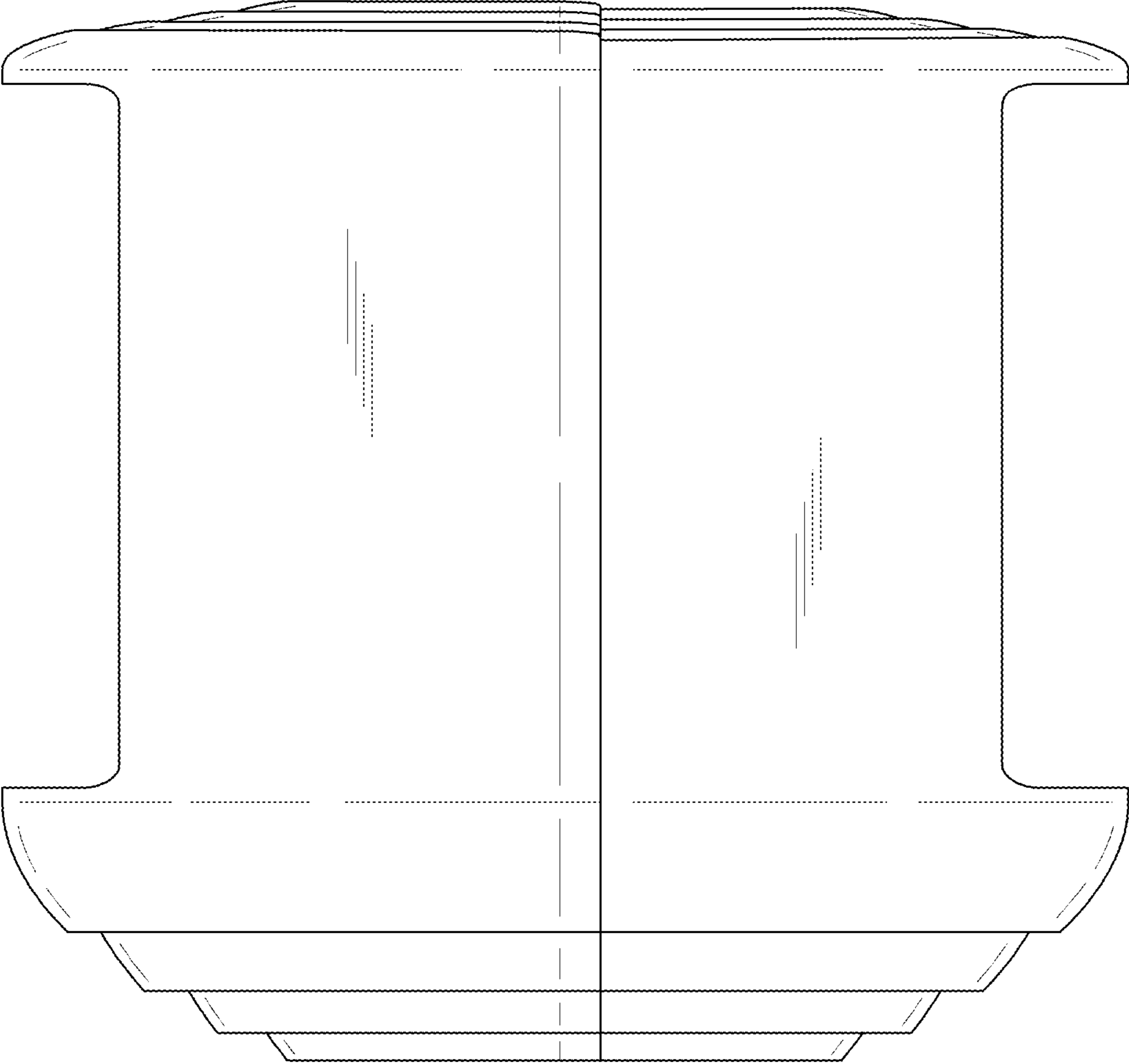


FIG.3

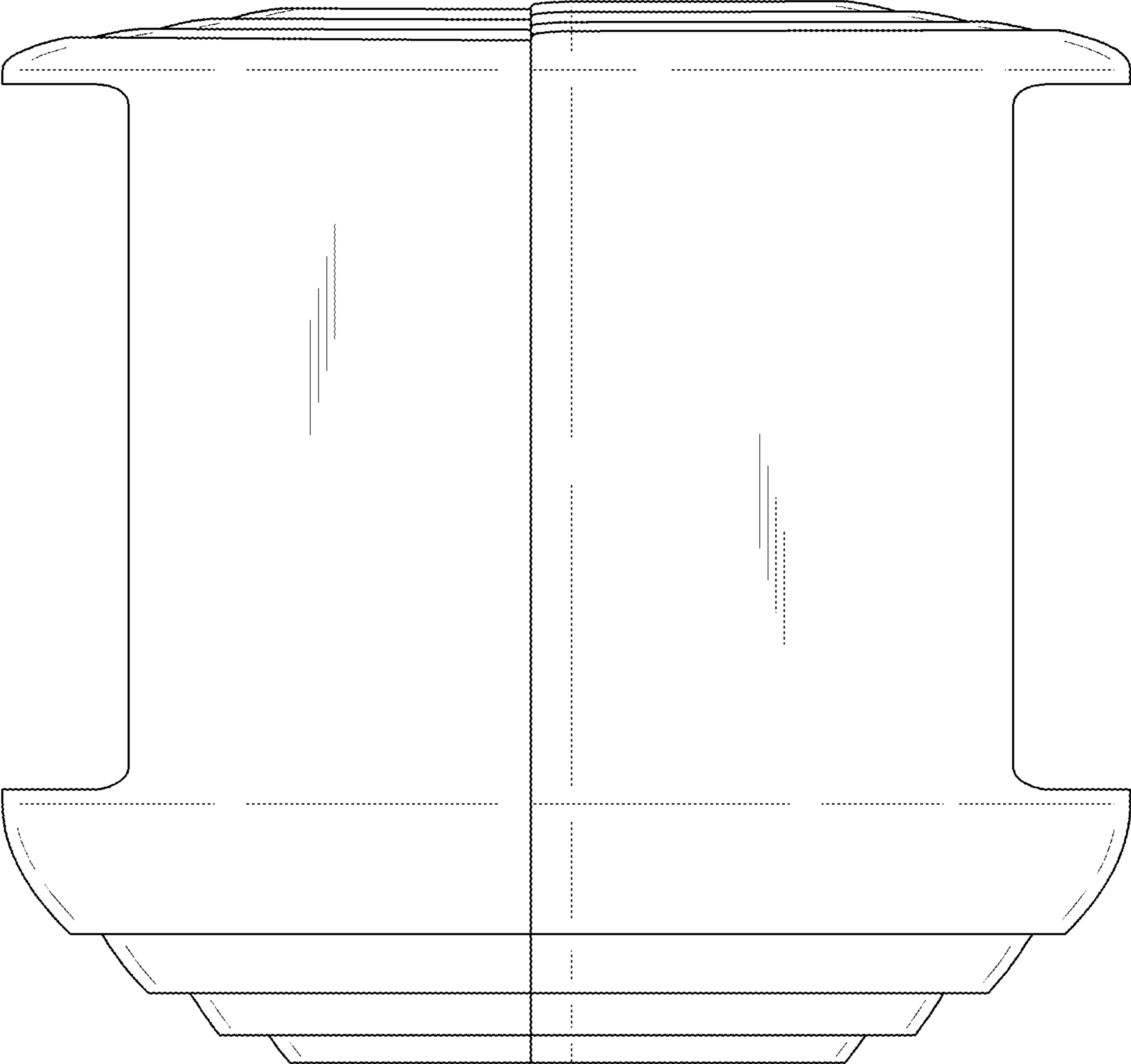


FIG.4

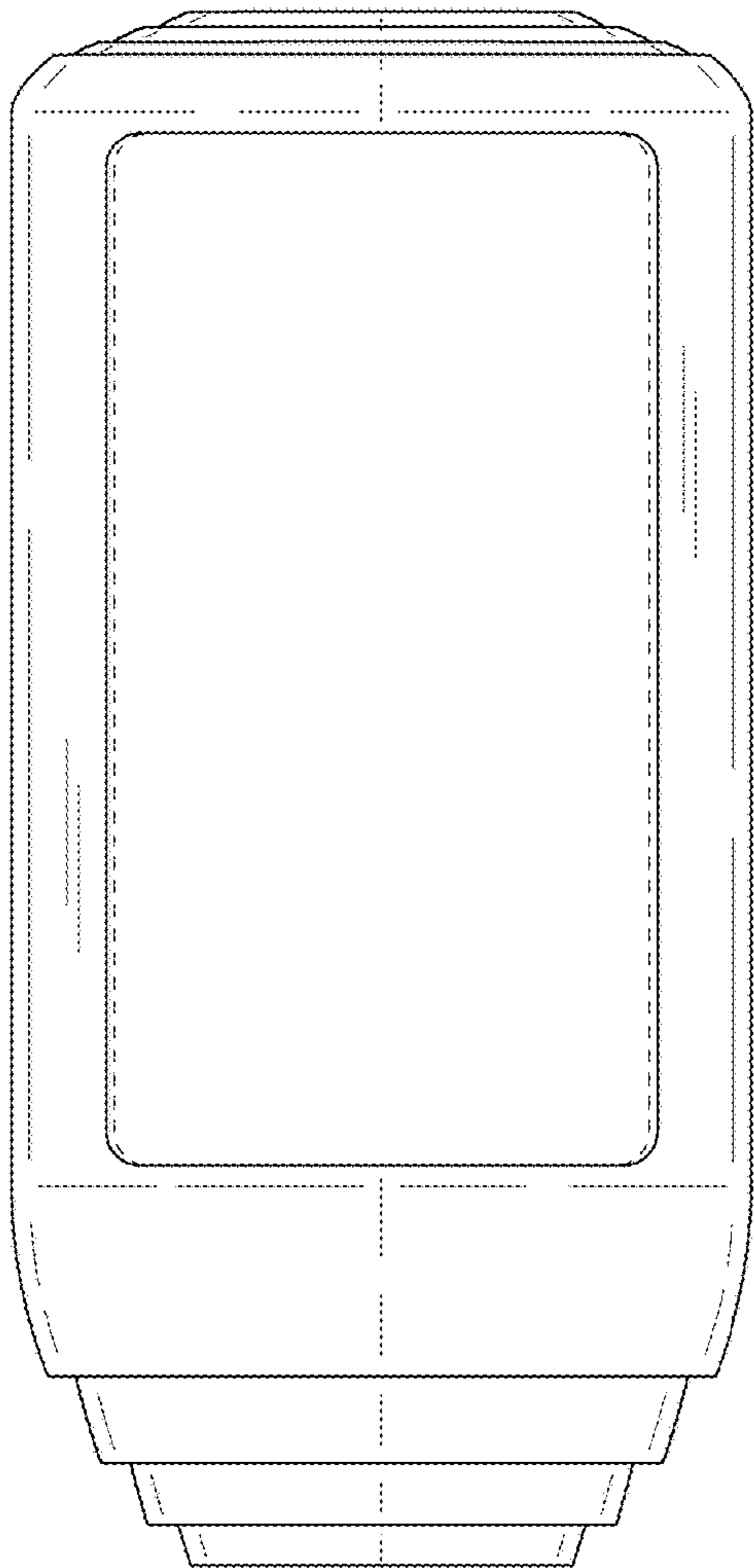


FIG.5

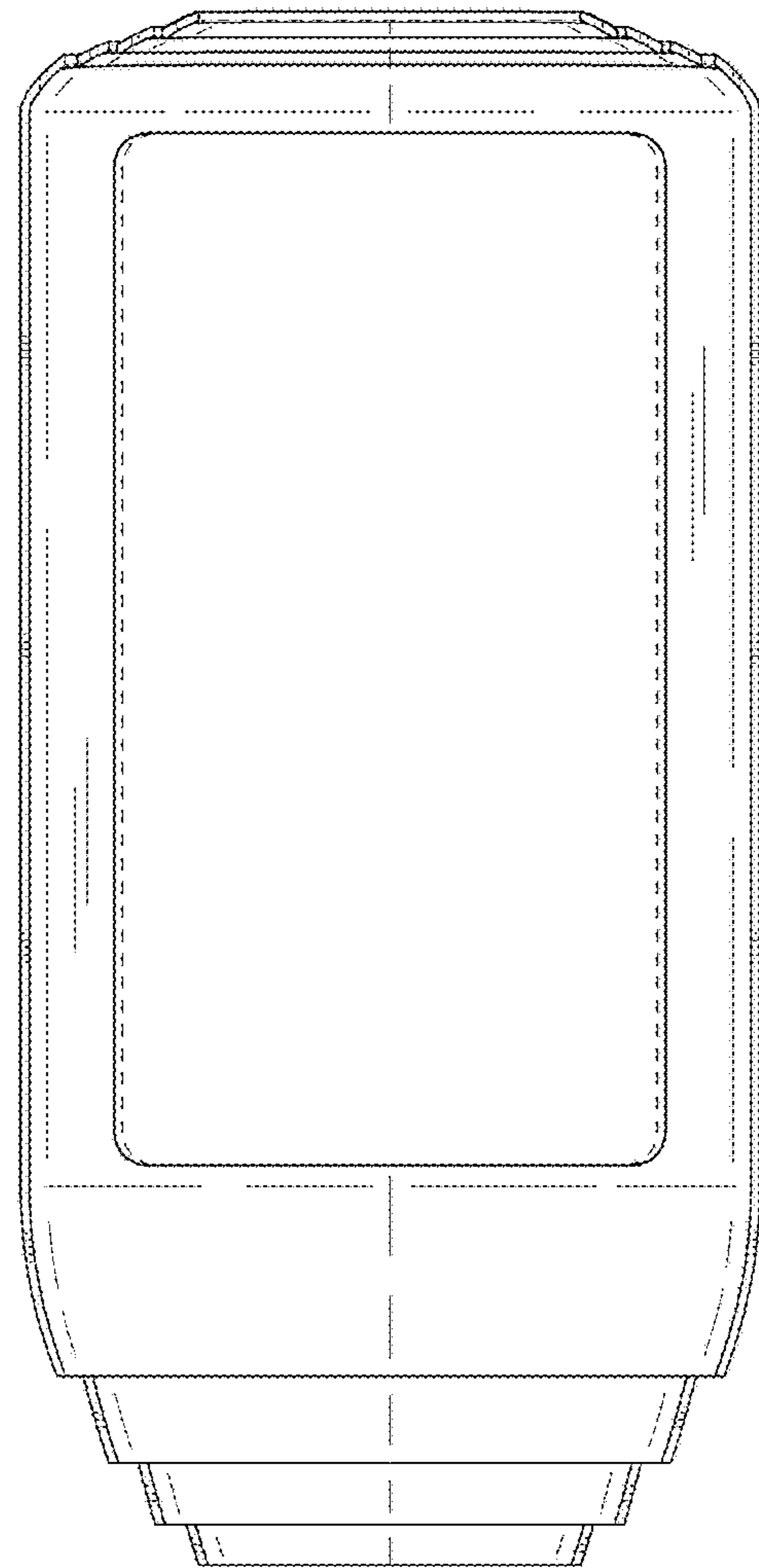


FIG.6

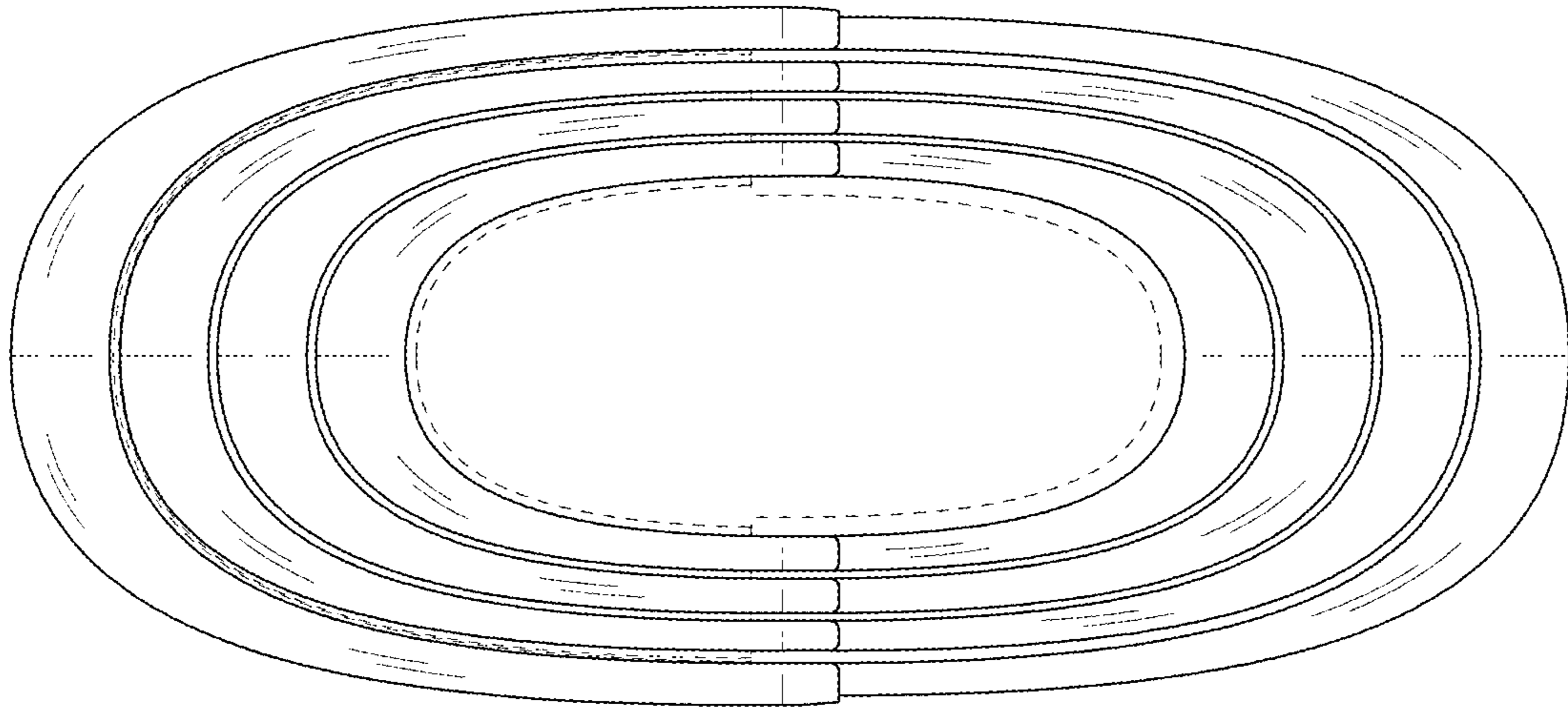


FIG.7

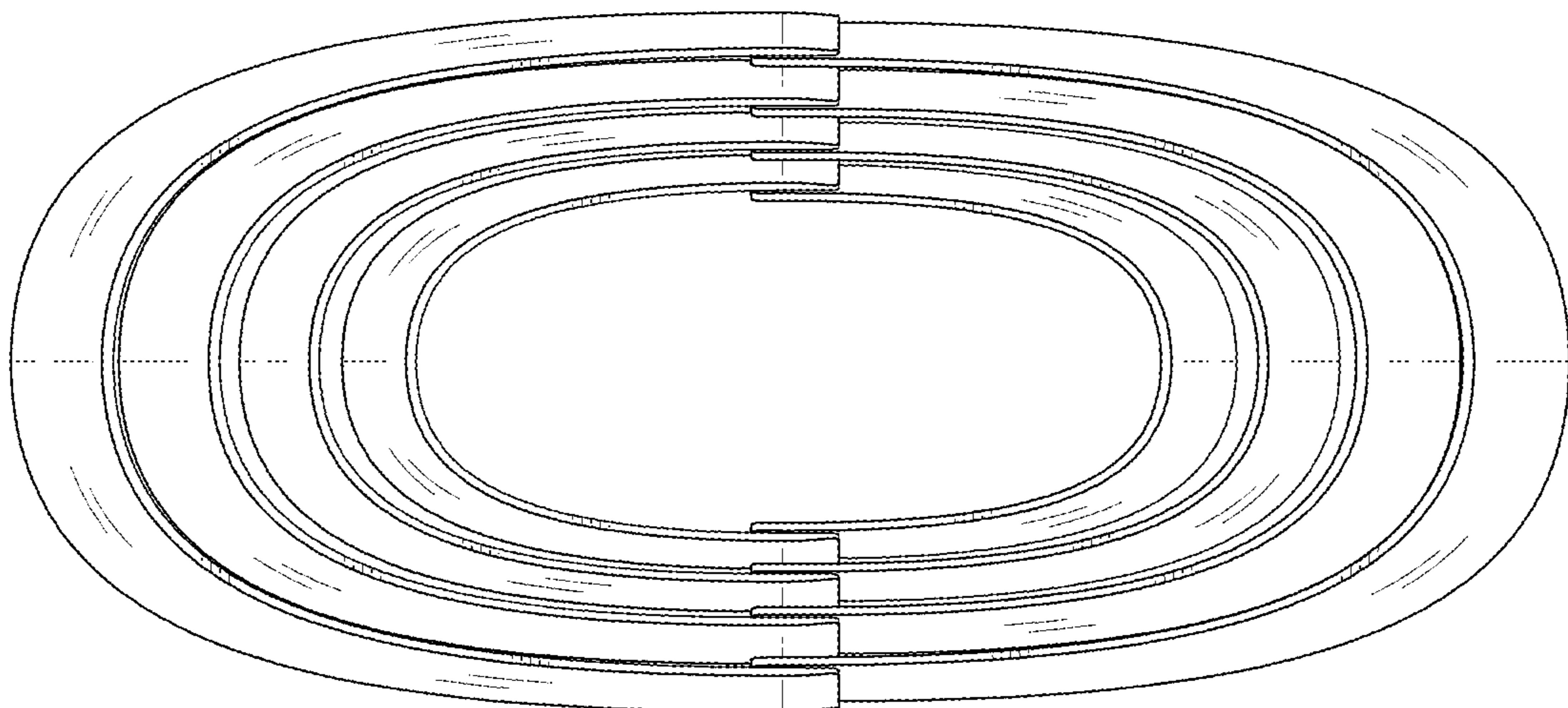


FIG.8

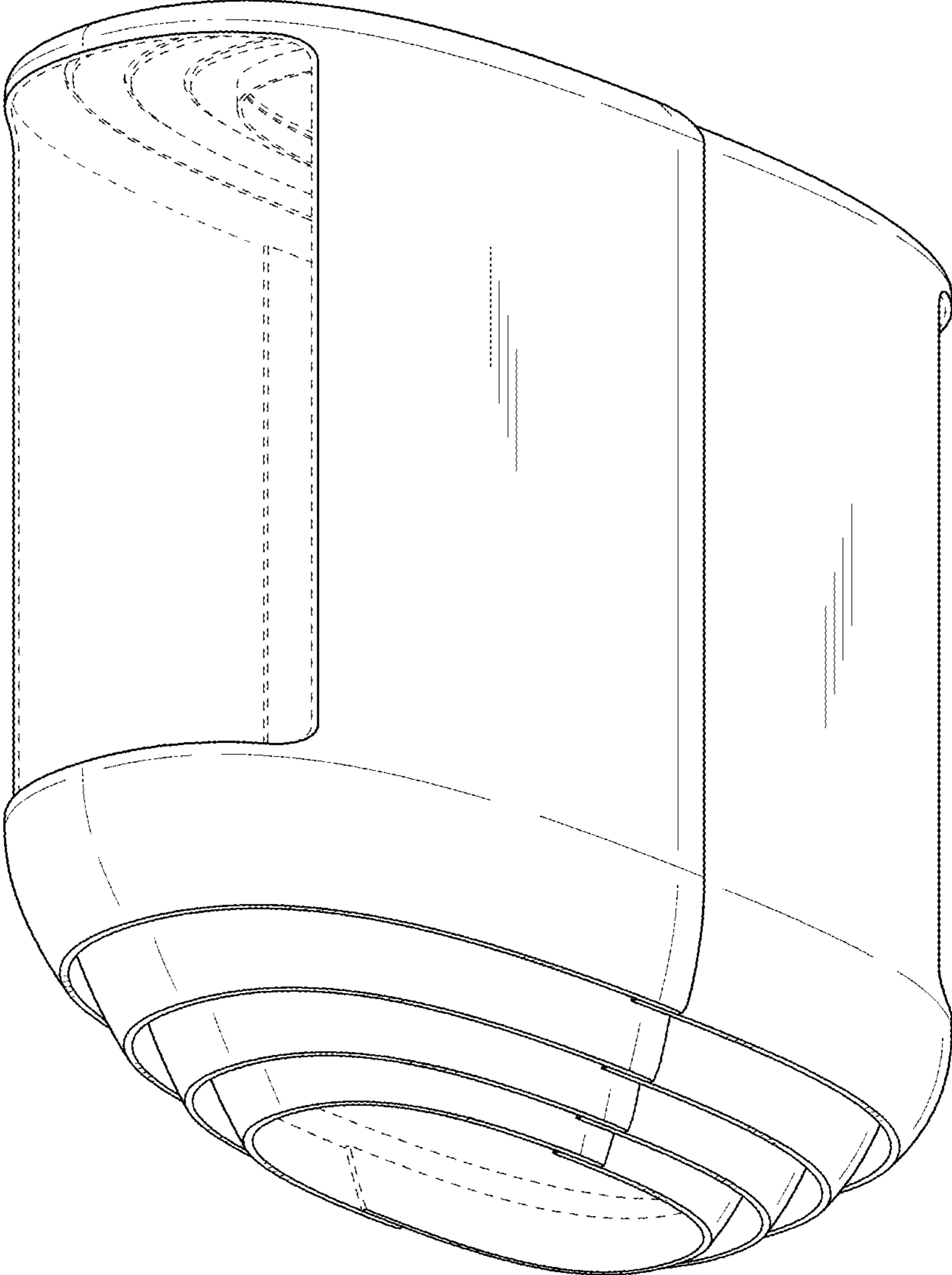


FIG.9

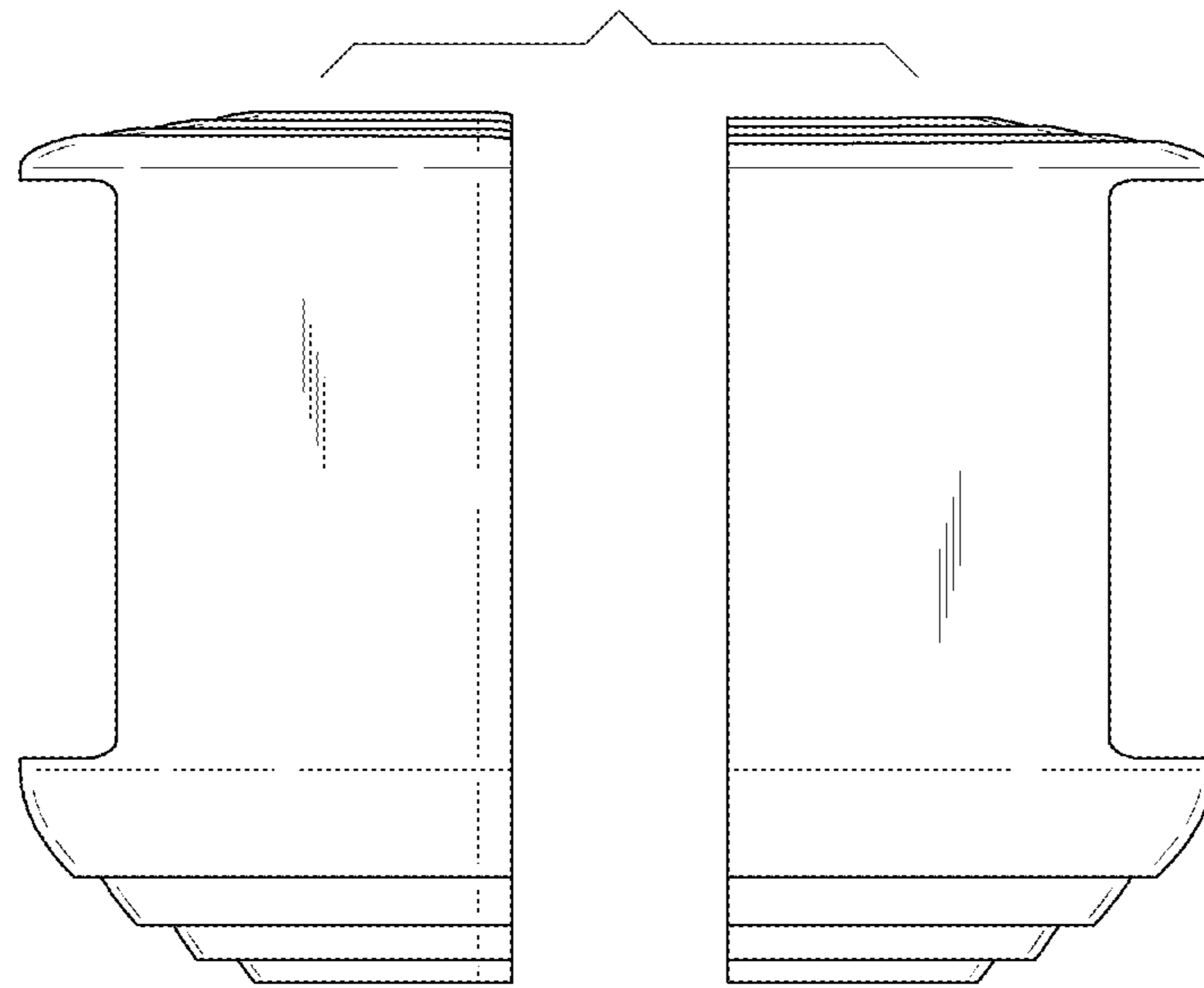


FIG.10

