



US00D892081S

(12) **United States Design Patent**
Waterman et al.

(10) **Patent No.:** **US D892,081 S**

(45) **Date of Patent:** **** *Aug. 4, 2020**

(54) **SPEAKER**

(71) Applicant: **Zigbee Pty Ltd**, Brisbane (AU)

(72) Inventors: **David Waterman**, Brisbane (AU);
Taisen Maddern, Brisbane (AU); **Scott Pringle**, Brisbane (AU)

(73) Assignee: **ZIGBEE PTY LTD.**, Brisbane (AU)

(*) Notice: This patent is subject to a terminal disclaimer.

(**) Term: **15 Years**

(21) Appl. No.: **29/662,515**

(22) Filed: **Sep. 6, 2018**

(30) **Foreign Application Priority Data**

Mar. 6, 2018 (AU) 201811318

(51) **LOC (12) Cl.** **14-01**

(52) **U.S. Cl.**
USPC **D14/216**

(58) **Field of Classification Search**
USPC D14/167, 168, 170–172, 188, 194–196,
D14/204, 209.1, 210–216, 219, 221, 222,
D14/224, 239, 496
CPC B60R 11/0217; G06F 1/1688; G10K 9/22;
G10K 11/004; H03F 1/327; H04M 1/03;
H04M 1/035; H04N 5/642; H04N
21/4852; H04R 1/02; H04R 1/06; H04R
1/021; H04R 1/025; H04R 1/026; H04R
1/028; H04R 1/105; H04R 1/323; H04R
1/403; H04R 1/2803; H04R 1/2834;
H04R 5/02; H04R 7/20; H04R 9/06;
H04R 9/025; H04R 2201/021; H04R
2400/00; H04R 2400/07; H04R 2499/11;
H04R 2499/13; H04R 2499/15; H04S
3/00; H04S 7/30

See application file for complete search history.

(56) **References Cited**

U.S. PATENT DOCUMENTS

D750,597 S *	3/2016	Fischer	D14/216
D765,618 S *	9/2016	Alves	D14/216
D798,268 S *	9/2017	Fang	D14/216
D800,699 S *	10/2017	Fischer	D14/216
D803,813 S *	11/2017	Rouffiat	D14/216
D811,368 S *	2/2018	Fischer	D14/216
D845,925 S *	4/2019	Bellinghausen	D14/204
D848,397 S *	5/2019	Alves	D14/216
D868,033 S *	11/2019	Luo	D14/216
D871,372 S *	12/2019	Wang	D14/216
D873,797 S *	1/2020	Liniado	D14/216

* cited by examiner

Primary Examiner — Keli L Hill

(74) *Attorney, Agent, or Firm* — DeLio Peterson & Curcio, LLC; Thomas E. Ciesco

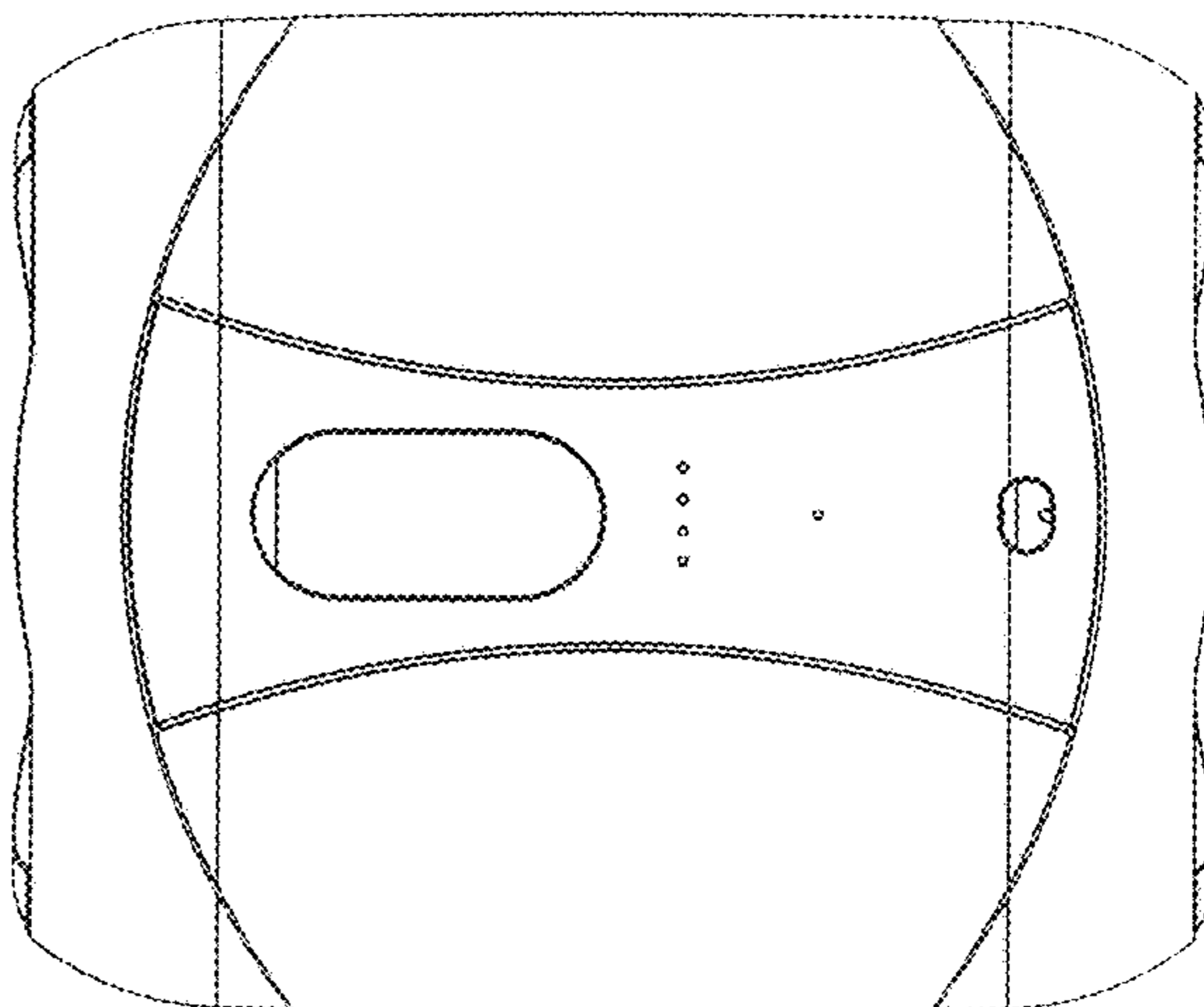
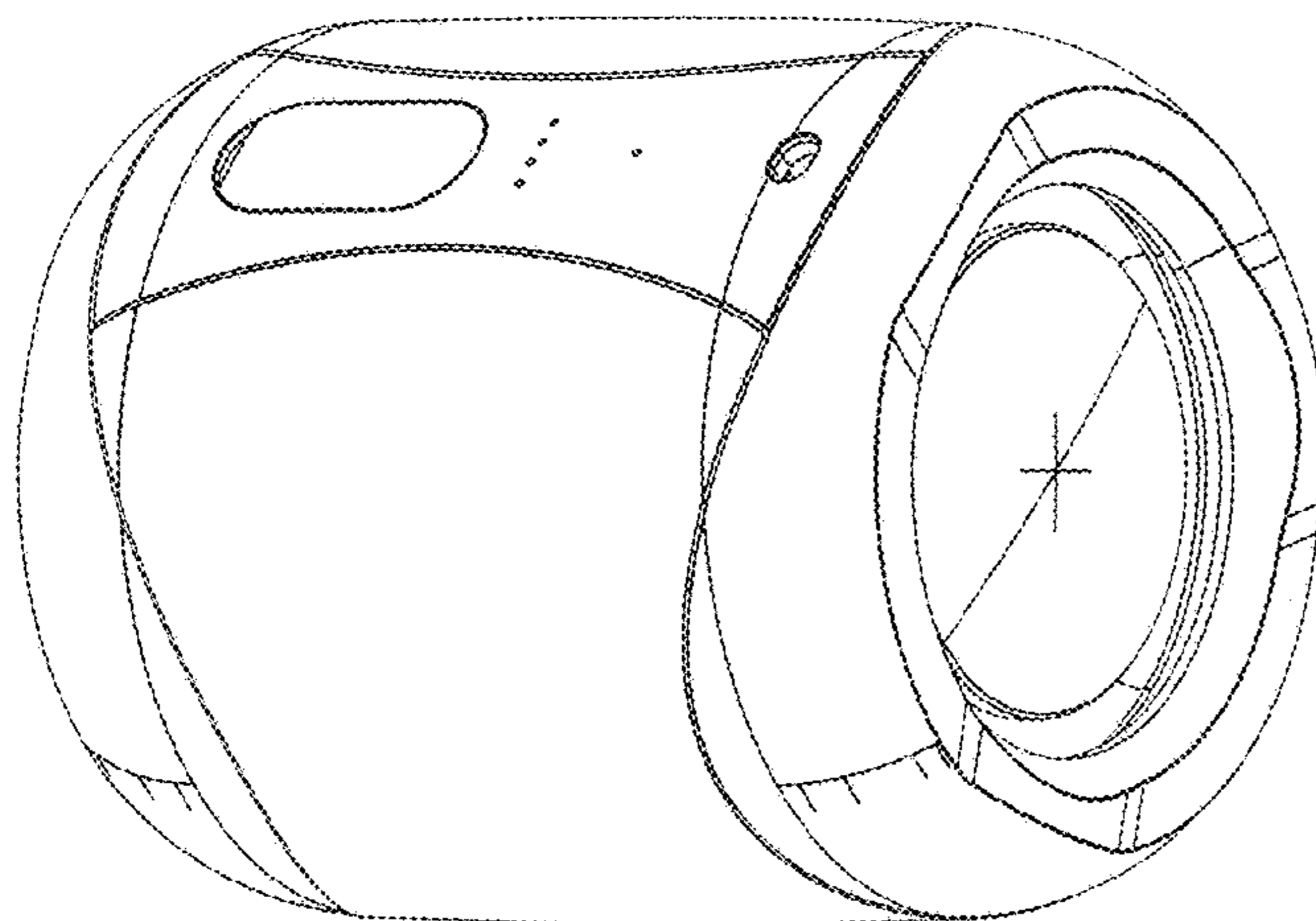
(57) **CLAIM**

The ornamental design for a “speaker,” as shown and described.

DESCRIPTION

FIG. 1 is a right front top perspective view of the “speaker” design according to our invention;
FIG. 2 is a front elevational view of the “speaker” shown in FIG. 1;
FIG. 3 is a rear elevational view of the “speaker” shown in FIG. 1;
FIG. 4 is a bottom plan view of the “speaker” shown in FIG. 1;
FIG. 5 is a left side elevational view of the “speaker” shown in FIG. 1;
FIG. 6 is a right side elevational view of the “speaker” shown in FIG. 1; and,
FIG. 7 is a top plan view of the “speaker” design shown in FIG. 1.

1 Claim, 7 Drawing Sheets



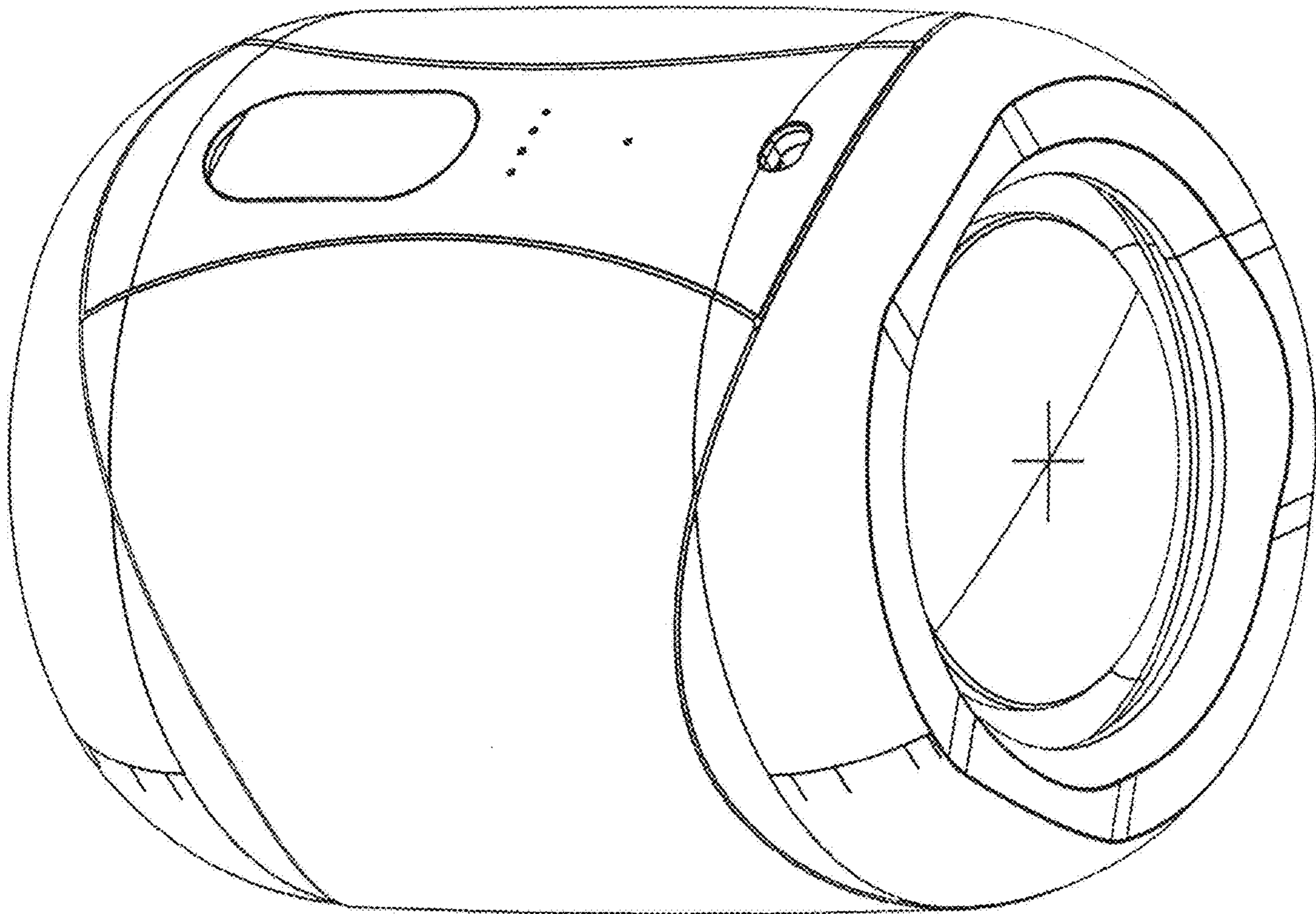


FIG. 1

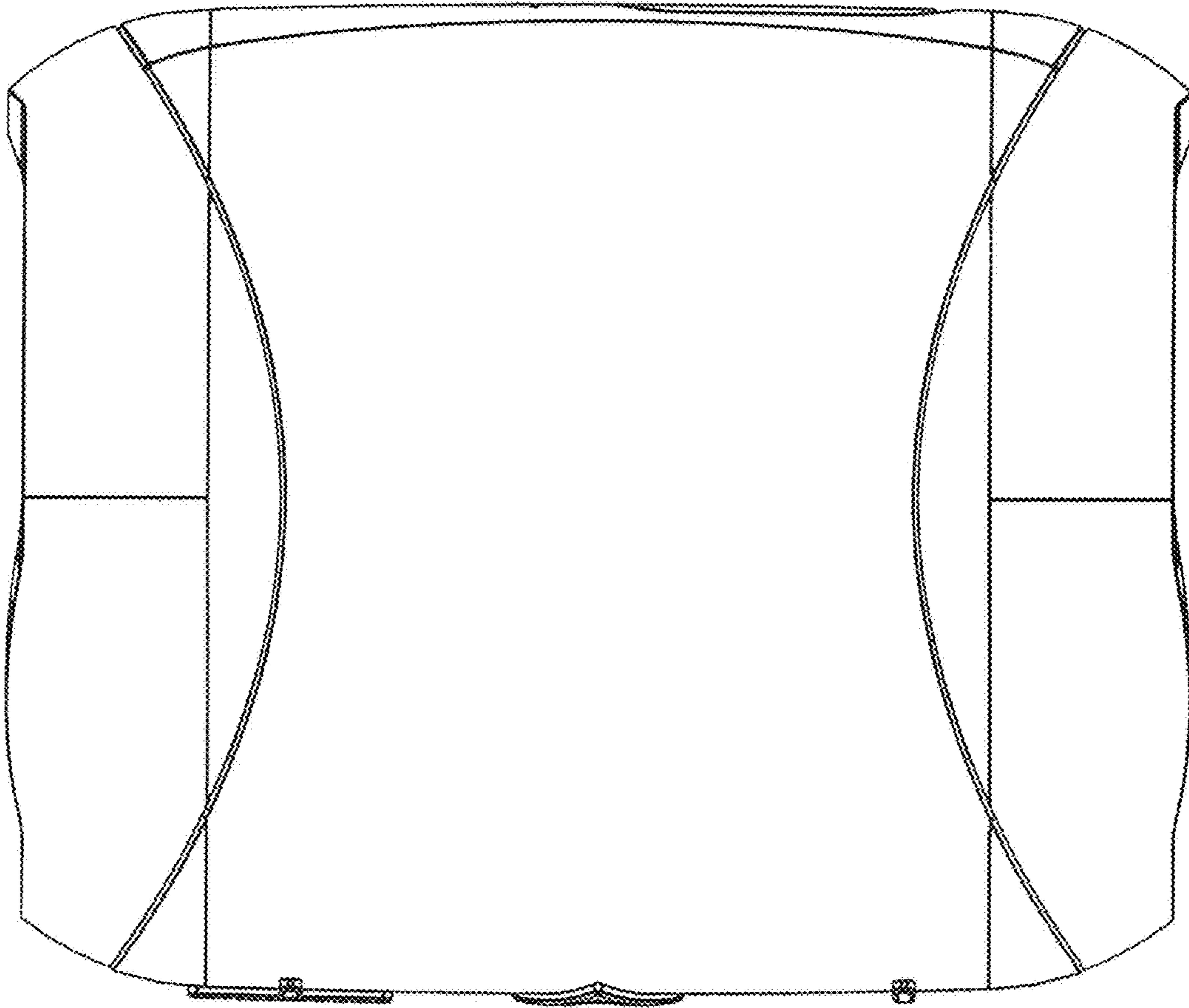


FIG. 2

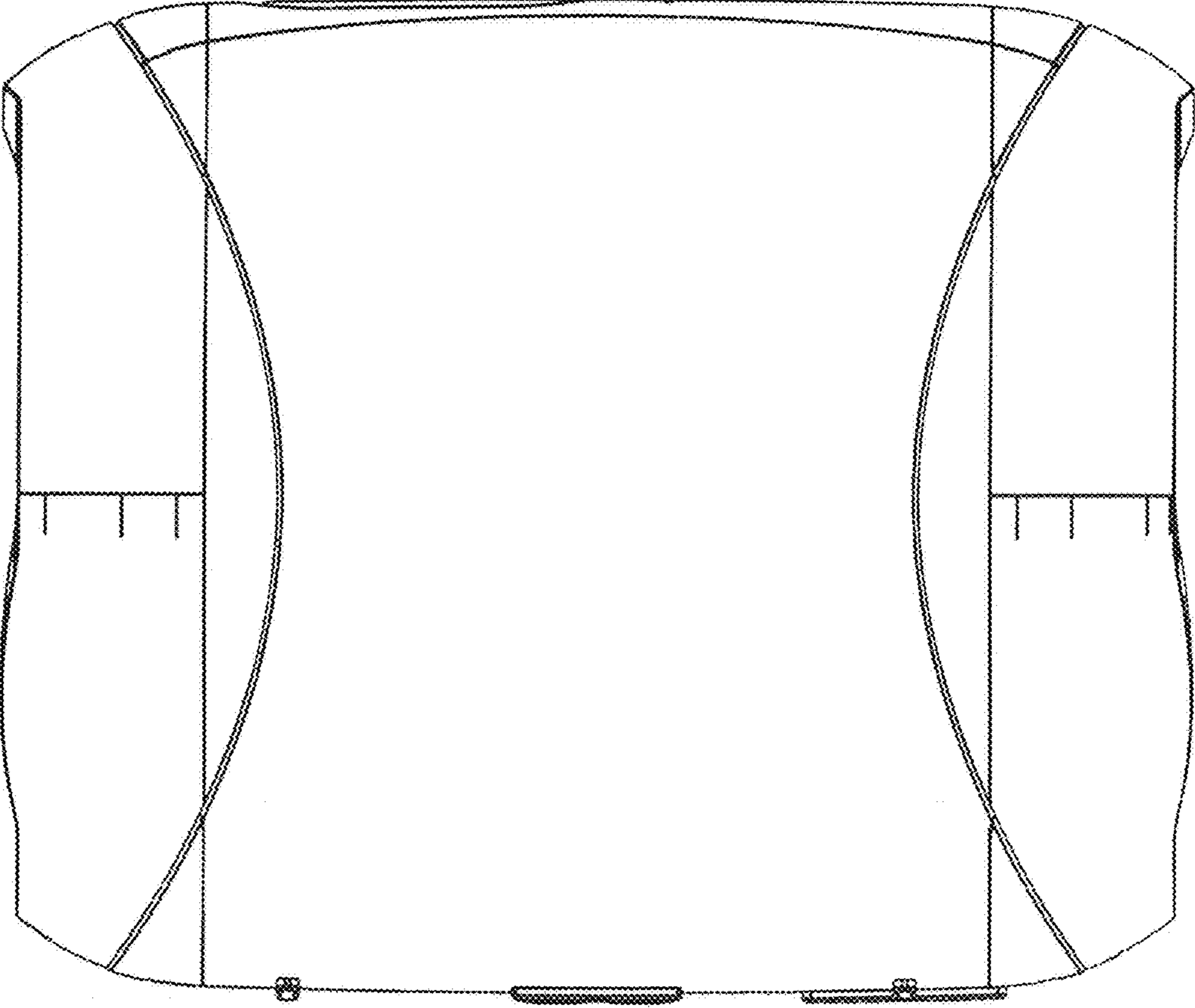


FIG. 3

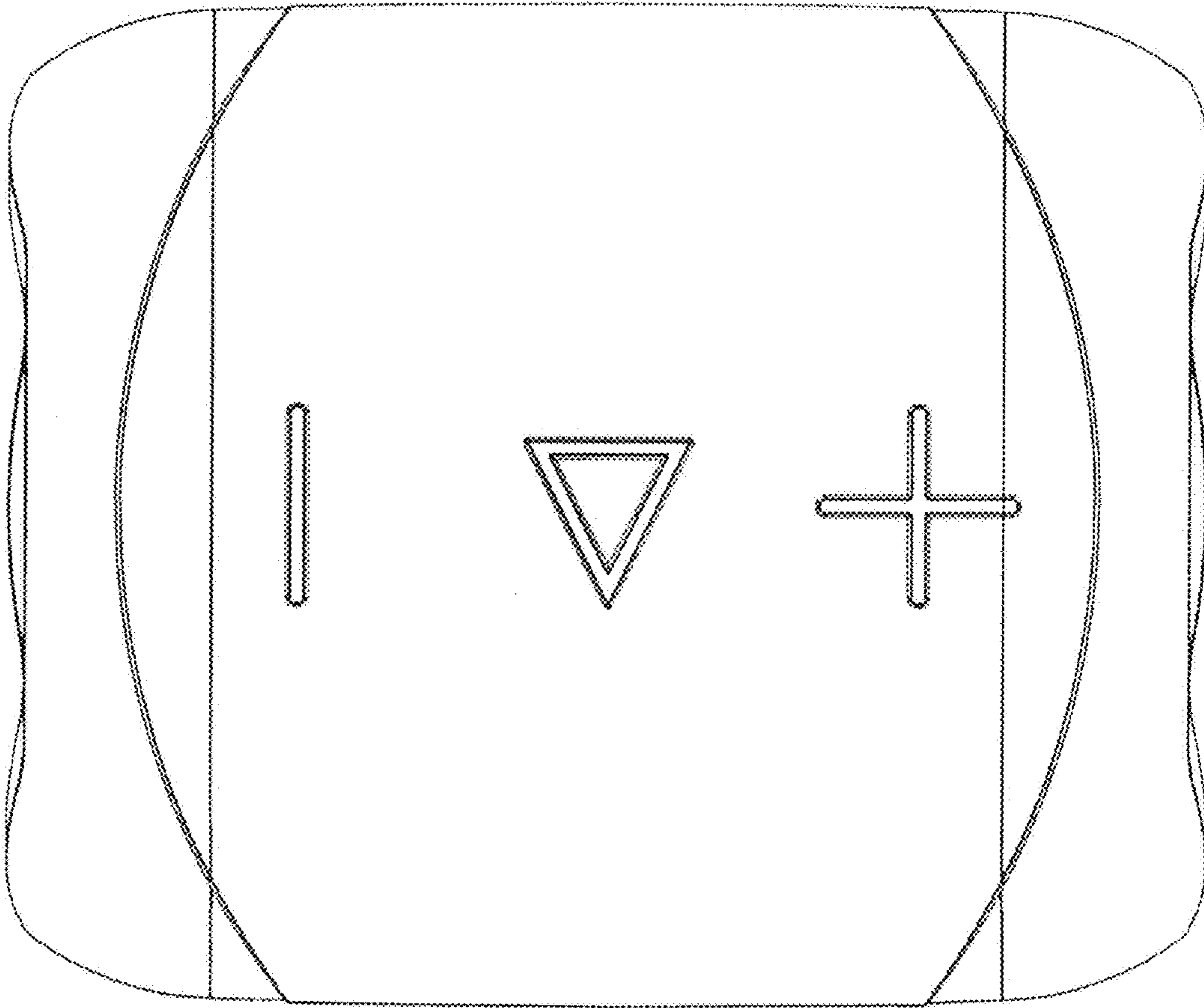


FIG. 4

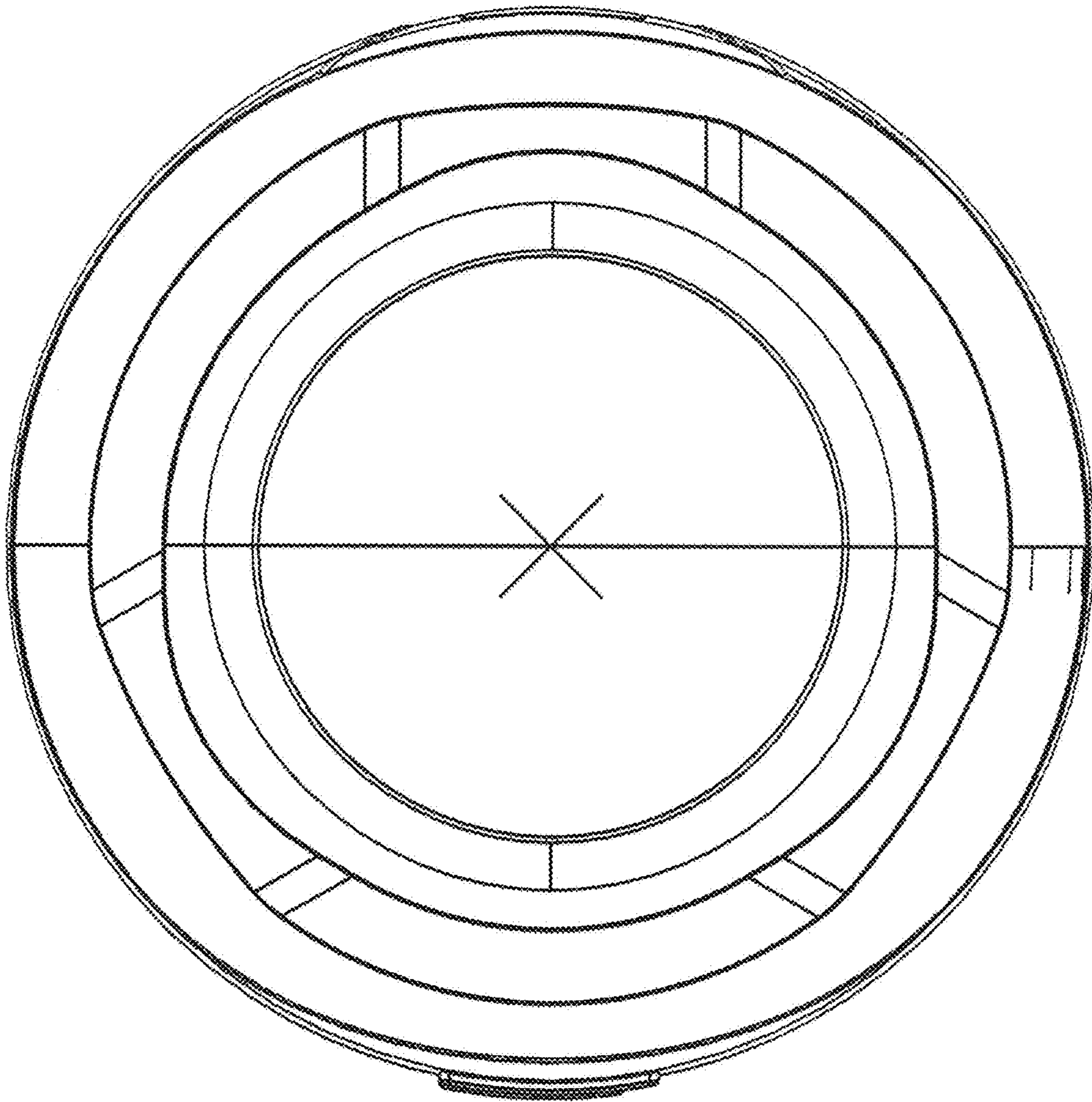


FIG. 5

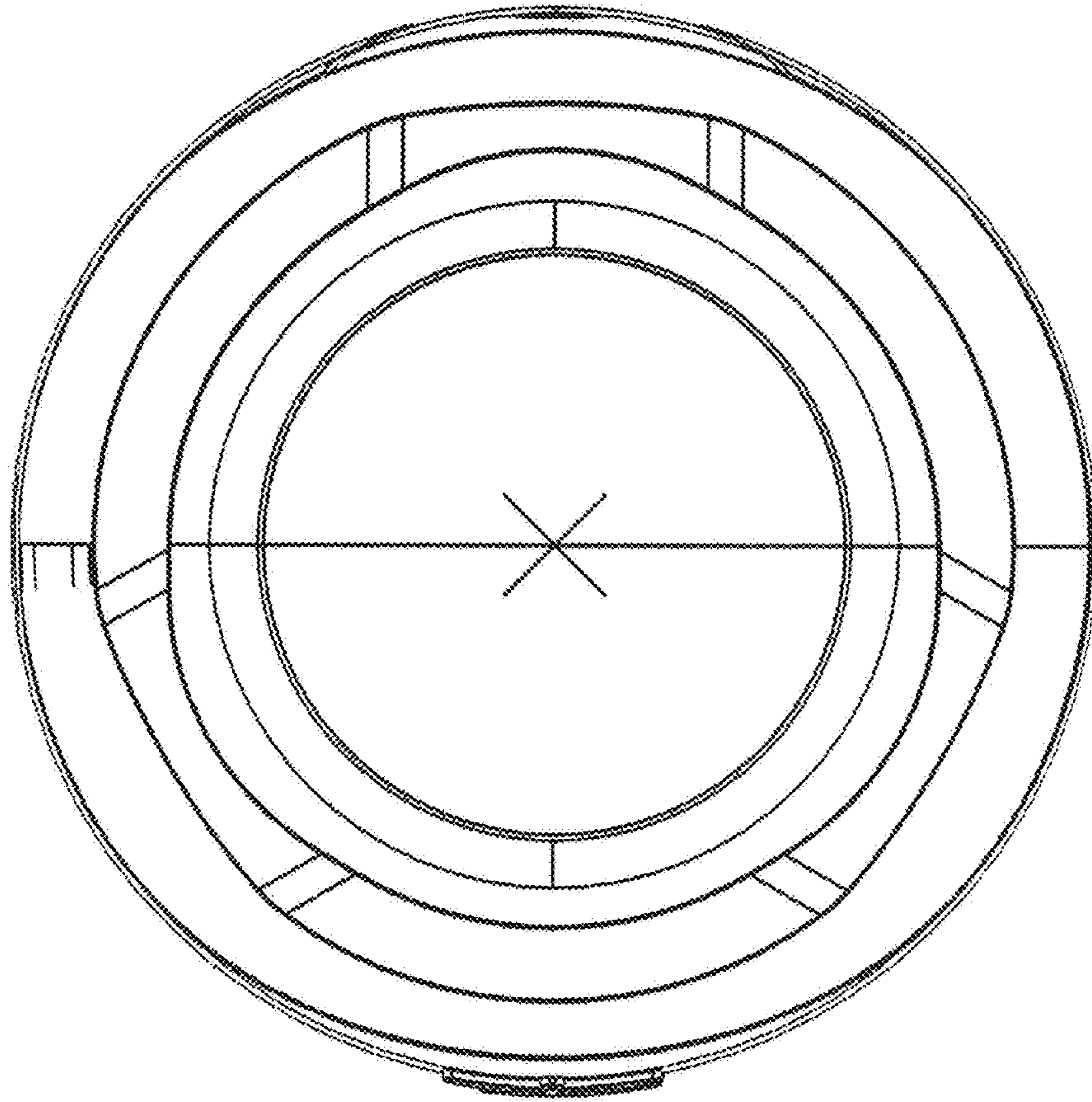


FIG. 6

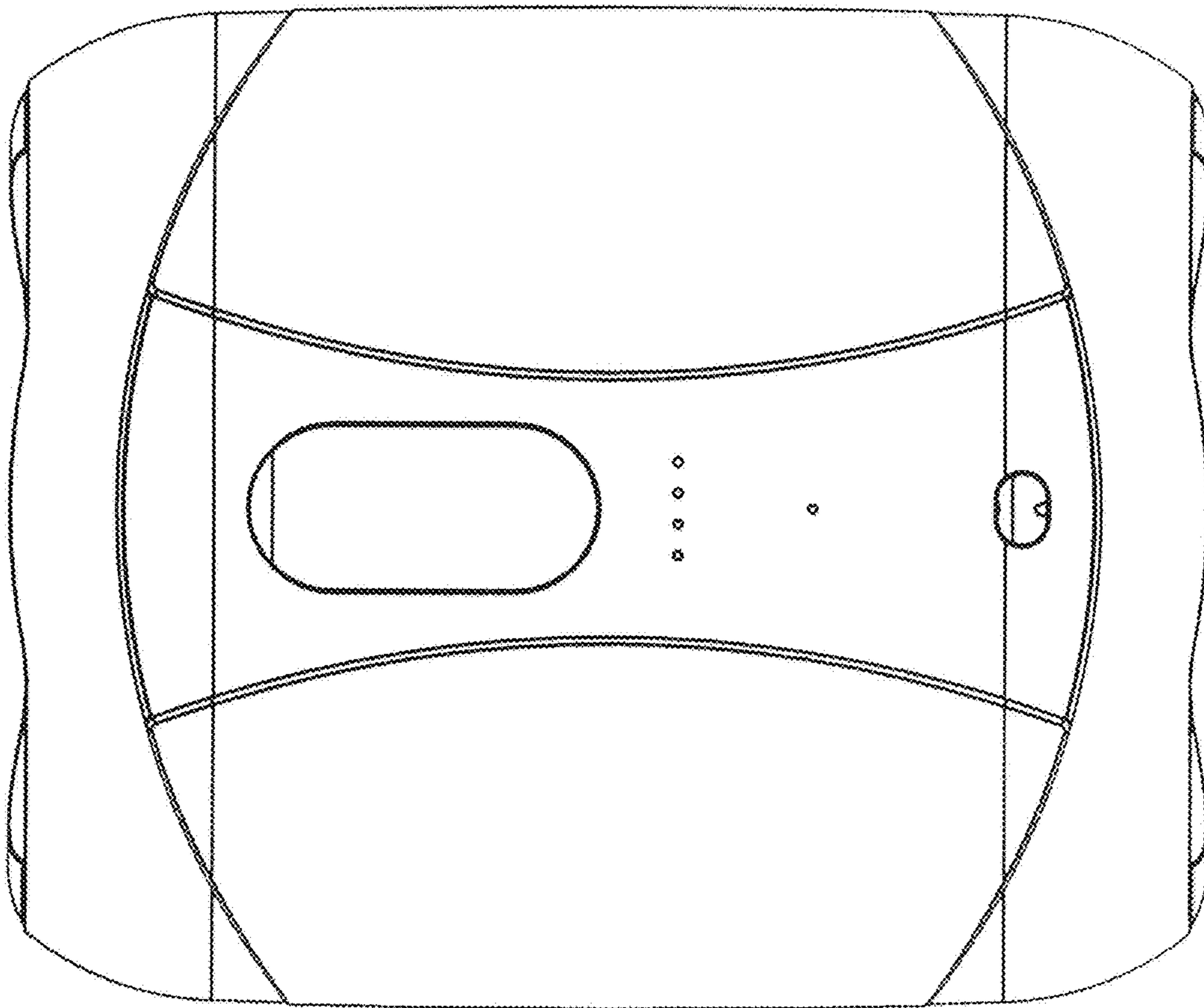


FIG. 7