



US00D892080S

(12) **United States Design Patent**
Krakovskiy

(10) **Patent No.:** **US D892,080 S**

(45) **Date of Patent:** **** Aug. 4, 2020**

(54) **HEADPHONES**

(71) Applicant: **DigiOrange Inc.**, Brooklyn, NY (US)

(72) Inventor: **Alex Krakovskiy**, Brooklyn, NY (US)

(73) Assignee: **DIGIORANGE INC.**, Brooklyn, NY (US)

(**) Term: **15 Years**

(21) Appl. No.: **29/678,414**

(22) Filed: **Jan. 29, 2019**

(51) **LOC (12) Cl.** **14-01**

(52) **U.S. Cl.**

USPC **D14/205**

(58) **Field of Classification Search**

USPC D14/205, 207, 188, 192; D29/112, 105, D29/108; D21/617; D28/4; D5/28, 25, D5/27; D11/224, 158, 159, 202, 207; D7/569, 676

CPC H04R 25/00; H04R 1/1066; H04R 1/1016; H04R 5/033; H04R 5/0335; H04R 1/10

See application file for complete search history.

(56) **References Cited**

U.S. PATENT DOCUMENTS

- D104,045 S * 4/1937 Perona et al. D6/611
- D155,702 S * 10/1949 Ganine D21/617
- 2,697,836 A * 12/1954 Lattuca A61F 11/06
2/209
- 2,914,772 A * 12/1959 Lemelson A41G 7/00
2/206
- 2,947,091 A * 8/1960 McCrary A63H 3/24
434/247
- 3,085,253 A * 4/1963 Ulrich A61F 11/14
2/209
- 3,211,146 A * 10/1965 Rodelli A61F 13/122
604/303
- D205,272 S * 7/1966 Joseph D28/64.5

- 3,462,153 A * 8/1969 Barlow A63F 3/00697
273/243
- 4,172,549 A * 10/1979 Yoshida B65D 5/02
206/315.9
- 4,547,171 A * 10/1985 Horimoto A63H 3/02
446/370
- D291,197 S * 8/1987 LaLanne D14/205
- 4,816,000 A * 3/1989 Hsu A63H 3/005
206/457
- D324,523 S * 3/1992 Hughes D14/205
- D336,299 S * 6/1993 Darovic D14/205
- D383,136 S * 9/1997 Leifer D14/205
- D430,386 S * 9/2000 Necatera D2/869
- D455,801 S * 4/2002 Chang D21/617
- D458,759 S * 6/2002 Landauer D21/659
- D482,393 S * 11/2003 Hui D19/116
- D538,261 S * 3/2007 Taylor D14/205

(Continued)

FOREIGN PATENT DOCUMENTS

- EM 005652120-0003 * 9/2018
- EM 007685730-0001 * 2/2020

Primary Examiner — Paula Allen Greene

(74) *Attorney, Agent, or Firm* — DLA Piper LPP (US)

(57) **CLAIM**

The ornamental design for headphones, as shown and described.

DESCRIPTION

FIG. 1 is a perspective view of the headphones showing my new design;

FIG. 2 is a front side view of the headphones, the back side view being identical;

FIG. 3 is a right side view of the headphones;

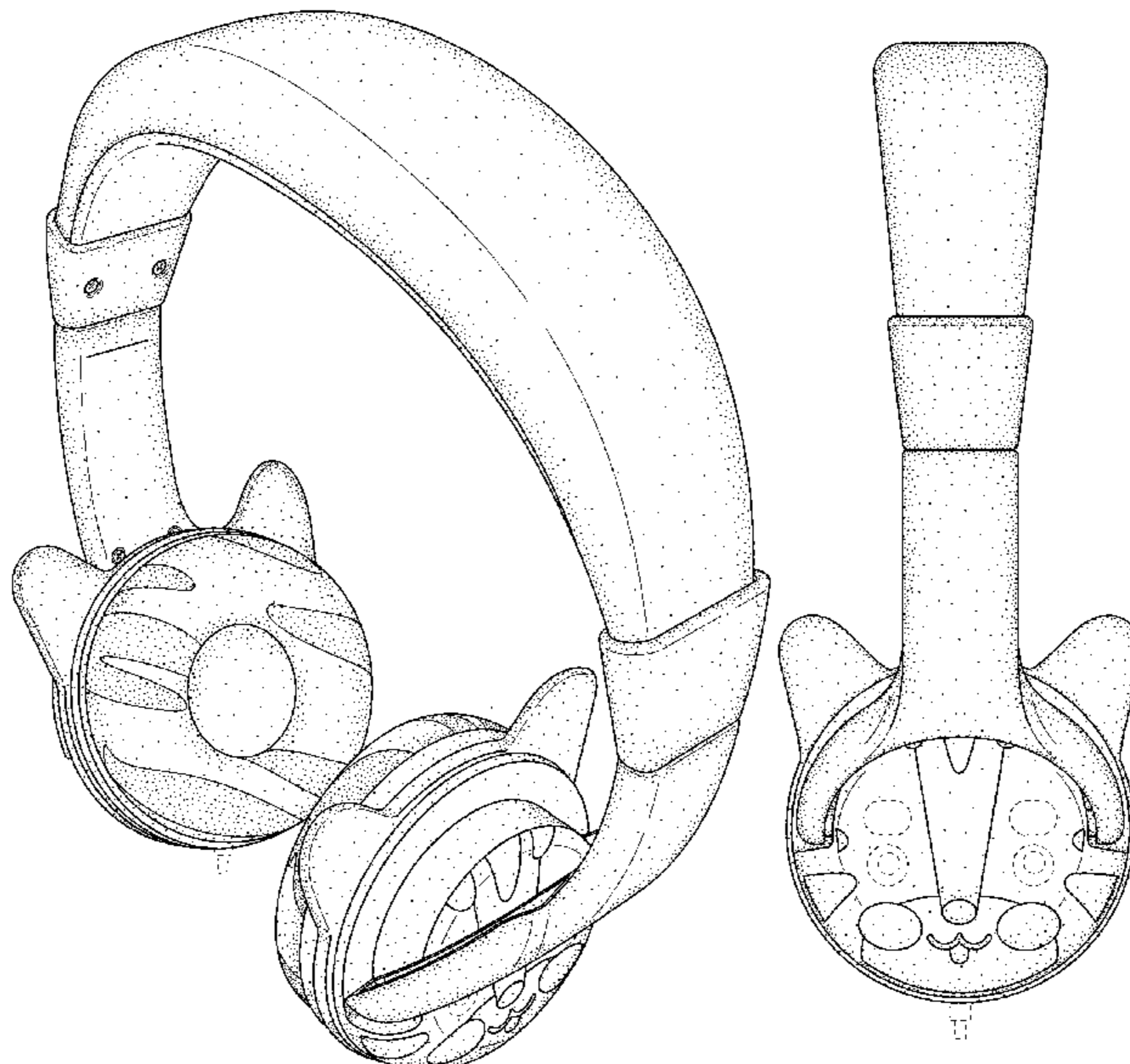
FIG. 4 is a left side view of the headphones;

FIG. 5 is a top view of the headphones; and,

FIG. 6 is a bottom view of the headphones.

The broken lines in the drawings depict portions of the headphones that form no part of the claimed design.

1 Claim, 5 Drawing Sheets



(56)

References Cited

U.S. PATENT DOCUMENTS

D643,065	S	*	8/2011	Van der Lande	D19/142
D685,283	S	*	7/2013	Katoh	D11/1
D719,136	S	*	12/2014	Schaal	D14/205
D757,679	S	*	5/2016	Yan	D14/205
D758,508	S	*	6/2016	Chuang	D21/617
D780,378	S	*	2/2017	Chow	A61F 11/14
						D29/112
D795,837	S	*	8/2017	Cai	D14/205
D801,948	S	*	11/2017	Picunko	D14/205
D813,195	S	*	3/2018	Huang	D14/205
D815,060	S	*	4/2018	Ando	D14/205
10,021,487	B2	*	7/2018	Yan	H04R 5/0335
D851,624	S	*	6/2019	Huang	D14/205
D863,253	S	*	10/2019	He	D14/205
D869,433	S	*	12/2019	Huan	D14/205
D877,114	S	*	3/2020	Lindenberger	D14/205

* cited by examiner

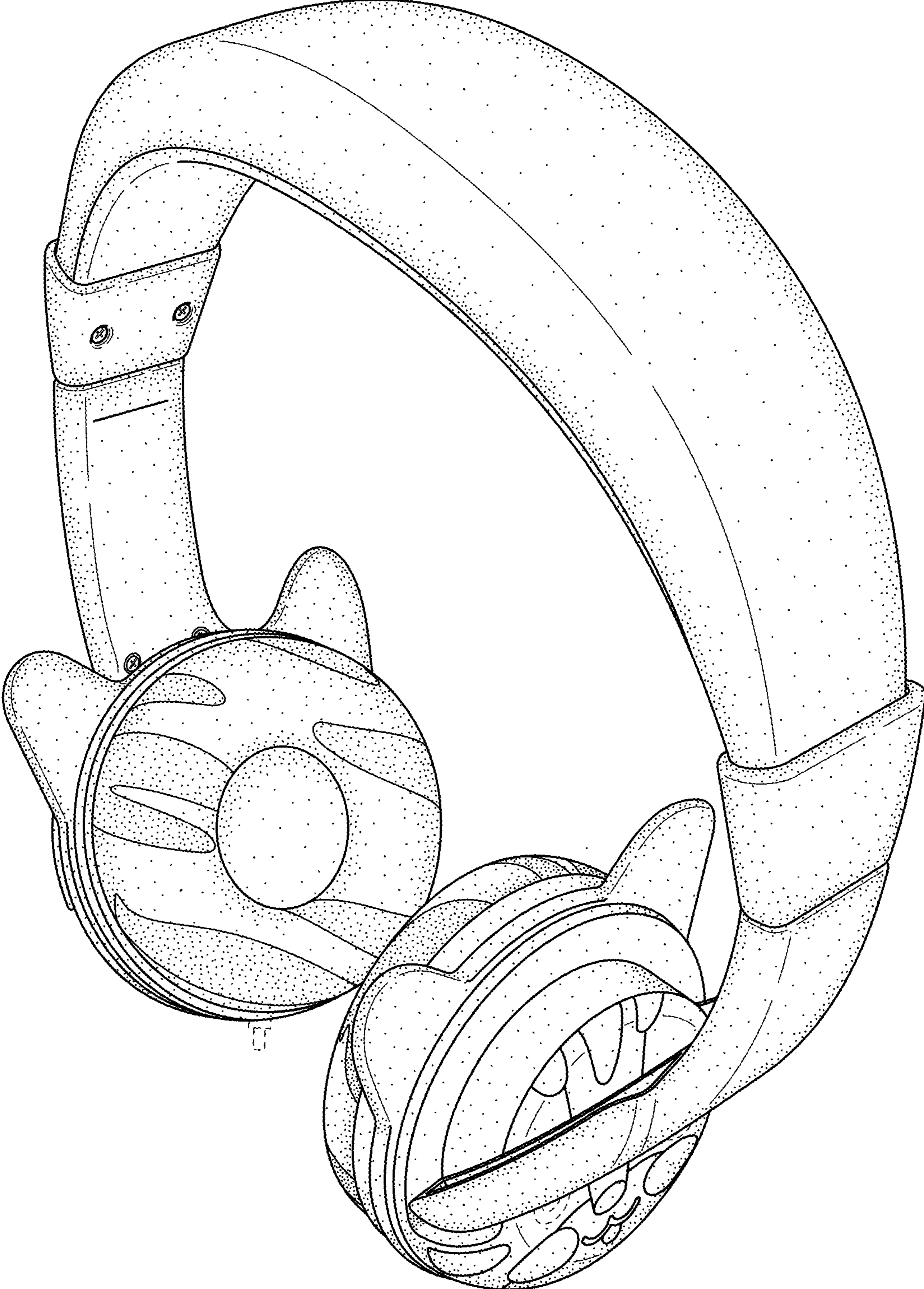


FIG. 1

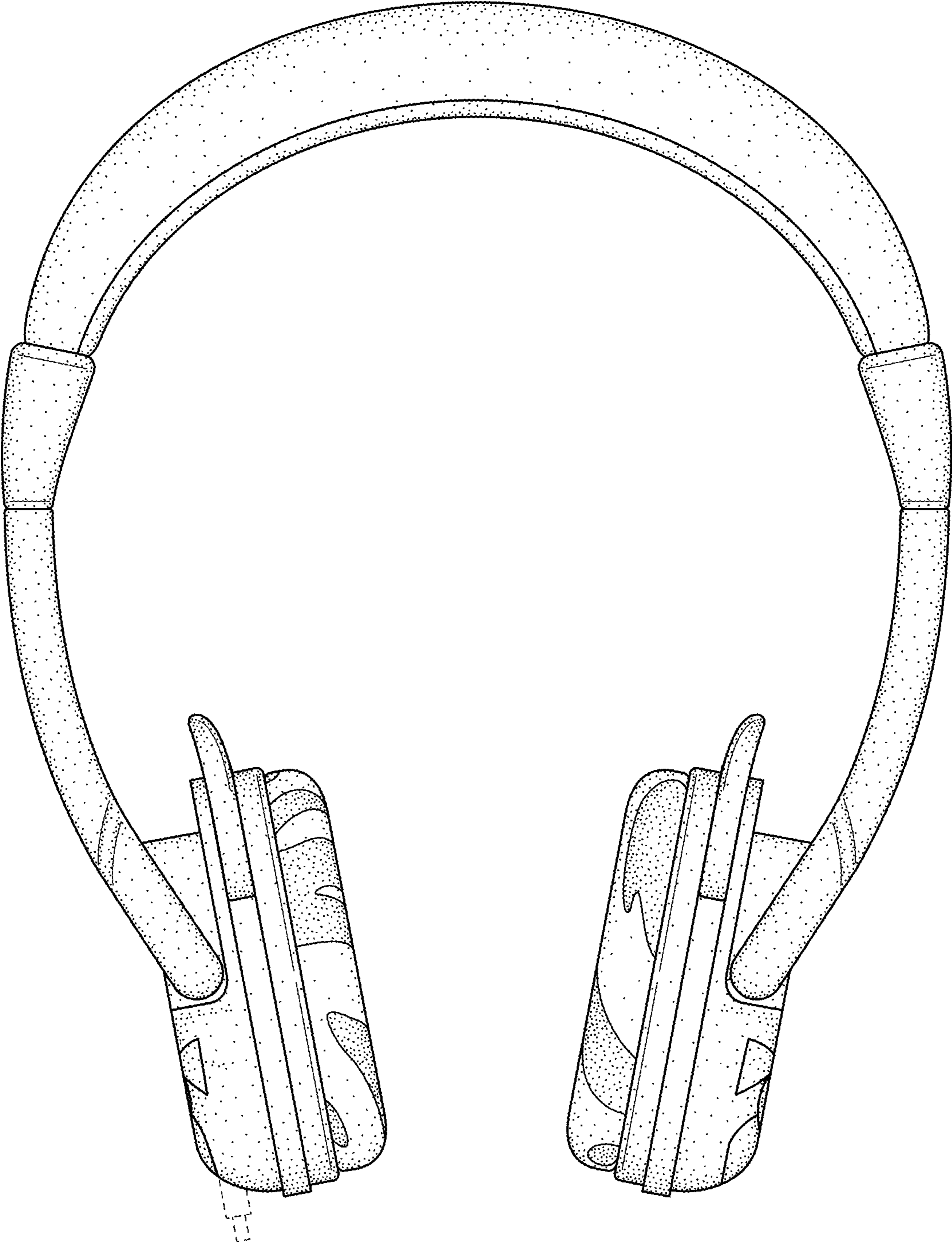


FIG. 2

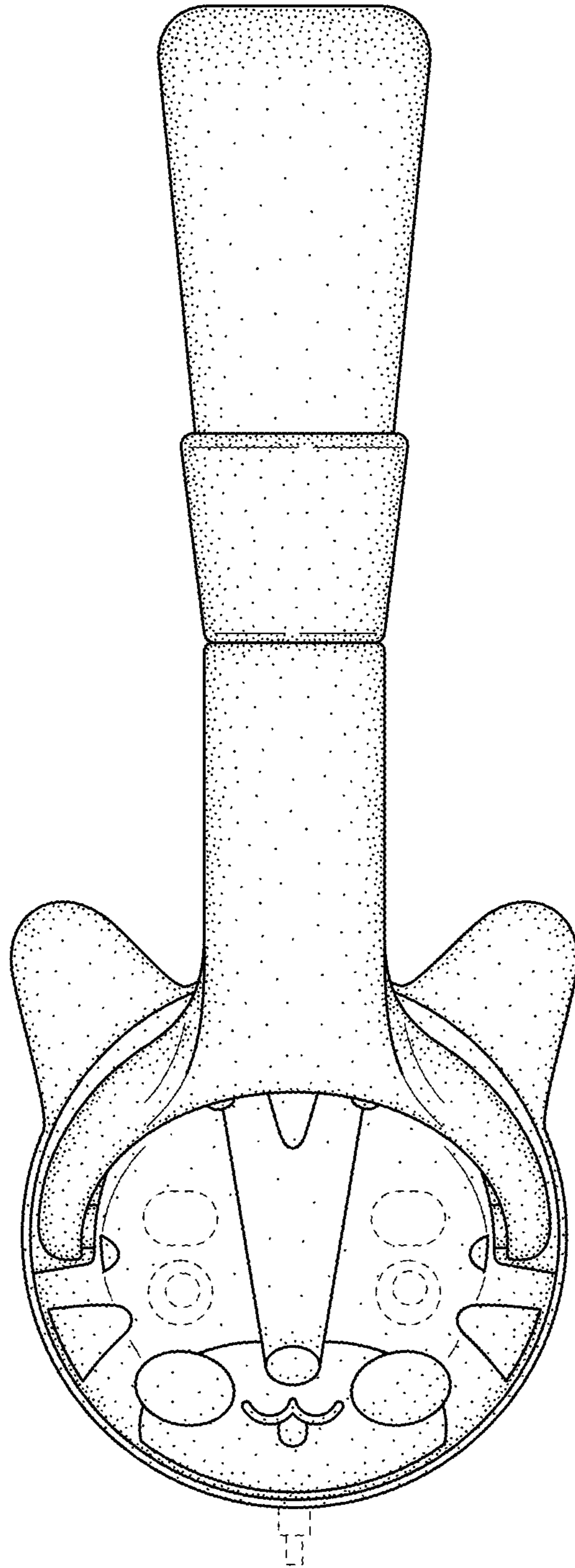


FIG. 3

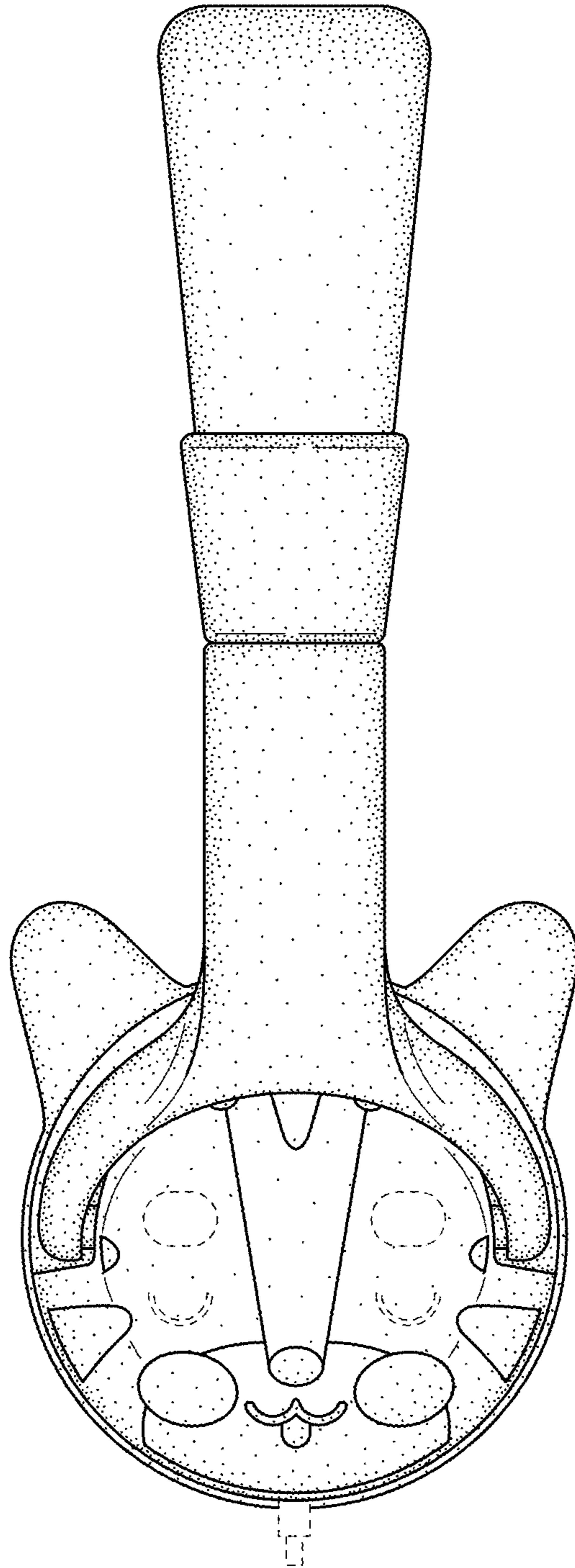


FIG. 4

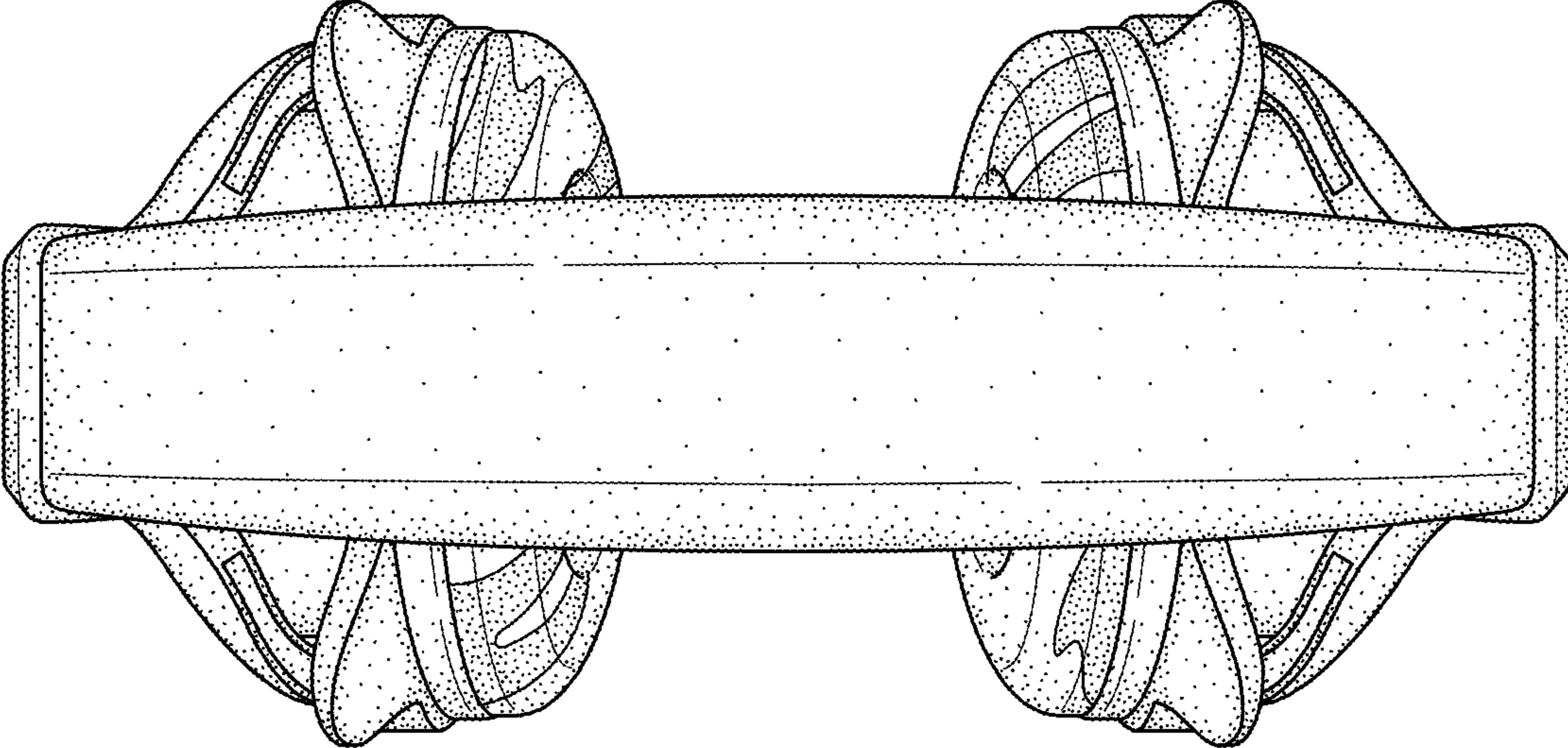


FIG. 5

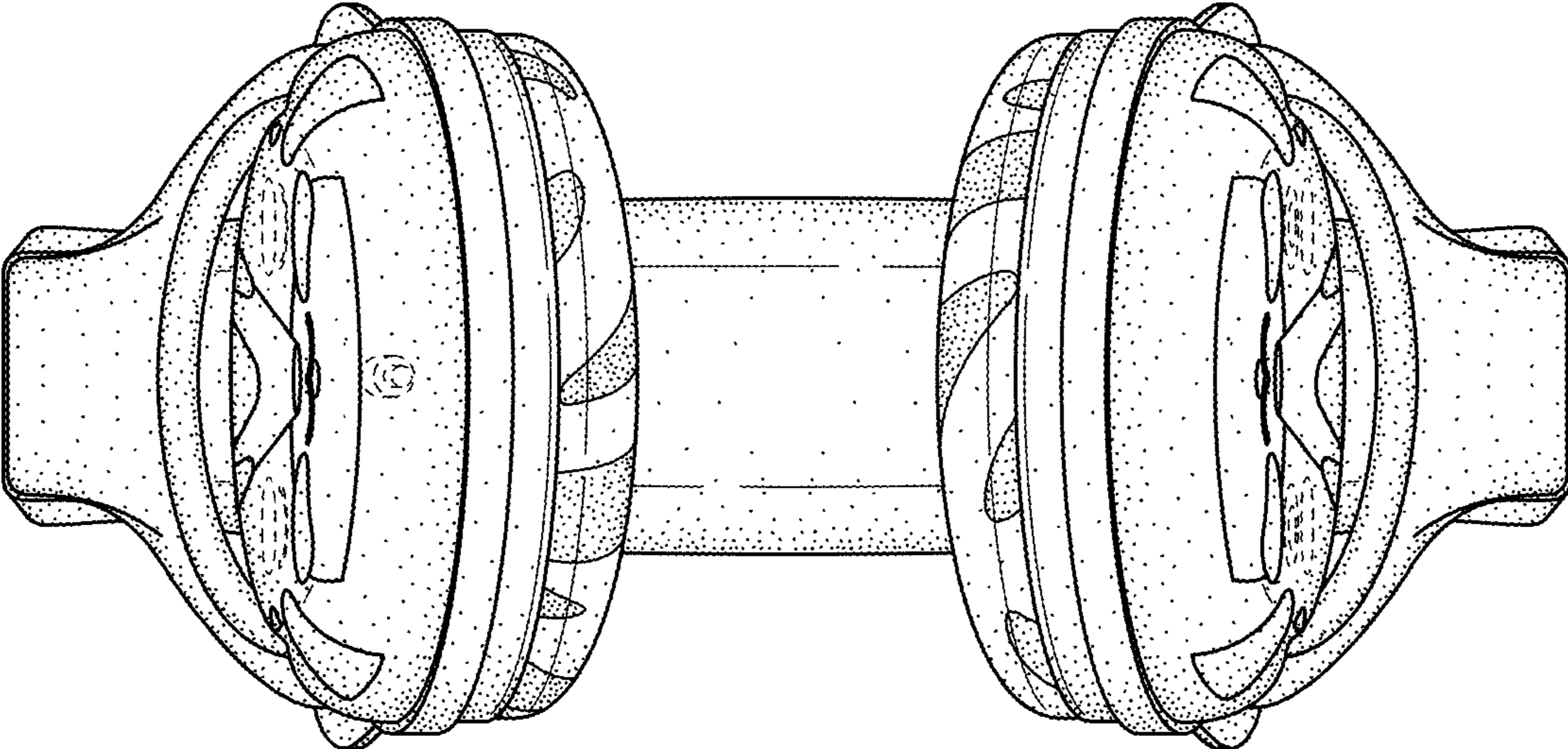


FIG. 6