



US00D892079S

(12) **United States Design Patent**
Wu

(10) **Patent No.:** **US D892,079 S**

(45) **Date of Patent:** **** Aug. 4, 2020**

(54) **HEADPHONES**

(71) Applicant: **Whales Technology (USA) Inc.**, City of Industry, CA (US)

(72) Inventor: **Wenhua Wu**, Shenzhen (CN)

(**) Term: **15 Years**

(21) Appl. No.: **29/676,918**

(22) Filed: **Jan. 16, 2019**

(51) **LOC (12) Cl.** **14-01**

(52) **U.S. Cl.**
USPC **D14/205**

(58) **Field of Classification Search**
USPC D14/205, 206, 188, 192, 372; D29/112;
2/209; 455/90.3, 575.1, 569.1; 381/379
CPC H04R 25/00; H04R 25/02; H04R 1/1066;
H04R 1/1016; H04R 5/033; H04R
5/0335; H04R 1/1041
See application file for complete search history.

(56) **References Cited**

U.S. PATENT DOCUMENTS

- 1,606,165 A * 11/1926 Glenn H01B 7/04
381/384
- 3,272,926 A * 9/1966 Falkenberg H04R 1/1008
381/372
- 3,505,684 A * 4/1970 Hutchinson A61F 11/14
2/209
- 3,787,899 A * 1/1974 Krawagna H04R 1/1066
2/209
- 4,409,442 A * 10/1983 Kamimura H04R 5/0335
381/370
- D355,913 S * 2/1995 Chong D14/155
- 5,640,458 A * 6/1997 Nishiguchi G11C 7/16
381/2
- 6,392,196 B1 * 5/2002 Lin A61F 11/14
2/209
- D491,163 S * 6/2004 Green D14/205

- D512,708 S * 12/2005 Harris, Jr. D14/205
- 6,993,143 B2 * 1/2006 Harris H04R 1/1066
381/374
- D524,794 S * 7/2006 Kim, II D14/205
- D541,255 S * 4/2007 Taylor D14/205
- D552,077 S * 10/2007 Brunner D14/205
- D563,382 S * 3/2008 Wikel D14/205
- 7,388,960 B2 * 6/2008 Kuo H04R 1/1041
379/430
- D573,581 S * 7/2008 Gondo D14/205
- D576,604 S * 9/2008 Suzuki D14/205
- D581,394 S * 11/2008 Lee D14/205
- D585,871 S * 2/2009 Lee D14/205
- D585,872 S * 2/2009 Lee D14/205
- D594,847 S * 6/2009 Suzuki D14/205
- D600,674 S * 9/2009 Brennwald D14/205
- D616,865 S * 6/2010 Marchand D14/205
- D623,167 S * 9/2010 Hildebrandt D14/205
- D637,579 S * 5/2011 Hamaura D14/205
- D642,554 S * 8/2011 Schaal D14/205

(Continued)

Primary Examiner — Paul Allen Greene

(74) *Attorney, Agent, or Firm* — Law Office of Glenn R. Smith; Glenn R. Smith

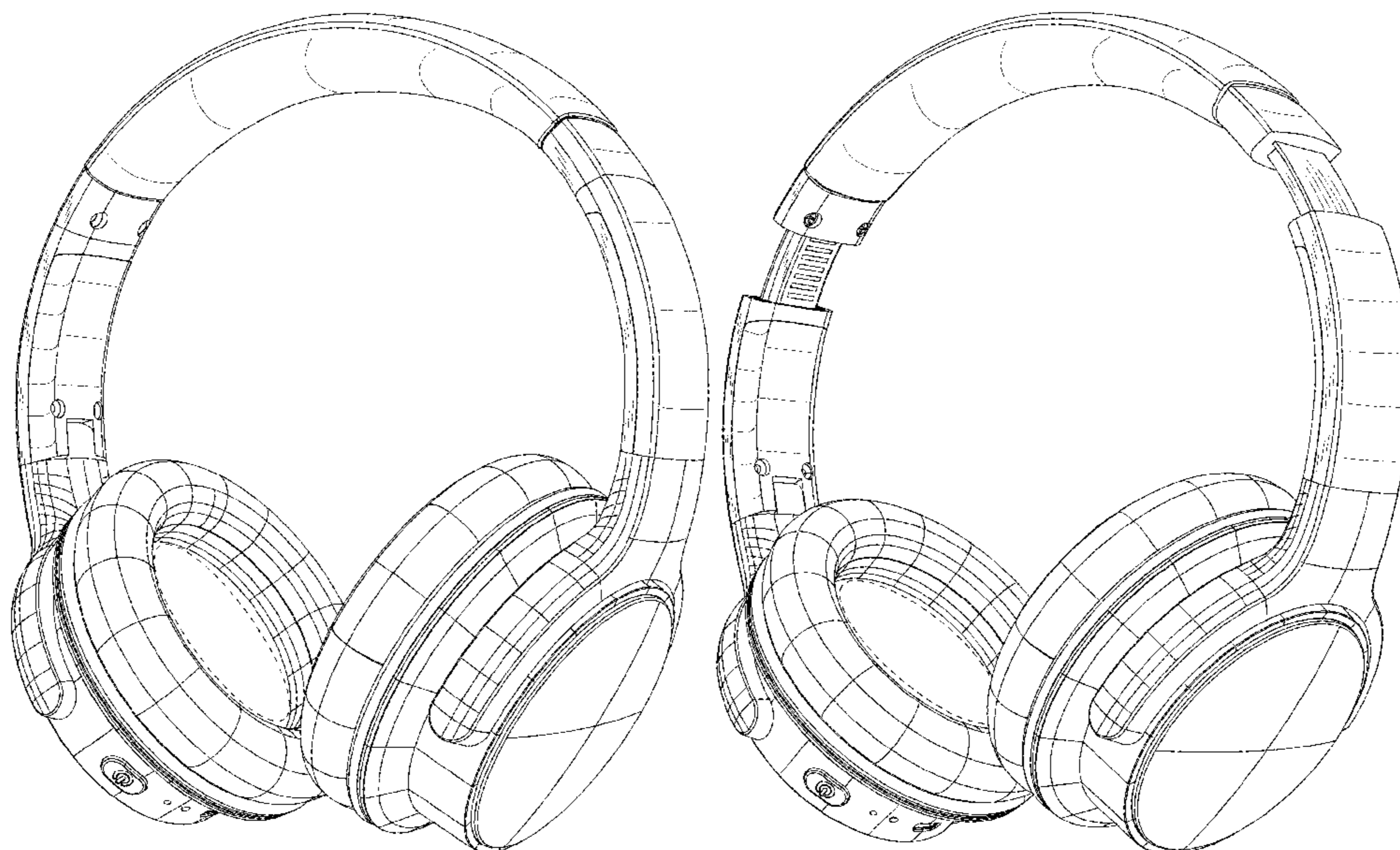
(57) **CLAIM**

The ornamental design for headphones, as shown and described.

DESCRIPTION

FIG. 1 is a perspective front-view of a headphones embodiment in a contracted position;
 FIG. 2 is a perspective front-view of the headphones in an expanded position;
 FIG. 3 is a front view of the headphones;
 FIG. 4 is a back view of the headphones;
 FIG. 5 is a top view of the headphones;
 FIG. 6 is a bottom view of the headphones;
 FIG. 7 is a side elevational view of the headphones; and,
 FIG. 8 is an opposite side view of the headphones.

1 Claim, 6 Drawing Sheets



(56)

References Cited

U.S. PATENT DOCUMENTS

D652,405 S * 1/2012 Lee D14/205
 D657,346 S * 4/2012 Park D14/205
 D662,080 S * 6/2012 Carr D14/205
 D663,716 S * 7/2012 Hardi D14/205
 D665,775 S * 8/2012 Katsumata D14/205
 D671,914 S * 12/2012 Lee D14/205
 D673,136 S * 12/2012 Kelly D14/205
 D677,242 S * 3/2013 Lee D14/205
 D683,329 S * 5/2013 Hagelin D14/205
 D684,559 S * 6/2013 Groset D14/205
 D691,579 S * 10/2013 Lee D14/205
 D706,240 S * 6/2014 Szymanski H04R 1/1066
 D706,241 S * 6/2014 Szymanski H04R 1/1066
 D712,872 S * 9/2014 Yuen D14/205
 D715,255 S * 10/2014 Nunez D14/205
 D716,255 S * 10/2014 Cho D14/205
 D719,136 S * 12/2014 Schaal D14/205
 D721,052 S * 1/2015 Carr D14/205
 D722,589 S * 2/2015 Lu D14/205
 D722,998 S * 2/2015 Sancho D14/205
 D729,194 S * 5/2015 Boeckel D14/205
 D729,196 S * 5/2015 Liu D14/205
 D734,297 S * 7/2015 Sasaki D14/205

D741,286 S * 10/2015 Brennwald D14/205
 D741,290 S * 10/2015 Schaal D14/205
 9,161,117 B2 * 10/2015 Blonder H04R 1/1066
 D750,041 S * 2/2016 Birger D14/205
 D752,017 S * 3/2016 Daniel D14/205
 D757,680 S * 5/2016 Kelly D14/205
 D758,990 S * 6/2016 Jiang D14/205
 D761,759 S * 7/2016 He D14/204
 D775,104 S * 12/2016 Lee D14/205
 D780,713 S * 3/2017 Szymanski D14/205
 D800,691 S * 10/2017 Ando D14/205
 D811,364 S * 2/2018 Park D14/205
 D817,303 S * 5/2018 Tragatschnig D14/205
 D826,895 S * 8/2018 Sharp D14/205
 D828,326 S * 9/2018 Ye D14/205
 D830,334 S * 10/2018 Carr D14/205
 D836,084 S * 12/2018 Xie D14/205
 D837,763 S * 1/2019 Suzuki D14/205
 D843,345 S * 3/2019 Brunner D14/205
 D865,706 S * 11/2019 Li D14/205
 D868,728 S * 12/2019 Zaihui D14/205
 D879,065 S * 3/2020 Chan D14/205
 2004/0216946 A1 * 11/2004 Lenhard-Backhaus
 H04R 1/1066
 181/129
 2010/0310093 A1 * 12/2010 Semcken H04R 1/1058
 381/104

* cited by examiner

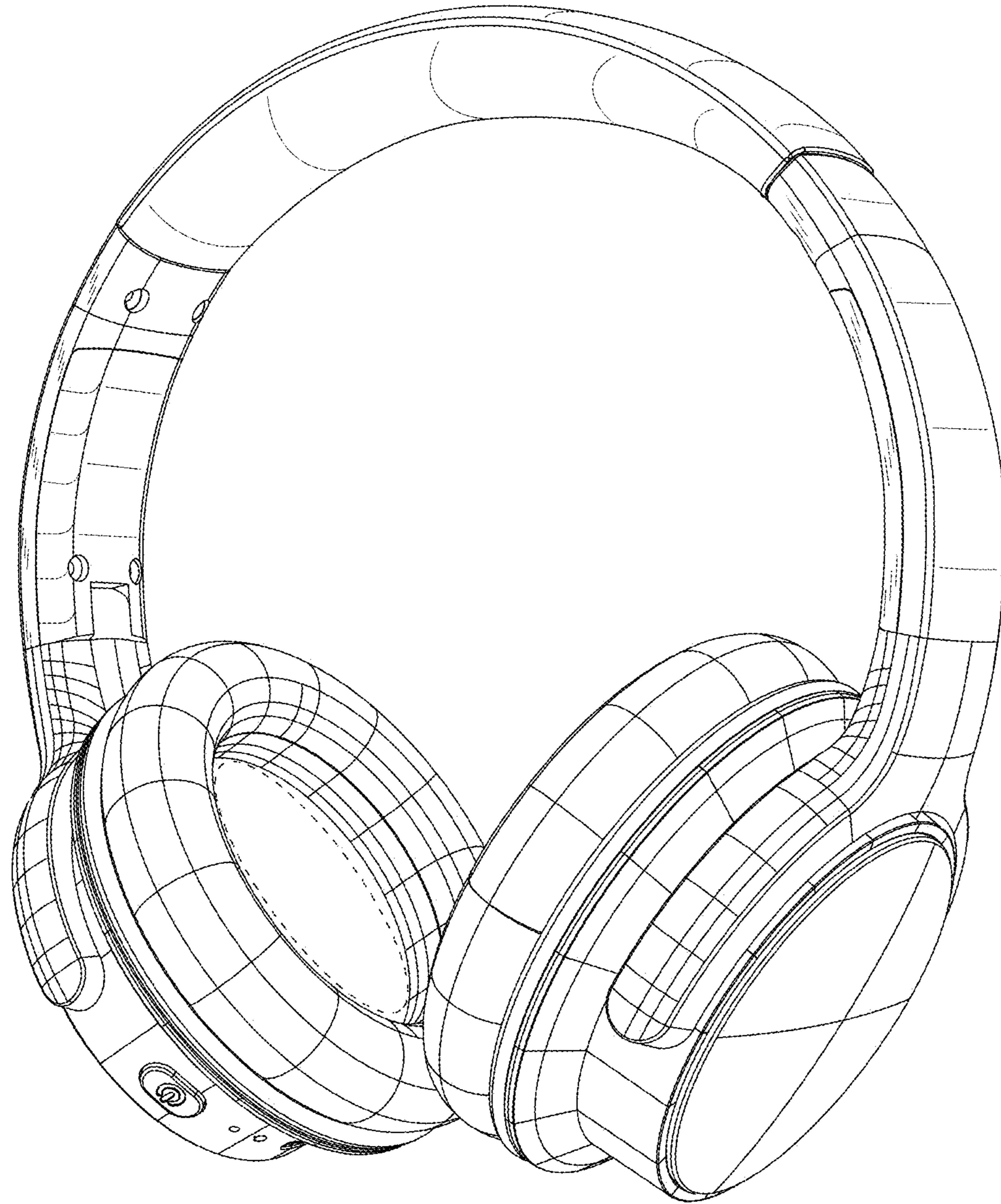


FIG. 1

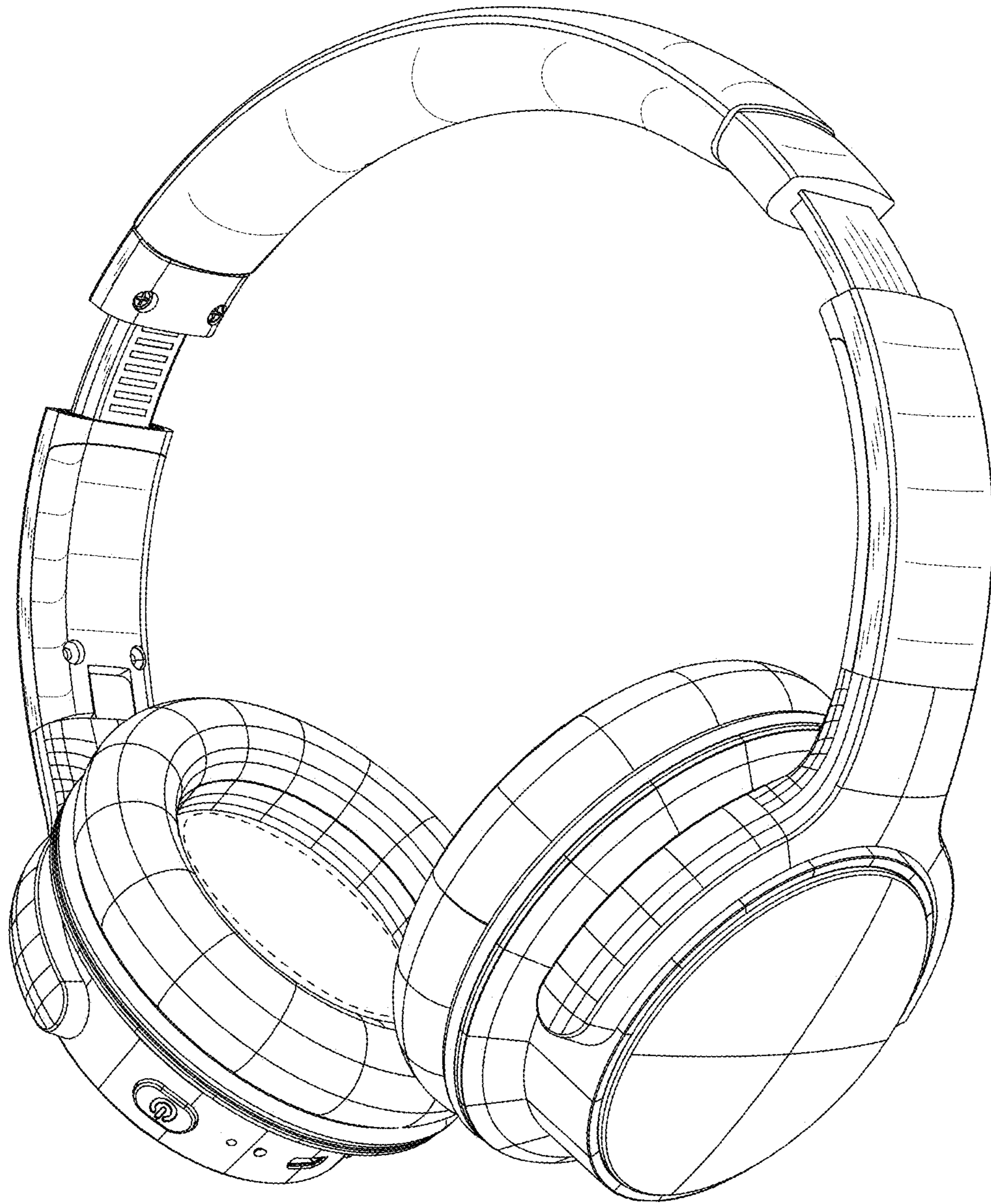


FIG. 2

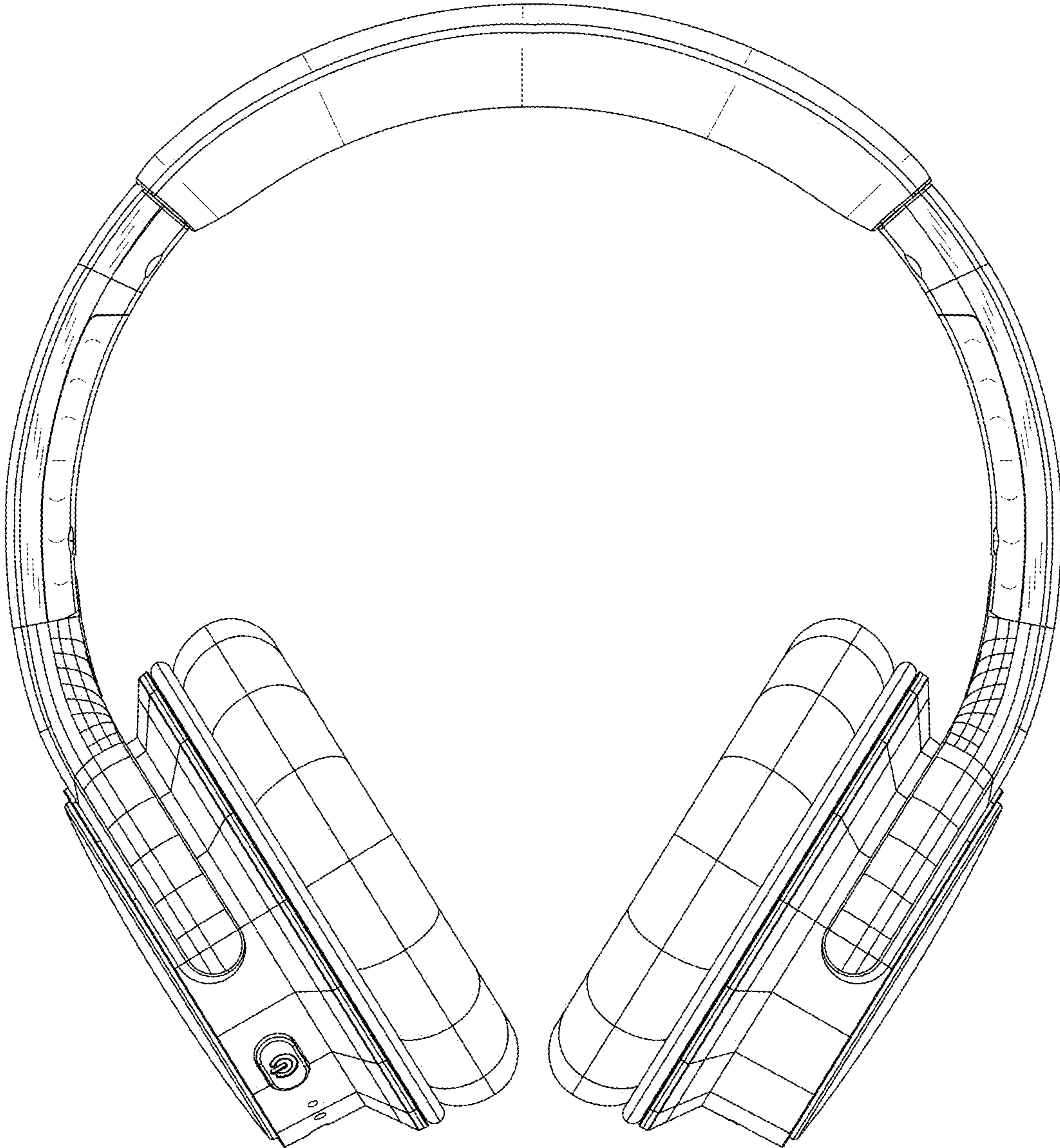


FIG. 3

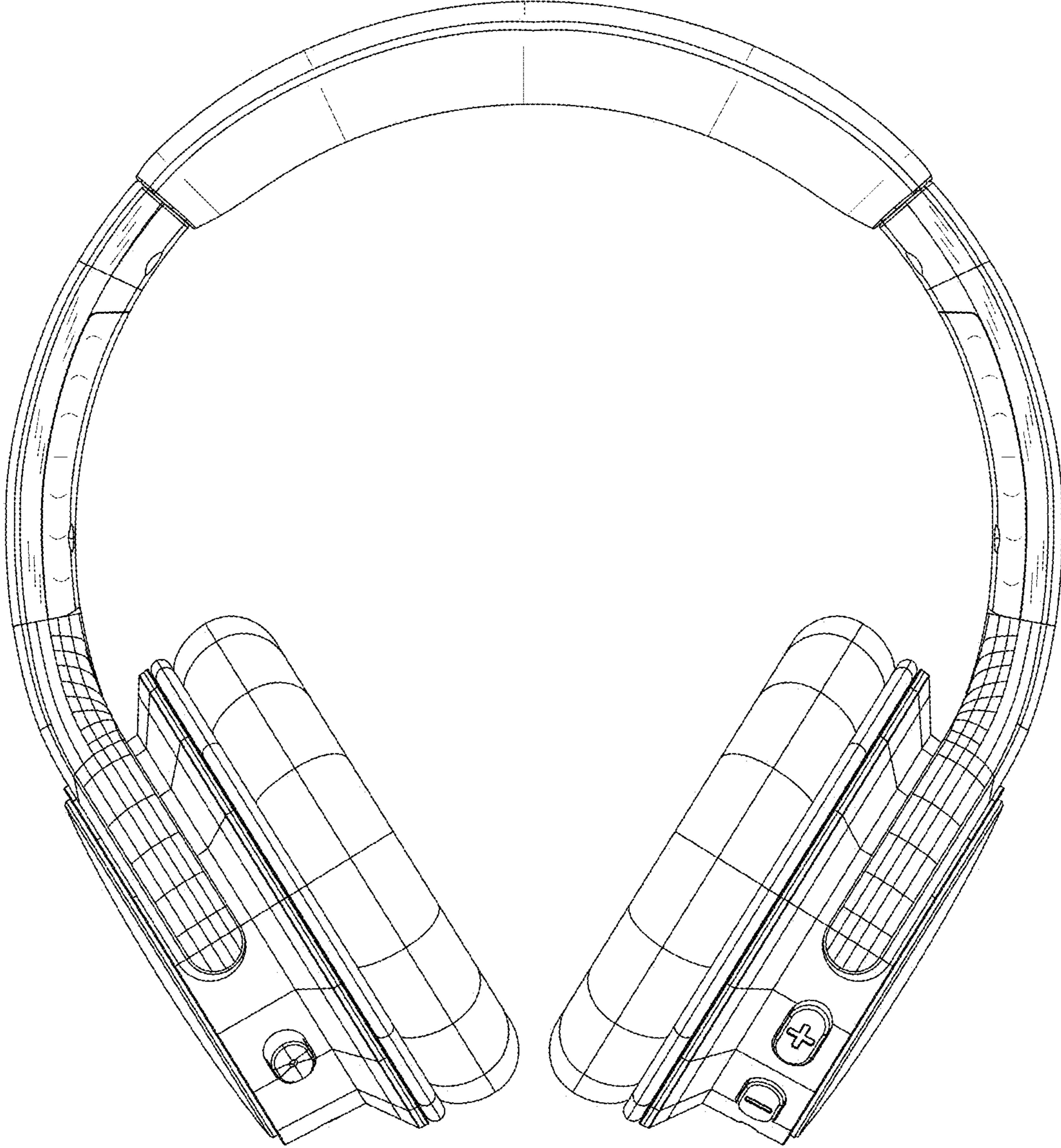


FIG. 4

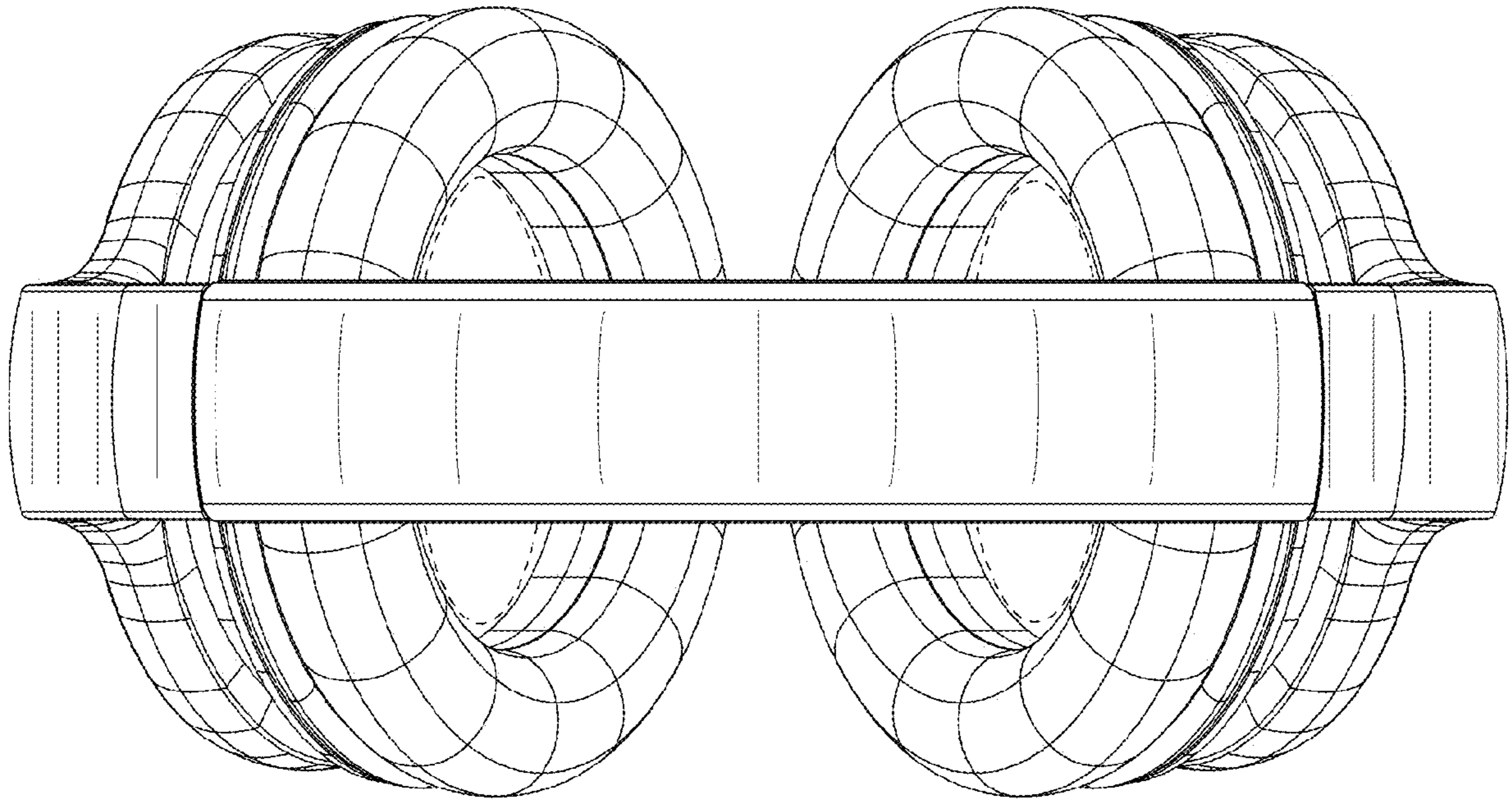


FIG. 5

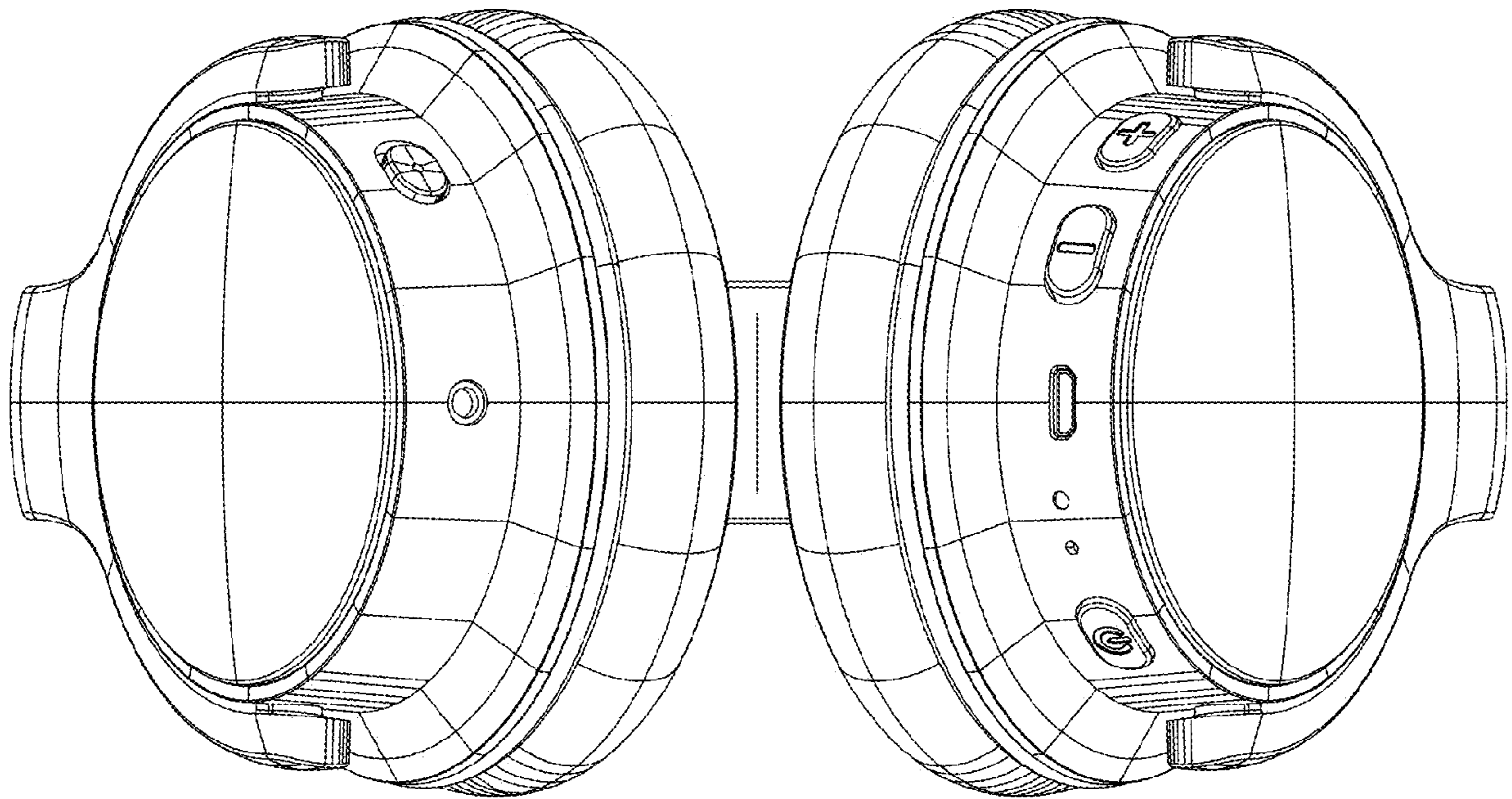


FIG. 6

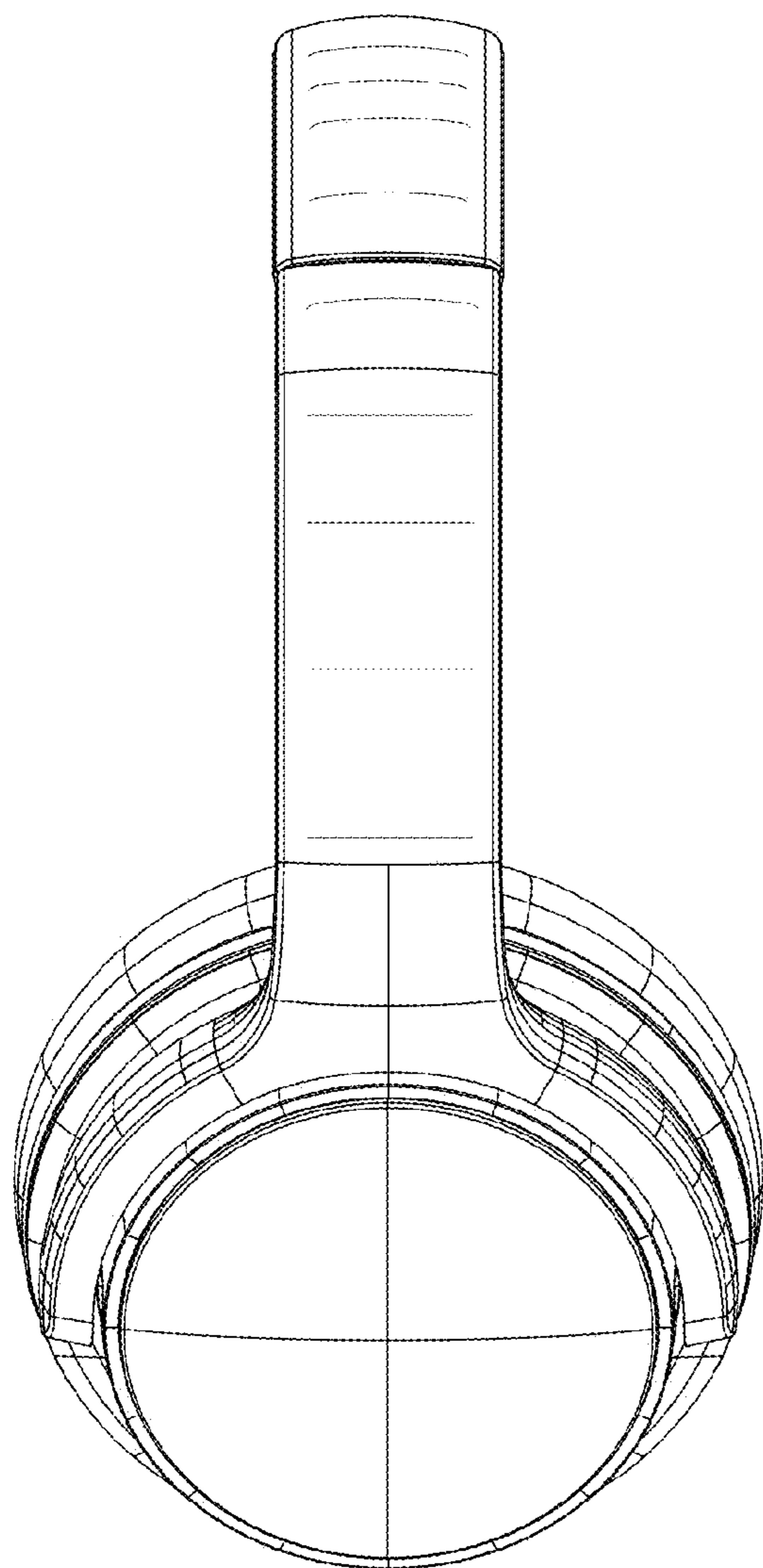


FIG. 7

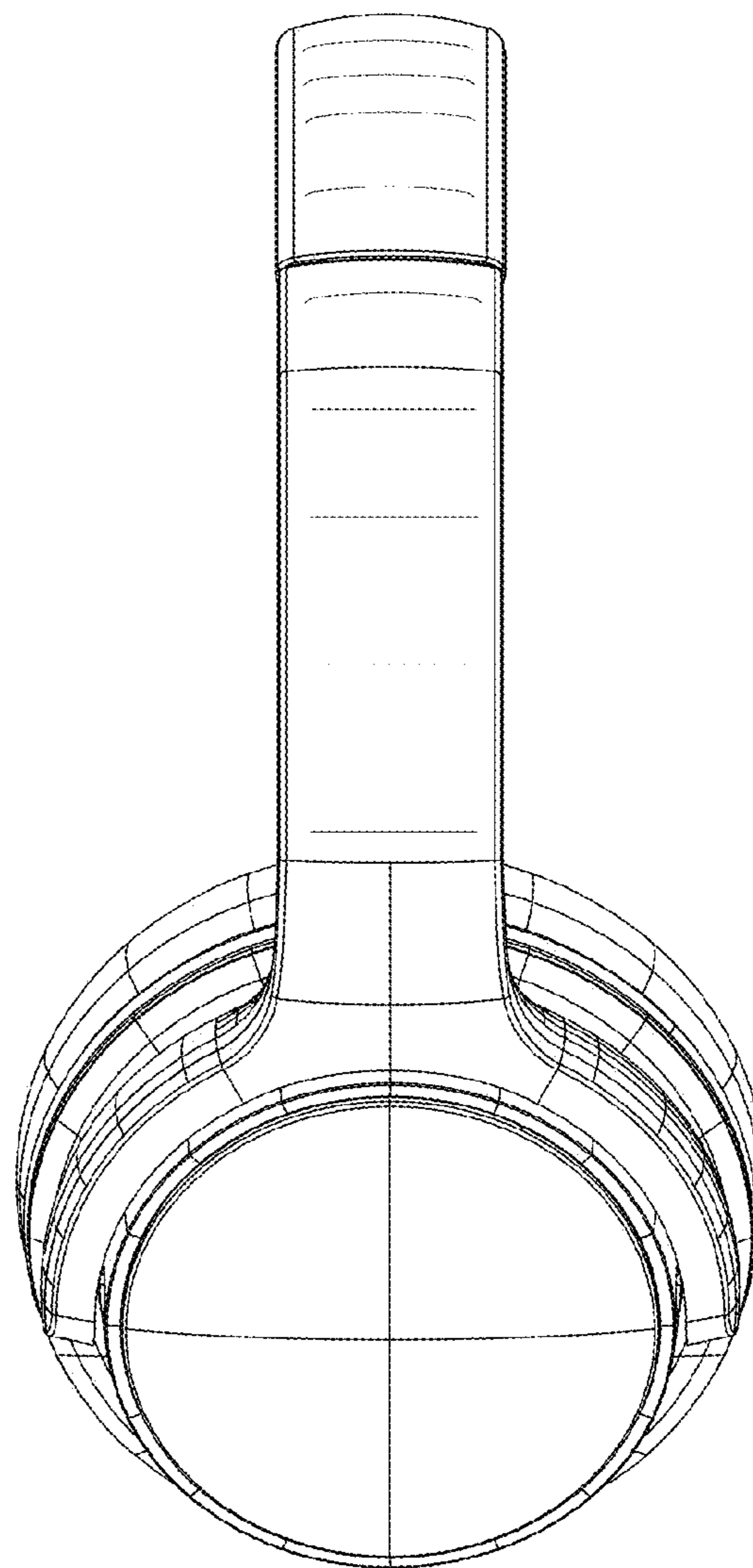


FIG. 8