



US00D892076S

(12) **United States Design Patent** (10) **Patent No.:** **US D892,076 S**
Wu (45) **Date of Patent:** **** Aug. 4, 2020**

(54) **WIRELESS LOUDSPEAKER**
(71) Applicant: **Weiquan Wu**, Guangdong (CN)
(72) Inventor: **Weiquan Wu**, Guangdong (CN)
(**) Term: **15 Years**

D626,939 S * 11/2010 Chen D14/216
D642,157 S * 7/2011 Holzer D14/209.1
D696,298 S * 12/2013 Britt, Jr. D14/496
D756,326 S * 5/2016 Holzer D14/171
D781,274 S * 3/2017 Kim D14/242
D789,906 S * 6/2017 Zhang D14/209.1

* cited by examiner

(21) Appl. No.: **29/658,579**
(22) Filed: **Aug. 1, 2018**

Primary Examiner — Janice Patyk

(30) **Foreign Application Priority Data**

Feb. 1, 2018 (CN) 2018 3 0049252

(51) **LOC (12) Cl.** **14-01**

(52) **U.S. Cl.**
USPC **D14/204**

(58) **Field of Classification Search**
USPC D14/188, 192, 203.1–203.8, 204,
D14/210–213, 215, 216, 348; 181/143,
181/144, 148, 153, 157, 198, 199;
369/6–12; 381/300–303, 361–364, 366,
381/386–388

CPC H04R 1/02; H04R 1/021; H04R 1/025;
H04R 1/026; H04R 5/00; H04R 9/06;
H04R 19/013; H04R 2400/00

See application file for complete search history.

(56) **References Cited**

U.S. PATENT DOCUMENTS

D510,926 S * 10/2005 Jerome D14/168
D514,548 S * 2/2006 Chan D14/216
D525,880 S * 8/2006 Okamura D10/15
D606,515 S * 12/2009 Ludlum D14/207
D615,878 S * 5/2010 Berliat D10/22

(57) **CLAIM**

The ornamental design for a wireless loudspeaker, as shown and described.

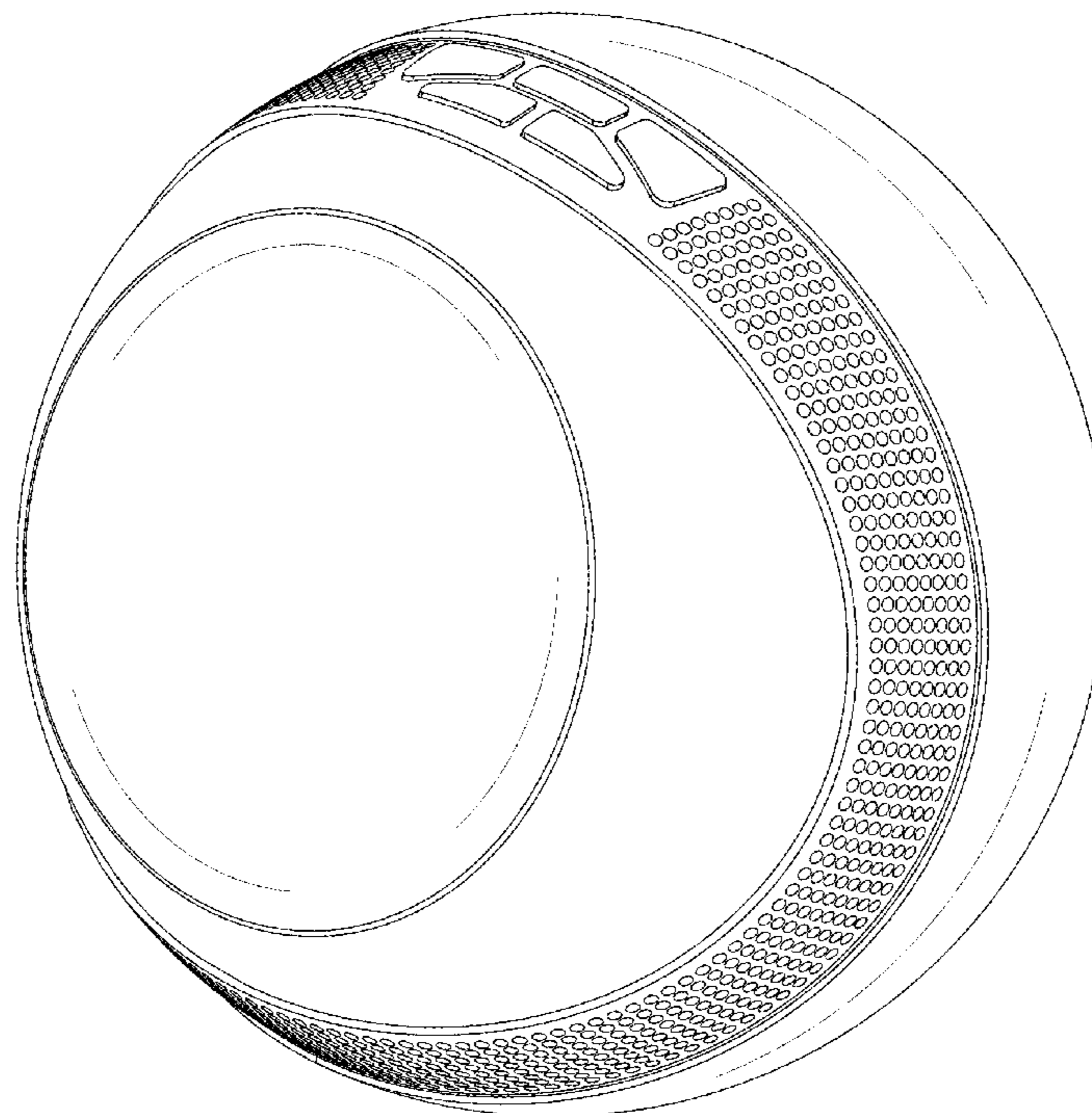
DESCRIPTION

FIG. 1 is a front elevational view of a wireless loudspeaker showing my new design;
FIG. 2 is a rear elevational view thereof;
FIG. 3 is a left side view thereof;
FIG. 4 is a right side view thereof;
FIG. 5 is a top plan view thereof;
FIG. 6 is a bottom plan view thereof;
FIG. 7 is a top, front and right side perspective view thereof;
FIG. 8 is a top, rear and left side perspective view thereof;
FIG. 9 is a partially enlarged view thereof, taken from FIG. 1; and,
FIG. 10 is a partially enlarged view thereof, taken from FIG. 5.

The broken lines in the figures illustrate the portions of the design that form no part of the claimed design.

The dot-dash broken lines of FIGS. 1, 5, 9, and 10 are included to show partially enlarged views only and form no part of the claimed design.

1 Claim, 10 Drawing Sheets



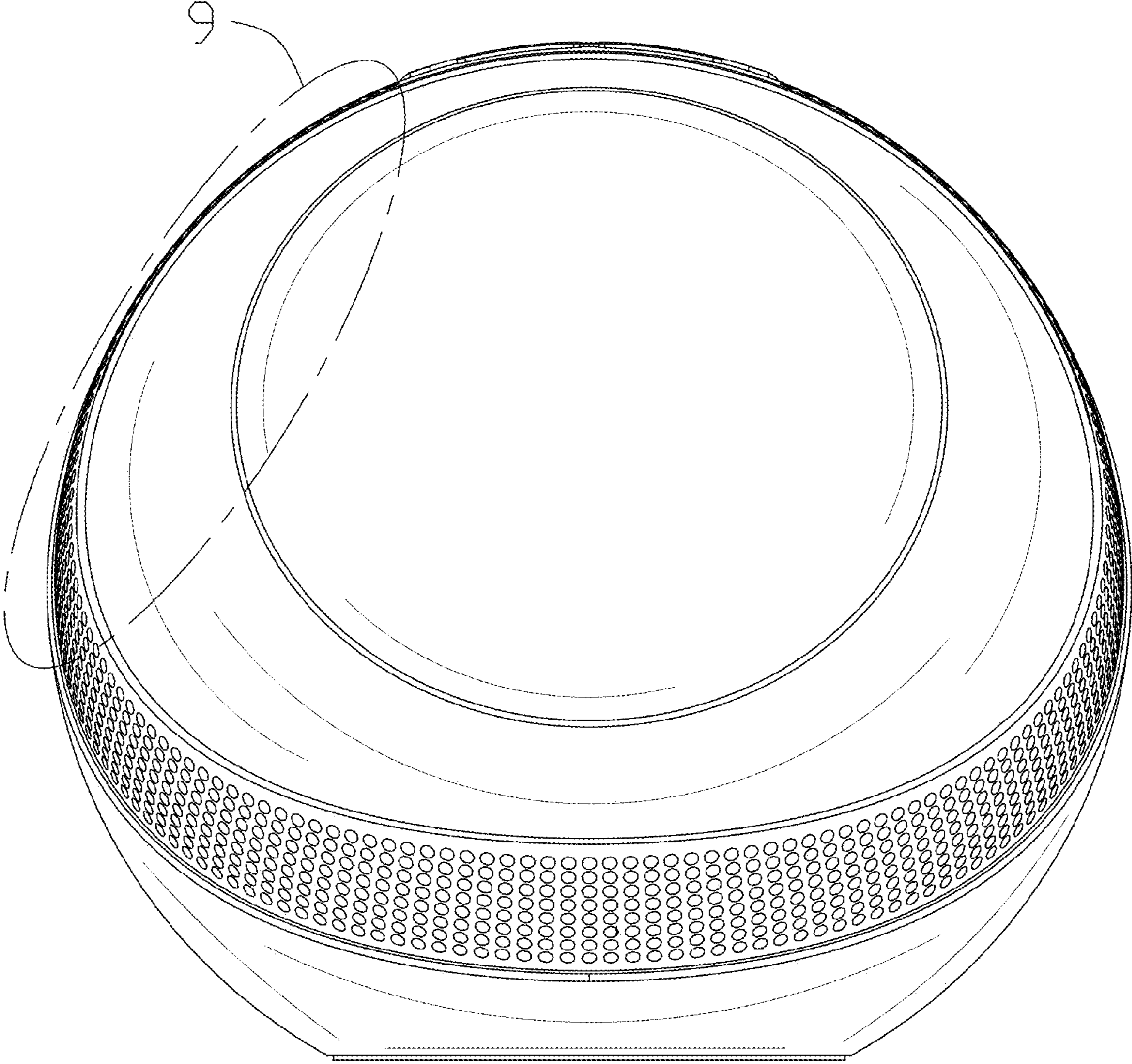


FIG. 1

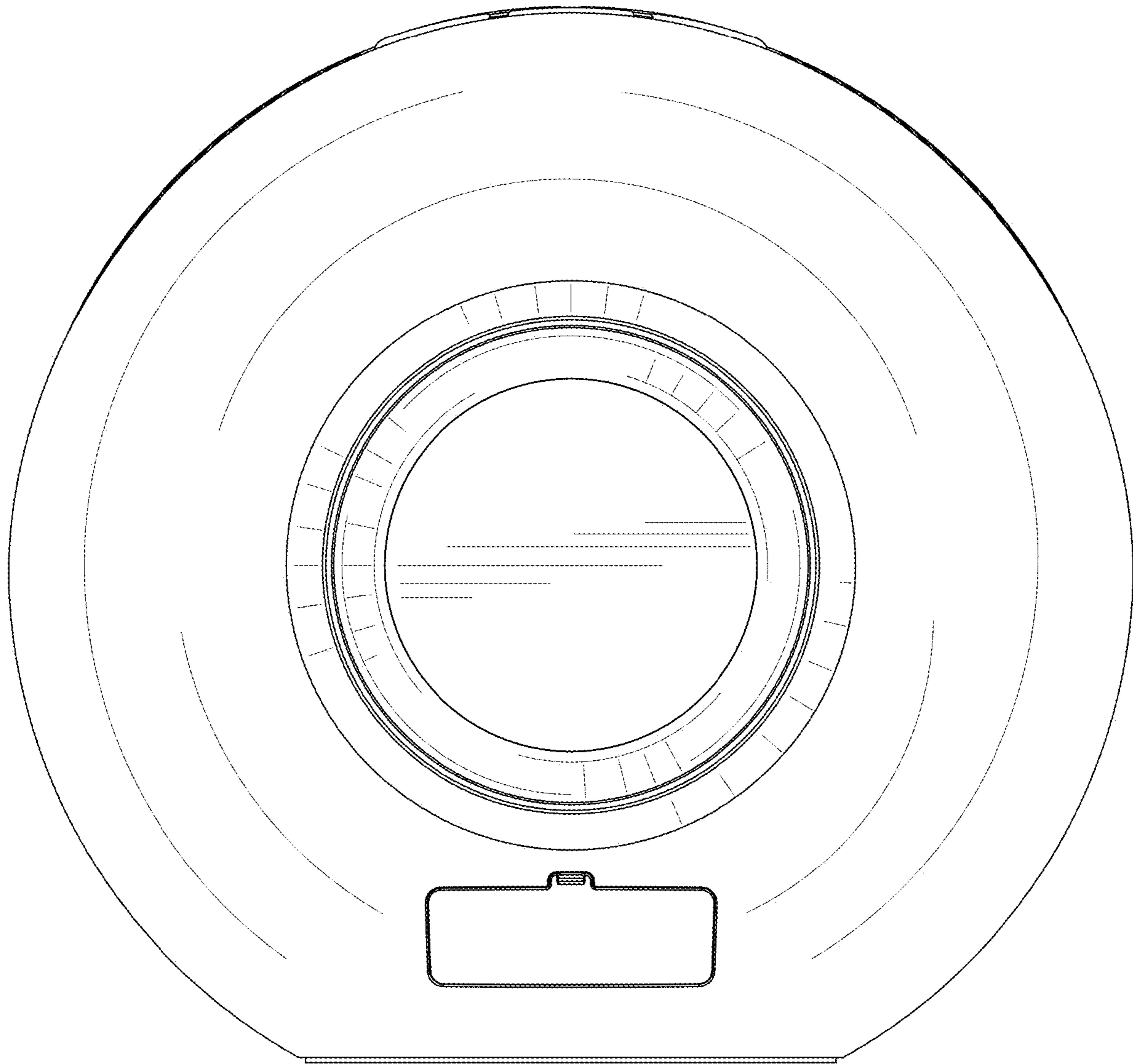


FIG. 2

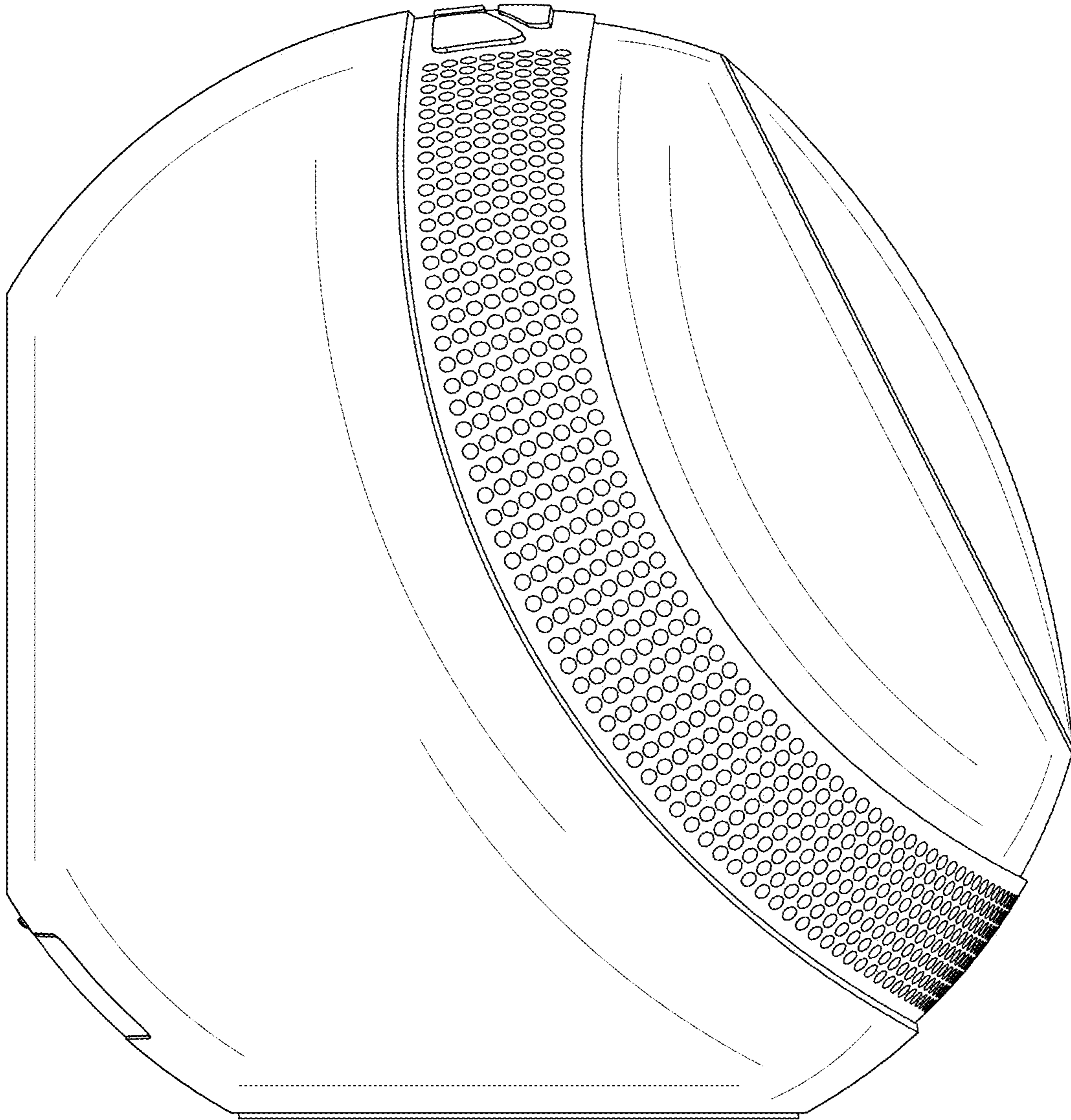


FIG. 3

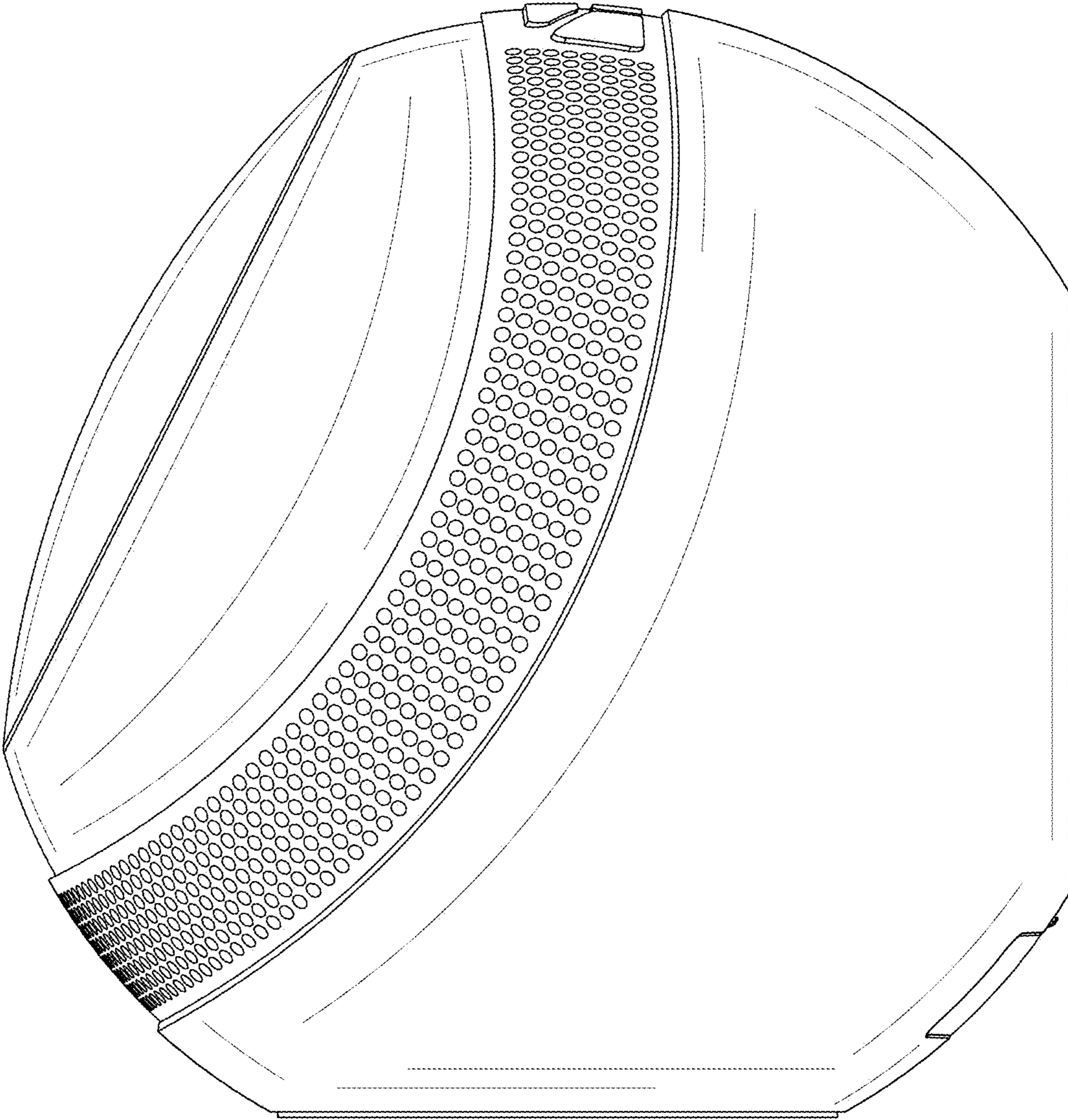


FIG. 4

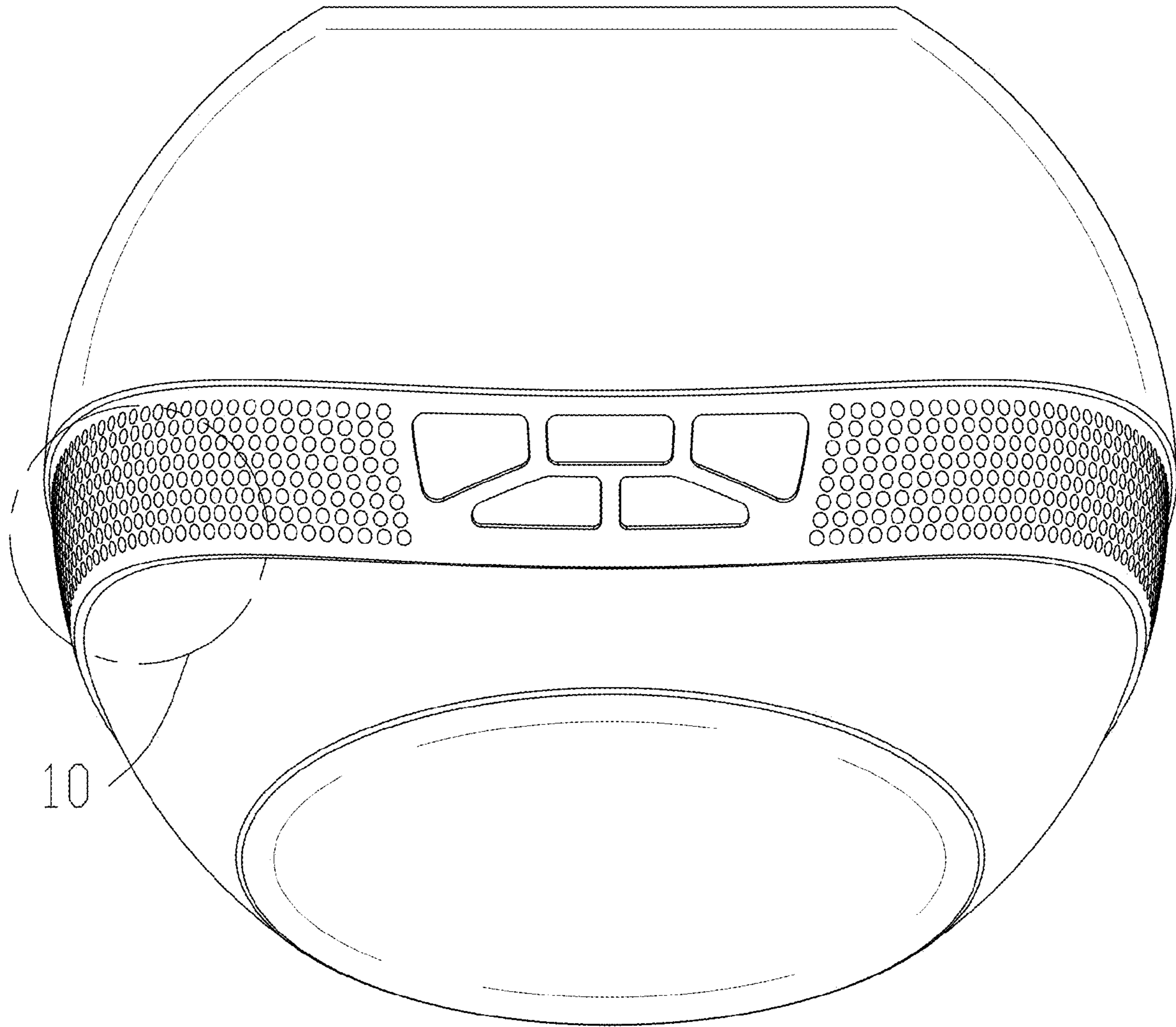


FIG. 5

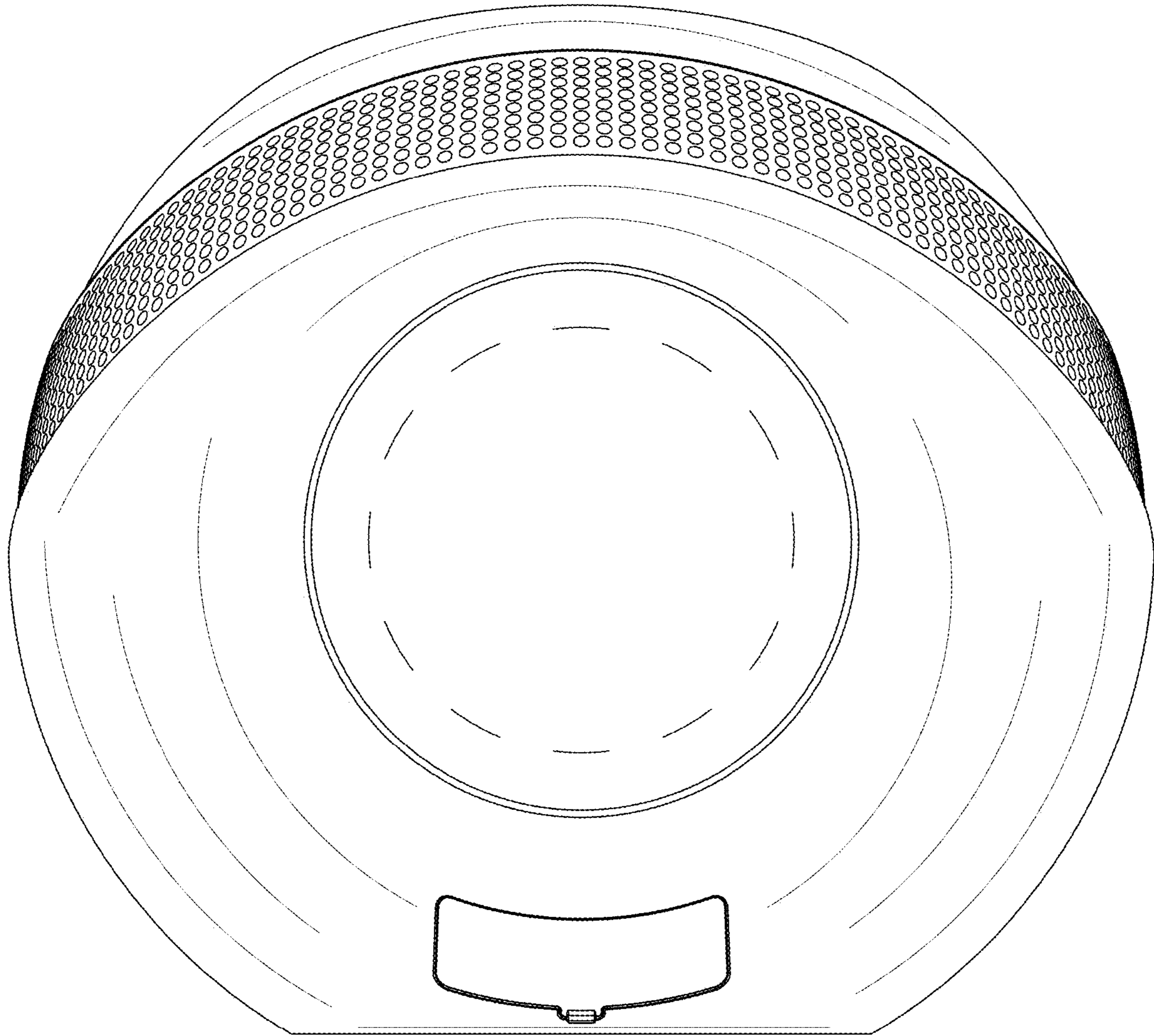


FIG. 6

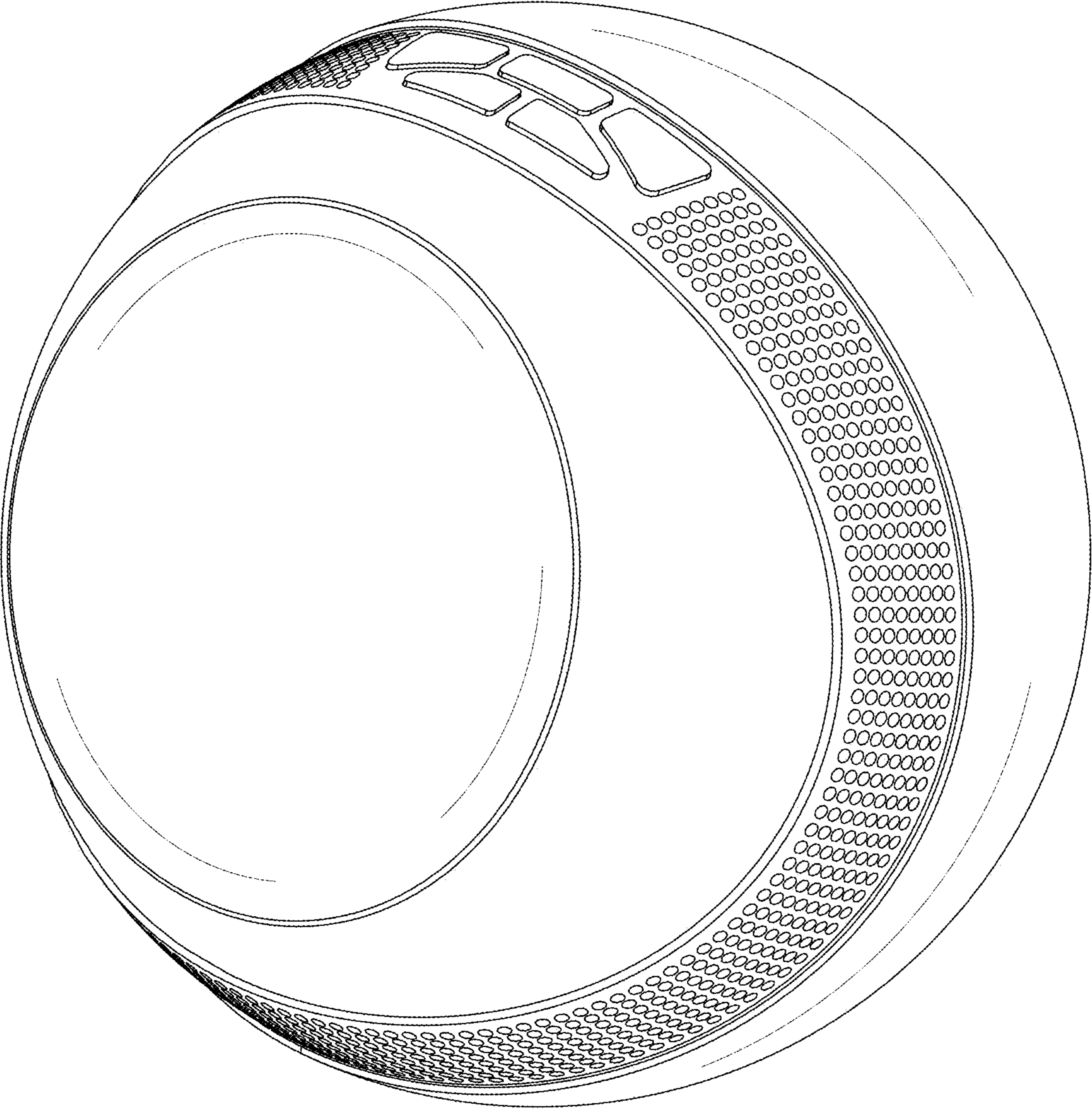


FIG. 7

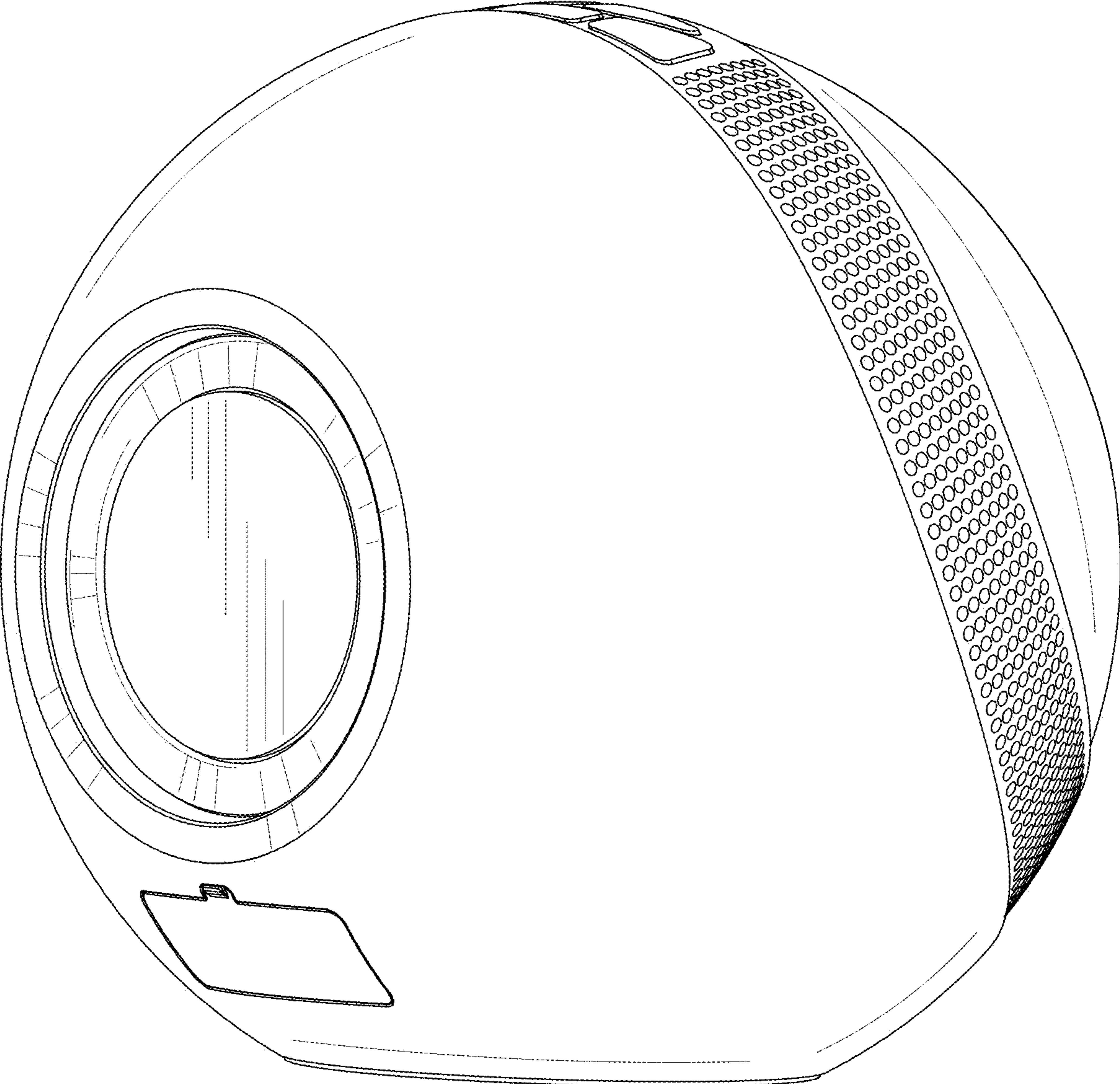


FIG. 8

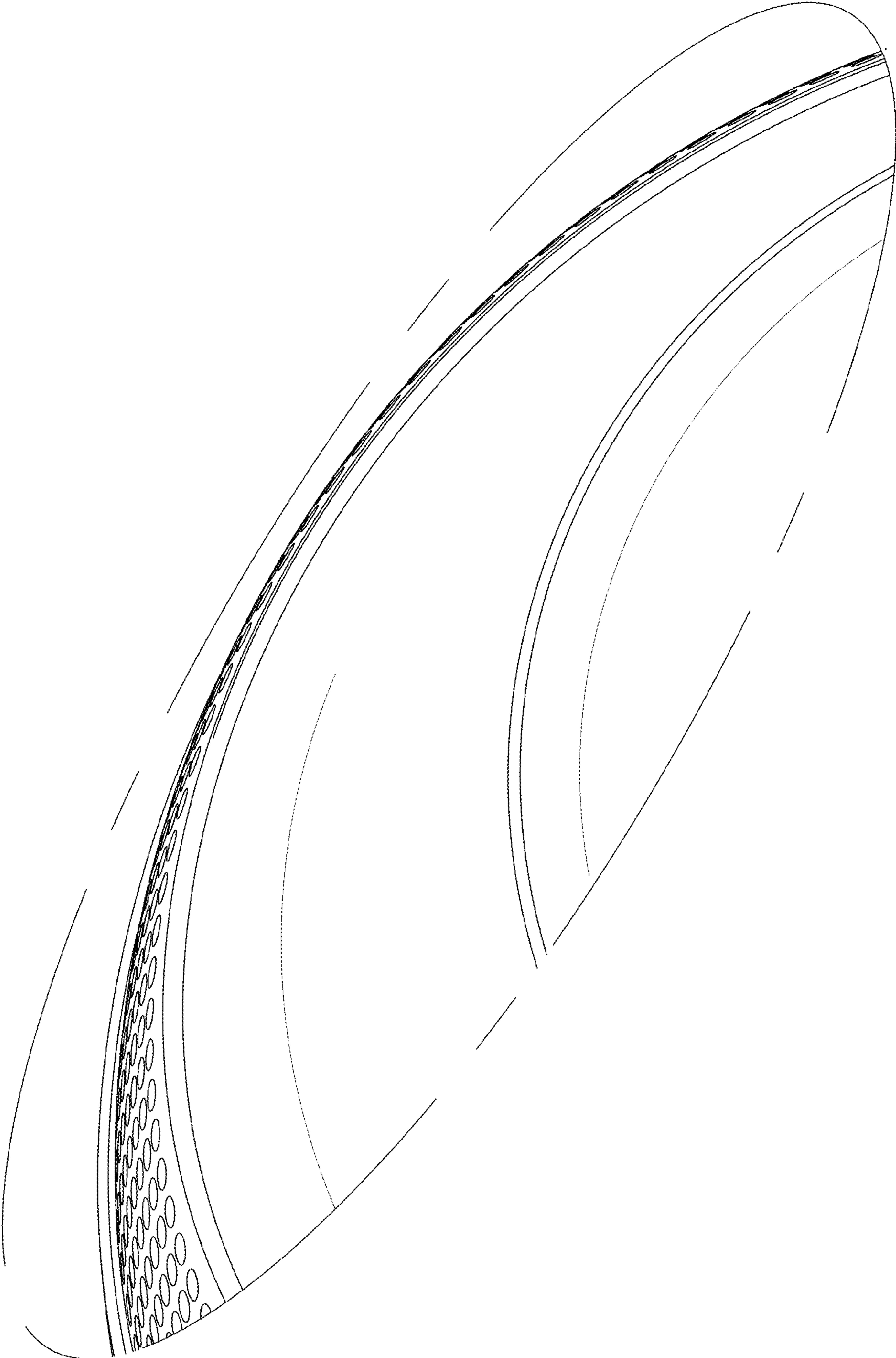


FIG. 9

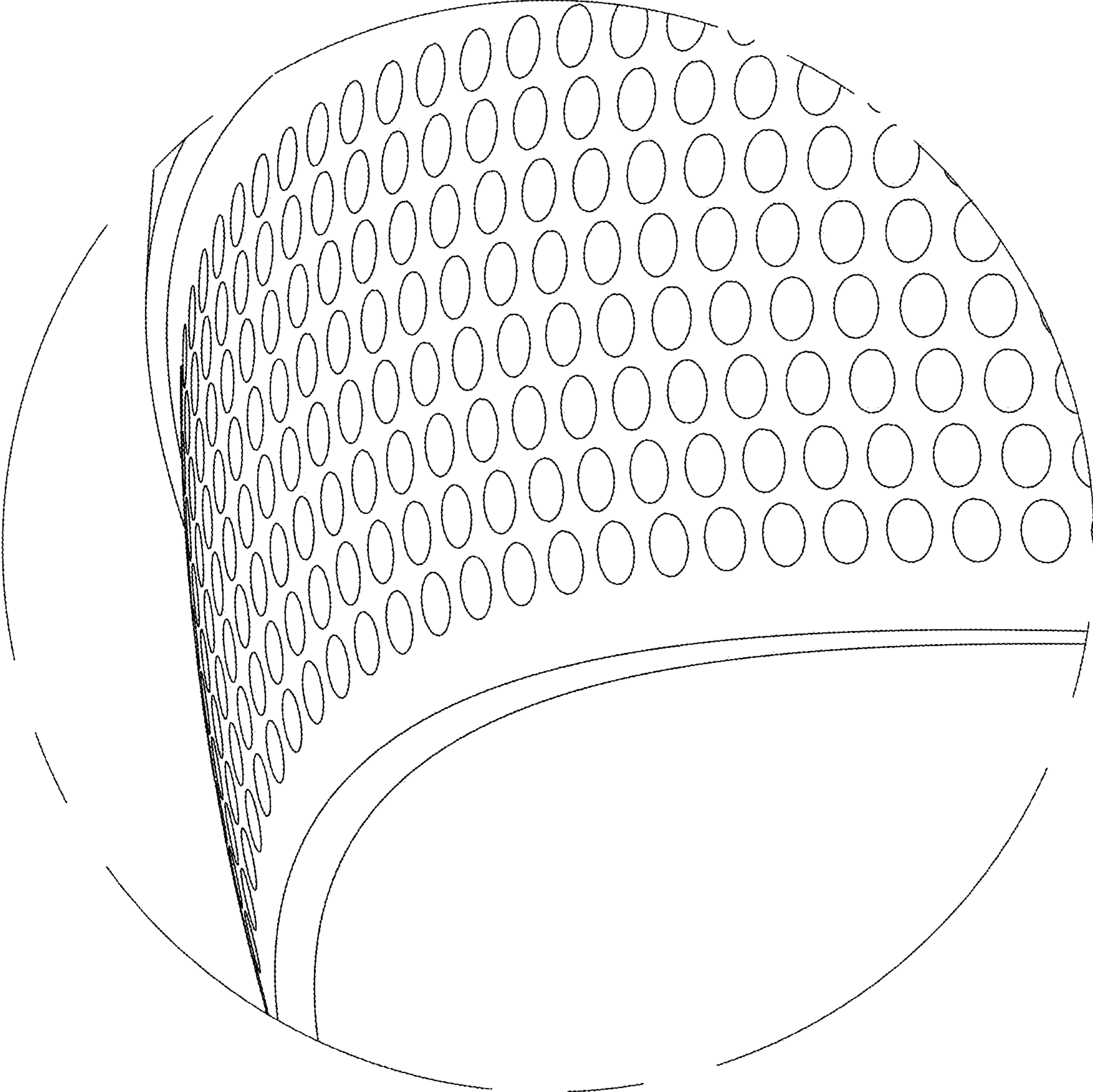


FIG. 10