



US00D892075S

(12) **United States Design Patent** (10) **Patent No.:** **US D892,075 S**
Lebrun (45) **Date of Patent:** **** Aug. 4, 2020**

(54) **AMPLIFIER**

2400/00; H04R 2400/07; H04R 2499/11;
H04R 2499/13; H04R 2499/15; H04S
3/00; H04S 7/30

(71) Applicant: **SIMAUDIO LTEE**, Boucherville,
Quebec (CA)

See application file for complete search history.

(72) Inventor: **Pierre-Luc Lebrun**, Montreal (CA)

(56) **References Cited**

(73) Assignee: **SIMAUDIO LTEE**, Boucherville,
Quebec (CA)

U.S. PATENT DOCUMENTS

(**) Term: **15 Years**

D231,537 S *	4/1974	Kimbell	D14/207
D237,742 S *	11/1975	Miyamoto	D14/168
D379,476 S *	5/1997	Tsui	D10/2
D409,194 S *	5/1999	Ridinger	D14/188
D446,209 S *	8/2001	Hickford	D14/357
D482,673 S *	11/2003	Shindo	D14/188
D500,752 S *	1/2005	Uehara	D14/188
D534,154 S *	12/2006	Shen	D14/188
D596,615 S *	7/2009	Wilson	D14/188
D615,960 S *	5/2010	Lum	D14/188
D727,870 S *	4/2015	Muramoto	D14/188
D826,206 S *	8/2018	Elmieh	D14/204
D844,006 S *	3/2019	Molnar	D14/434

(21) Appl. No.: **29/674,281**

(22) Filed: **Dec. 20, 2018**

(30) **Foreign Application Priority Data**

Jul. 6, 2018 (CA) 182297

(51) **LOC (12) Cl.** **14-03**

(52) **U.S. Cl.**
USPC **D14/188**

(58) **Field of Classification Search**
USPC D14/167, 168, 170-172, 187, 188,
D14/194-196, 204, 207, 209.1, 210-216,
D14/219, 221, 222, 224, 239, 496;
181/143, 144, 147, 148, 150, 153, 157,
181/198, 199; 381/300-303, 306, 332,
381/333, 336, 345, 361-364, 386-388;
369/6-12

CPC B60R 11/0217; G06F 1/1688; G10K 9/22;
G10K 11/004; H03F 1/327; H04M 1/03;
H04M 1/035; H04N 5/642; H04N
21/4852; H04R 1/02; H04R 1/06; H04R
1/021; H04R 1/025; H04R 1/026; H04R
1/028; H04R 1/105; H04R 1/323; H04R
1/403; H04R 1/2803; H04R 1/2834;
H04R 5/02; H04R 7/20; H04R 9/06;
H04R 9/025; H04R 2201/021; H04R

* cited by examiner

Primary Examiner — Katie Jane Stofko
(74) *Attorney, Agent, or Firm* — Brouillette Legal Inc;
Robert Brouillette

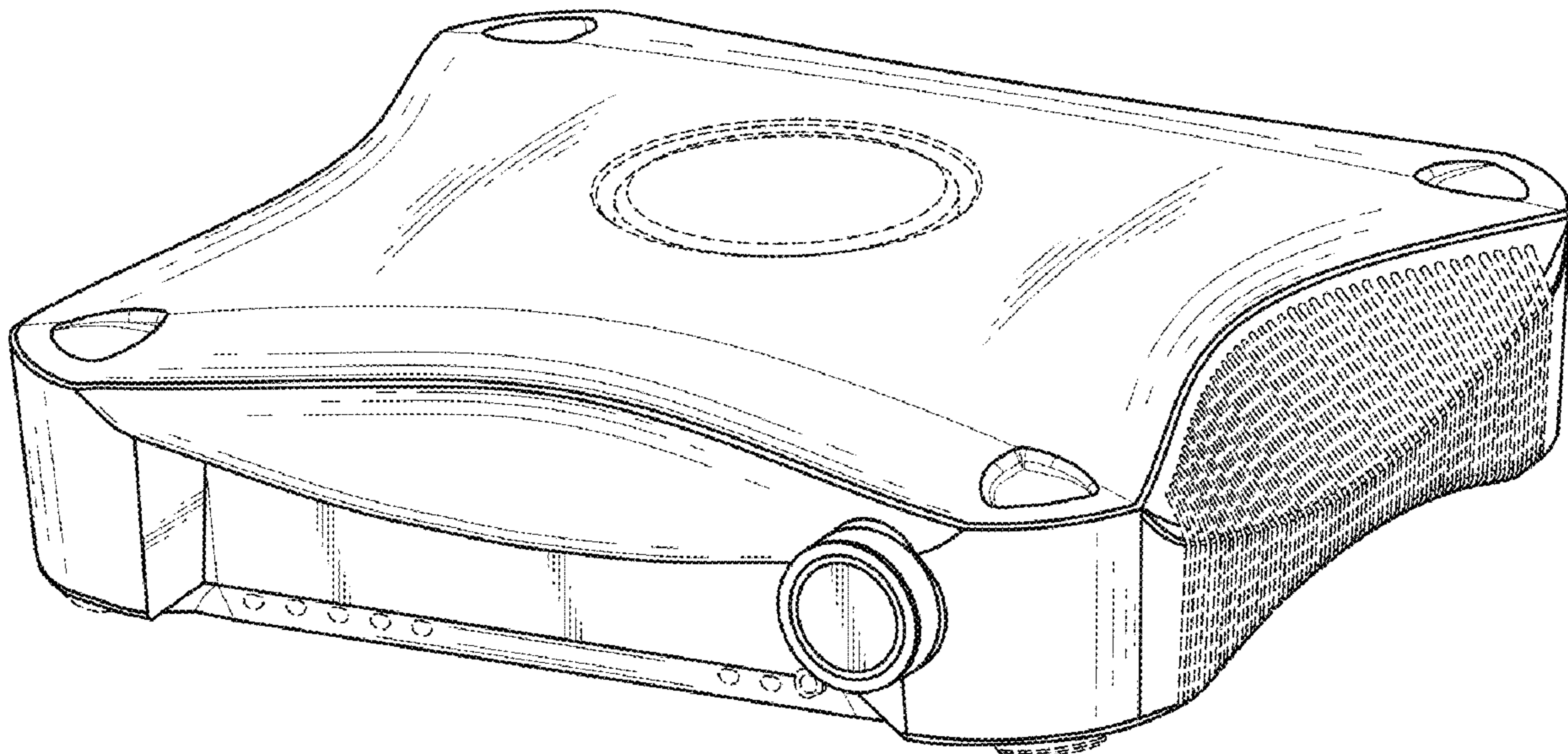
(57) **CLAIM**

The ornamental design for an amplifier, as shown.

DESCRIPTION

FIG. 1 is a front, top, right perspective view of the front side of an amplifier;
FIG. 2 is a front elevation view thereof;
FIG. 3 is a back elevation view thereof;
FIG. 4 is a right side elevation view thereof;
FIG. 5 is a left side elevation view thereof;
FIG. 6 is a top plan view thereof; and,
FIG. 7 is a bottom plan view thereof.
The broken lines shown on the drawings depict portions of amplifier that form no part of the claimed design.

1 Claim, 7 Drawing Sheets



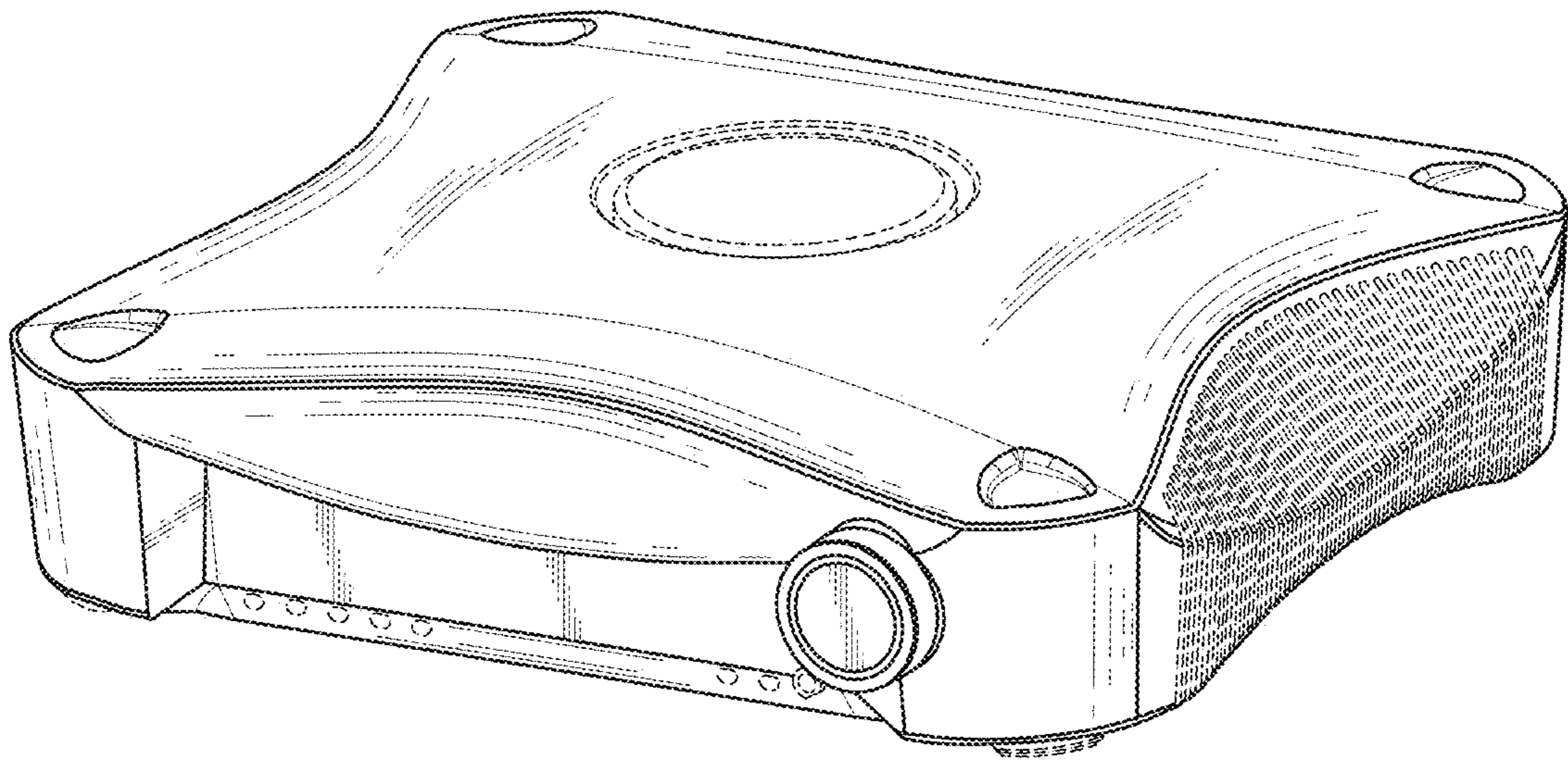


FIG. 1

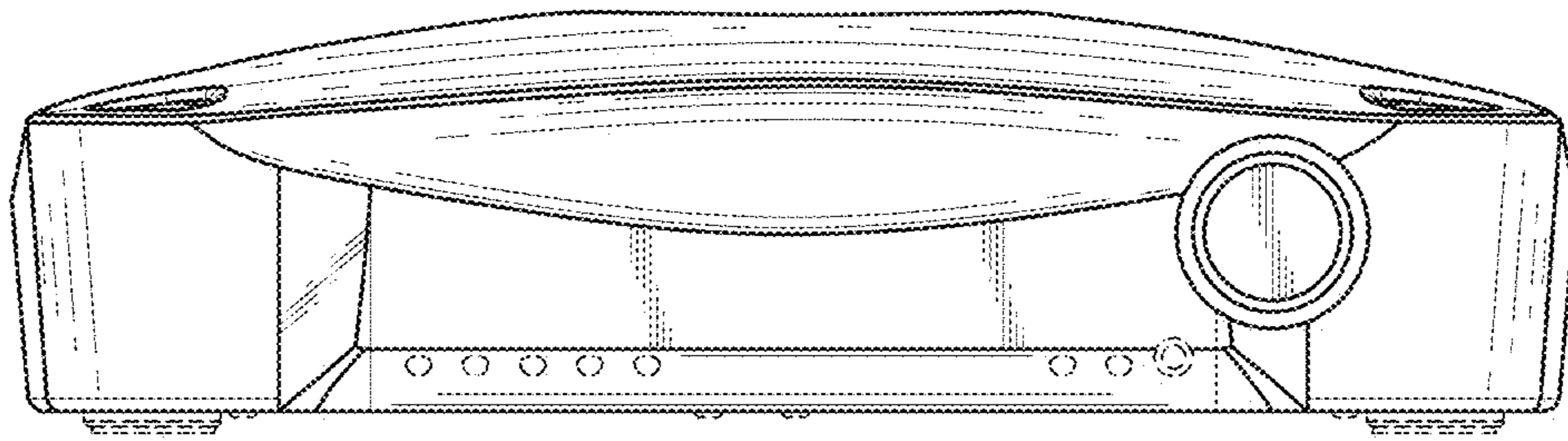


FIG. 2

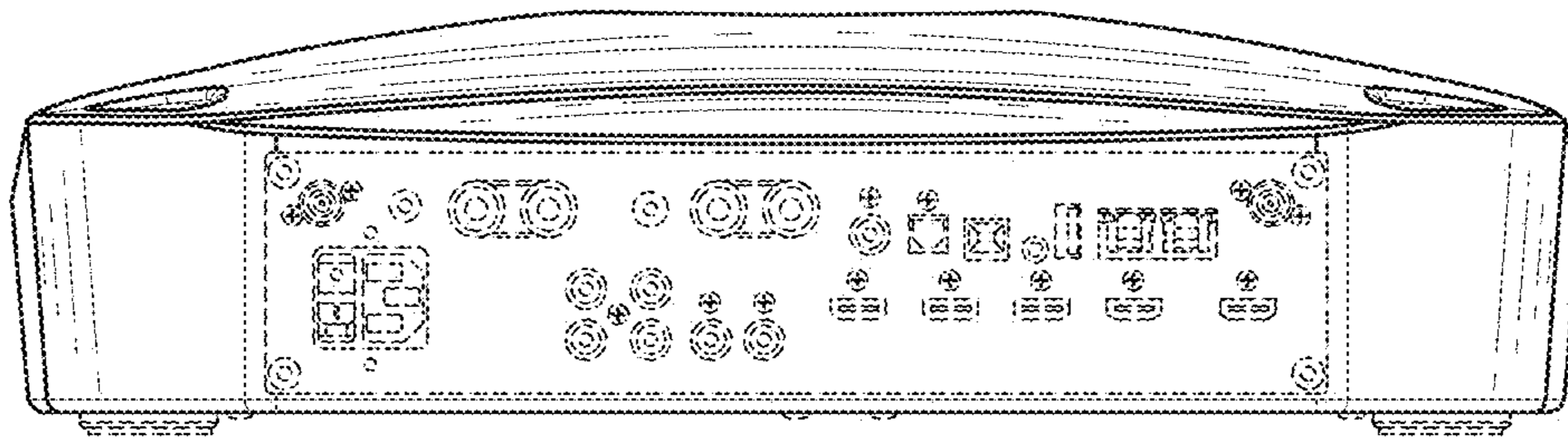


FIG. 3

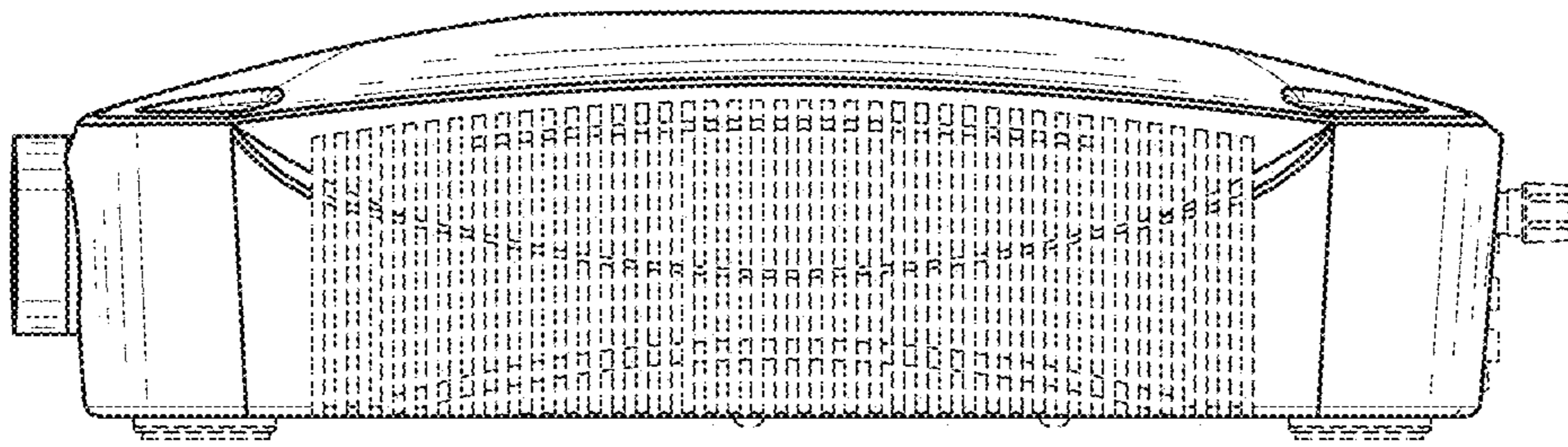


FIG. 4

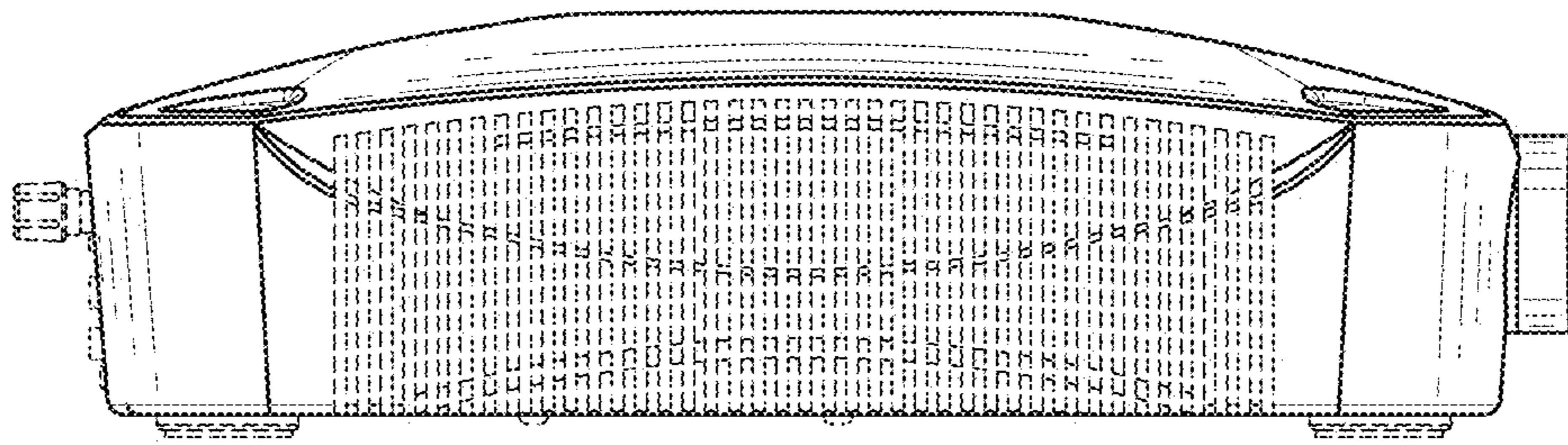


FIG. 5

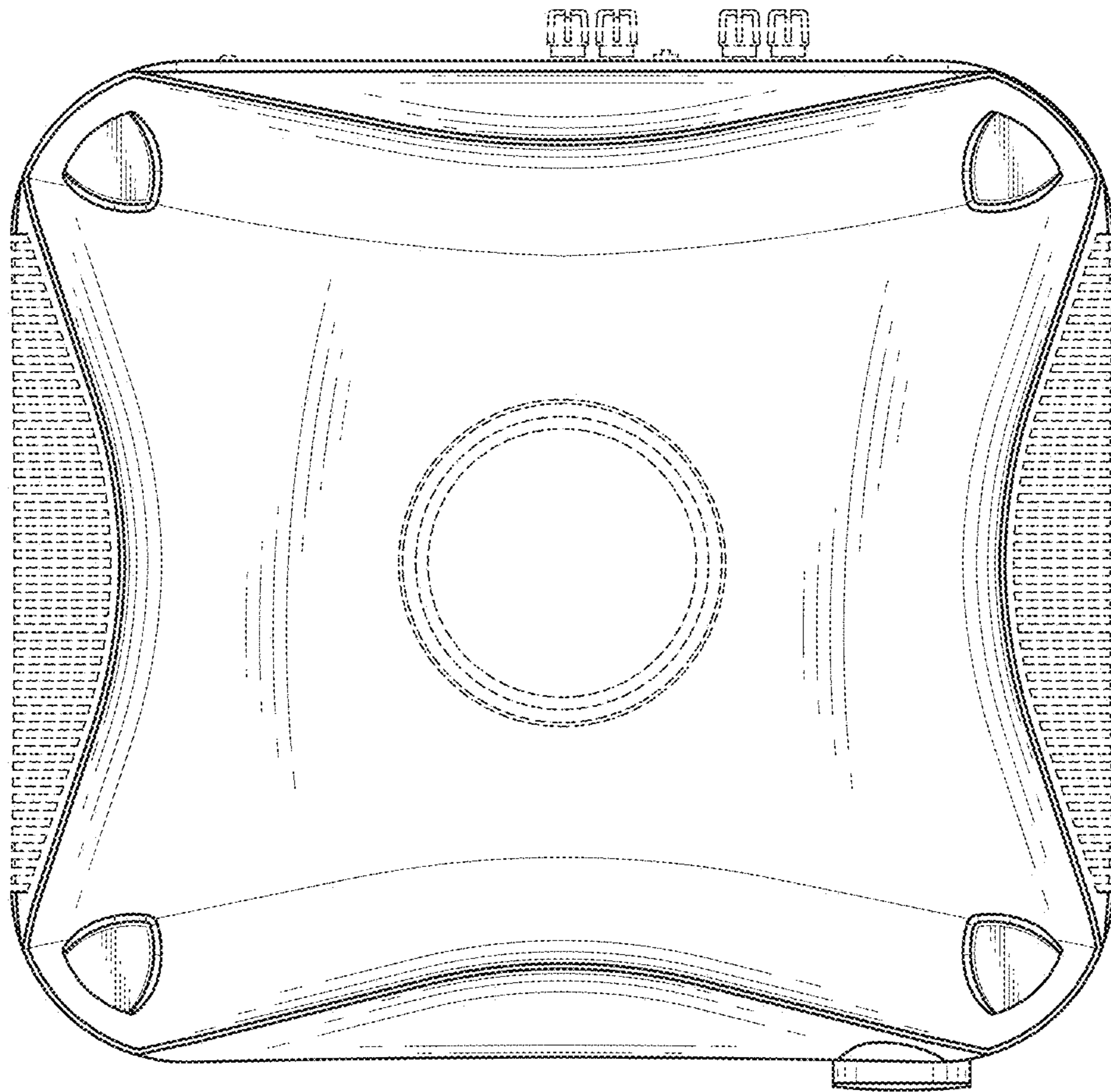


FIG. 6

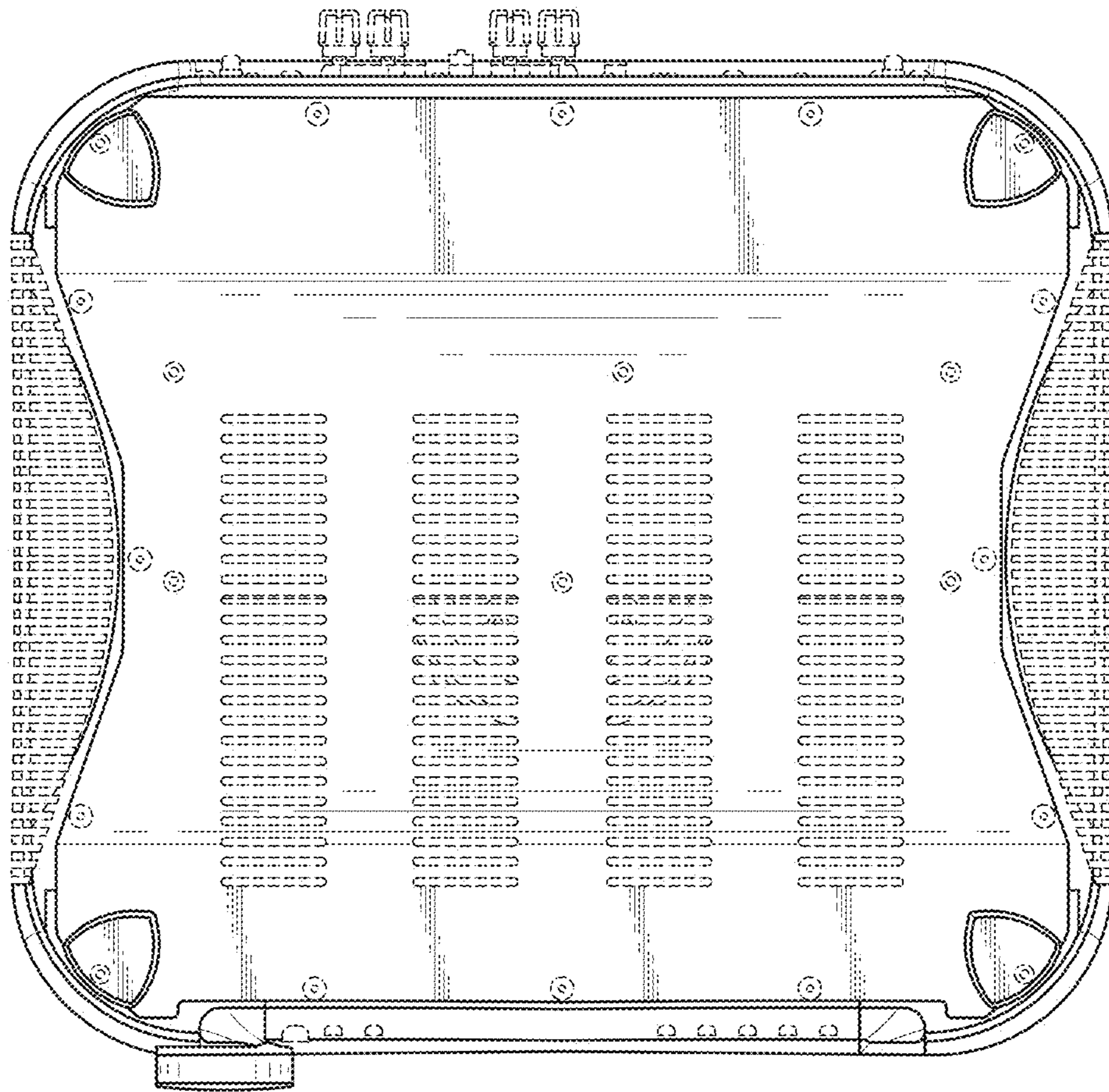


FIG. 7