



US00D892074S

(12) **United States Design Patent** (10) **Patent No.:** **US D892,074 S**
Mitsunaga (45) **Date of Patent:** **** Aug. 4, 2020**

(54) **AMPLIFIER FOR AUTOMOBILE**
(71) Applicant: **PIONEER CORPORATION**, Tokyo (JP)
(72) Inventor: **Naoki Mitsunaga**, Tokyo (JP)
(73) Assignee: **PIONEER CORPORATION**, Tokyo (JP)
(**) Term: **15 Years**
(21) Appl. No.: **29/667,045**
(22) Filed: **Oct. 18, 2018**
(30) **Foreign Application Priority Data**
May 18, 2018 (JP) 2018-010944
(51) **LOC (12) Cl.** **14-03**
(52) **U.S. Cl.**
USPC **D14/188**
(58) **Field of Classification Search**
USPC D14/167, 168, 170-172, 187, 188, D14/194-196, 204, 207, 209.1, 210-216, D14/219, 221, 222, 224, 239, 496; 181/143, 144, 147, 148, 150, 153, 157, 181/198, 199; 381/300-303, 306, 332, 381/333, 336, 345, 361-364, 386-388; 369/6-12
CPC B60R 11/0217; G06F 1/1688; G10K 9/22; G10K 11/004; H03F 1/327; H04M 1/03; H04M 1/035; H04N 5/642; H04N 21/4852; H04R 1/02; H04R 1/06; H04R 1/021; H04R 1/025; H04R 1/026; H04R 1/028; H04R 1/105; H04R 1/323; H04R 1/403; H04R 1/2803; H04R 1/2834; H04R 5/02; H04R 7/20; H04R 9/06; H04R 9/025; H04R 2201/021; H04R 2201/07; H04R 2400/00; H04R 2400/07; H04R 2499/11; H04R 2499/13; H04R 2499/15; H04S 3/00; H04S 7/30
See application file for complete search history.

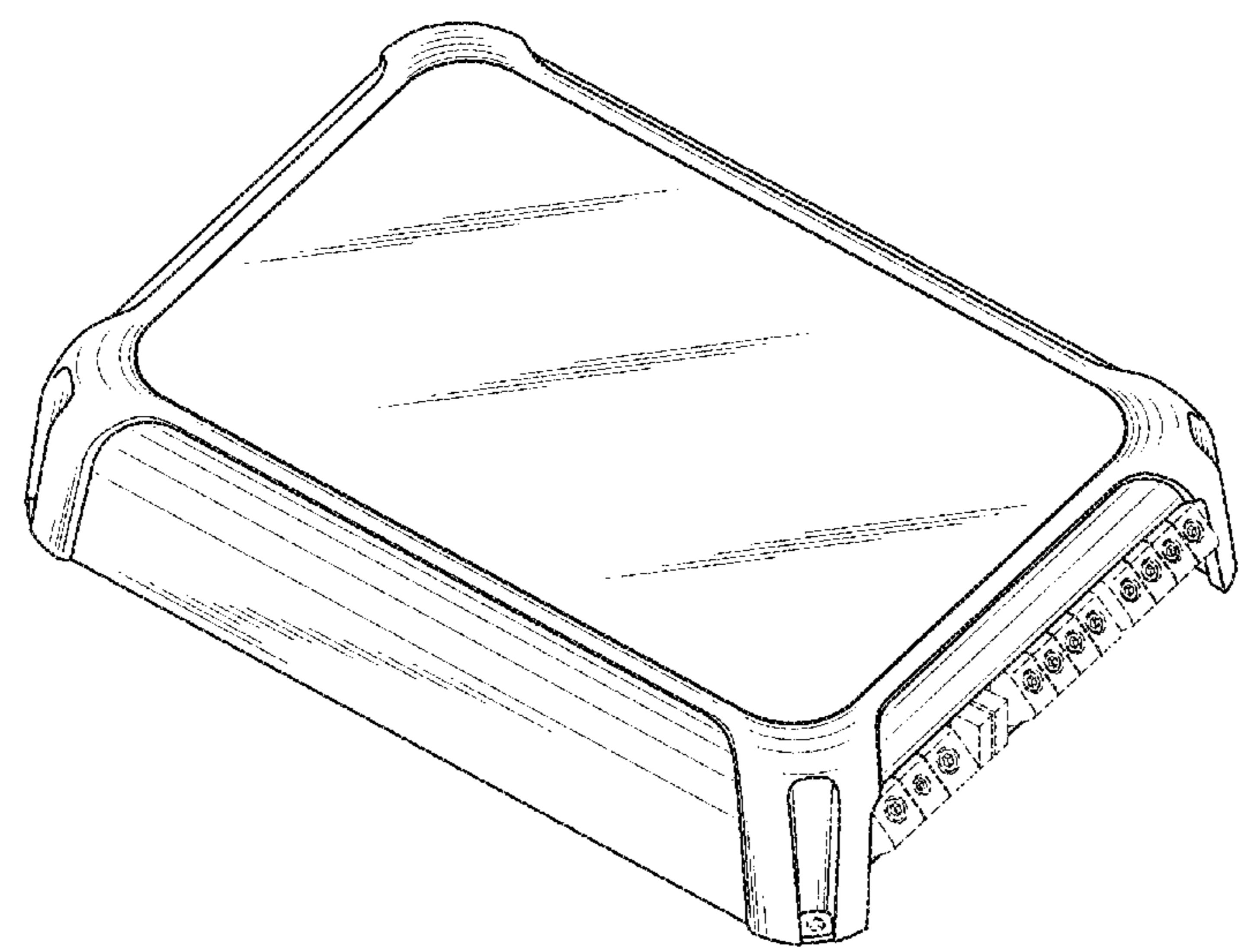
(56) **References Cited**
U.S. PATENT DOCUMENTS
D549,213 S * 8/2007 Warden D14/188
D626,123 S * 10/2010 Peng D14/324
D694,752 S * 12/2013 Li D14/341
(Continued)
FOREIGN PATENT DOCUMENTS
JP D967129 10/1996
JP D1201396 4/2004
(Continued)

OTHER PUBLICATIONS
Catalogue "Audio & AV 2017 Car Entertainment Dealer Reference Guide vol. 1" (pp. 52-59) issued on 2016.
Primary Examiner — Katie Jane Stofko
(74) *Attorney, Agent, or Firm* — Faegre Drinker Biddle & Reath LLP

(57) **CLAIM**
The ornamental design for an amplifier for automobile, as shown and described.

DESCRIPTION
FIG. 1 is a perspective view of an amplifier for automobile showing our new design;
FIG. 2 is a front view thereof;
FIG. 3 is a rear view thereof;
FIG. 4 is a top view thereof;
FIG. 5 is a bottom view thereof;
FIG. 6 is a right side view thereof; and,
FIG. 7 is a left side view thereof.
The broken line showing of the amplifier for automobile is included for the purpose of illustrating portions of the amplifier for automobile and forms no part of the claimed design.

1 Claim, 7 Drawing Sheets



(56)

References Cited

U.S. PATENT DOCUMENTS

D701,832 S * 4/2014 Drew D13/133
 D703,665 S * 4/2014 Suzuki D14/341
 D723,028 S * 2/2015 Leonard D14/316
 D725,519 S * 3/2015 Drew D10/75
 D733,154 S * 6/2015 Armstrong D14/440
 D763,712 S * 8/2016 Recoura-Massaquant D10/75
 D766,826 S * 9/2016 Xu D13/110
 D768,011 S * 10/2016 Weiss D10/49
 D768,515 S * 10/2016 Weiss D10/49
 D775,100 S * 12/2016 Teruyama D14/138 G
 D781,284 S * 3/2017 Suzuki D14/341
 D783,604 S * 4/2017 Wesolek D14/341
 D785,617 S * 5/2017 Bidwell D14/341
 D786,107 S * 5/2017 Pileggi D10/78
 D792,846 S * 7/2017 Zheng D13/110
 D792,886 S * 7/2017 Schwibner D14/440
 D793,383 S * 8/2017 Cai D14/341
 D801,976 S * 11/2017 Li D14/440
 D807,850 S * 1/2018 Whang D14/138 G
 D826,931 S * 8/2018 Chang D14/341

D855,026 S * 7/2019 Miller D13/158
 D864,198 S * 10/2019 Bidwell D14/341
 2016/0179143 A1* 6/2016 Bidwell G06F 1/1656
 361/679.4

FOREIGN PATENT DOCUMENTS

JP	D1201397	4/2004
JP	D1226016	12/2004
JP	D1258769	12/2005
JP	D1258868	12/2005
JP	D1263302	2/2006
JP	D1307353	8/2007
JP	D1307360	8/2007
JP	D1313209	10/2007
JP	D1313508	10/2007
JP	D1328415	4/2008
JP	D1376282	12/2009
JP	D1423471	9/2011
JP	D1423584	9/2011
JP	D1457269	12/2012

* cited by examiner

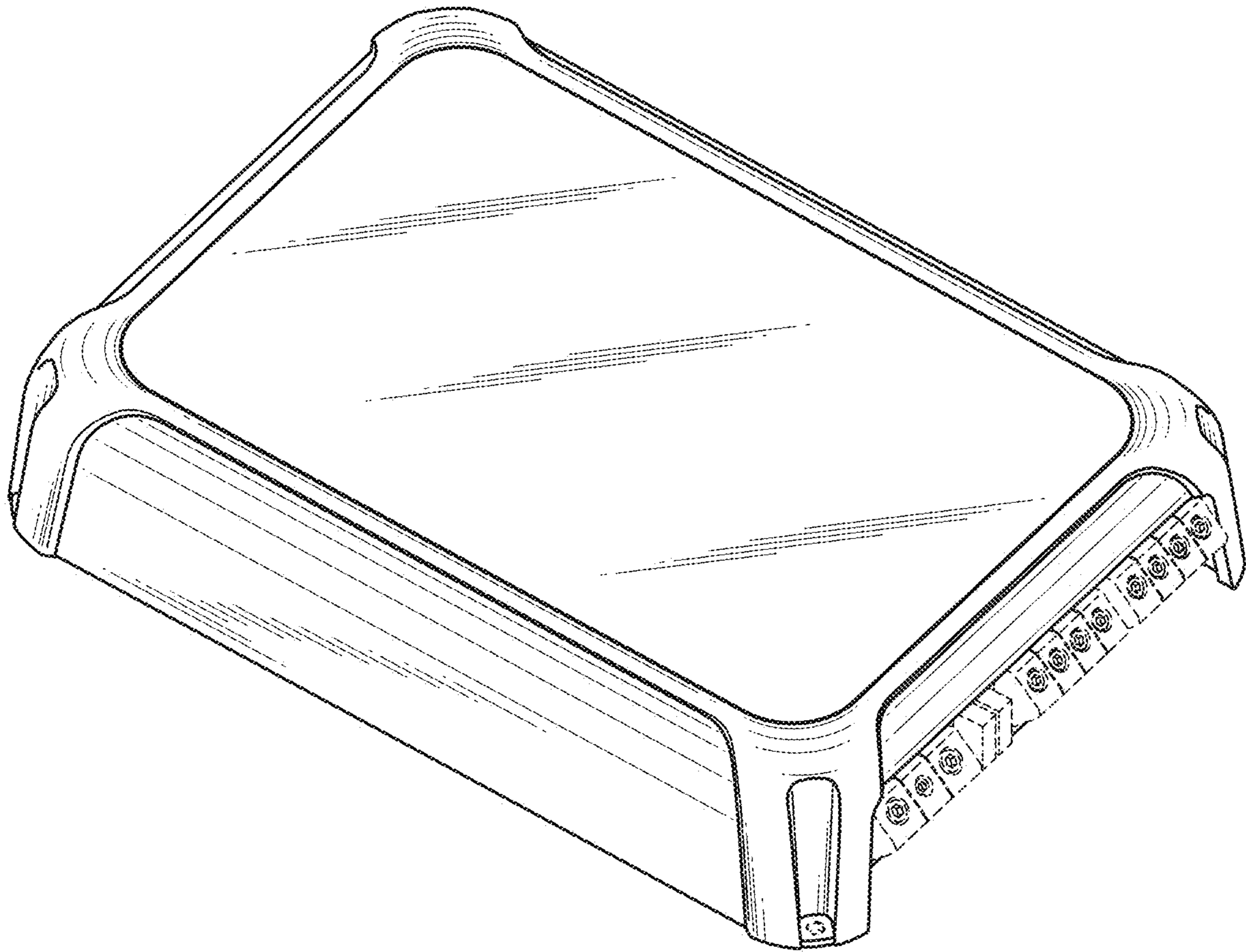


FIG. 1

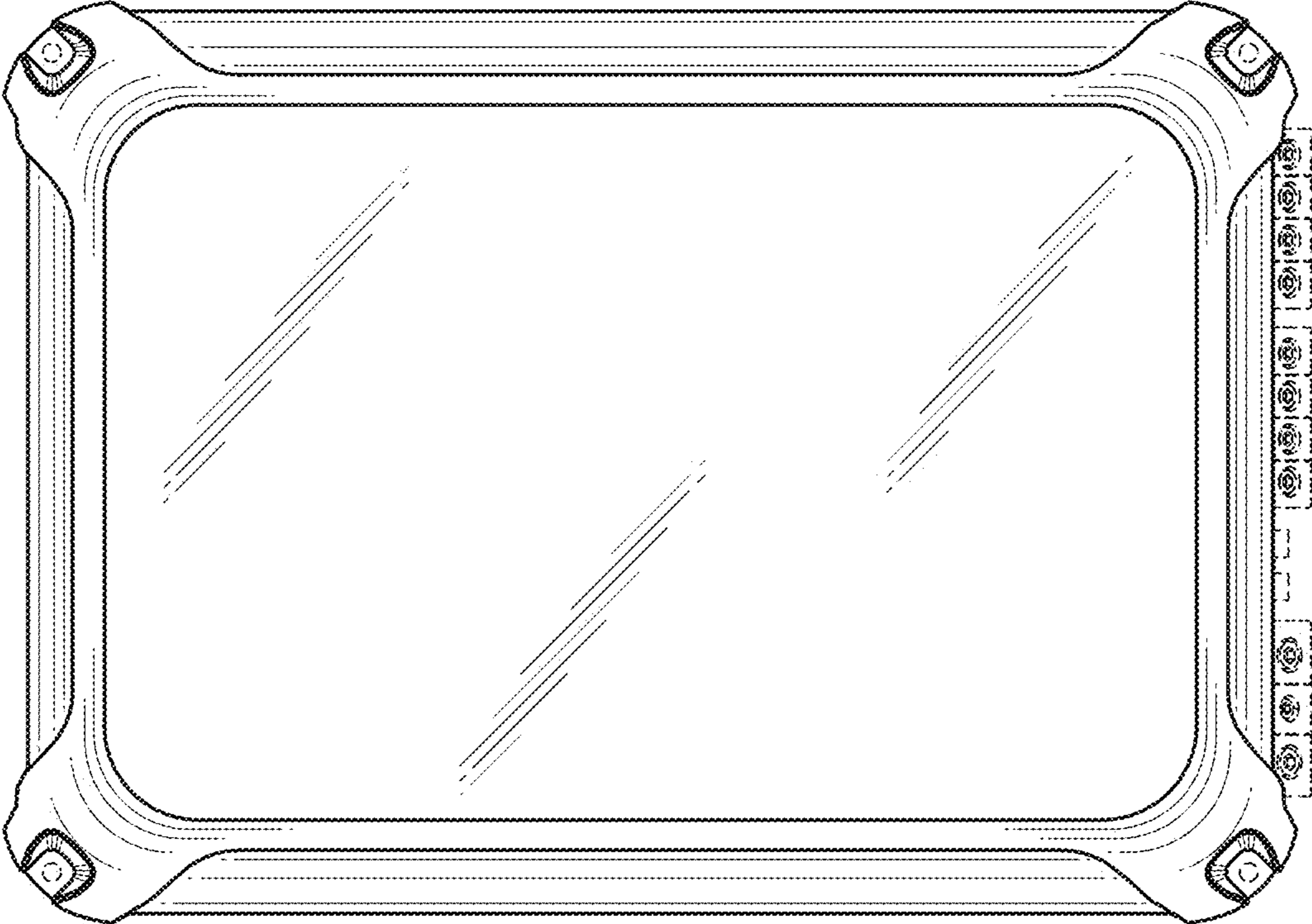


FIG. 2

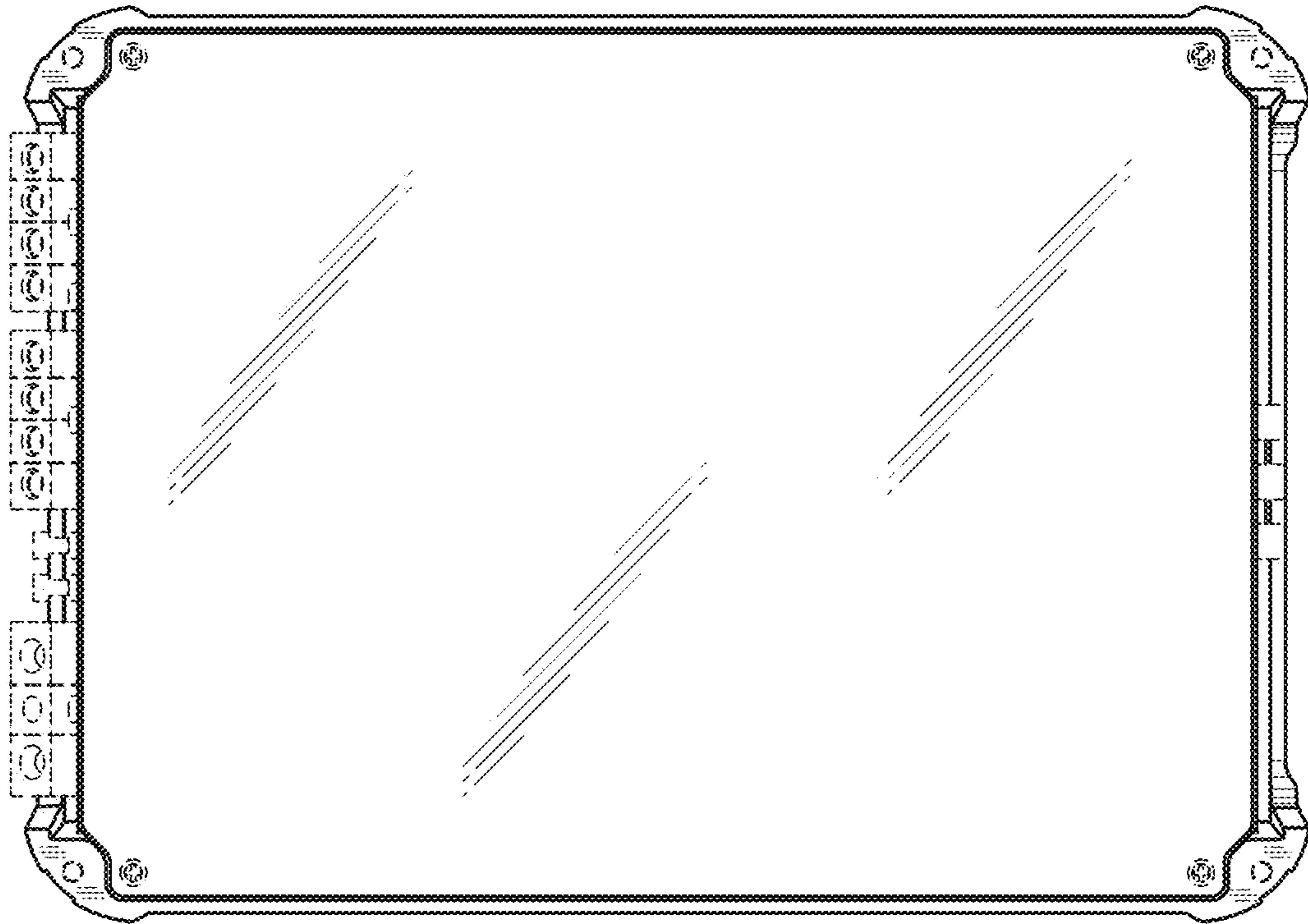


FIG. 3

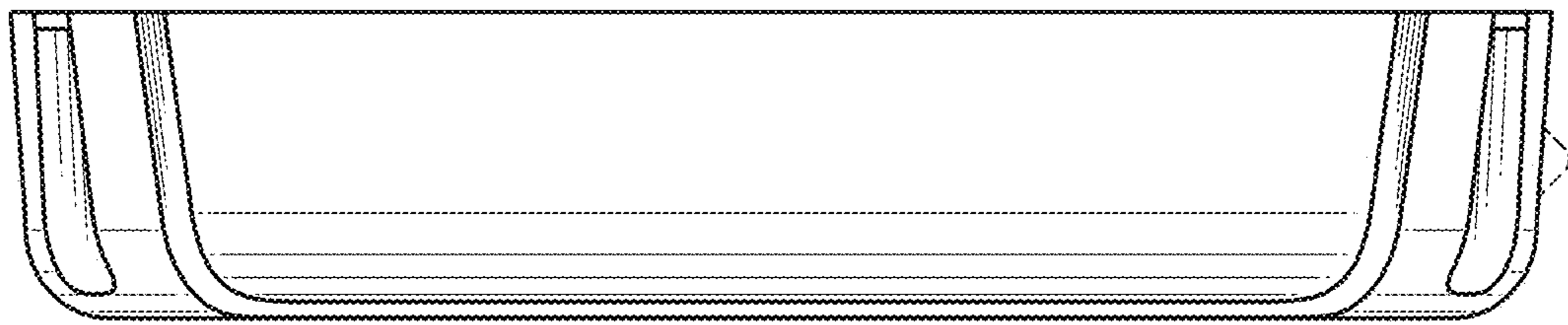


FIG. 4

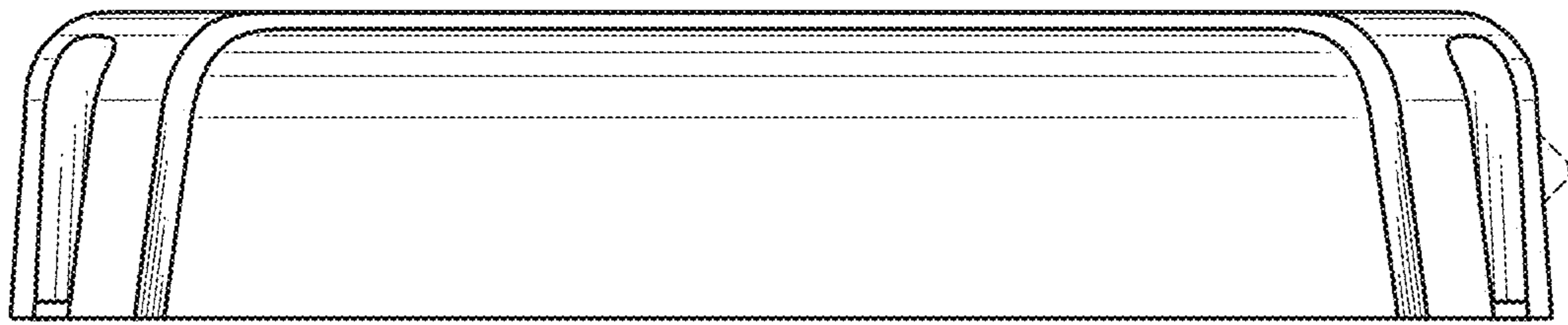


FIG. 5

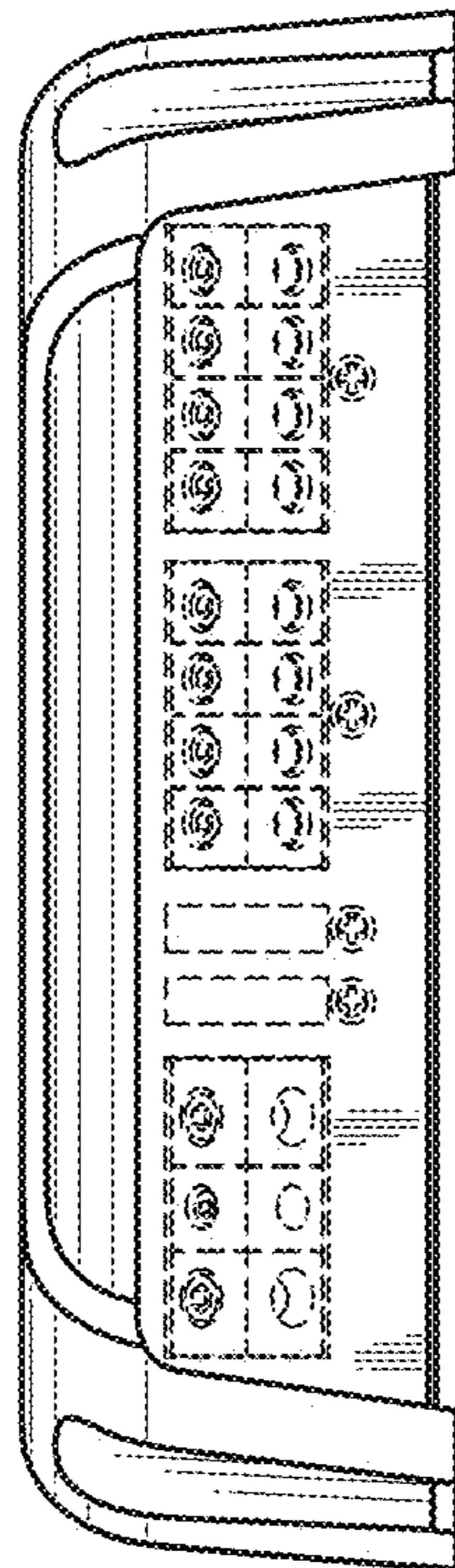


FIG. 6

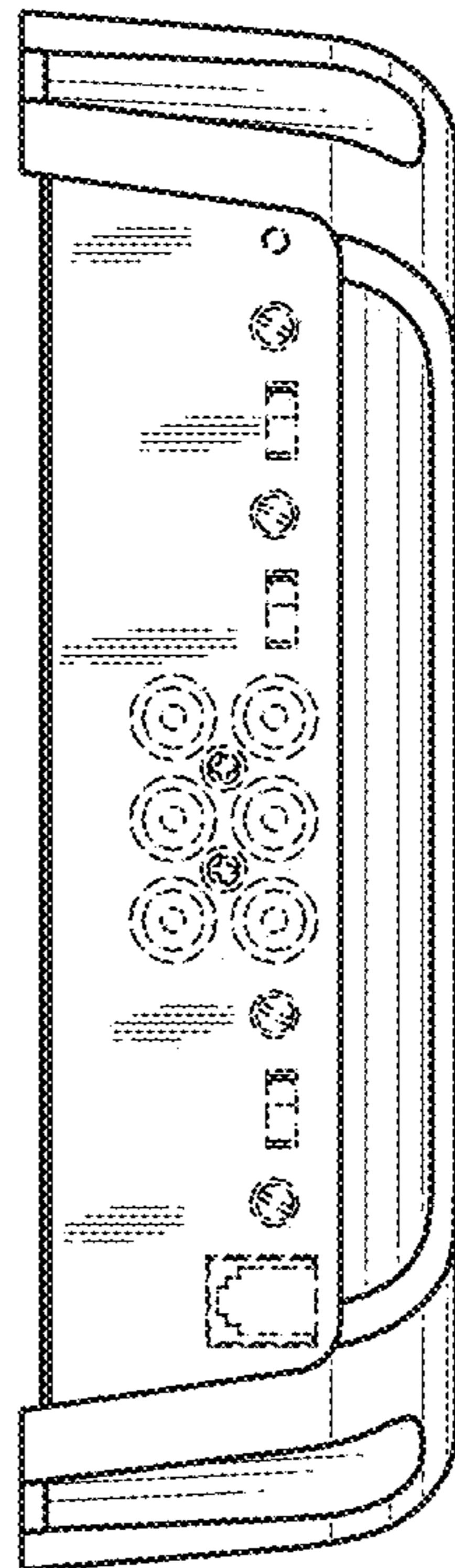


FIG. 7