



US00D892071S

(12) **United States Design Patent**
Zhang

(10) **Patent No.:** **US D892,071 S**

(45) **Date of Patent:** **** Aug. 4, 2020**

(54) **WALKIE TALKIE**

(71) Applicant: **Donghua Zhang**, Guangdong (CN)

(72) Inventor: **Donghua Zhang**, Guangdong (CN)

(73) Assignee: **Shenzhen Jizhida Technology Co., Ltd**, Shenzhen (CN)

(**) Term: **15 Years**

(21) Appl. No.: **29/650,815**

(22) Filed: **Jun. 11, 2018**

(51) **LOC (12) Cl.** **14-03**

(52) **U.S. Cl.**
USPC **D14/137**

(58) **Field of Classification Search**

USPC D14/137, 138 R, 138 AA, 147, 148, 218, D14/155, 159, 142, 225, 226, 191, 243, D14/140, 188, 192, 194, 197, 198, 168; D21/517, 566; D10/104.1, 104.2, 106.1, D10/65; D13/168; D30/199; D26/38
CPC H04B 1/3833; H04B 1/3827; H04B 2001/3861; H04M 1/0202; H04M 1/03; H04M 1/035; G08B 21/0202

See application file for complete search history.

(56) **References Cited**

U.S. PATENT DOCUMENTS

D271,764 S * 12/1983 Toth D14/137
D351,383 S * 10/1994 Richards D14/137
D510,332 S * 10/2005 Haase D14/137
7,146,187 B2 * 12/2006 Richards H04B 1/3805
455/556.1
D540,290 S * 4/2007 Haase D14/137
D540,764 S * 4/2007 Kaner D14/137
D576,126 S * 9/2008 Nishida D14/137
D577,700 S * 9/2008 Akita D14/137
D607,855 S * 1/2010 Nakagawa D14/137
D616,845 S * 6/2010 Xia D14/137
D651,997 S * 1/2012 Oikawa D14/137

D713,809 S * 9/2014 Sakata D14/137
D717,259 S * 11/2014 Ooi D14/137
D721,050 S * 1/2015 Kaner D14/137
D749,533 S * 2/2016 Sakata D14/137
D752,537 S * 3/2016 Oikawa D14/137
D796,466 S * 9/2017 Sakata D14/137
D873,784 S * 1/2020 Woo D14/137
D879,062 S * 3/2020 Nishizawa D14/137
2009/0197545 A1 * 8/2009 Gong H04B 1/3833
455/90.2
2010/0073224 A1 * 3/2010 Fan G01S 5/0045
342/357.52
2015/0133200 A1 * 5/2015 Qu H04M 1/6033
455/569.1

OTHER PUBLICATIONS

Zastone ZT-A9 . . . , published by Alibaba.com, no date, [online], [site visited Mar. 27, 2020]. Available from Internet, URL:http://www.zastone.cn/product/60550017469-802009519/ZASTONE_ZT_A9_10W_powerful_handheld_pocket_walkie_talkie_two_way_radio_vhf_power_amplifier_10w.html?spm=a2700.icbuShop.41413.17.4b981a3eqcl9Xr.*

(Continued)

Primary Examiner — Jeffrey D Asch

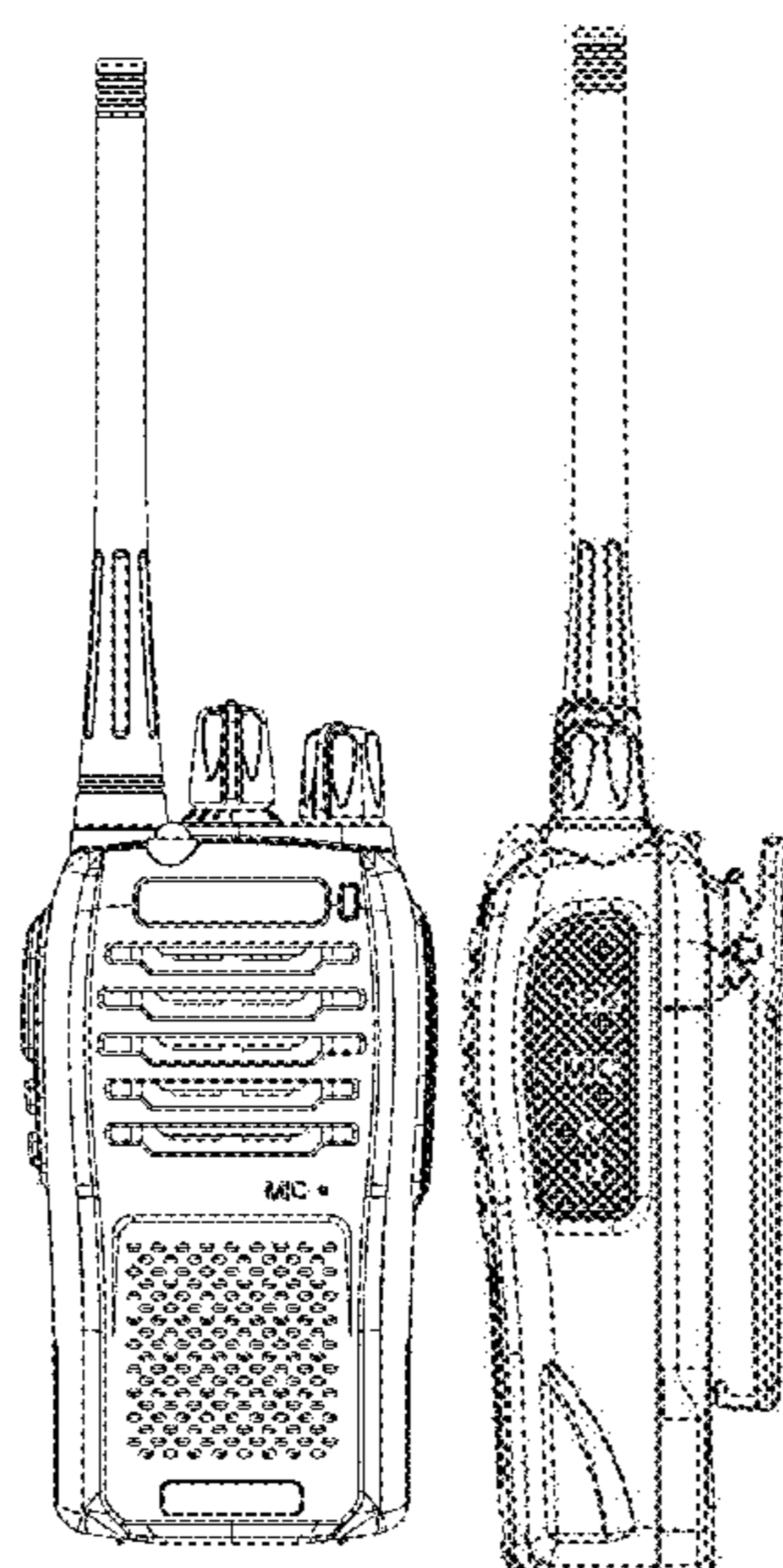
(57) **CLAIM**

The ornamental design for a walkie talkie, as shown and described.

DESCRIPTION

FIG. 1 is a perspective view of a walkie talkie showing my new design;
FIG. 2 is a front elevational view thereof;
FIG. 3 is a rear elevational view thereof;
FIG. 4 is a left side elevational view thereof;
FIG. 5 is a right side elevational view thereof;
FIG. 6 is a top plan view thereof;
FIG. 7 is a bottom plan view thereof; and,
FIG. 8 is another perspective view thereof.

1 Claim, 8 Drawing Sheets



(56)

References Cited

OTHER PUBLICATIONS

Hunicom Walkie Talkie published by Amazon.com, no date, 1st review Jan. 8, 2020 [online], [site visited Mar. 27, 2020]. Available from Internet, URL: <https://www.amazon.com/HUNICOM-Talkies-Rechargeable-Earpieces-Activities/dp/B07ZF6DMQ7>.*

BT900 Walkie Talkie (FRS) User Manual, published by FCC ID, Jan. 2, 2019, Shenzhen Jizhida Technology [online], [site visited Mar. 27, 2020]. Available from Internet, URL: <https://fccid.io/2AQJBT900/User-Manual/User-Manual-4127639.html>.*

BT900 Walkie Talkie (FRS) External Photos, published by FCC ID, Jan. 2, 2019, Shenzhen Jizhida Technology, [online], [site visited Mar. 27, 2020]. Available from Internet, URL: <https://fccid.io/2AQJBT900/External-Photos/Ext-Photos-4127631>.*

* cited by examiner

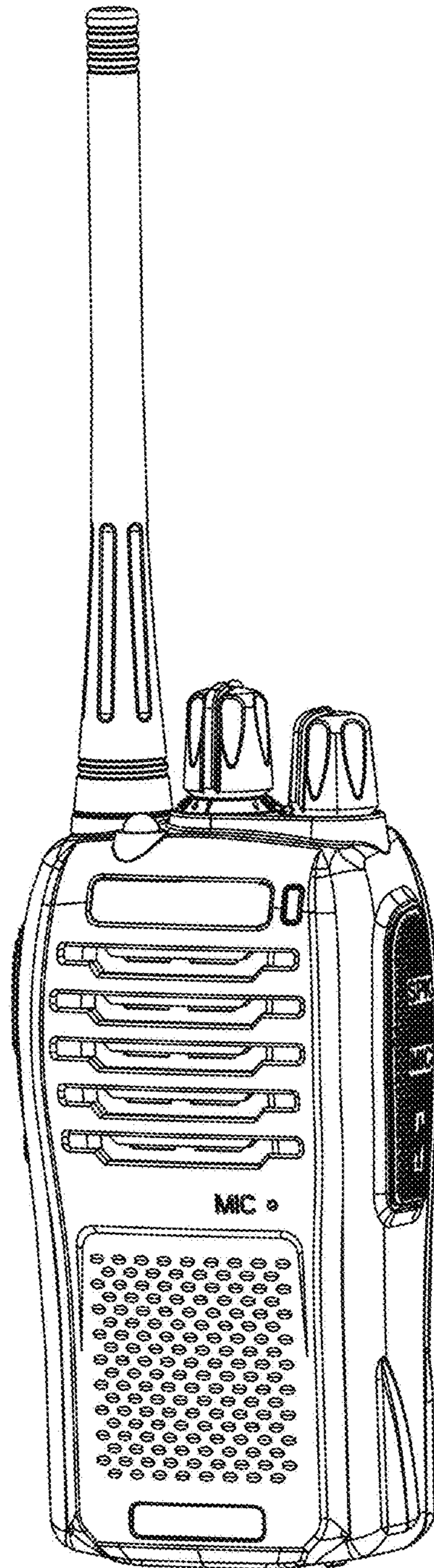


FIG.1

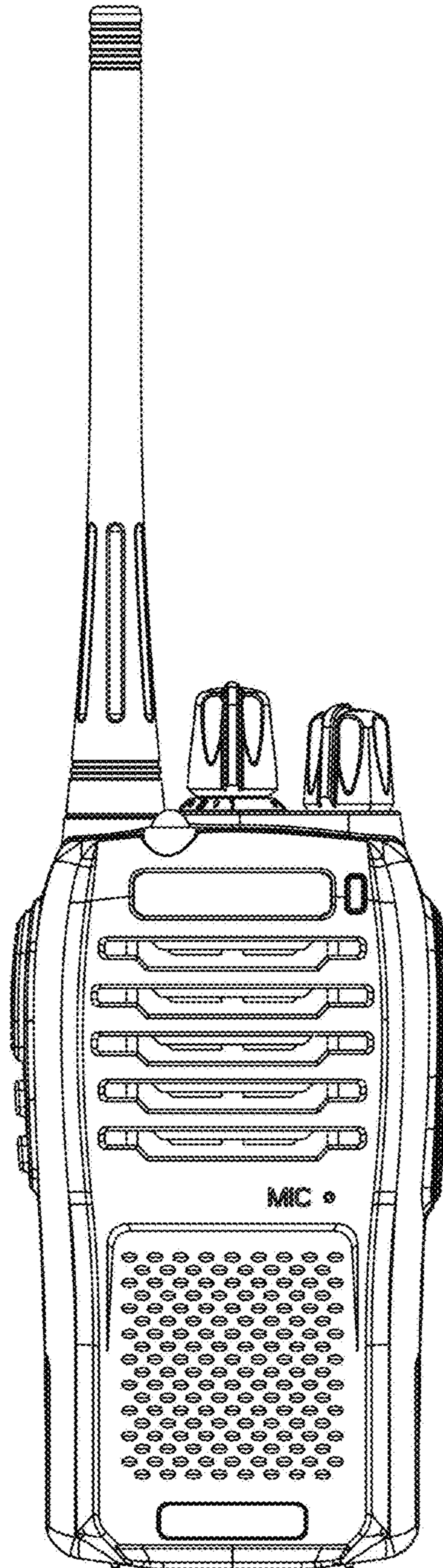


FIG.2

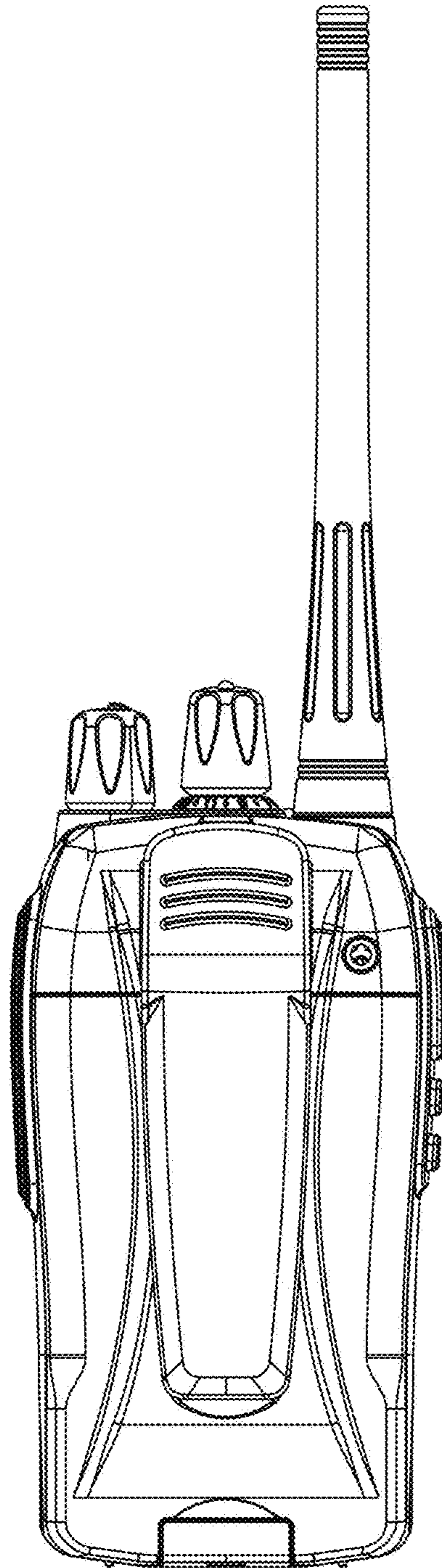


FIG.3

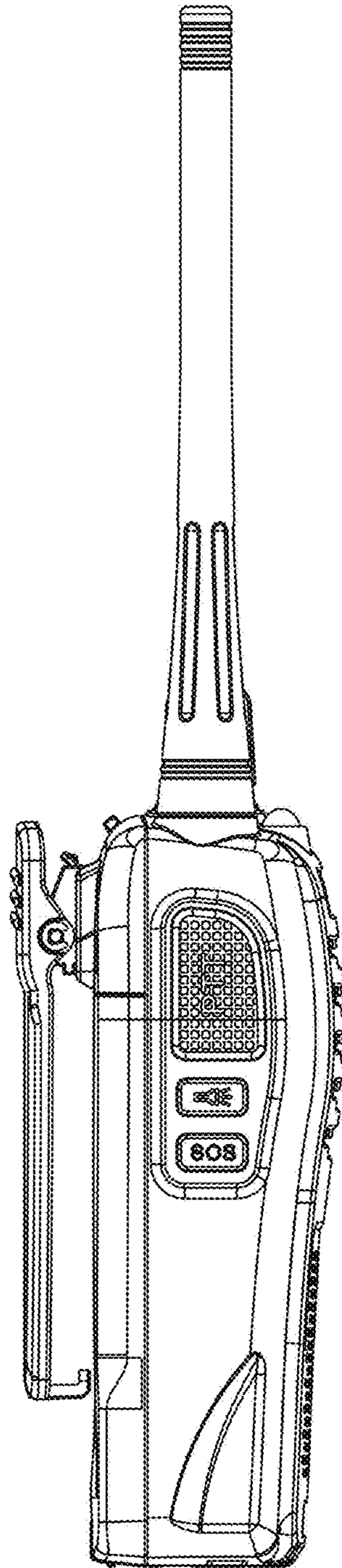


FIG.4

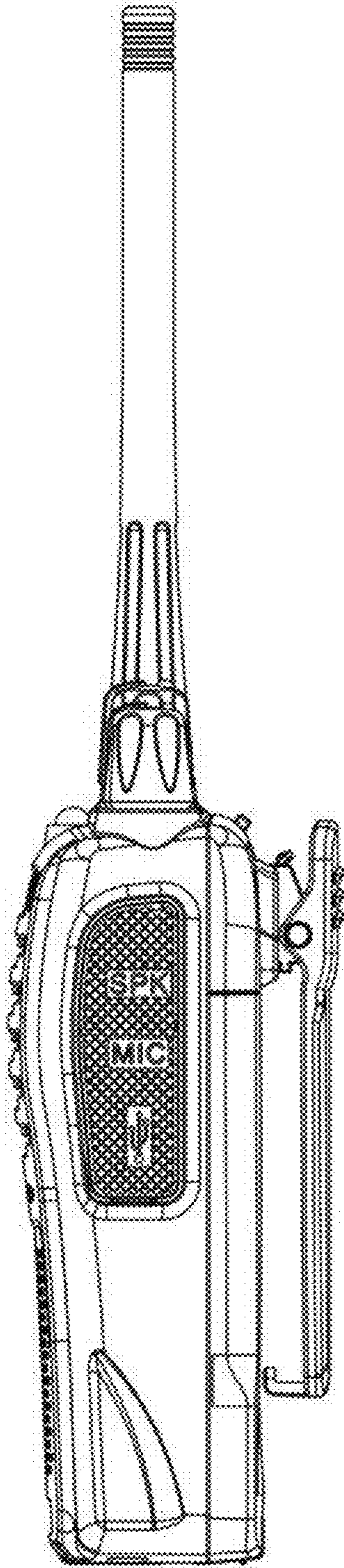


FIG.5

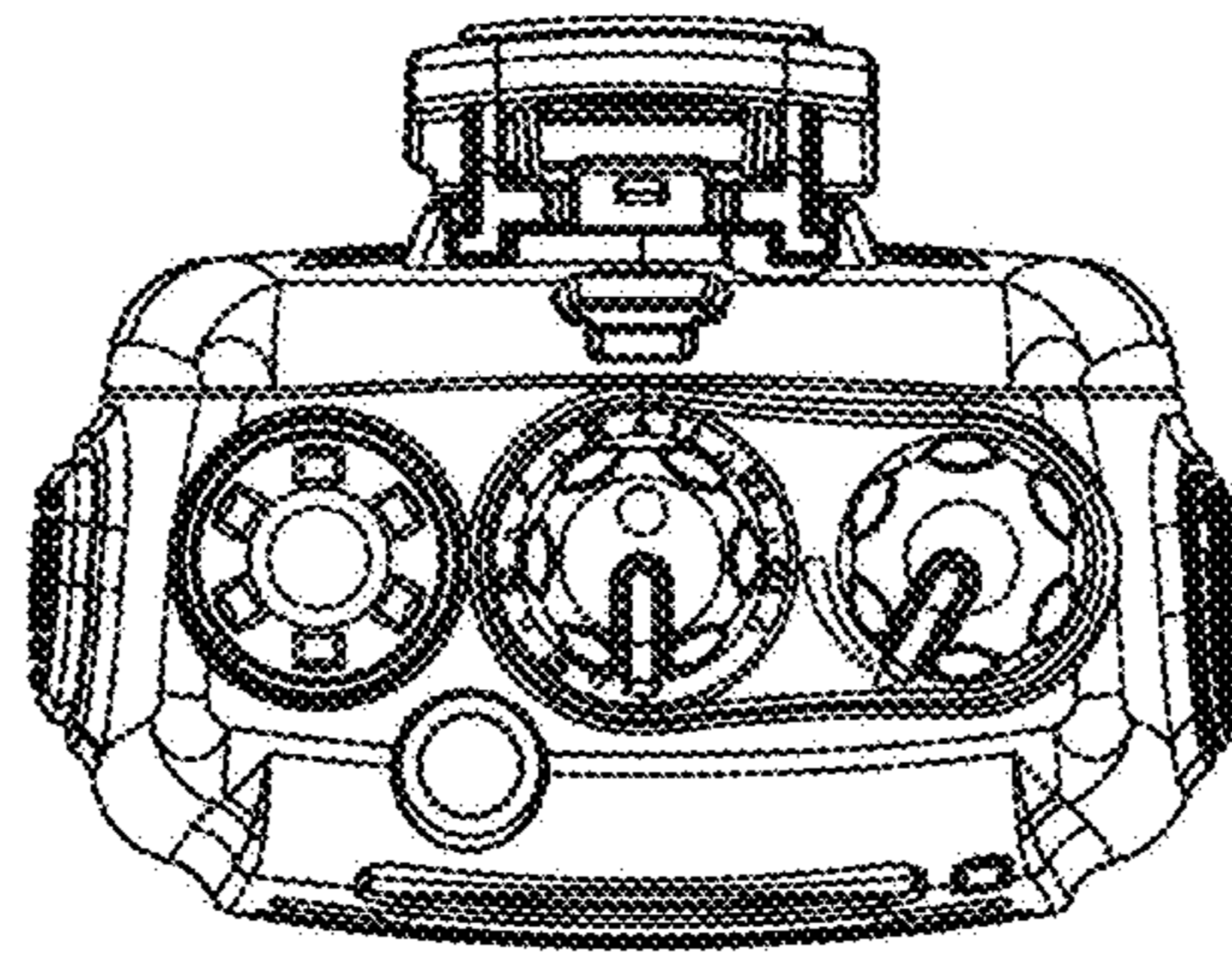


FIG.6

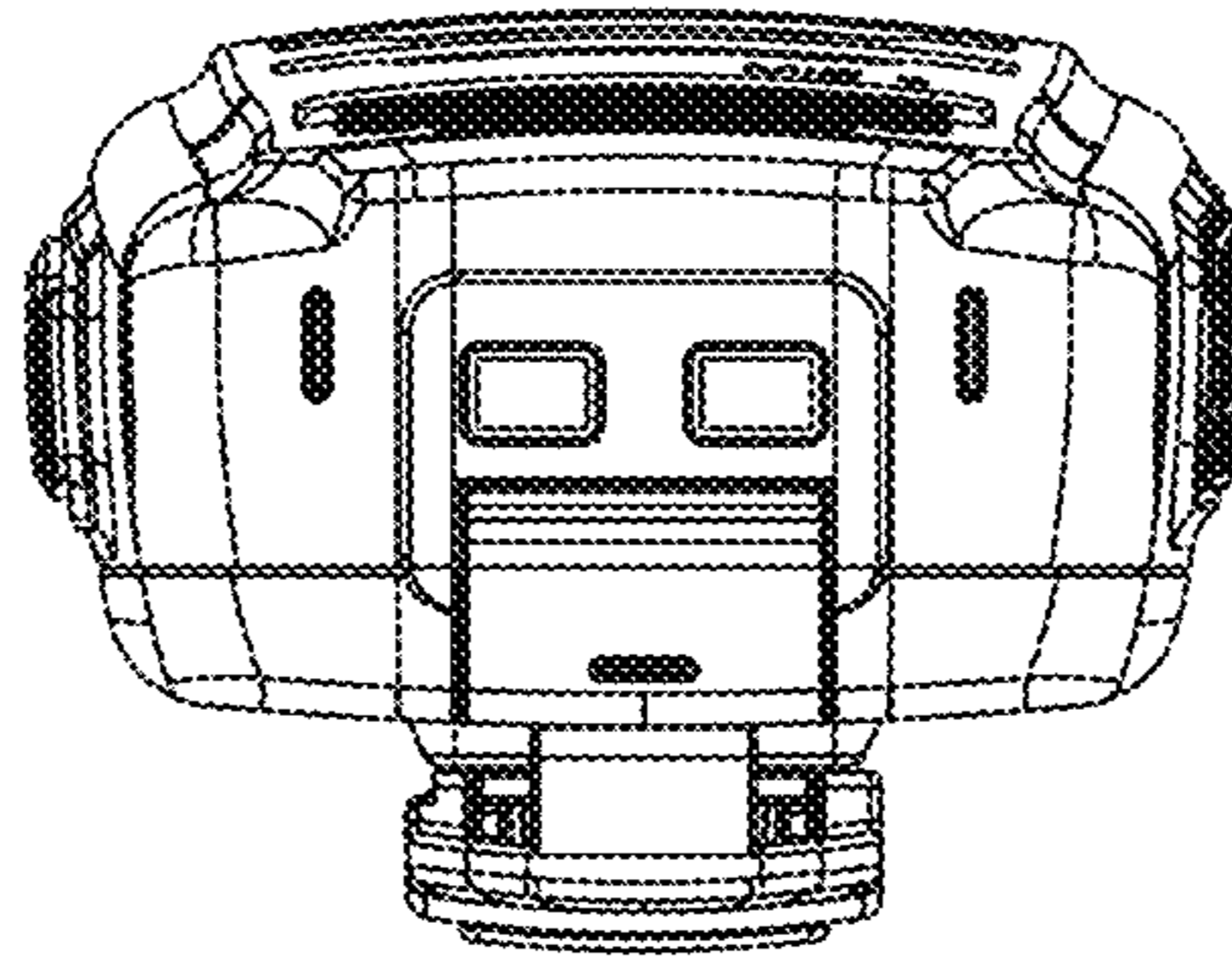


FIG.7

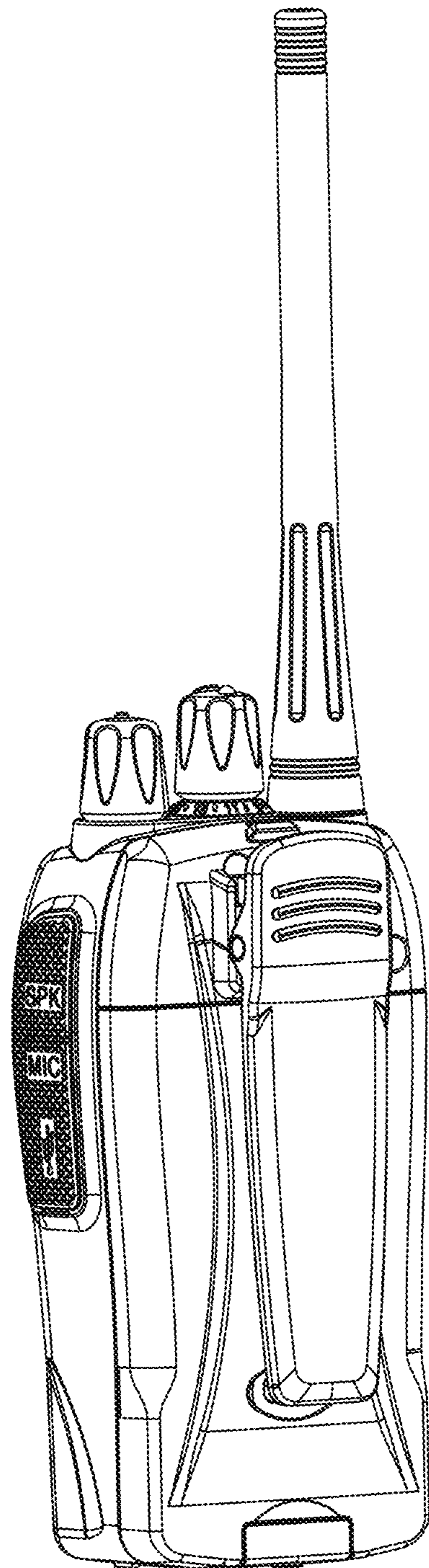


FIG.8