



US00D892070S

(12) **United States Design Patent** (10) **Patent No.:** **US D892,070 S**
Kim et al. (45) **Date of Patent:** **** Aug. 4, 2020**

(54) **TELEVISION APPARATUS**

(56) **References Cited**

(71) Applicant: **LG ELECTRONICS INC.**, Seoul (KR)
(72) Inventors: **Yooseok Kim**, Seoul (KR); **Hyojin Won**, Seoul (KR); **Yongseok Kim**, Seoul (KR); **Sangik Lee**, Seoul (KR)
(73) Assignee: **LG Electronics Inc.**, Seoul (KR)
(**) Term: **15 Years**
(21) Appl. No.: **35/506,913**
(22) Filed: **Dec. 10, 2018**
(80) **Hague Agreement Data**
Int. Filing Date: **Dec. 10, 2018**
Int. Reg. No.: **DM/200752**
Int. Reg. Date: **Dec. 10, 2018**
Int. Reg. Pub. Date: **Jun. 14, 2019**

U.S. PATENT DOCUMENTS

D751,048 S *	3/2016	Yoon	D14/126
D774,482 S *	12/2016	Hong	D14/126
D778,854 S *	2/2017	Lee	D14/126
D796,465 S *	9/2017	Kim	D14/126
D808,353 S *	1/2018	Lee	D14/126
D824,890 S *	8/2018	Kim	D14/239
D826,884 S *	8/2018	Kim	D14/126
D830,984 S *	10/2018	Kim	D14/126
D835,593 S *	12/2018	Shin	D14/126
D836,584 S *	12/2018	Kim	D14/126
D836,618 S *	12/2018	Kim	D14/239
D872,702 S *	1/2020	Jang	D14/126
D878,314 S *	3/2020	Seong	D14/126

* cited by examiner

Primary Examiner — Keli L Hill
(74) *Attorney, Agent, or Firm* — Birch, Stewart, Kolasch & Birch, LLP

(30) **Foreign Application Priority Data**

Jun. 15, 2018 (KR) 30-2018-0027667

(51) **LOC (12) Cl.** **14-03**
(52) **U.S. Cl.**
USPC **D14/126**

(58) **Field of Classification Search**
USPC D14/125, 126, 128, 133, 239, 336, 371, D14/374-377, 448, 450, 168, 172, 204, D14/210, 214; D20/10, 19, 39; D21/329, 515; D16/241
CPC G06F 1/1601; G06F 1/1643; H04N 5/64; H04N 5/66; H04N 5/655; H04N 7/00; H04N 9/3141; H04N 13/0459; H04N 17/04; H04N 17/004; H04N 21/43637; G02B 6/0068; H05K 5/02; H05K 5/0004; H05K 5/0017; H05K 5/0217
See application file for complete search history.

(57) **CLAIM**

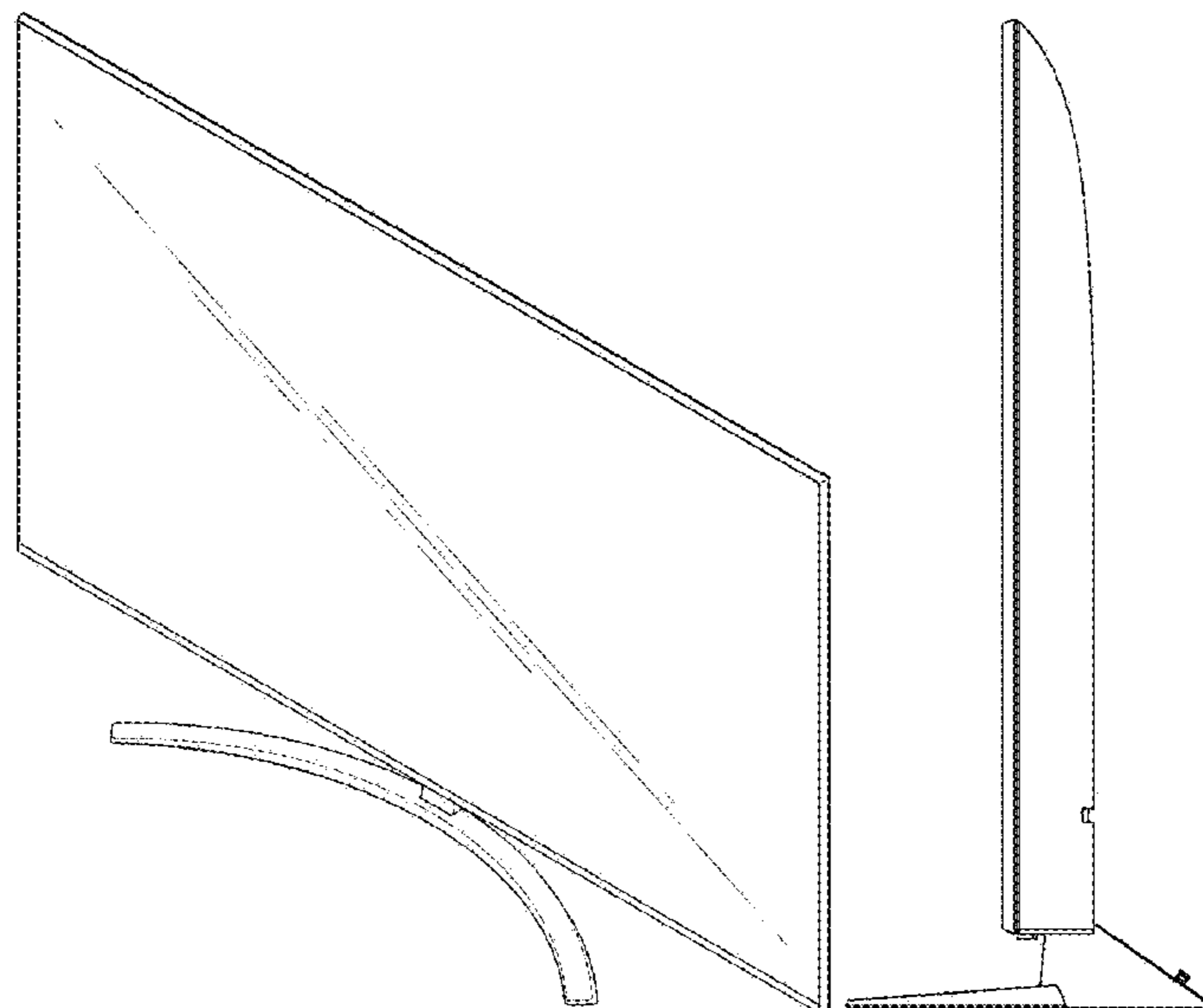
The ornamental design for a television apparatus, as shown and described.

DESCRIPTION

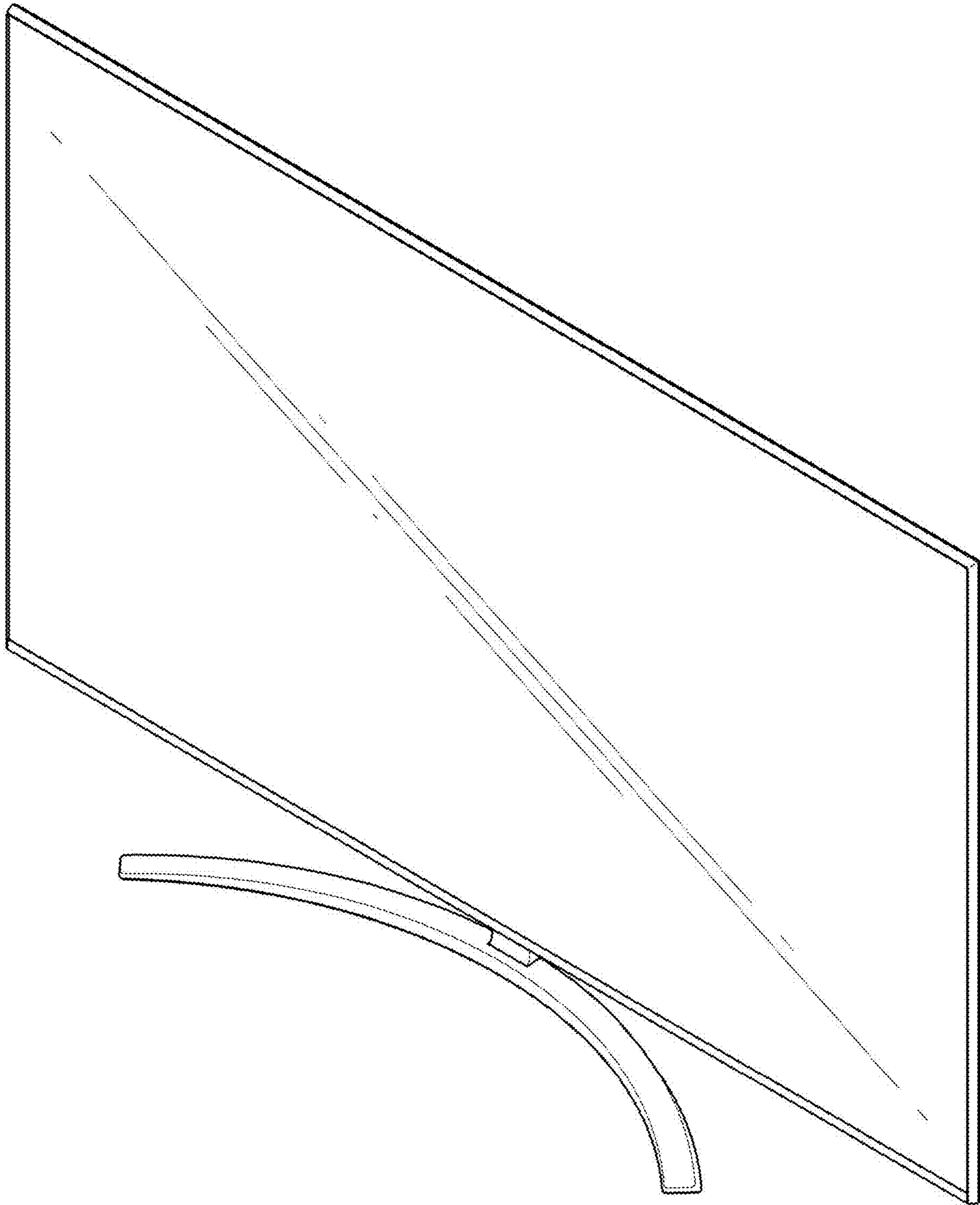
1. Television apparatus
- 1.1 : Perspective
- 1.2 : Rear perspective
- 1.3 : Front
- 1.4 : Back
- 1.5 : Left
- 1.6 : Right
- 1.7 : Top
- 1.8 : Bottom

The broken lines indicate portions of the article that form no part of the claimed design.

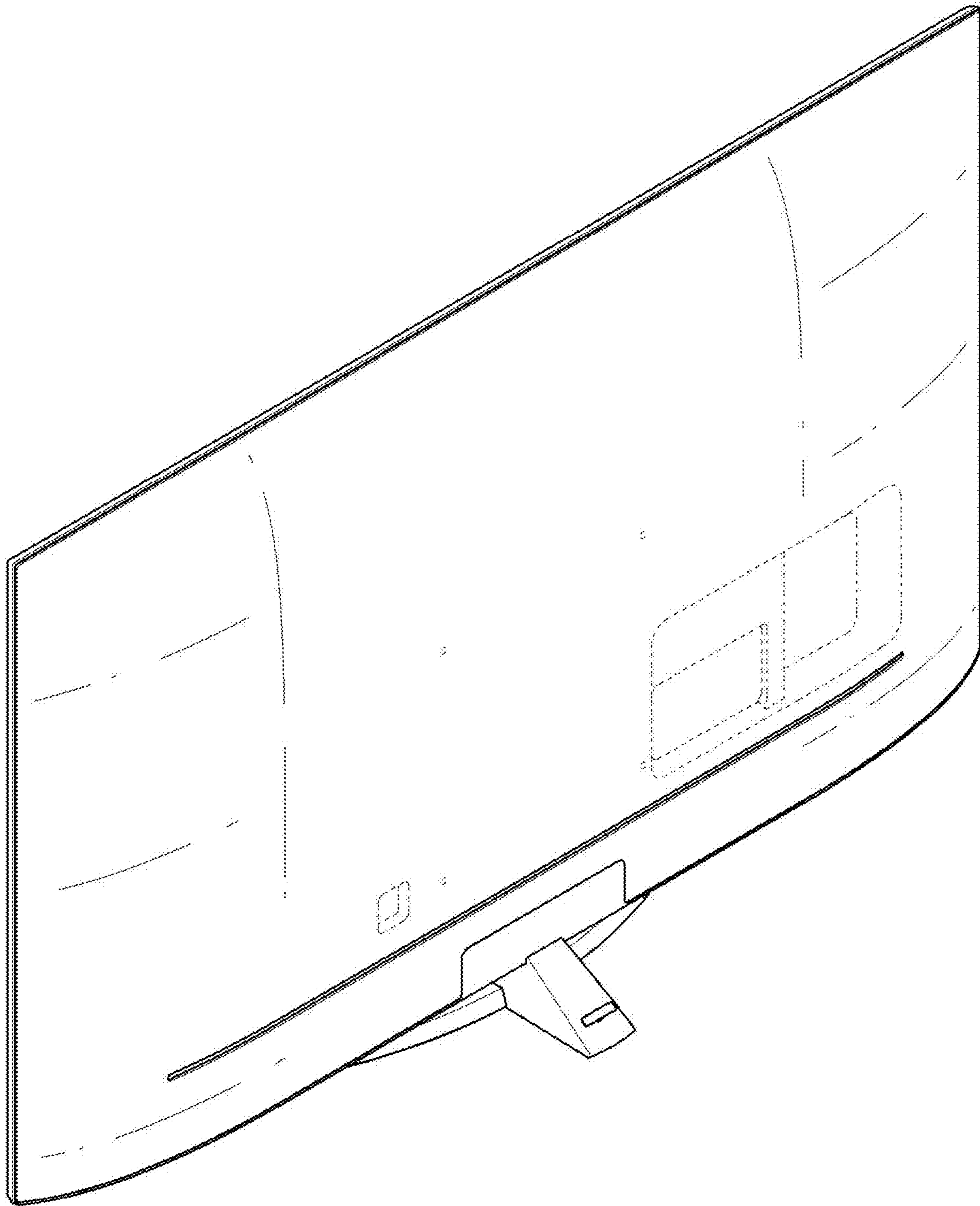
1 Claim, 8 Drawing Sheets



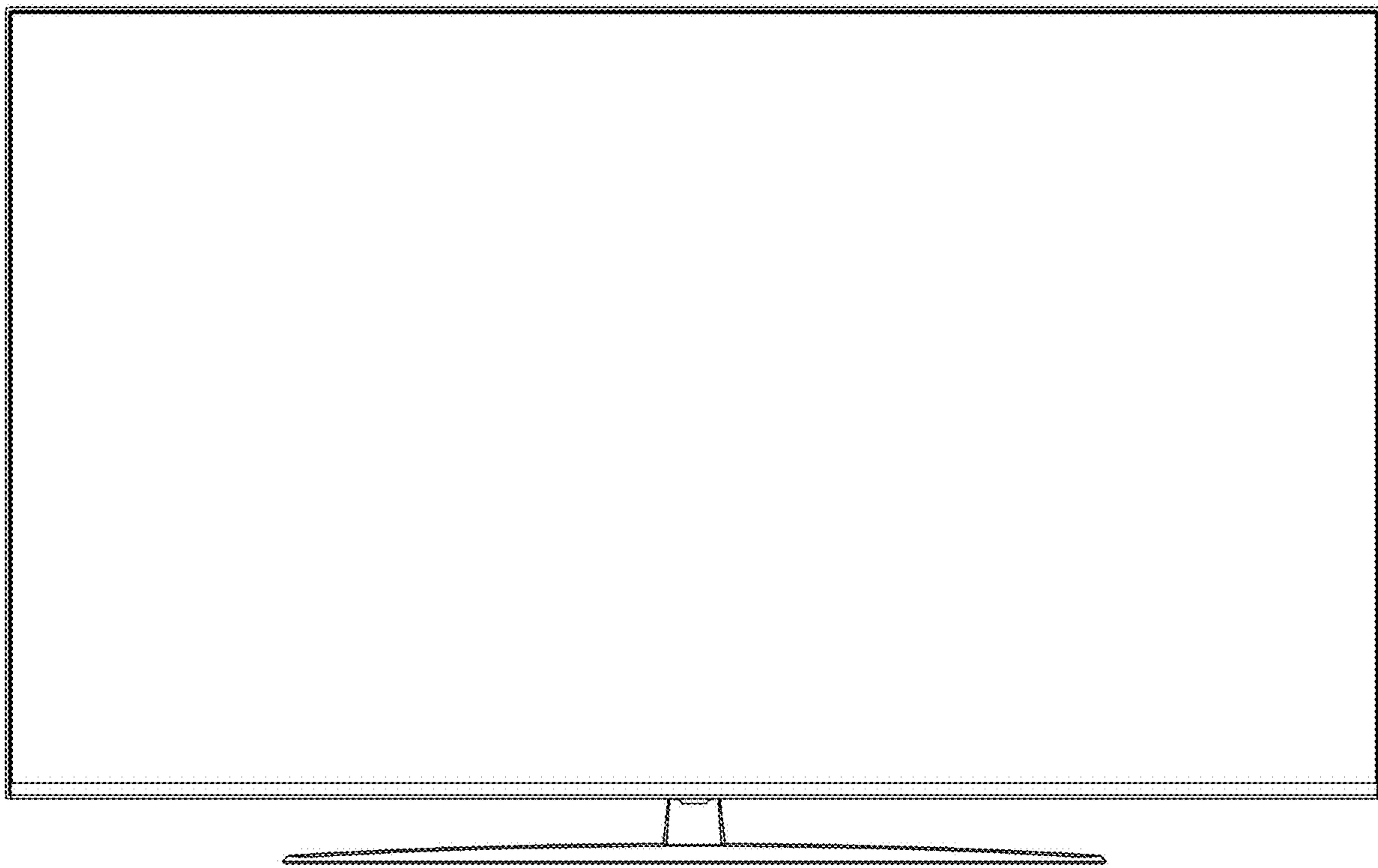
1.1



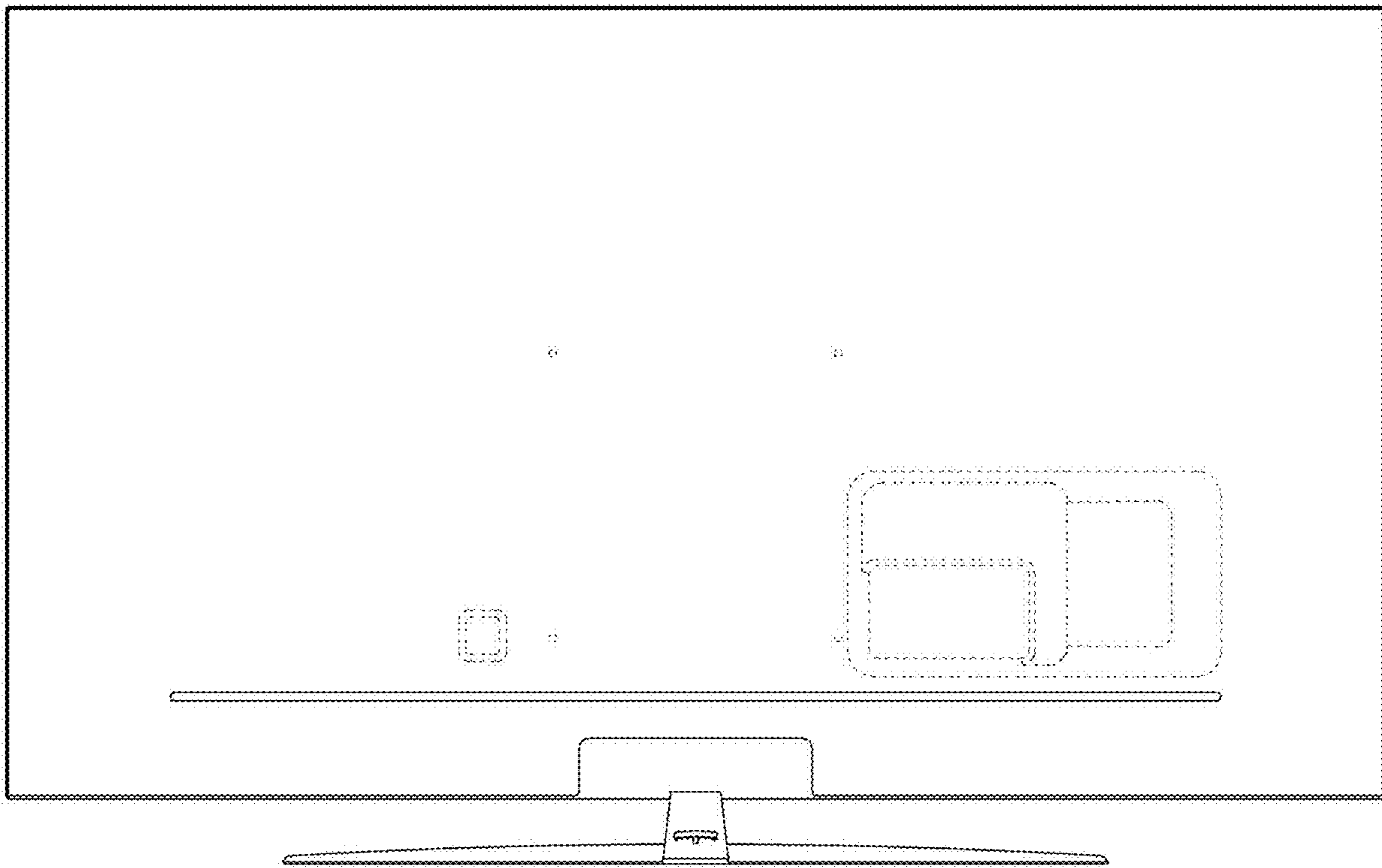
1.2



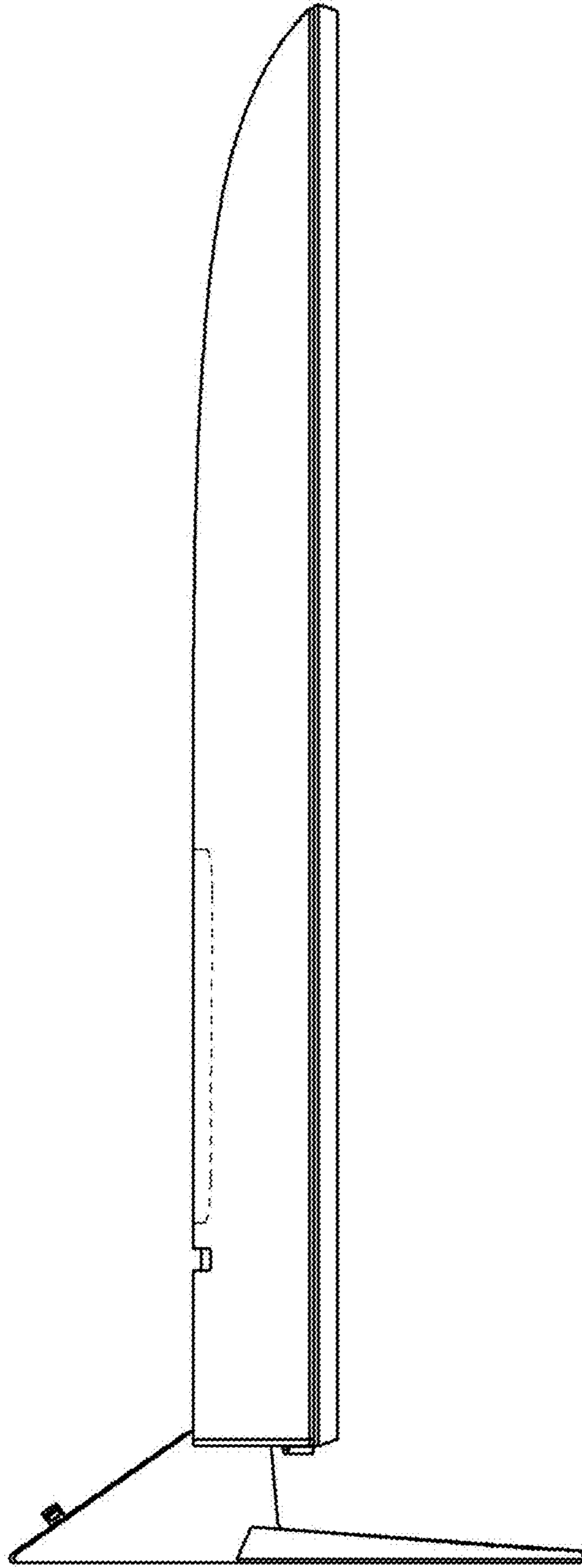
1.3



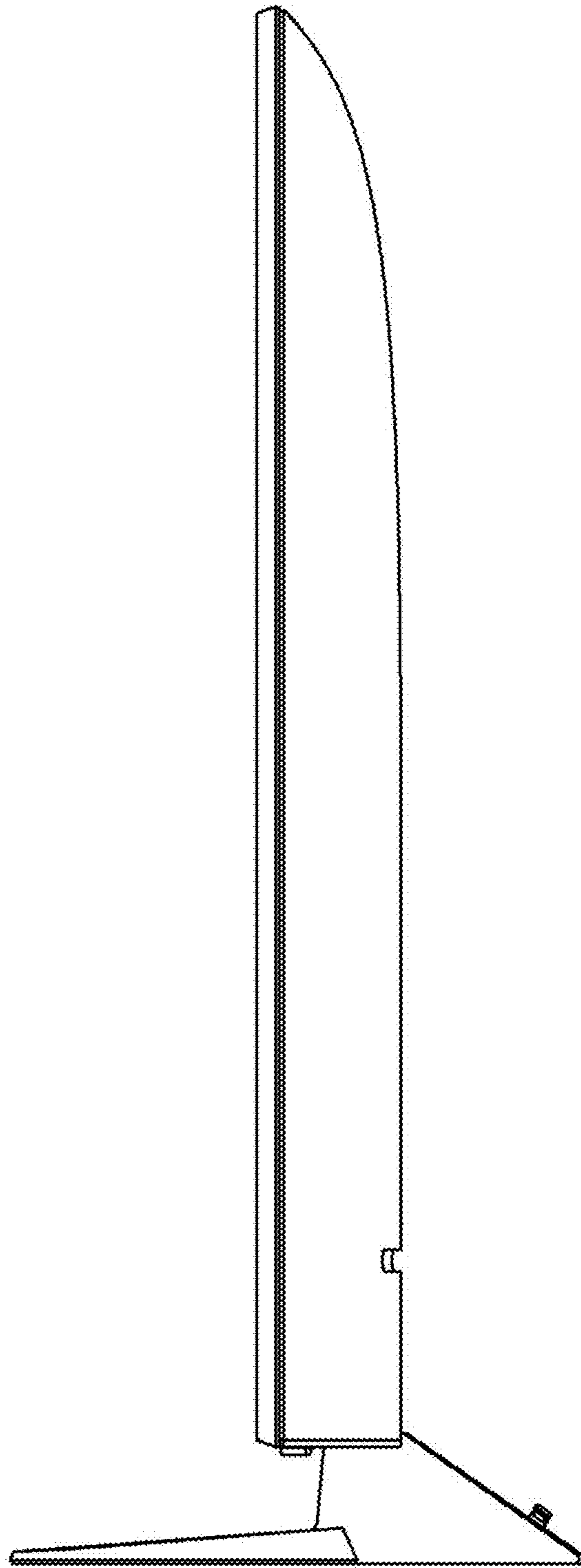
1.4



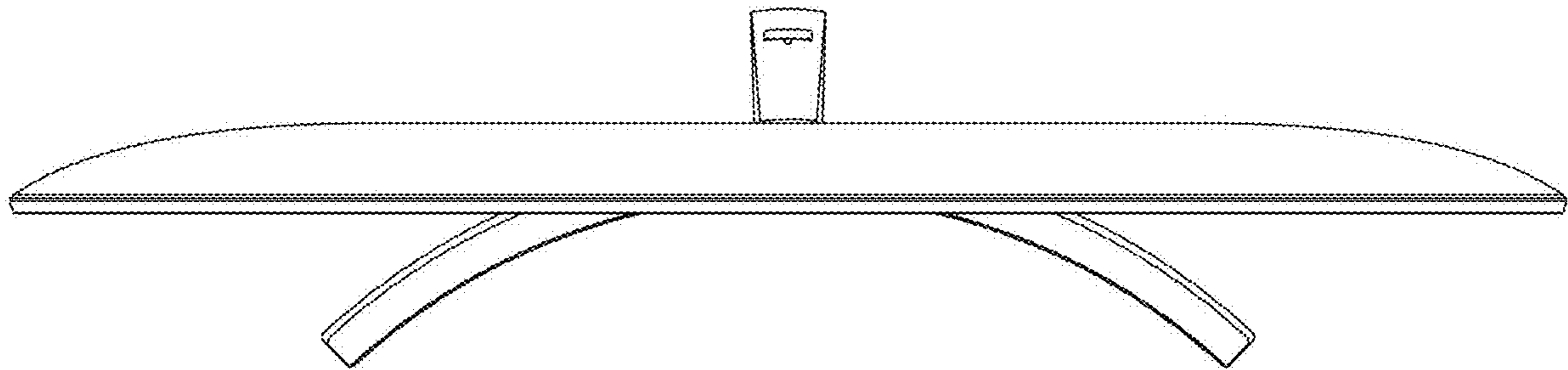
1.5



1.6



1.7



1.8

