

US00D892069S

(12) **United States Design Patent**  
**Cohen**

(10) **Patent No.:** **US D892,069 S**

(45) **Date of Patent:** **\*\* Aug. 4, 2020**

(54) **JUNCTION LIGHT BOX**

(71) Applicant: **Brandon Cohen**, Vernon, CA (US)

(72) Inventor: **Brandon Cohen**, Vernon, CA (US)

(\*\*) Term: **15 Years**

(21) Appl. No.: **29/597,785**

(22) Filed: **Mar. 20, 2017**

(51) **LOC (12) Cl.** ..... **13-03**

(52) **U.S. Cl.**  
USPC ..... **D13/184**

(58) **Field of Classification Search**  
USPC ..... D13/184, 152, 155, 133, 156, 158;  
D7/396.2; D23/261  
CPC ..... H02G 3/185; H02G 3/125; H02G 3/0625;  
H02G 3/083; H02G 3/20; H02G 3/126;  
H02G 3/12  
See application file for complete search history.

(56) **References Cited**

**U.S. PATENT DOCUMENTS**

1,133,535	A	3/1915	Cain	
1,471,340	A *	10/1923	Gordon Knight Julian	..... H02G 3/083 220/3.94
1,856,356	A	5/1932	Owen	
2,352,913	A	7/1944	Parker	
2,758,810	A	8/1956	Good	
2,802,933	A	8/1957	Broadwin	
3,104,087	A	9/1963	Budnick	
3,773,968	A	11/1973	Copp	
3,913,773	A	10/1975	Copp	
4,880,128	A	11/1989	Jorgensen	
4,919,292	A	4/1990	Hsu	
5,303,894	A	4/1994	Deschamps	
5,420,376	A	5/1995	Rajecki	
5,957,573	A	9/1999	Wedekind	
6,521,833	B1	2/2003	DeFreitas	

6,967,284	B1	11/2005	Gretz	
7,784,754	B2	8/2010	Nevers	
7,857,275	B2	12/2010	de la Borbolla	
7,950,832	B2	5/2011	Tanaka	
8,235,549	B2	8/2012	Gingrich, III	
8,926,133	B2	1/2015	Booth	
9,151,457	B2	10/2015	Pickard	
9,605,842	B1	3/2017	Davis	
9,696,021	B2	7/2017	Wronski	
9,797,562	B2	10/2017	Dabiet	
9,964,266	B2	5/2018	Danesh	
D832,218	S *	10/2018	Wronski	..... D13/152
D833,977	S *	11/2018	Danesh	..... D13/152
10,139,059	B2	11/2018	Danesh	
D848,375	S *	5/2019	Danesh	..... D13/152
10,295,163	B1 *	5/2019	Cohen	..... F21S 8/026
D851,046	S *	6/2019	Peng	..... D13/152
10,408,396	B2 *	9/2019	Wronski	..... F21V 21/048
D864,877	S *	10/2019	Danesh	..... D13/152

(Continued)

*Primary Examiner* — Keli L Hill

*Assistant Examiner* — Harold E Blackwell, II

(74) *Attorney, Agent, or Firm* — Eric Kelly

(57) **CLAIM**

The ornamental design for a junction light box, as shown and described.

**DESCRIPTION**

FIG. 1 is an upper front perspective view of a junction light box;

FIG. 2 is a lower front perspective view thereof;

FIG. 3 is a top view thereof;

FIG. 4 is a bottom view thereof;

FIG. 5 is a front view thereof;

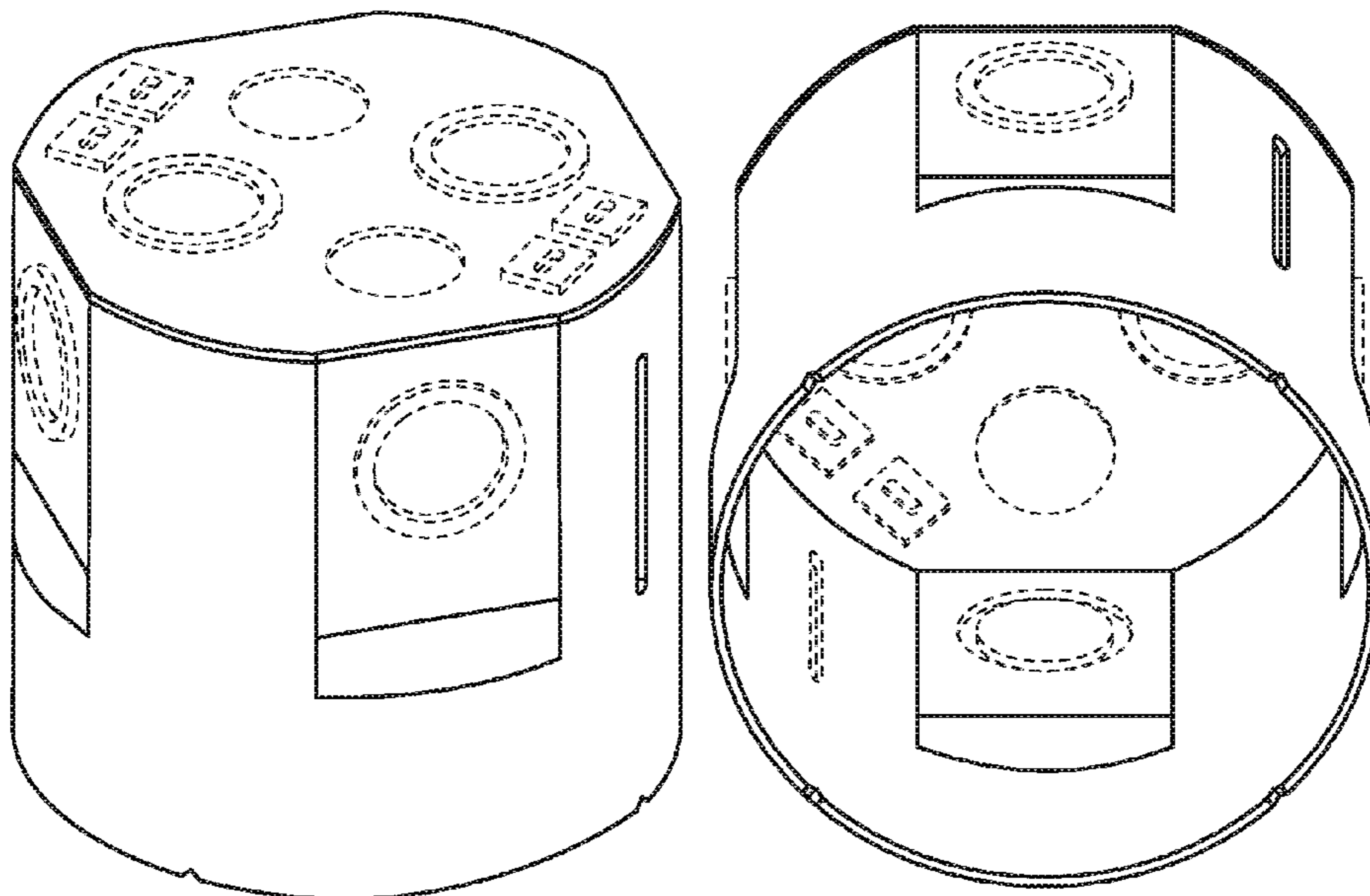
FIG. 6 is a rear view thereof;

FIG. 7 is a right side view thereof; and,

FIG. 8 is a left side view thereof.

The broken lines in the drawings illustrate portions of a junction light box which form no part of the claimed design.

**1 Claim, 2 Drawing Sheets**



(56)

**References Cited**

U.S. PATENT DOCUMENTS

2015/0233556 A1 8/2015 Danesh  
2016/0348861 A1 12/2016 Bailey  
2017/0138576 A1\* 5/2017 Peng ..... F21S 8/02  
2017/0167672 A1 6/2017 Stauner  
2017/0167699 A1 6/2017 Schubert  
2019/0063701 A1\* 2/2019 Lotfi ..... F21V 23/026

\* cited by examiner

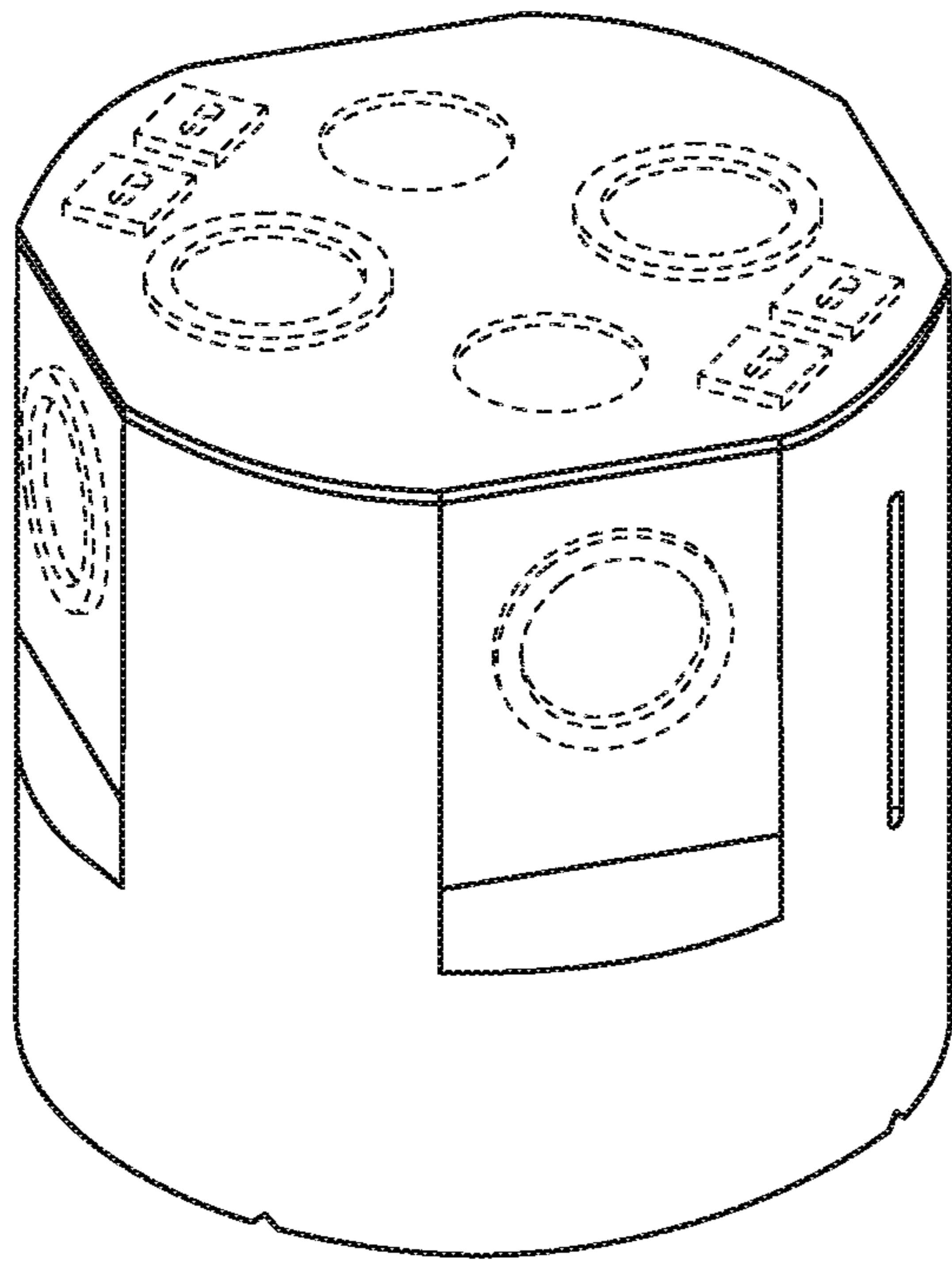


FIG. 1

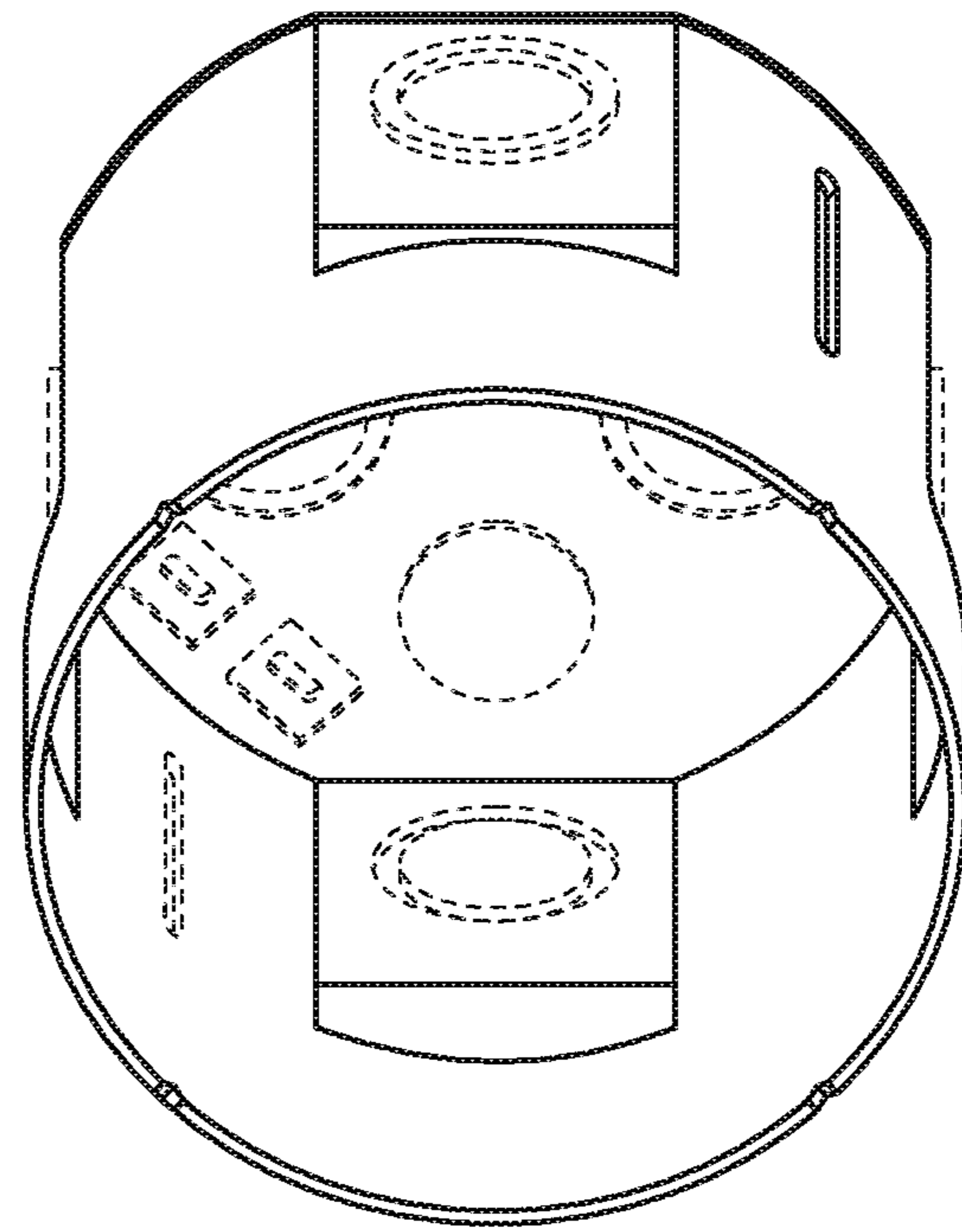


FIG. 2

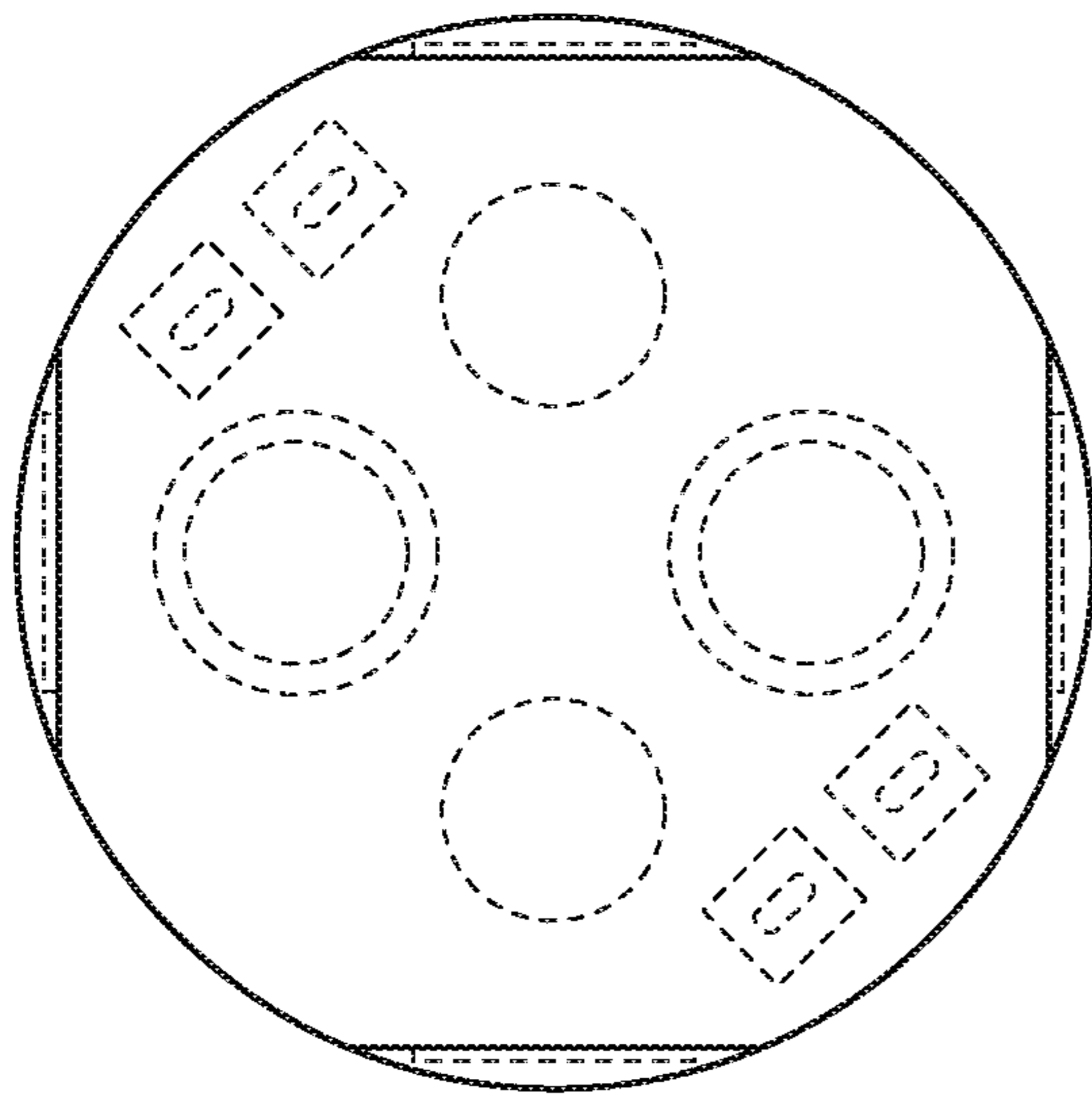


FIG. 3

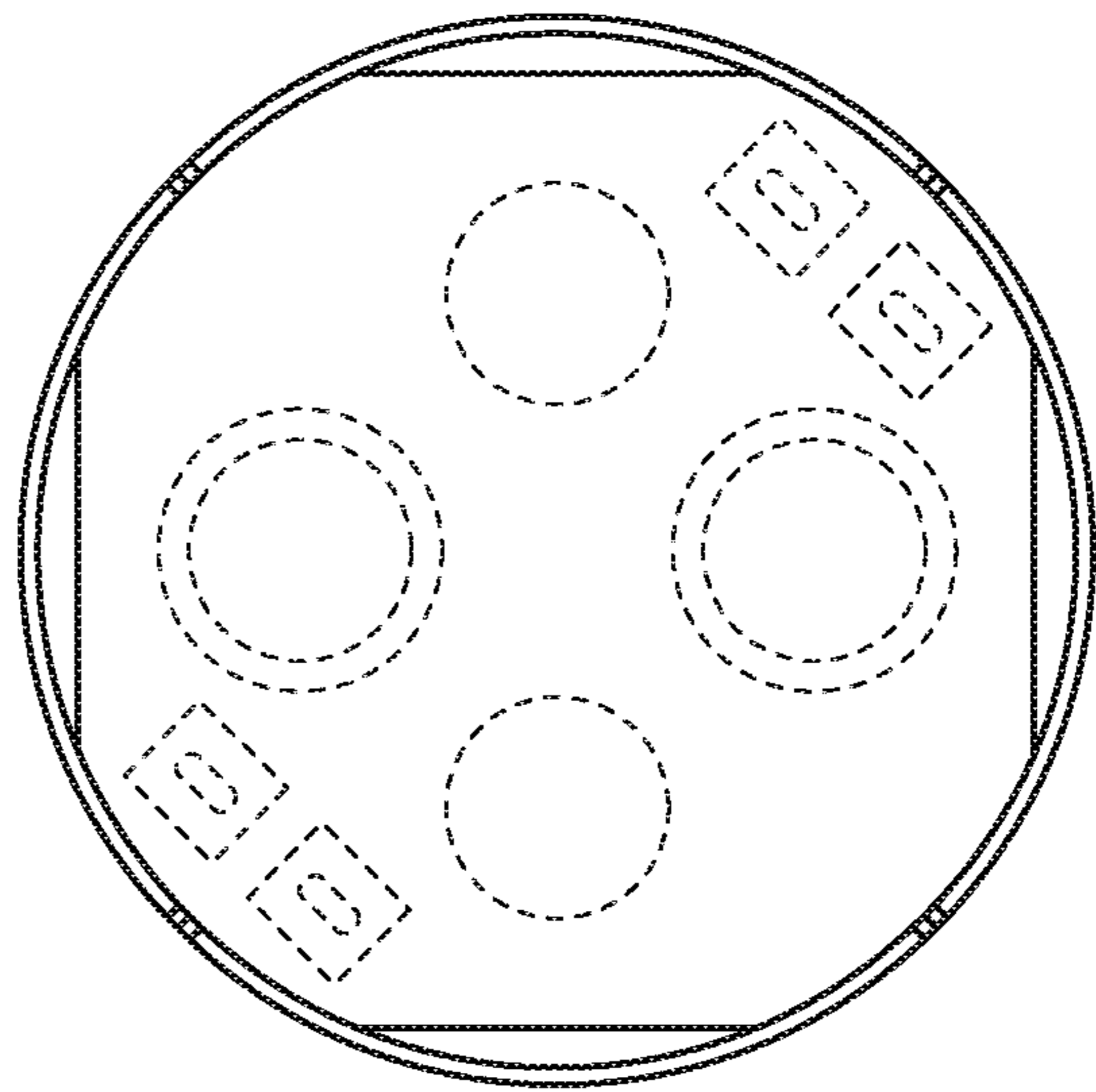


FIG. 4

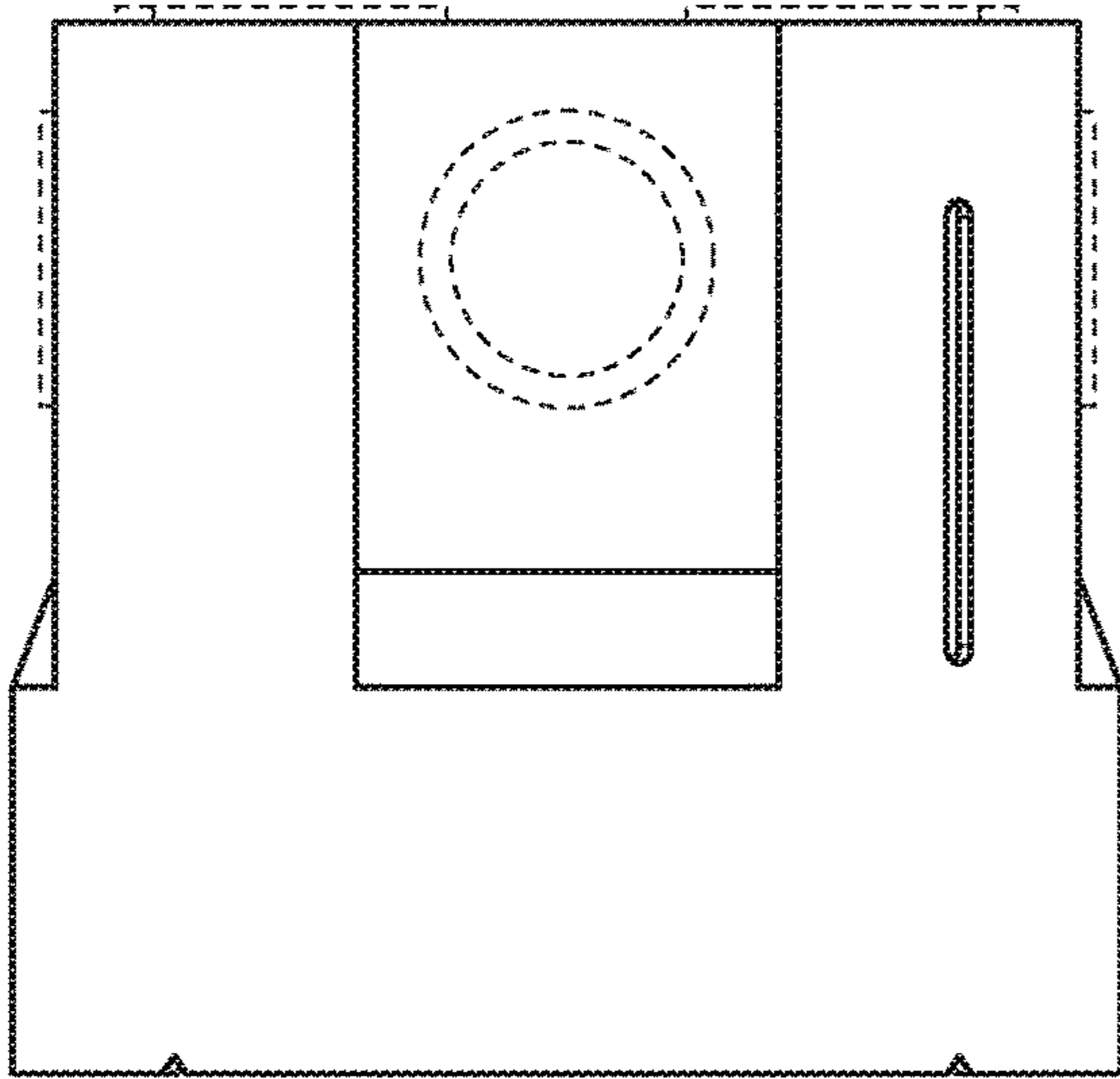


FIG. 5

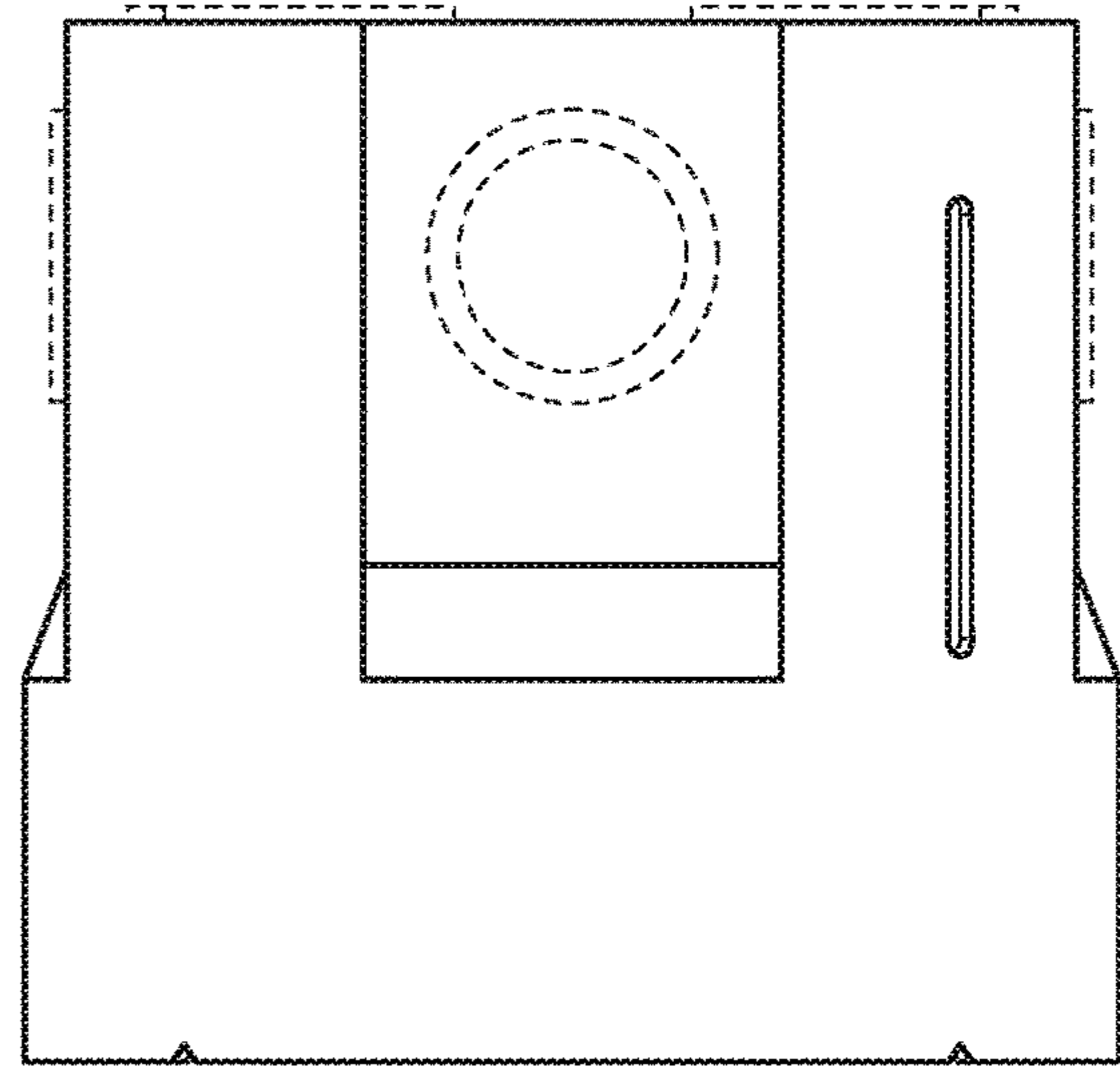


FIG. 6

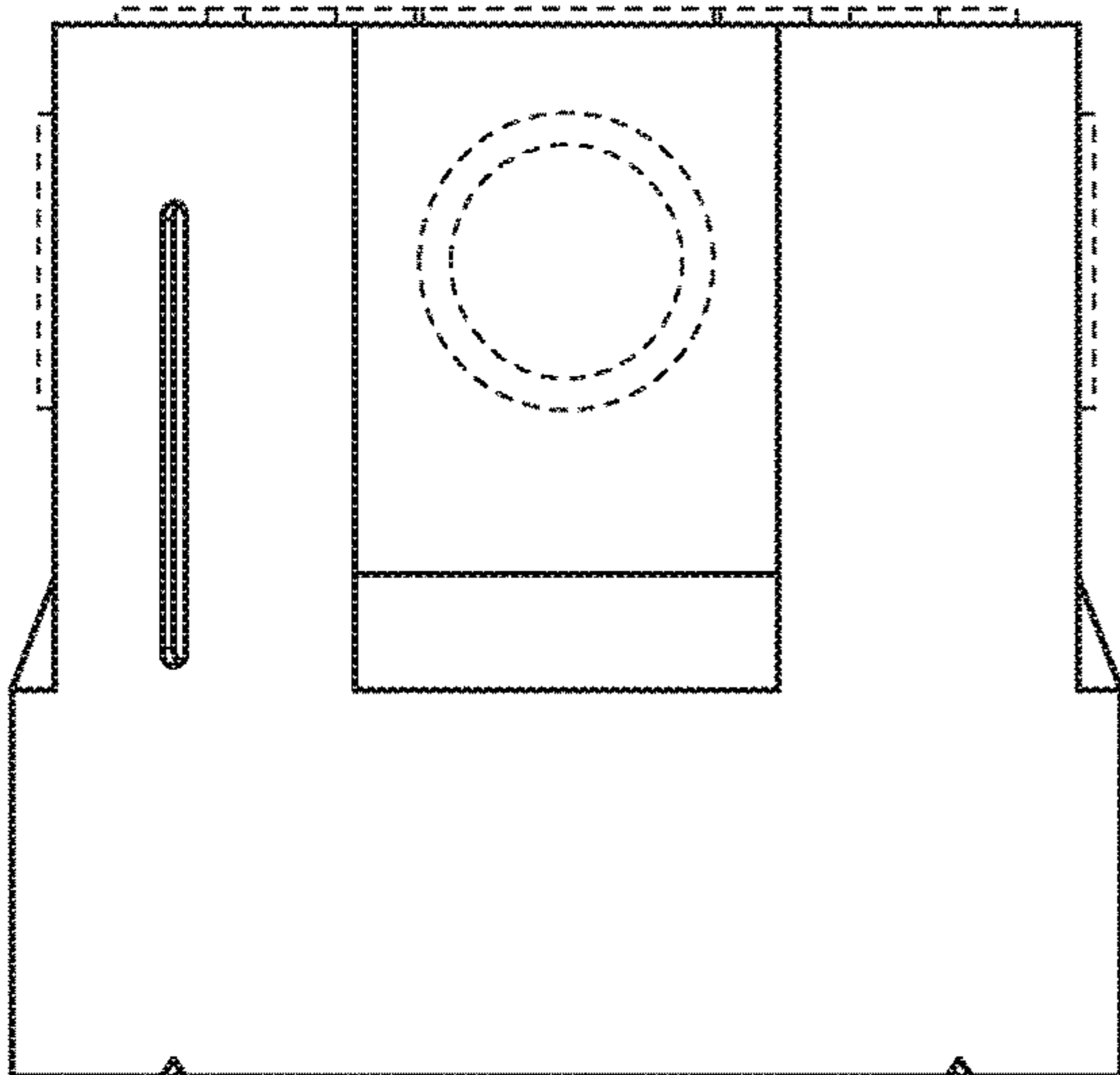


FIG. 7

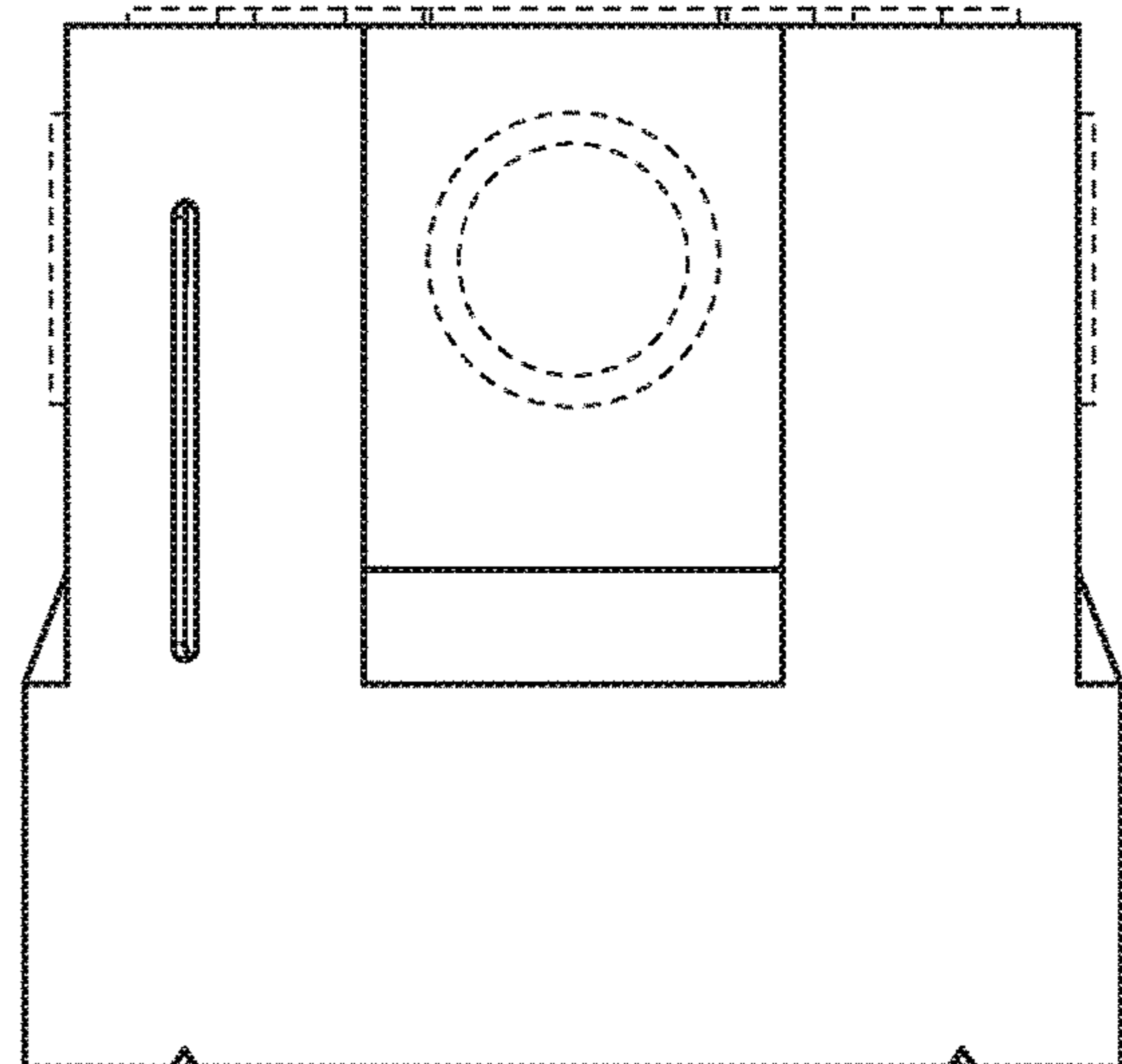


FIG. 8