



US00D892066S

(12) **United States Design Patent**
Reiherzer et al.

(10) **Patent No.:** **US D892,066 S**

(45) **Date of Patent:** **** *Aug. 4, 2020**

(54) **LED PACKAGE**

(71) Applicant: **CREE, INC.**, Durham, NC (US)

(72) Inventors: **Jesse Reiherzer**, Wake Forest, NC (US); **Jeremy Nevins**, Cary, NC (US); **Joseph Clark**, Raleigh, NC (US)

(73) Assignee: **Cree, Inc.**, Durham, NC (US)

(*) Notice: This patent is subject to a terminal disclaimer.

(**) Term: **15 Years**

(21) Appl. No.: **29/655,949**

(22) Filed: **Jul. 9, 2018**

Related U.S. Application Data

(62) Division of application No. 29/511,587, filed on Dec. 11, 2014, now Pat. No. Des. 826,871.

(51) **LOC (12) Cl.** **13-03**

(52) **U.S. Cl.**
USPC **D13/180**

(58) **Field of Classification Search**
USPC D13/180; D26/1
CPC ... H01L 25/167; H01L 25/0753; H01L 27/15;
H01L 27/156; H01L 31/02; H01L 33/00;
H01L 33/04; H01L 33/08; H01L 33/10;
H01L 33/20; H01L 33/38; H01L 33/42;
H01L 33/48; H01L 33/483; H01L 33/486
See application file for complete search history.

(56) **References Cited**

U.S. PATENT DOCUMENTS

6,061,160 A * 5/2000 Maruyama H04B 10/114
313/512
7,224,000 B2 * 5/2007 Aanegola H01L 33/52
257/100
D615,504 S * 5/2010 Keller D13/180

D628,966 S * 12/2010 Kuwaharada D13/180
D631,020 S * 1/2011 Chuang D13/180
D633,631 S * 3/2011 Shieh D26/1
7,943,951 B2 * 5/2011 Kim H01L 33/58
257/100
D645,416 S * 9/2011 Kuwaharada D13/180
D646,235 S * 10/2011 Kuwaharada D13/180
D649,943 S * 12/2011 Kuwaharada D13/180
D650,343 S * 12/2011 Andrews D13/180
D656,906 S * 4/2012 Leung D13/180
D667,802 S * 9/2012 Otaki D13/180
D674,758 S * 1/2013 Wu D13/180
D675,169 S * 1/2013 Chou D13/180
D691,973 S * 10/2013 Donofrio D13/180

(Continued)

Primary Examiner — Selina Sikder

(74) *Attorney, Agent, or Firm* — Ferguson Case Orr
Paterson LLP

(57) **CLAIM**

The ornamental design for LED packages, as shown and described herein.

DESCRIPTION

FIG. 1 is a bottom perspective view of an LED package according to the present invention.

FIG. 2 is a top view of the LED package shown in FIG. 1. FIG. 3 is a bottom view of the LED package shown in FIG. 1.

FIG. 4 is a front elevation view of the LED package shown in FIG. 1.

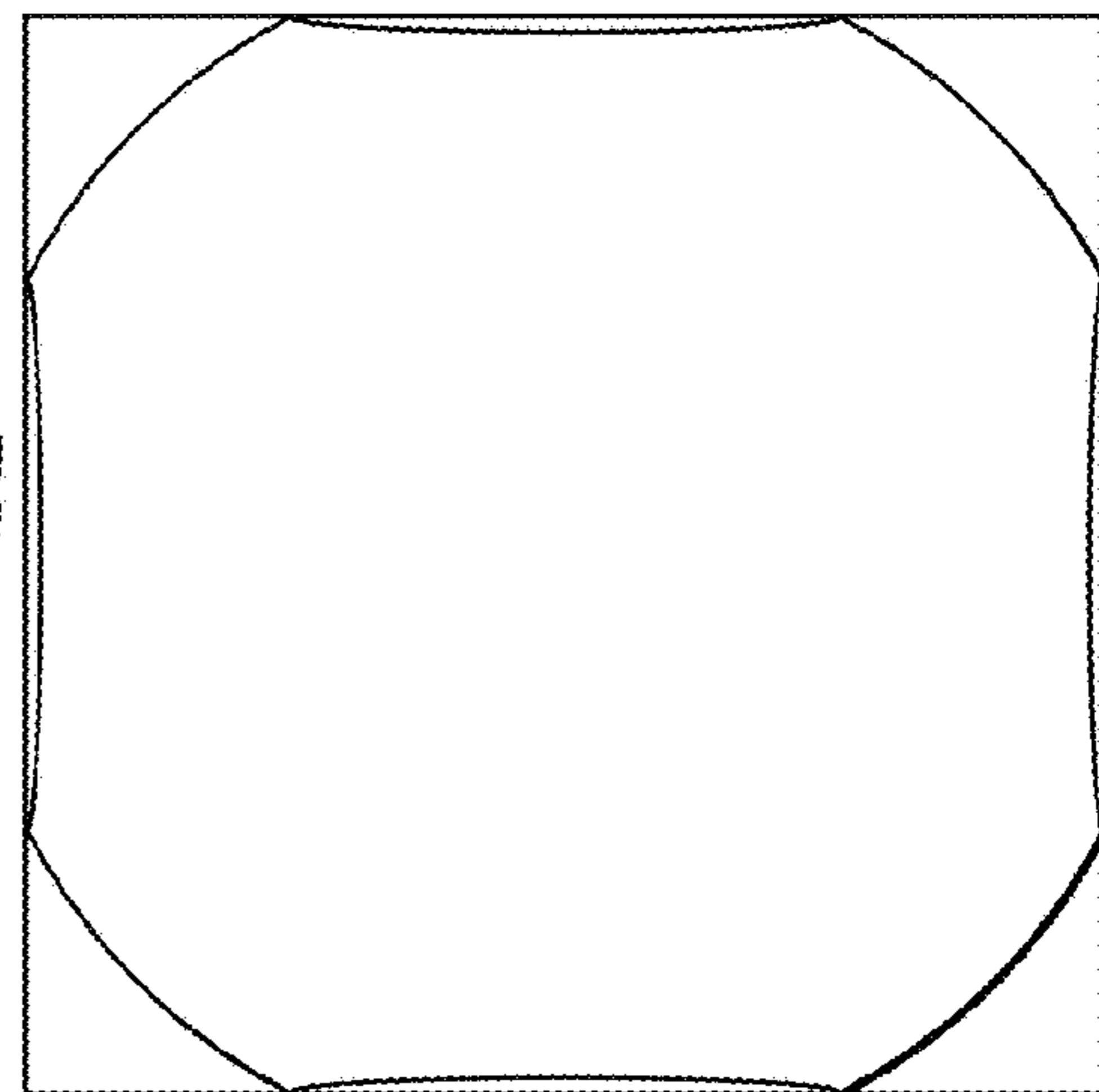
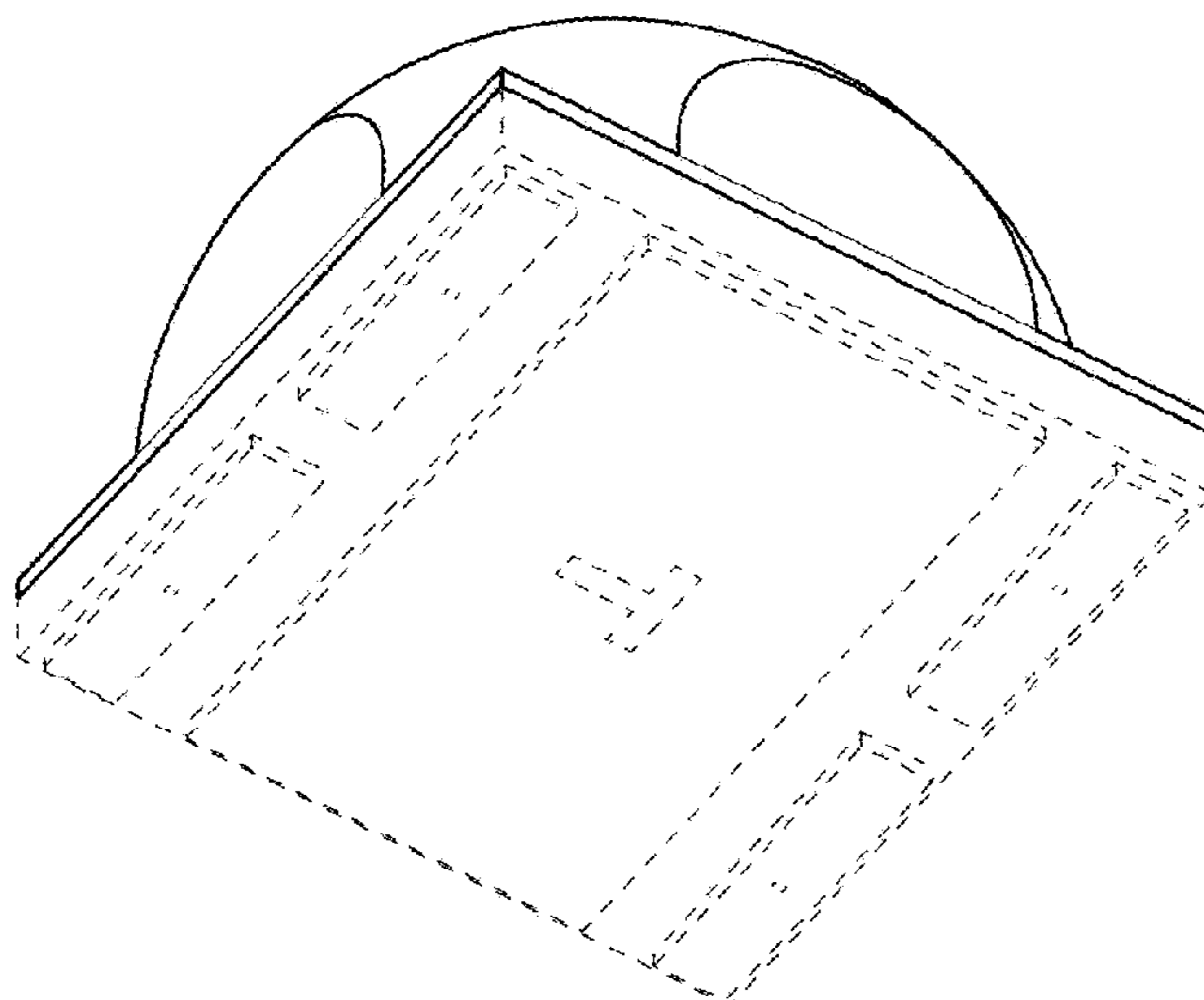
FIG. 5 is a right side elevation view of the LED package shown in FIG. 1.

FIG. 6 is a back elevation view of the LED package shown in FIG. 1; and,

FIG. 7 is a left side elevation view of the LED package shown in FIG. 1.

The broken lines in the drawings are included to show portions of the article that form no part of the claimed design.

1 Claim, 2 Drawing Sheets



(56)

References Cited

U.S. PATENT DOCUMENTS

D703,348 S * 4/2014 Reihherzer D26/2
D704,154 S * 5/2014 Andrews D13/180
8,748,915 B2 * 6/2014 Chan C09K 11/7731
257/91
D713,804 S * 9/2014 Britt D13/180
D718,725 S * 12/2014 Reihherzer D13/180
D746,240 S * 12/2015 Bergmann D13/180
9,385,286 B2 * 7/2016 Markytan G02B 27/0955
9,638,852 B2 * 5/2017 Sakai G02B 6/0011
D790,486 S * 6/2017 Reihherzer D13/180
D800,679 S * 10/2017 Omori D13/180
D826,871 S * 8/2018 Reihherzer D13/180
2004/0041222 A1 * 3/2004 Loh H01L 33/58
257/433
2004/0079957 A1 * 4/2004 Andrews H01L 33/486
257/100
2004/0227149 A1 * 11/2004 Ibbetson H01L 33/54
257/100
2009/0108281 A1 * 4/2009 Keller H01L 33/64
257/98
2010/0232166 A1 * 9/2010 Ho F21V 5/04
362/335
2012/0032202 A1 * 2/2012 Ogata G02F 1/133603
257/88
2013/0328074 A1 * 12/2013 Lowes H01L 27/15
257/89

* cited by examiner

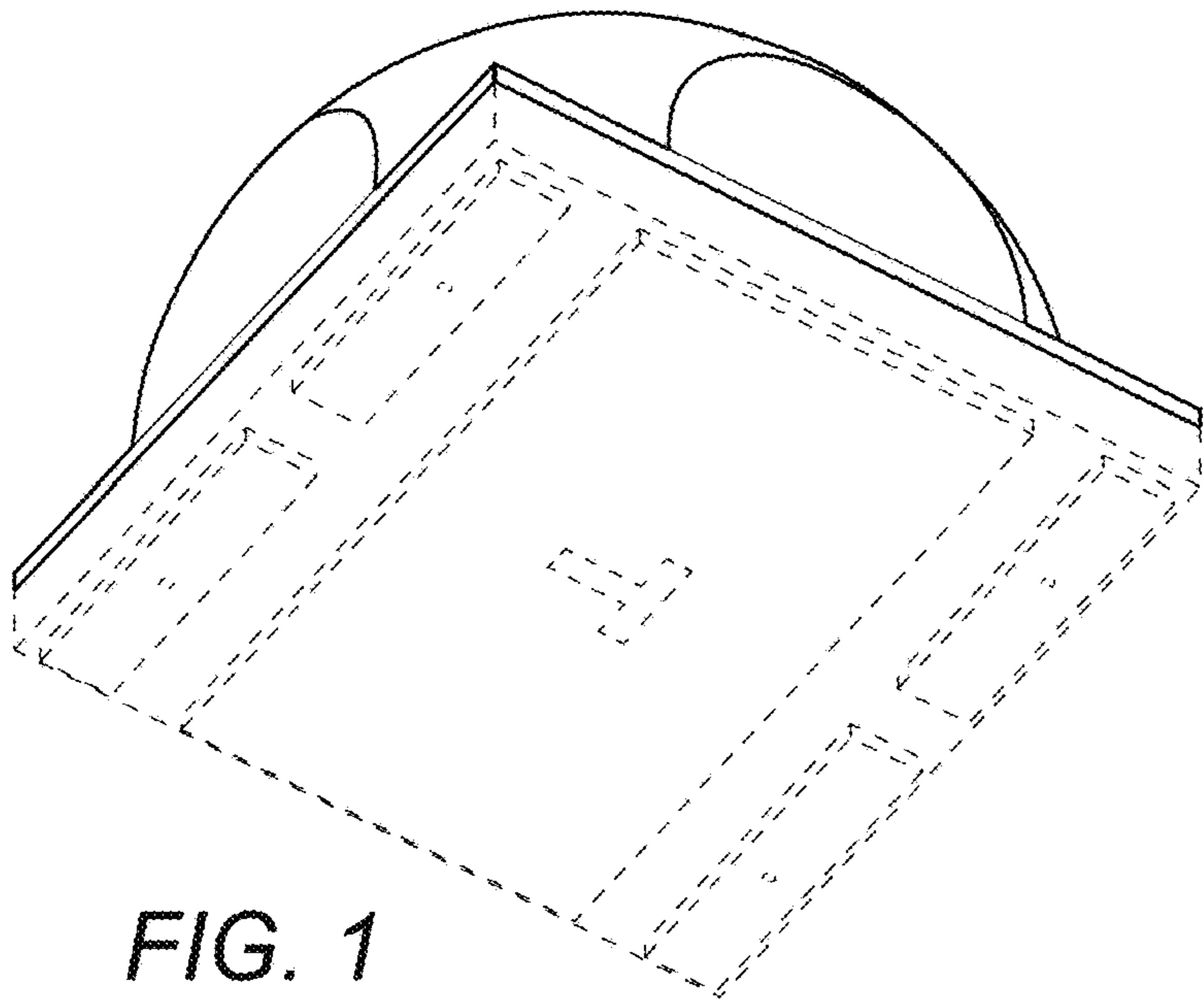


FIG. 1

FIG. 2

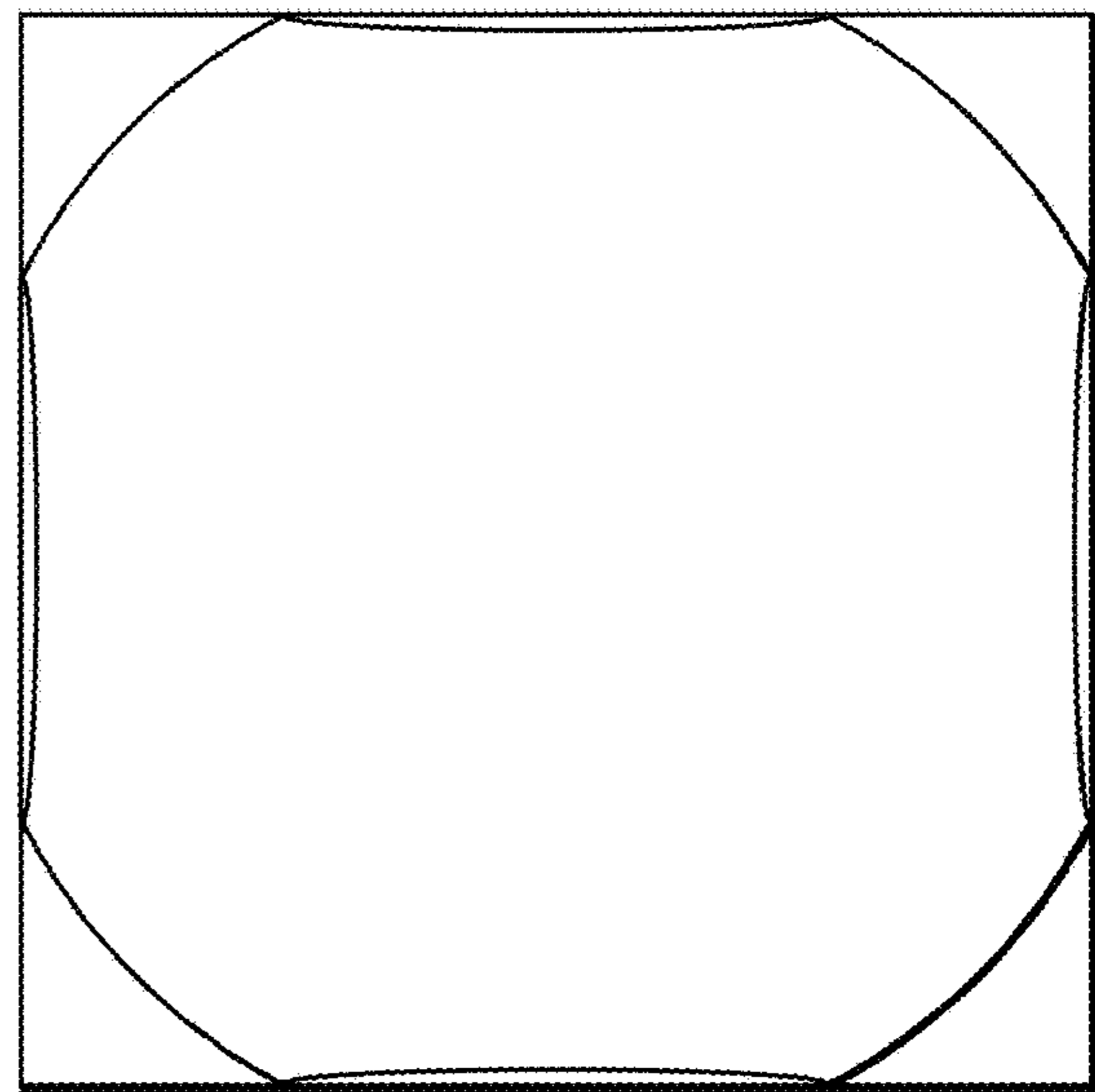
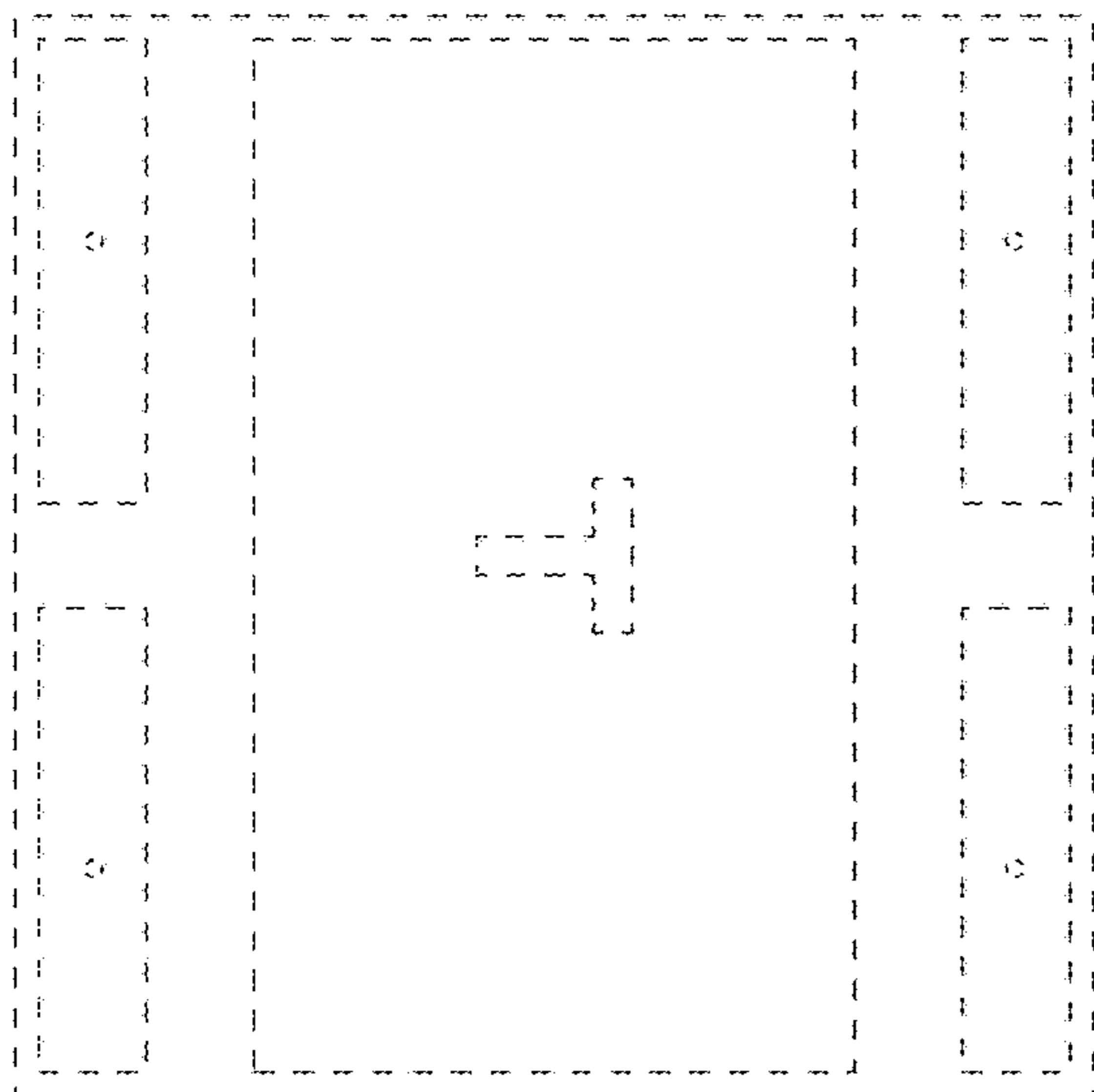


FIG. 3



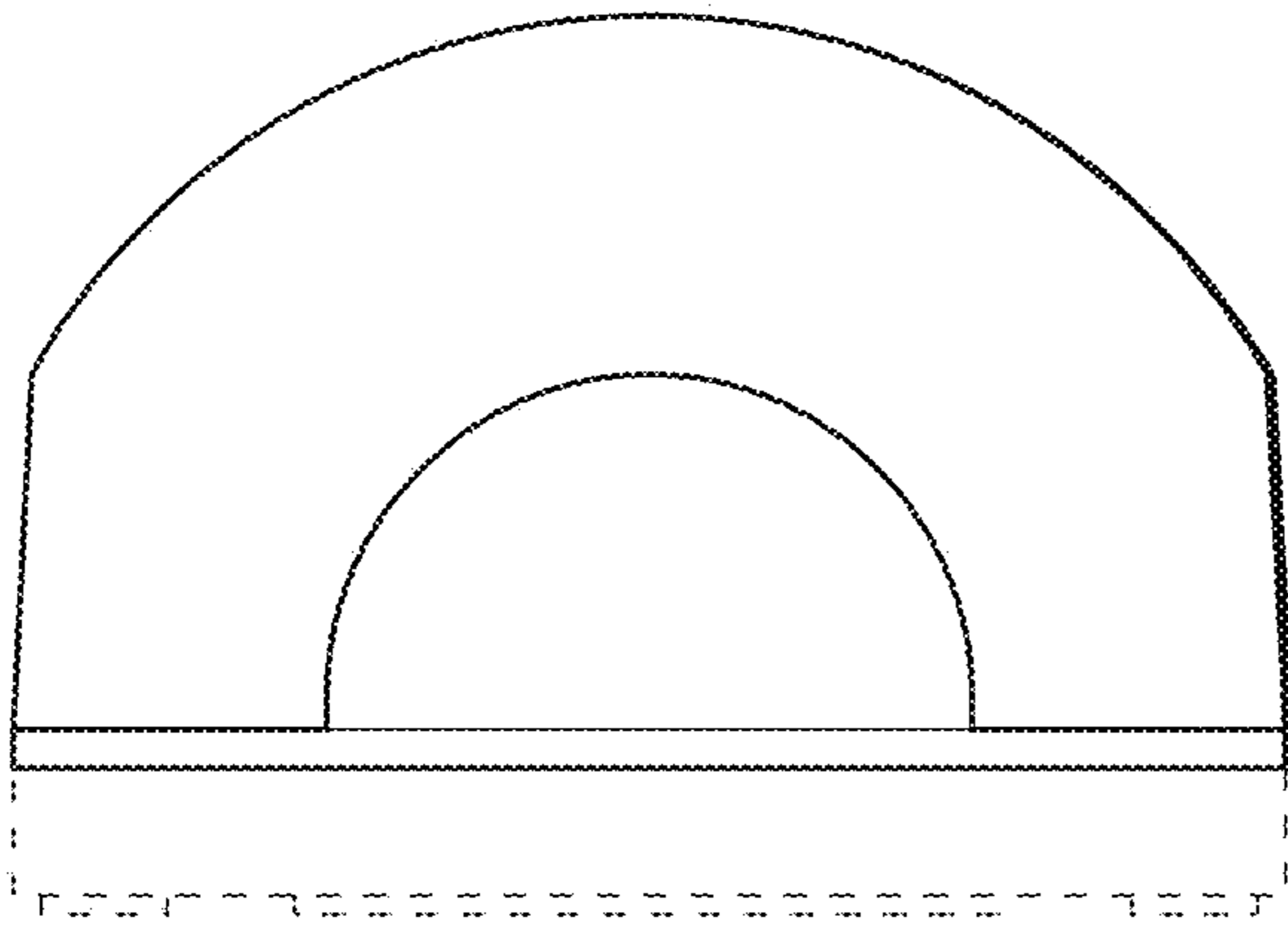


FIG. 4

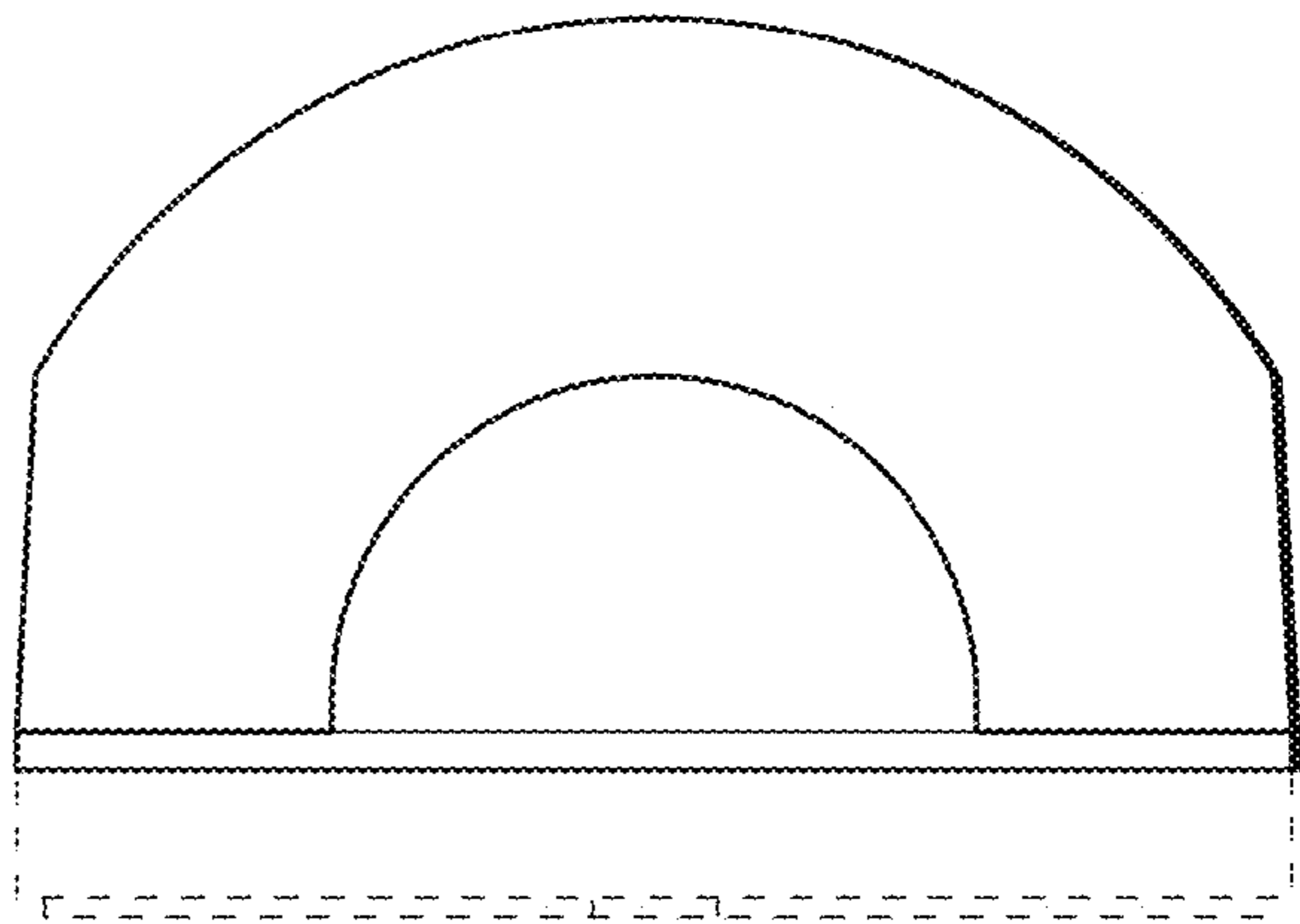


FIG. 5

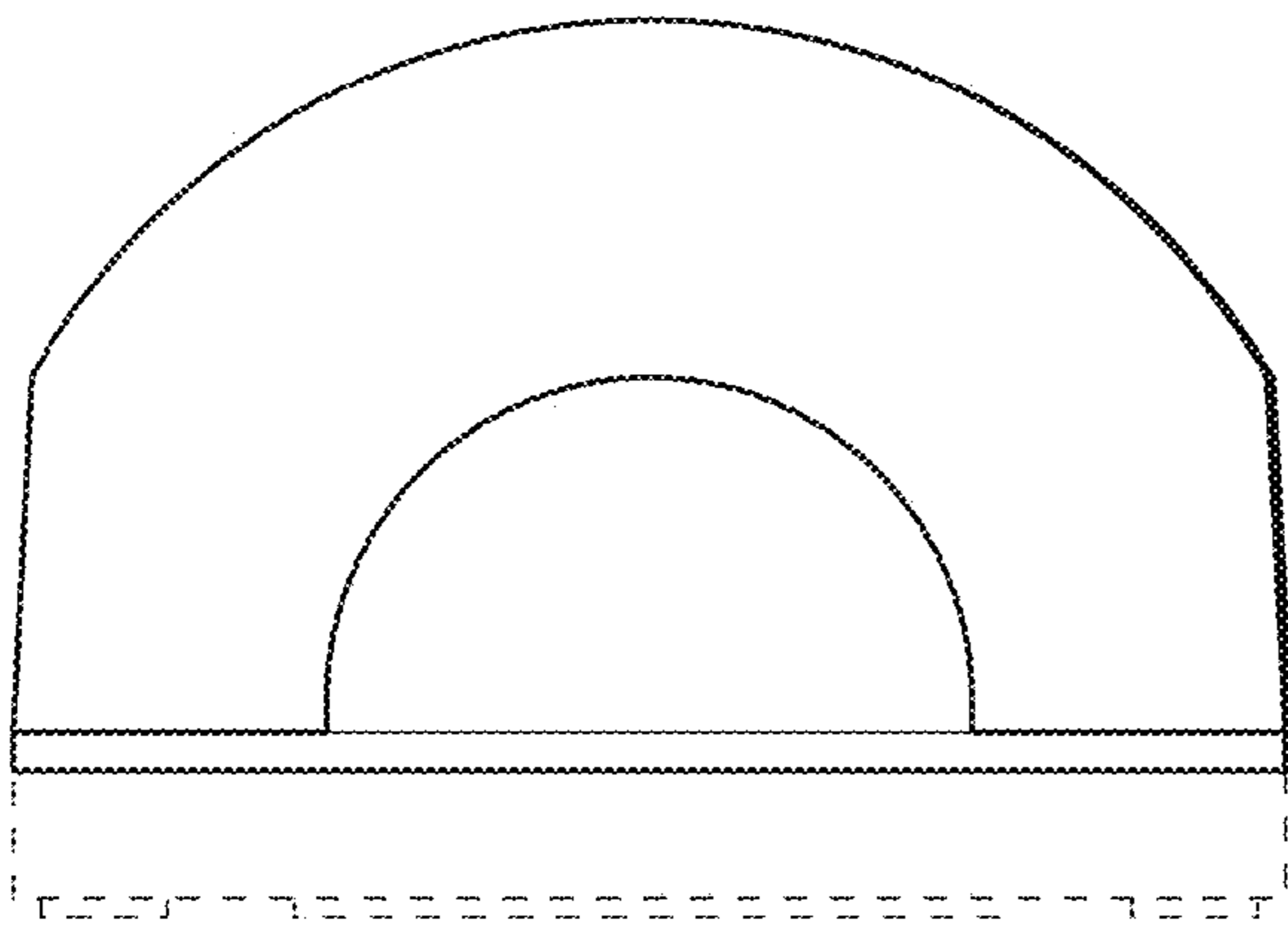


FIG. 6

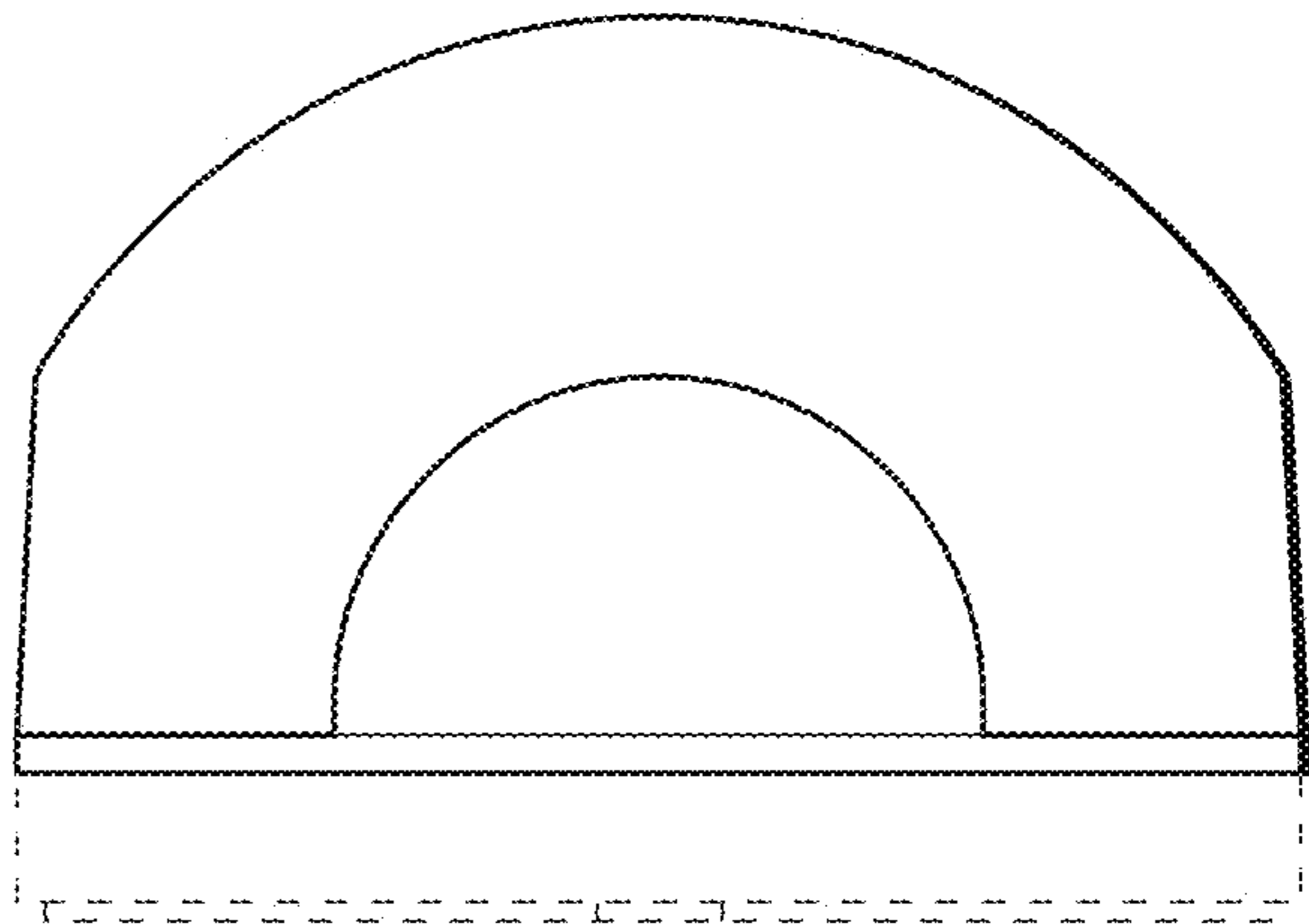


FIG. 7