

US00D892064S

(12) **United States Design Patent**
Tang

(10) **Patent No.:** **US D892,064 S**

(45) **Date of Patent:** **** Aug. 4, 2020**

(54) **WIRELESS CONNECTION LAMP
CONTROLLER**

D830,979 S *	10/2018	Hung	D13/171
D840,954 S *	2/2019	Wu	D13/168
D875,692 S *	2/2020	Shi	D13/168
2011/0050106 A1 *	3/2011	Yang	H05B 39/04 315/133

(71) Applicant: **Juhua Tang**, Guangdong (CN)

(72) Inventor: **Juhua Tang**, Guangdong (CN)

* cited by examiner

(**) Term: **15 Years**

Primary Examiner — Selina Sikder

(21) Appl. No.: **29/674,409**

(22) Filed: **Dec. 21, 2018**

(51) **LOC (12) Cl.** **14-03**

(52) **U.S. Cl.**
USPC **D13/168**

(58) **Field of Classification Search**

USPC D13/108, 168, 171; D14/155, 188, 205,
D14/206, 218, 223

CPC H03J 1/0025; H03J 9/00; H03J 9/02; H03J
9/04; H03J 9/06; H01H 9/0228; H01H
9/0235; H01H 15/24; H04B 1/202; G05B
11/01; G08C 17/00; G08C 17/02; G08C
19/28; G08C 23/04; H04M 1/6058; H04R
1/1041

See application file for complete search history.

(56) **References Cited**

U.S. PATENT DOCUMENTS

D307,579 S *	5/1990	Layne	D13/137.3
D818,971 S *	5/2018	Peng	D13/171

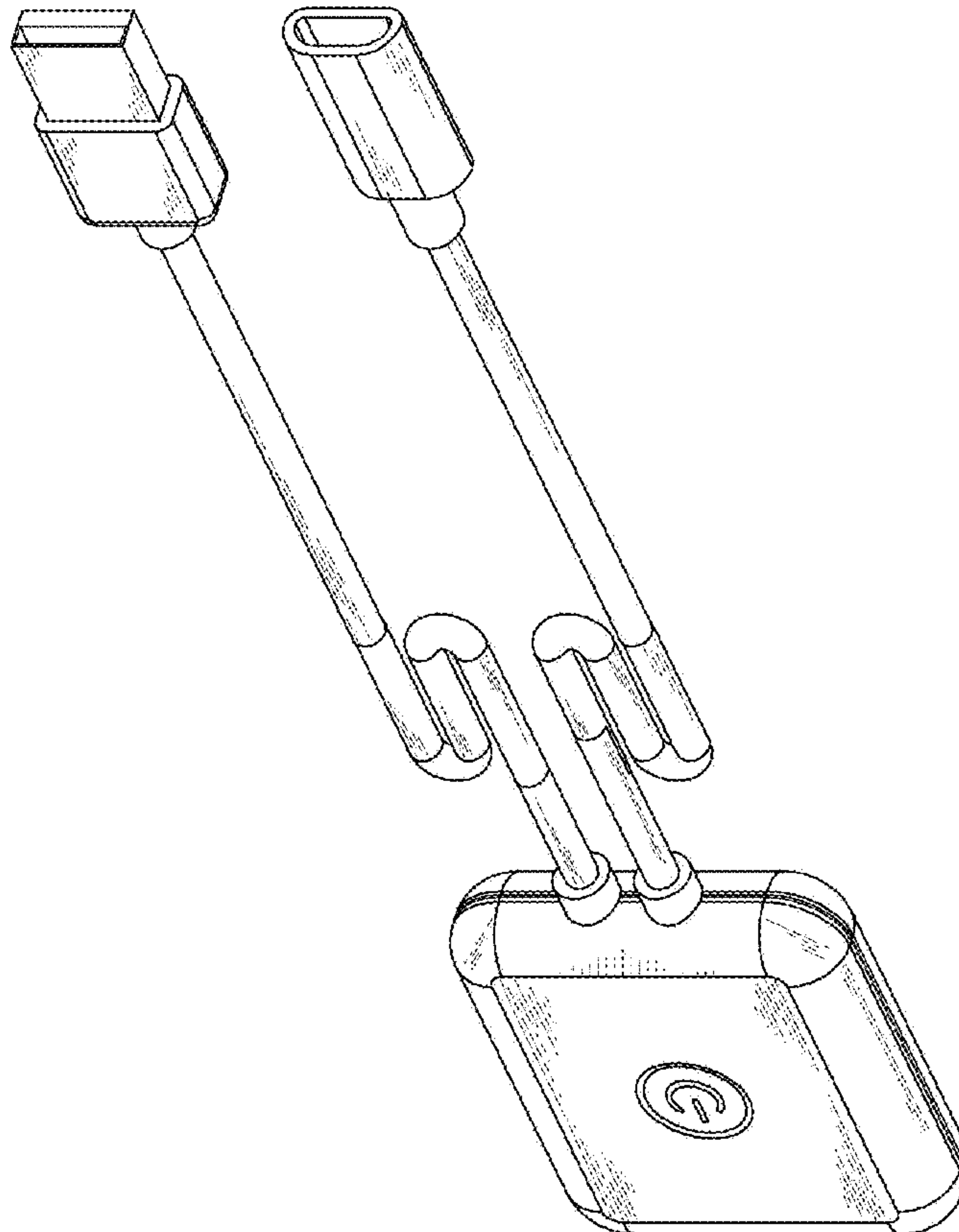
(57) **CLAIM**

The ornamental design for a wireless connection lamp controller, as shown and described.

DESCRIPTION

FIG. 1 is a perspective view of a wireless connection lamp controller showing my new design;
FIG. 2 is a front elevation view thereof;
FIG. 3 is a rear elevation view thereof;
FIG. 4 is a left side elevation view thereof;
FIG. 5 is a right side elevation view thereof;
FIG. 6 is a top plan view thereof, shown enlarged in scale;
and,
FIG. 7 is a bottom plan view thereof, shown enlarged in scale.

1 Claim, 7 Drawing Sheets



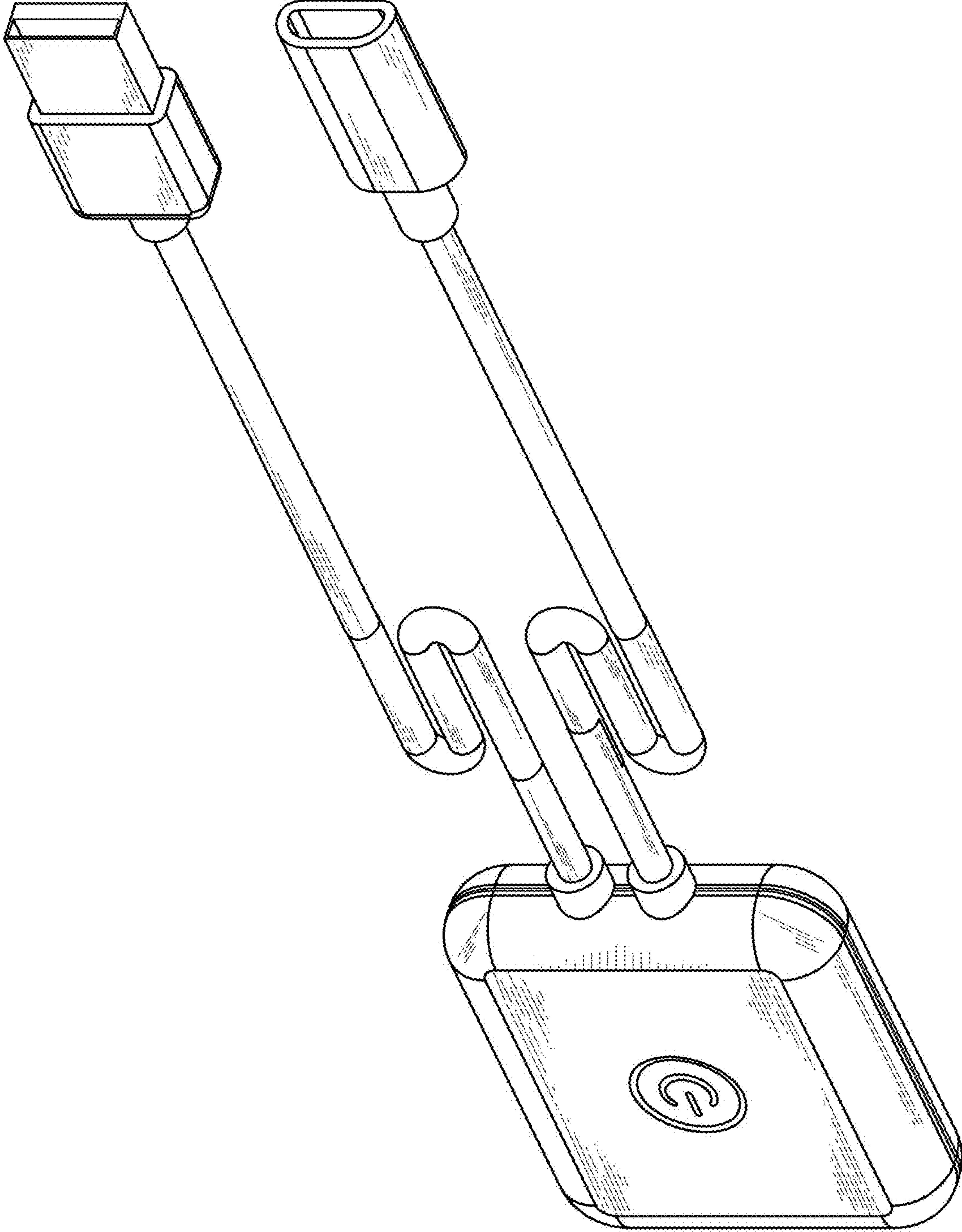


FIG.1

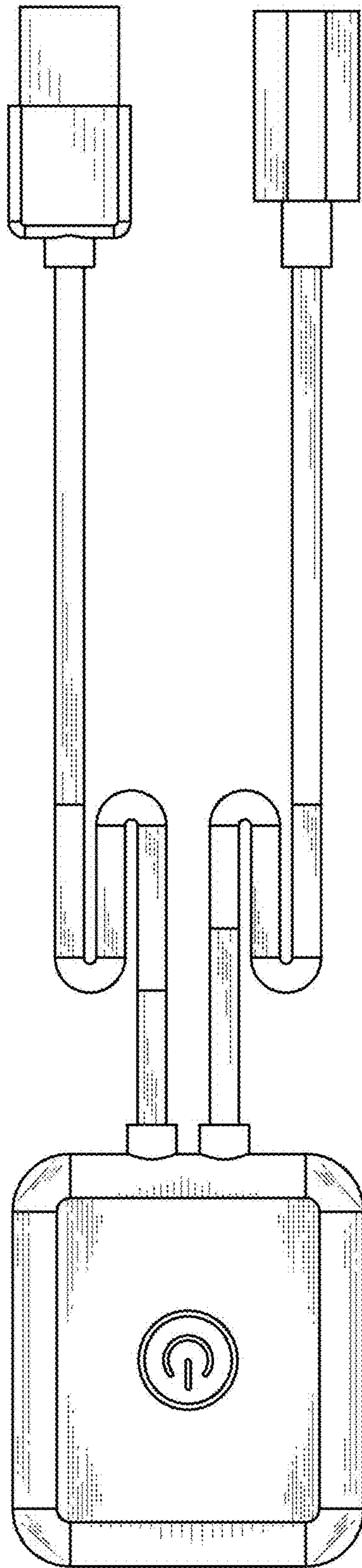


FIG.2

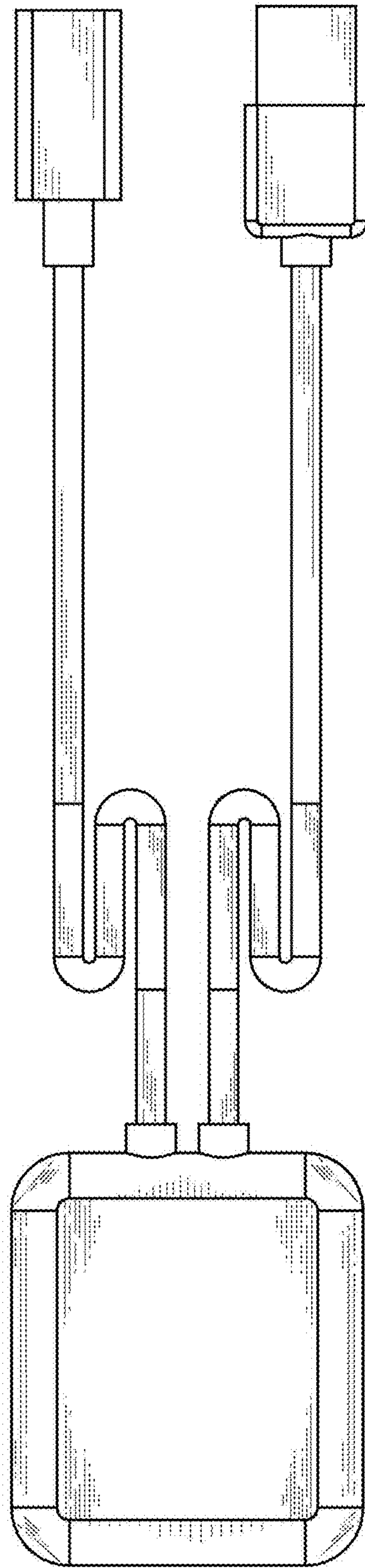


FIG.3

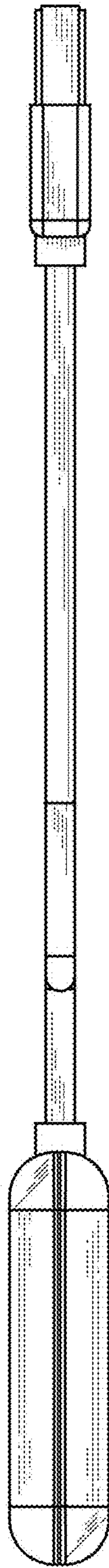


FIG.4

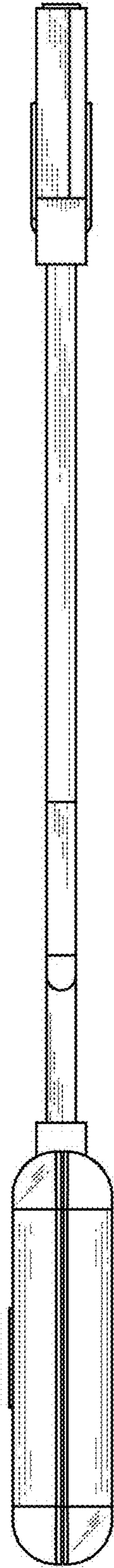


FIG.5

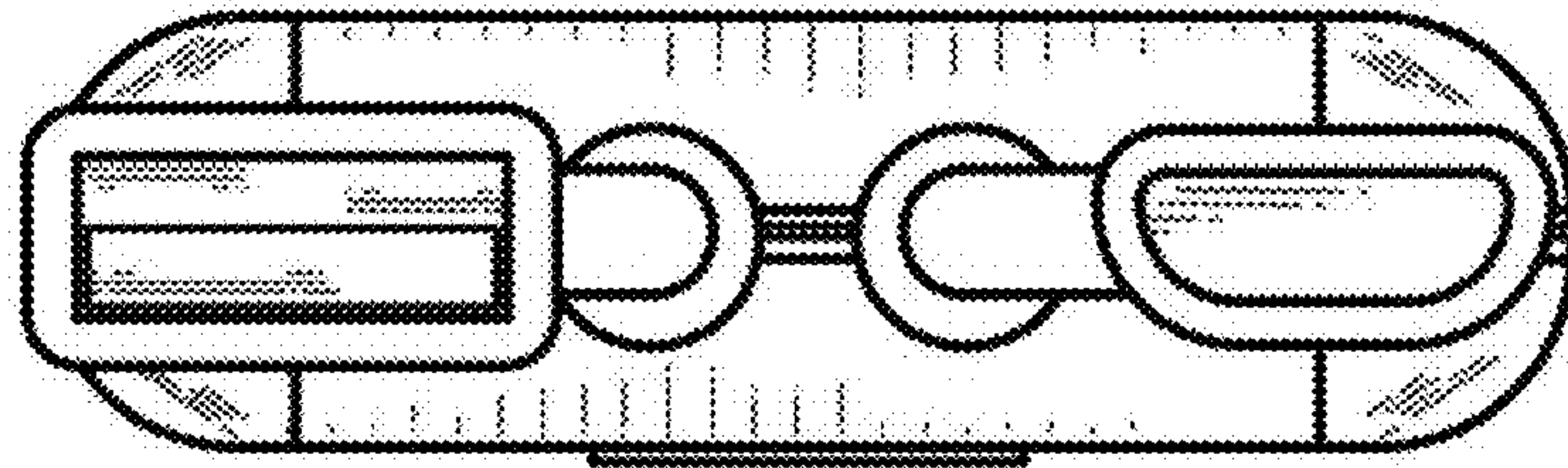


FIG.6

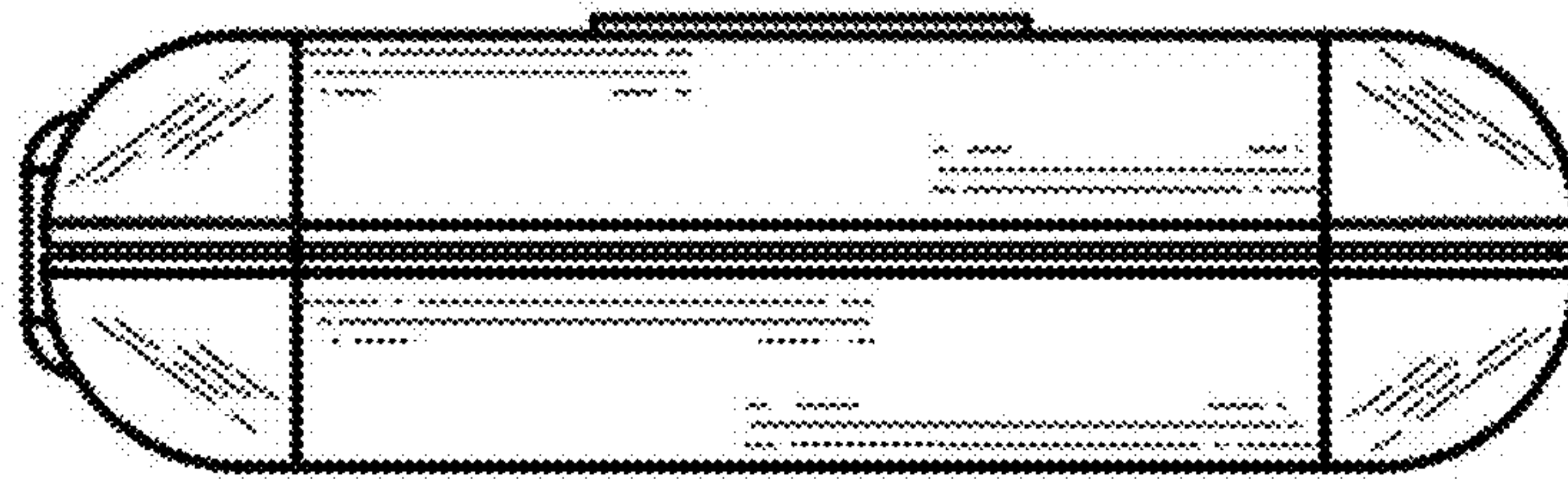


FIG. 7