

US00D892063S

(12) **United States Design Patent** (10) **Patent No.:** **US D892,063 S**  
**McRoberts** (45) **Date of Patent:** **\*\* Aug. 4, 2020**

(54) **WALL CONTROLLER** D633,874 S 3/2011 Feldstein et al.  
D638,375 S 5/2011 Clymer et al.  
(71) Applicant: **HUNTER FAN COMPANY,** D649,520 S 11/2011 Jacoby et al.  
Memphis, TN (US) D654,030 S 2/2012 Hoffknecht et al.  
D657,319 S 4/2012 Feldstein et al.  
(72) Inventor: **Claire Bernice McRoberts,** Memphis, D709,030 S \* 7/2014 Lillington ..... D13/118  
TN (US) D714,736 S 10/2014 O'Donnell  
D733,668 S 7/2015 Altonen et al.  
D734,277 S 7/2015 Jacoby et al.  
(73) Assignee: **Hunter Fan Company,** Memphis, TN 9,230,757 B2 \* 1/2016 Rego ..... H01H 23/04  
(US) D755,133 S 5/2016 Altonen et al.  
D755,739 S 5/2016 Altonen et al.  
(\*\*) Term: **15 Years** (Continued)

(21) Appl. No.: **29/615,786**  
(22) Filed: **Aug. 31, 2017**

**Related U.S. Application Data**

(63) Continuation of application No. 29/582,449, filed on Oct. 17, 2016, now Pat. No. Des. 799,432.  
(51) **LOC (12) Cl.** ..... **13-03**  
(52) **U.S. Cl.**  
USPC ..... **D13/162**  
(58) **Field of Classification Search**  
USPC ..... D13/162, 164, 171, 174  
CPC ..... H01H 3/02; H01H 3/0213; H01H 3/12;  
H01H 3/122; H01H 9/02; H01H 9/16;  
H01H 9/161; H01H 9/18; H05B 33/0803;  
H05B 33/0863; H05B 37/0227; H05B  
37/0272; H05B 39/02; H05B 39/085;  
H05B 39/086; H05B 39/088  
See application file for complete search history.

(56) **References Cited**

**U.S. PATENT DOCUMENTS**

D327,657 S \* 7/1992 Marcou ..... D10/106.8  
D412,492 S 8/1999 Gatchell  
6,593,560 B2 7/2003 Misek  
7,312,695 B2 12/2007 Lehmer et al.  
7,416,310 B1 \* 8/2008 Savicki, Jr. .... H01H 3/0213  
200/317  
D600,656 S \* 9/2009 Altonen ..... D13/170

**OTHER PUBLICATIONS**

<http://www.homedepot.com/p/Hampton-Bay-Universal-Ceiling-Fan-Wireless-Wall-Control-68109/205846346>, Item Specification for Hampton Bay Universal Ceiling Fan Wireless Wall Control, Model No. 68109, Accessed on Oct. 27, 2016.  
(Continued)

*Primary Examiner* — Selina Sikder  
(74) *Attorney, Agent, or Firm* — McGarry Bair PC

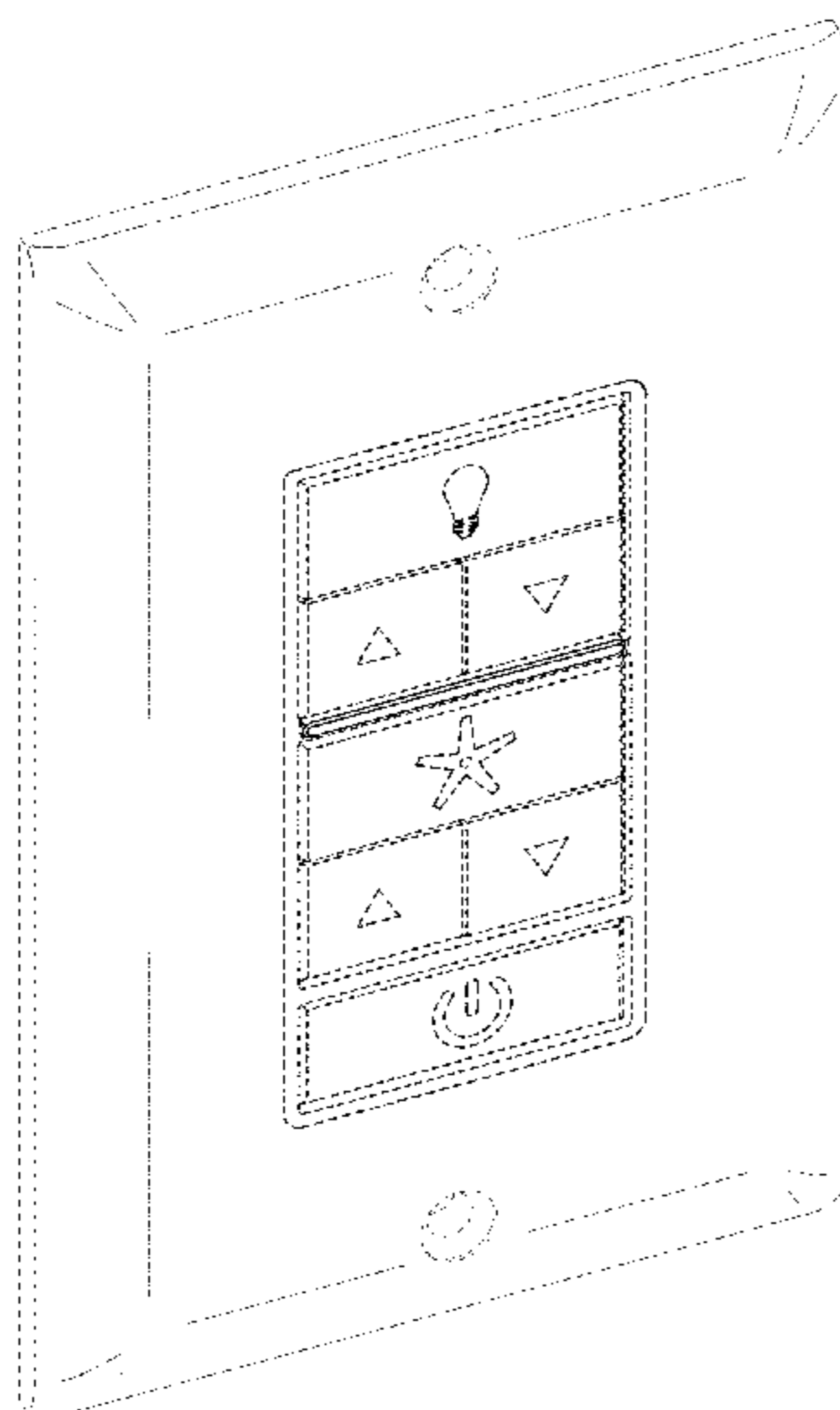
(57) **CLAIM**

The ornamental design for a wall controller, as shown and described.

**DESCRIPTION**

FIG. 1 is a top perspective view of a wall controller; FIG. 2 is a bottom perspective view of the wall controller of FIG. 1; and, FIG. 3 is a front view of the wall controller of FIG. 1. The top, bottom, side, and rear views contain no claimed subject matter and are therefore excluded from the application. Portions of the design shown in broken lines form no part of the claimed design.

**1 Claim, 3 Drawing Sheets**



(56)

**References Cited**

U.S. PATENT DOCUMENTS

D781,792 S 3/2017 Okawa  
2009/0100859 A1\* 4/2009 Choi ..... F25D 29/005  
62/440  
2011/0058193 A1 3/2011 Shiraiishi

OTHER PUBLICATIONS

<http://www.homedepot.com/p/Hunter-Fan-Light-Wall-Remote-Control-99120/204468846>, Item Specification for Hunter Fan Light Wall Remote Control, Model No. 99120, Accessed on Oct. 27, 2016.

<http://www.fanimation.com/products/index.php/controls-remotes/wall-mount-control/tw206.html>, Item Specification for TW206 Fan and Light Wall Control, Model No. TW206, Accessed on Oct. 27, 2016.

<http://ceilingfans.emerson.com/shop/en/fan/six-speed-led-wall-control-fan-sw605>, Item Specification for Six-Speed LED Wall Control, Model No. SW605, Accessed on Oct. 27, 2016.

[http://www.lowes.com/pd\\_607425-19478-MCRC4RW\\_1z0rsum?productId=50226483&pl=1](http://www.lowes.com/pd_607425-19478-MCRC4RW_1z0rsum?productId=50226483&pl=1), Item Specification for Monte Carlo Fan Company Wall-Mount Ceiling Fan Remote, Model No. MCRC4RW, Accessed on Oct. 27, 2016.

\* cited by examiner

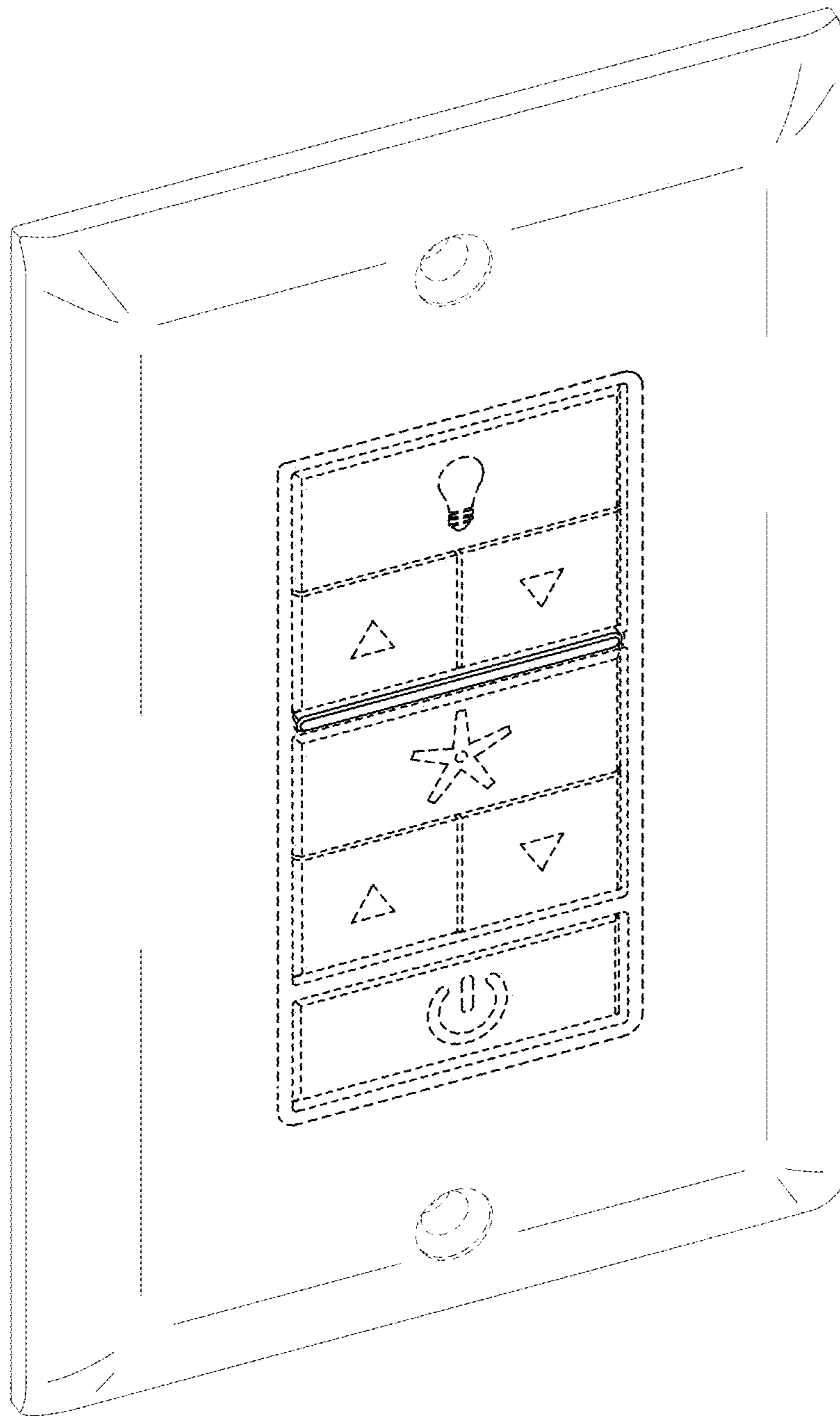


FIG. 1

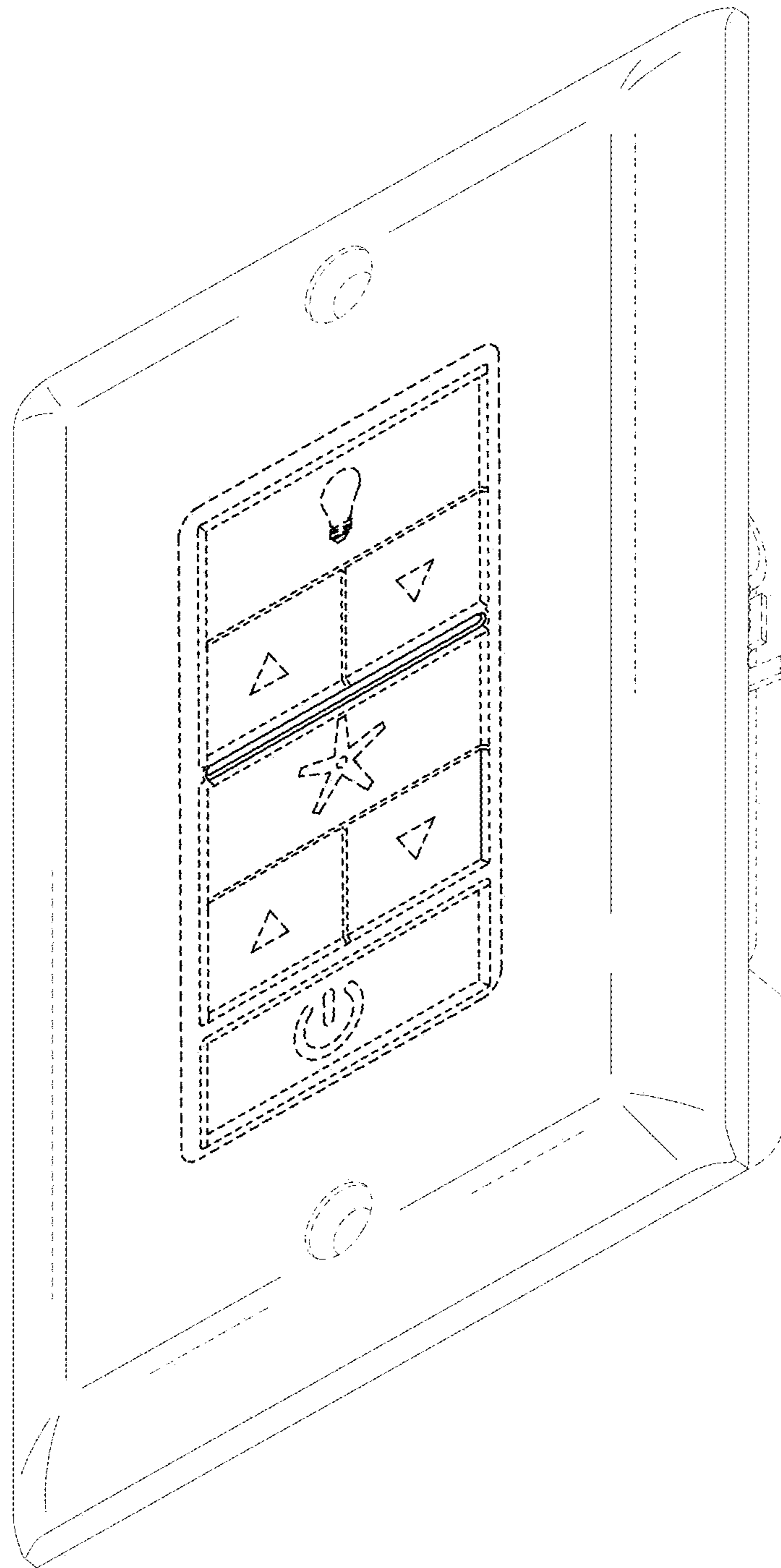


FIG.2

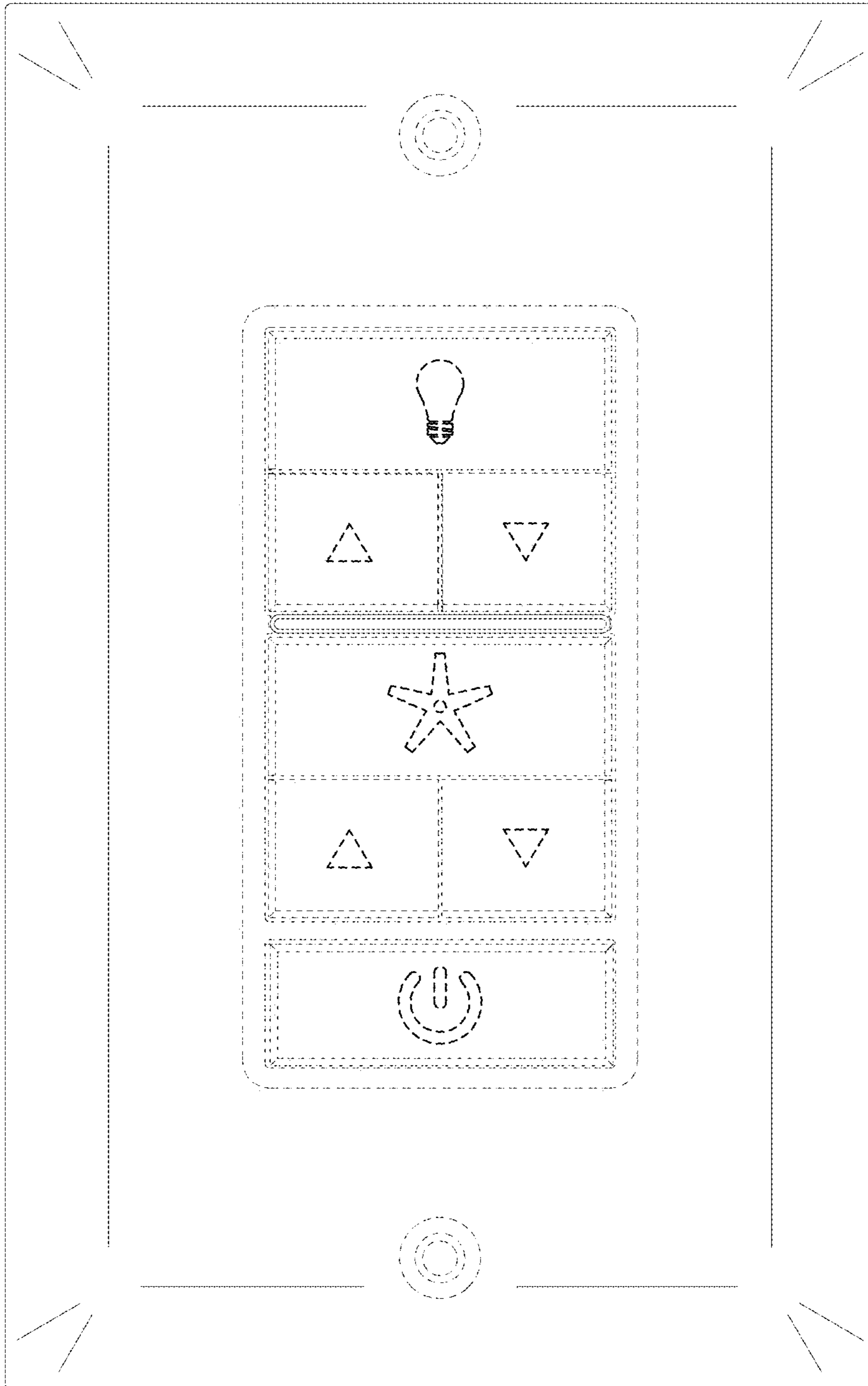


FIG.3