



US00D892062S

(12) **United States Design Patent** (10) **Patent No.:** **US D892,062 S**  
**Madsen et al.** (45) **Date of Patent:** **\*\* Aug. 4, 2020**

(54) **POWER OUTLET COVER**  
(71) Applicants: **Melody Ann Madsen**, Albuquerque, NM (US); **Carl Damgren Madsen**, Albuquerque, NM (US)  
(72) Inventors: **Melody Ann Madsen**, Albuquerque, NM (US); **Carl Damgren Madsen**, Albuquerque, NM (US)  
(73) Assignee: **eSolutions Corporation**, Rio Rancho, NM (US)  
(\*\*) Term: **15 Years**  
(21) Appl. No.: **29/633,816**  
(22) Filed: **Jan. 16, 2018**  
(51) **LOC (12) Cl.** ..... **13-03**  
(52) **U.S. Cl.**  
USPC ..... **D13/156**  
(58) **Field of Classification Search**  
USPC ..... D13/120, 121, 123, 133, 154, 156, 158, D13/160, 173, 178, 184, 199  
CPC ..... H01R 13/424; H01R 13/436; H01R 13/4362; H01R 13/5213; H01R 13/6392; H01R 43/205  
See application file for complete search history.

D765,037 S \* 8/2016 Hebert ..... D13/156  
D783,542 S \* 4/2017 Marsden ..... H01R 13/447  
D795,044 S \* 8/2017 McNutt ..... D13/156  
D803,667 S \* 11/2017 Chen ..... D8/356  
(Continued)

*Primary Examiner* — Ian Simmons  
*Assistant Examiner* — Jennifer O King  
(74) *Attorney, Agent, or Firm* — Lee & Hayes, P.C.

(57) **CLAIM**

The ornamental design for a power outlet cover, as shown and described.

**DESCRIPTION**

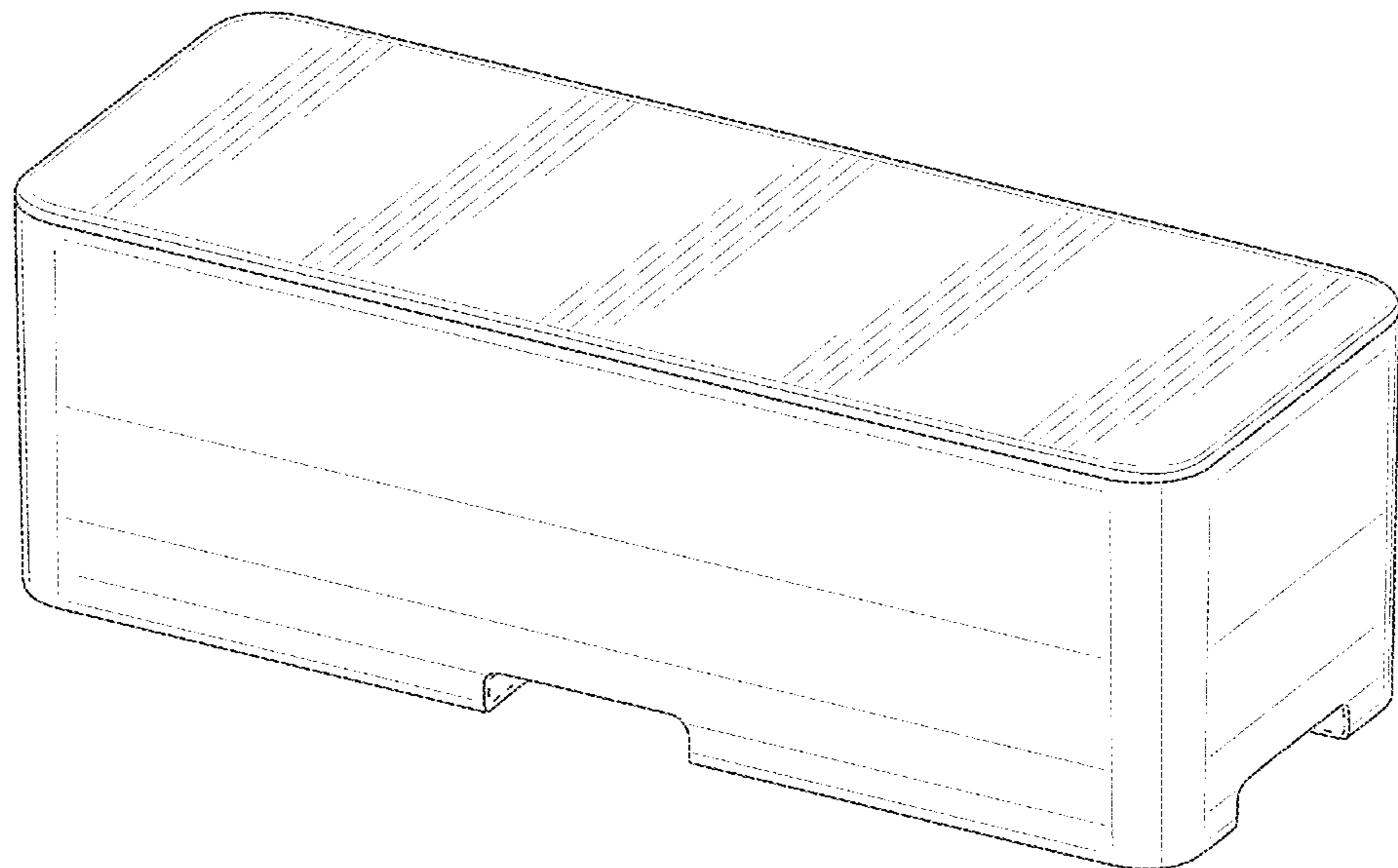
FIG. 1 is a front perspective view of a first embodiment of a power outlet cover, showing our new design;  
FIG. 2 is a front view thereof;  
FIG. 3 is a rear view thereof;  
FIG. 4 is a left-side view thereof;  
FIG. 5 is a right-side view thereof;  
FIG. 6 is a top view thereof;  
FIG. 7 is a bottom view thereof;  
FIG. 8 is an exploded perspective view of the first embodiment with the lid for the power outlet cover removed;  
FIG. 9 is a front perspective view of a second embodiment of a power outlet cover, showing our new design;  
FIG. 10 is a front view thereof;  
FIG. 11 is a rear view thereof;  
FIG. 12 is a left-side view thereof;  
FIG. 13 is a right-side view thereof;  
FIG. 14 is a top view thereof;  
FIG. 15 is a bottom view thereof; and,  
FIG. 16 is an exploded perspective view of the second embodiment with the lid for the power outlet cover removed. The broken lines depict portions of the power outlet cover which form no part of the claimed design.

**1 Claim, 16 Drawing Sheets**

(56) **References Cited**

**U.S. PATENT DOCUMENTS**

5,174,773 A \* 12/1992 Jones ..... H01R 13/447  
174/67  
D342,235 S \* 12/1993 Shotey ..... D13/156  
7,431,594 B2 \* 10/2008 Castaldo ..... H01R 13/6395  
174/67  
D665,362 S \* 8/2012 Browder ..... D13/155  
D682,202 S \* 5/2013 Weaver, Jr. .... D13/108  
D720,692 S \* 1/2015 Matsuoka ..... D13/110  
D733,045 S \* 6/2015 Venida ..... D13/107  
D759,591 S \* 6/2016 Swett ..... D13/119



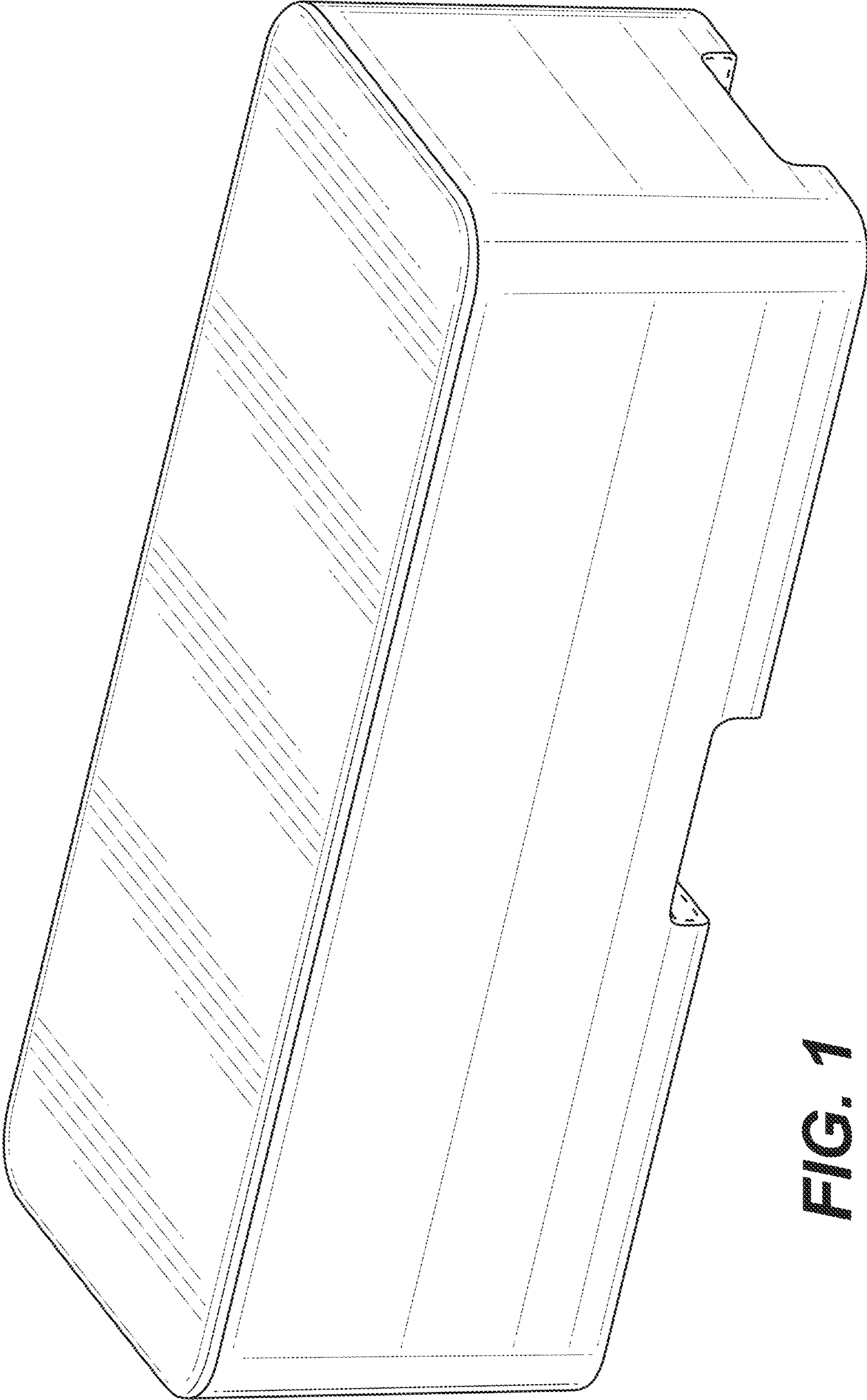
(56)

**References Cited**

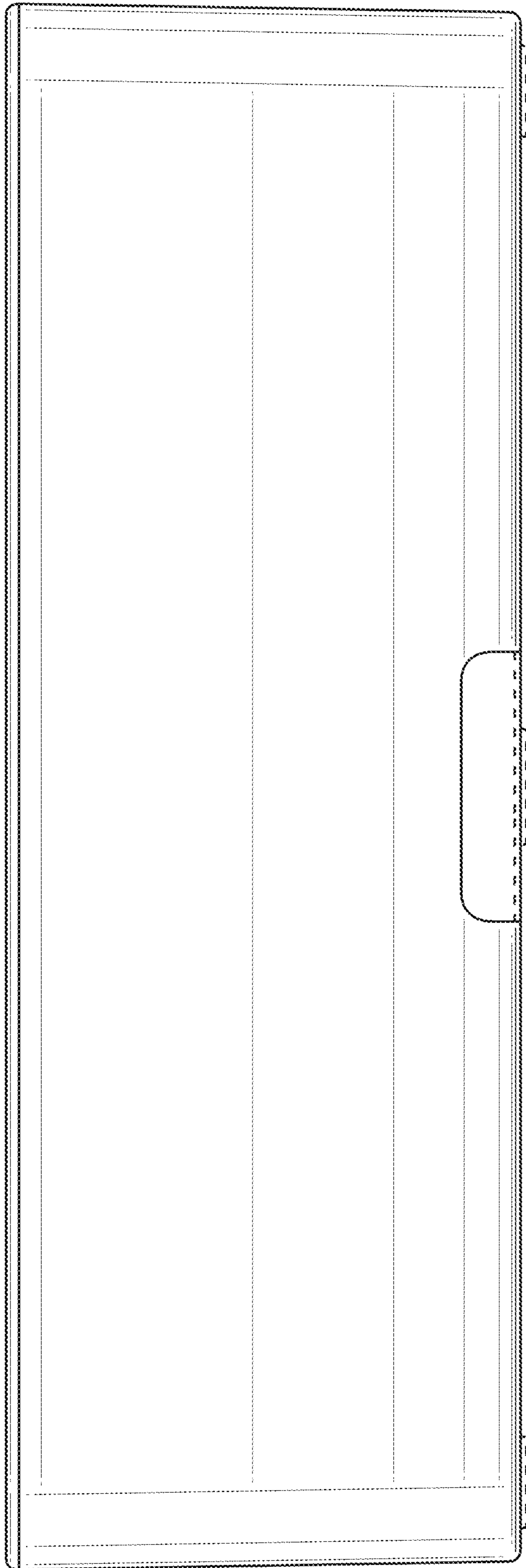
U.S. PATENT DOCUMENTS

D812,009 S \* 3/2018 Hayes ..... D13/139.4  
D822,603 S \* 7/2018 Takahashi ..... D13/119  
D860,176 S \* 9/2019 Siminoff ..... D14/240

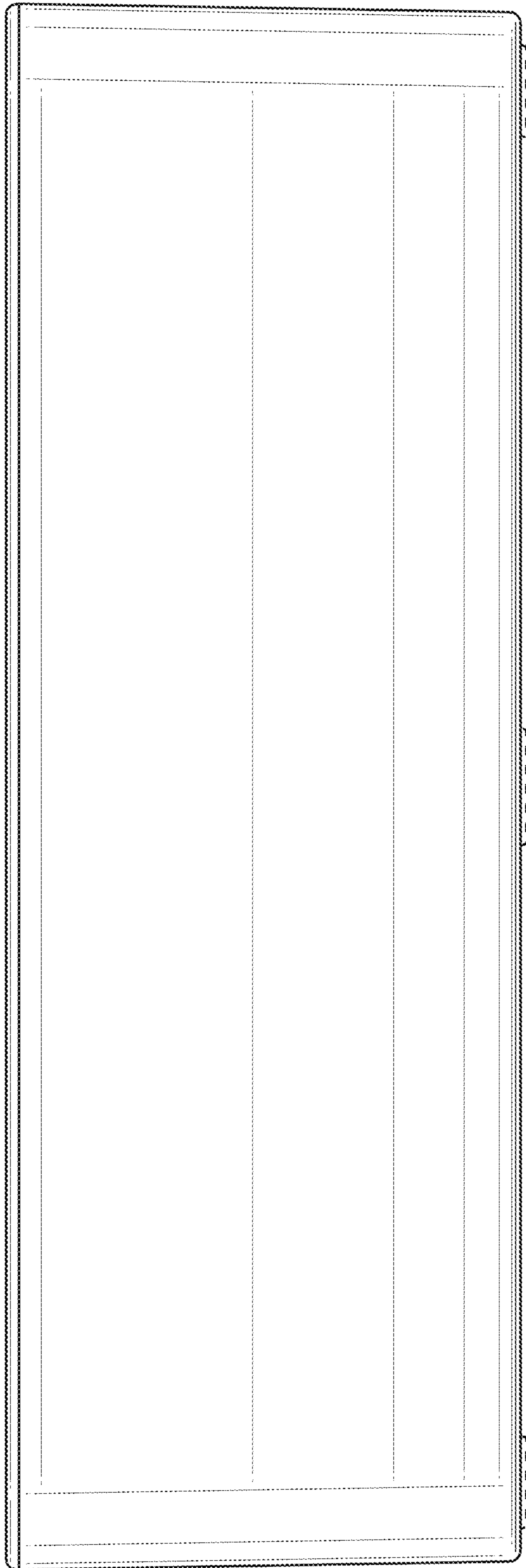
\* cited by examiner



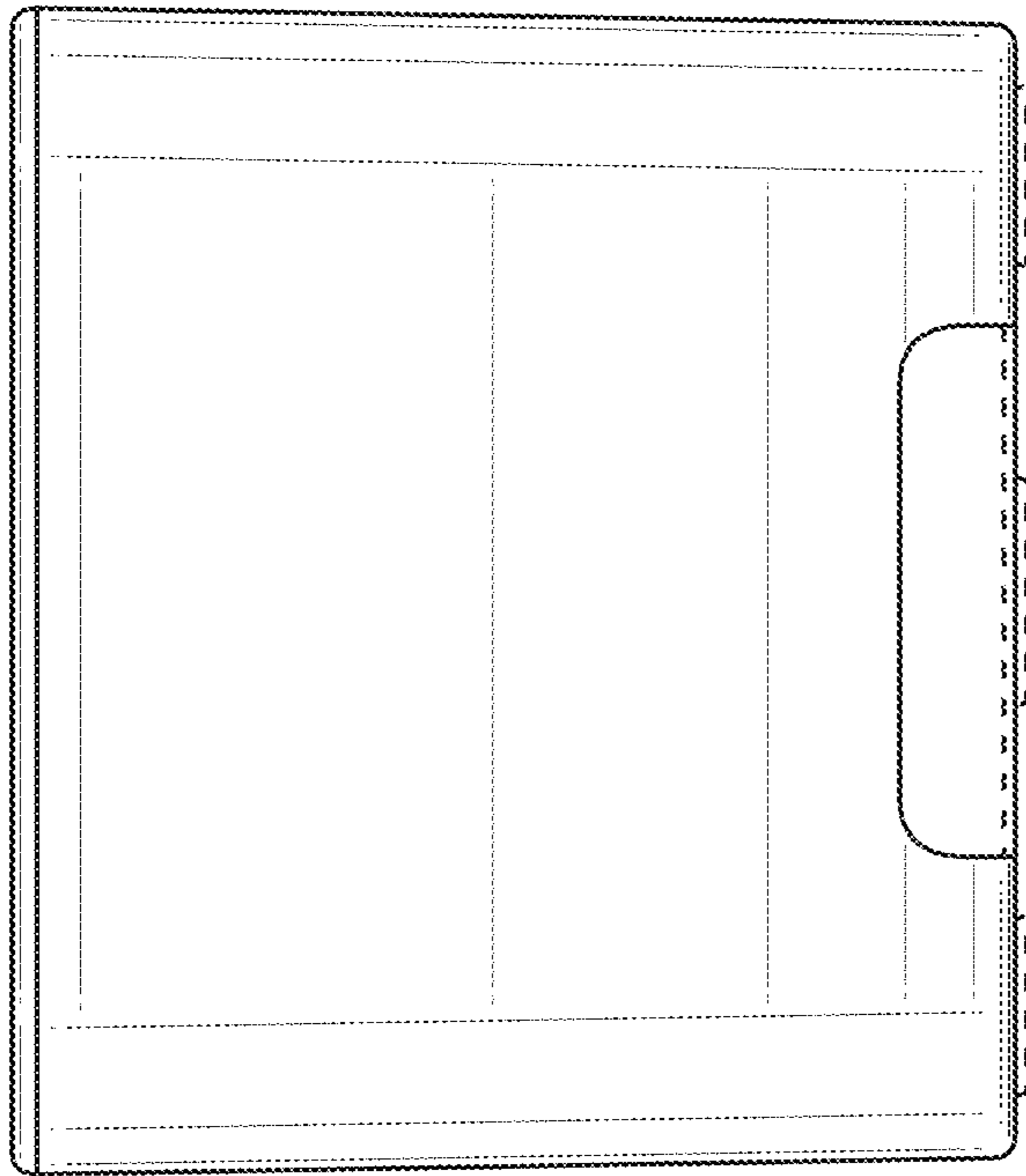
**FIG. 1**



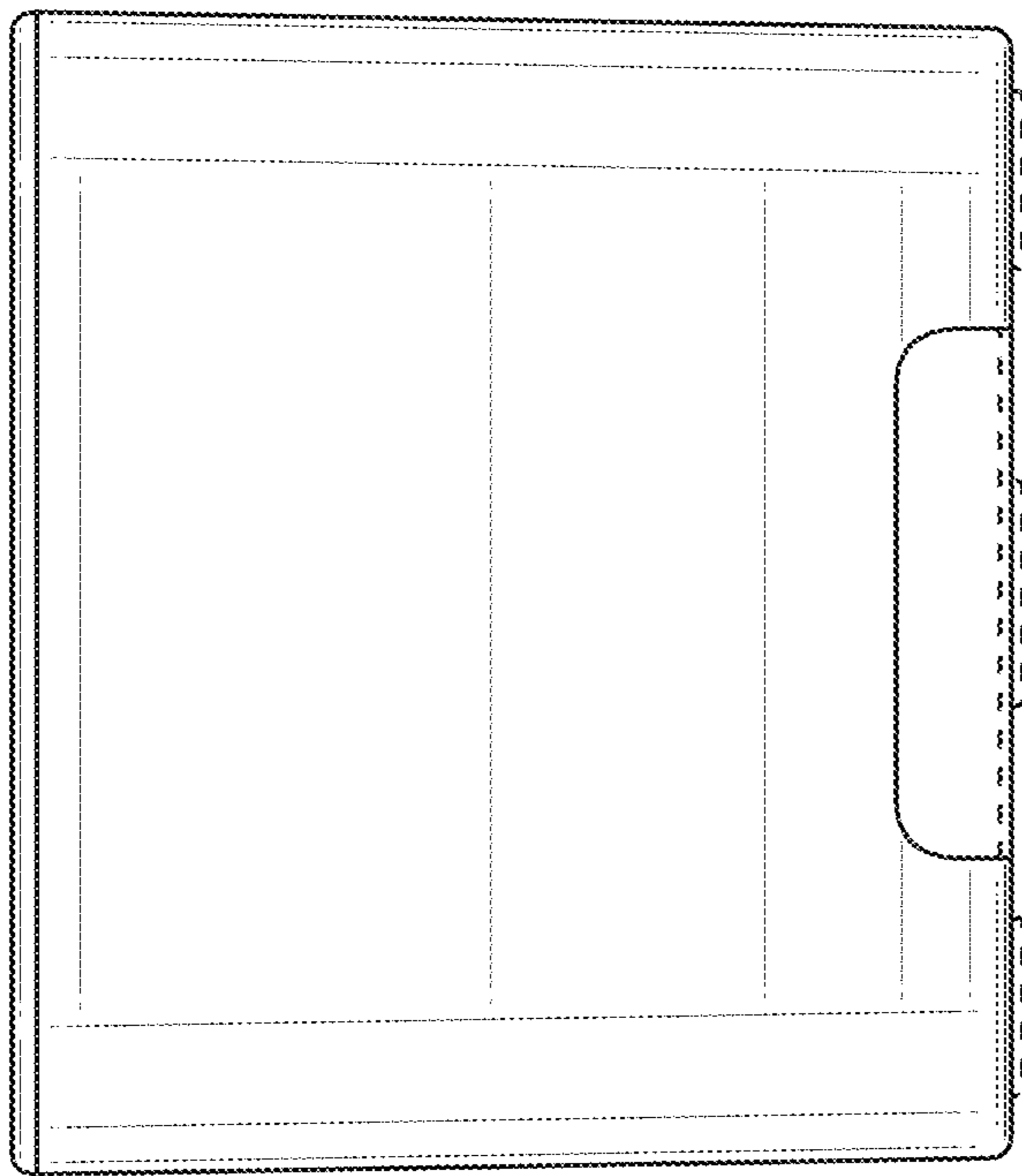
**FIG. 2**



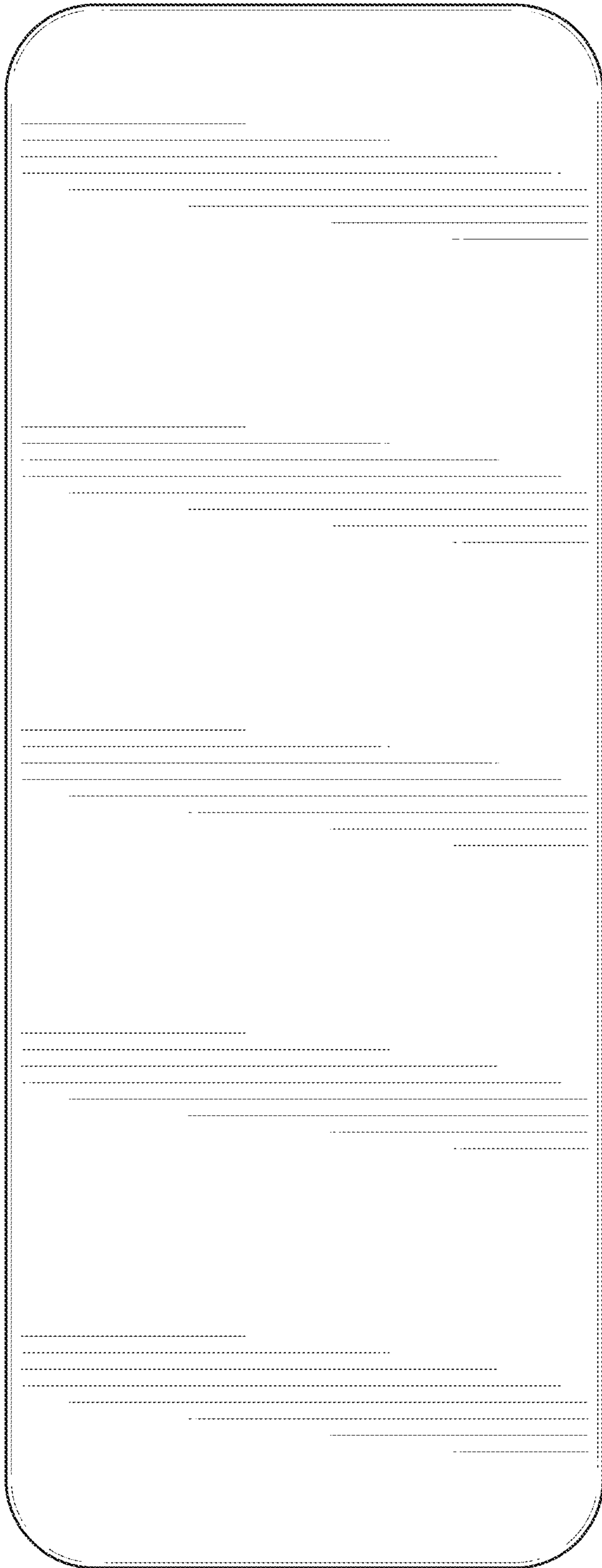
**FIG. 3**



**FIG. 4**

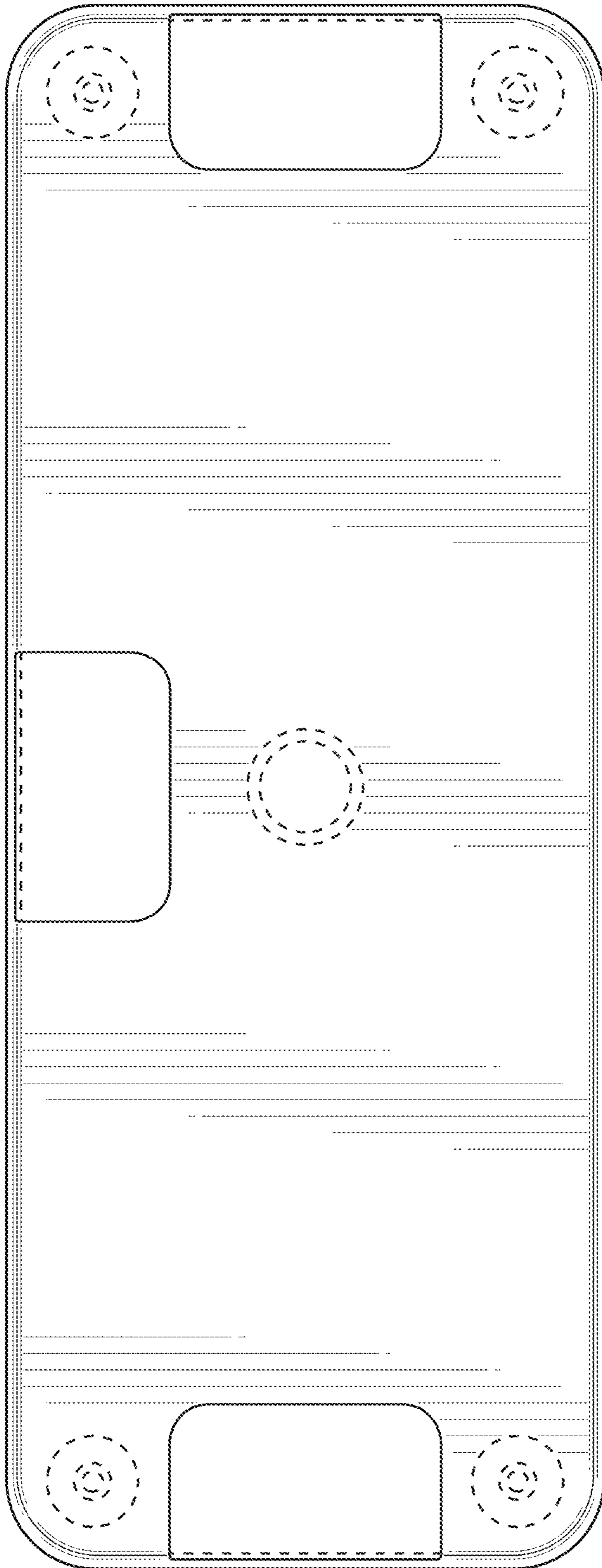


**FIG. 5**

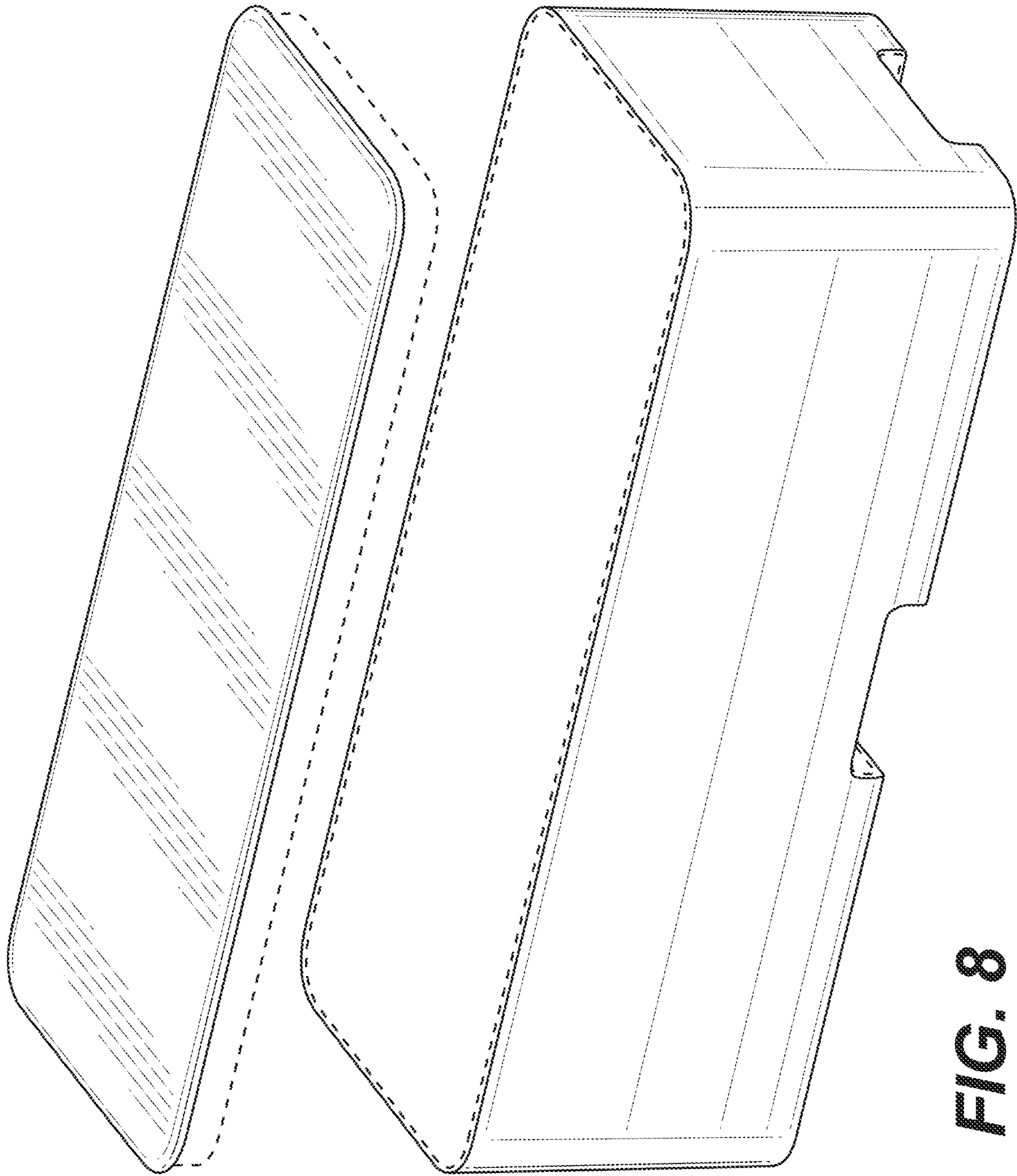


**FIG. 6**

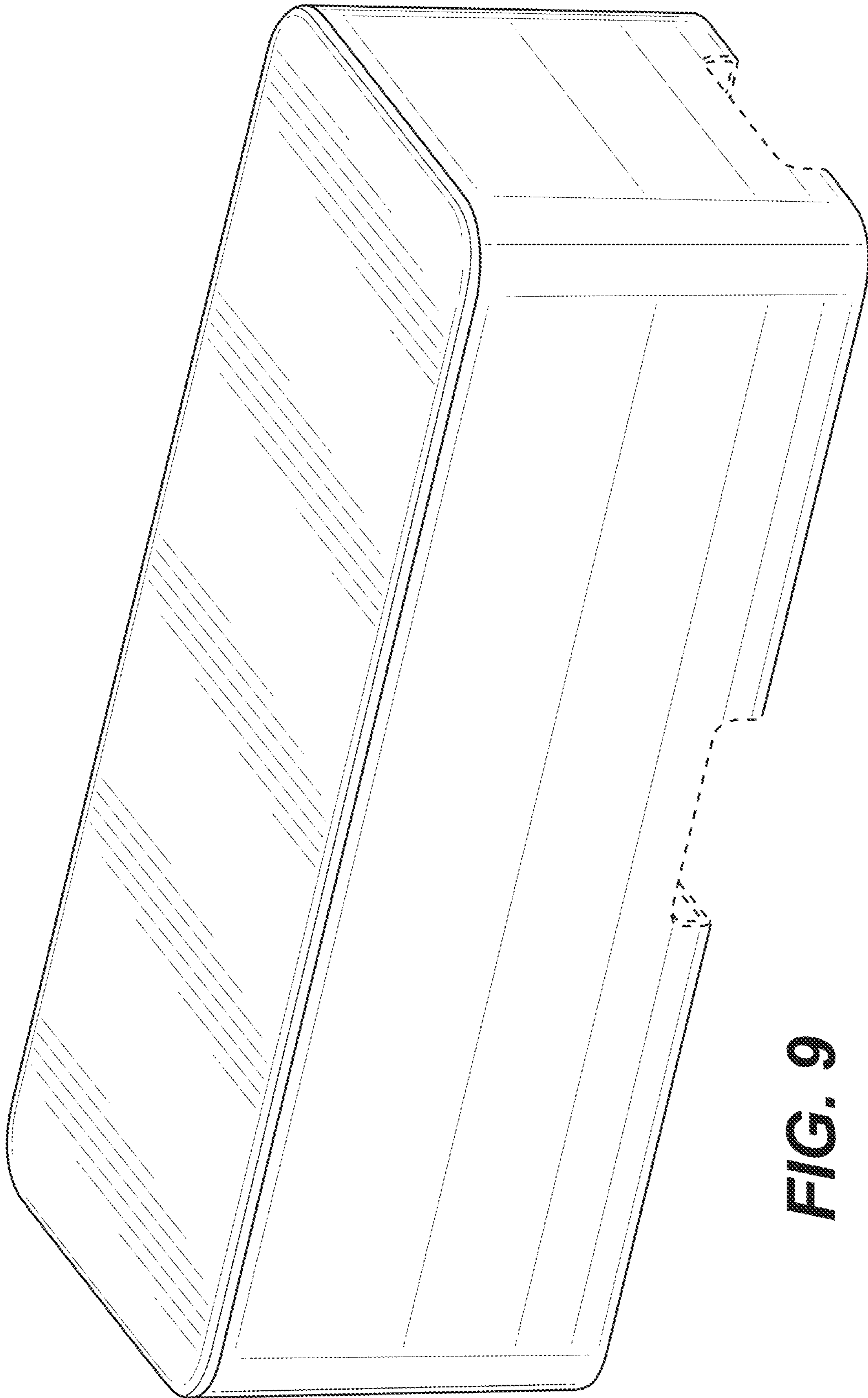




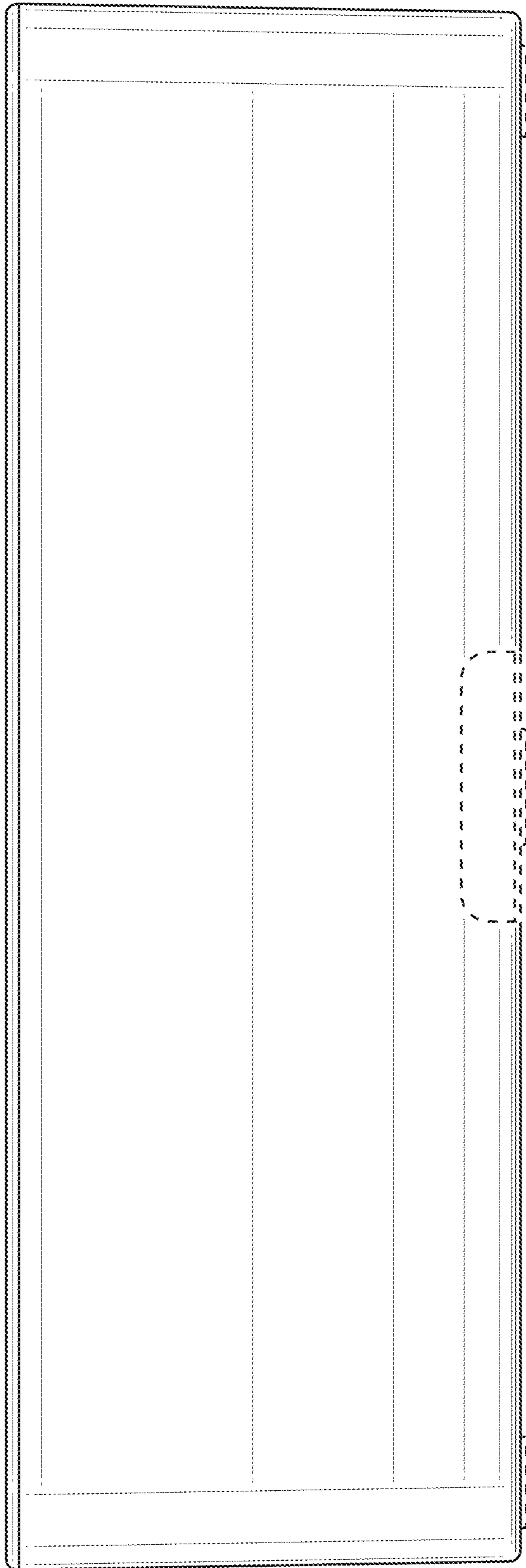
**FIG. 7**



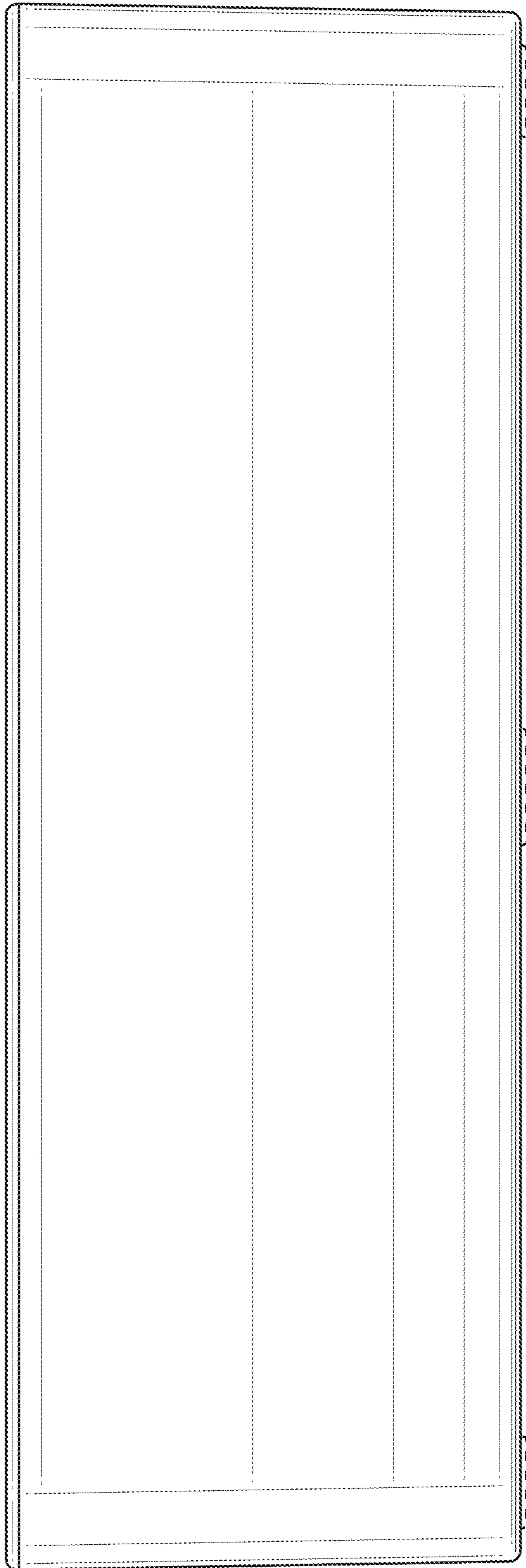
**FIG. 8**



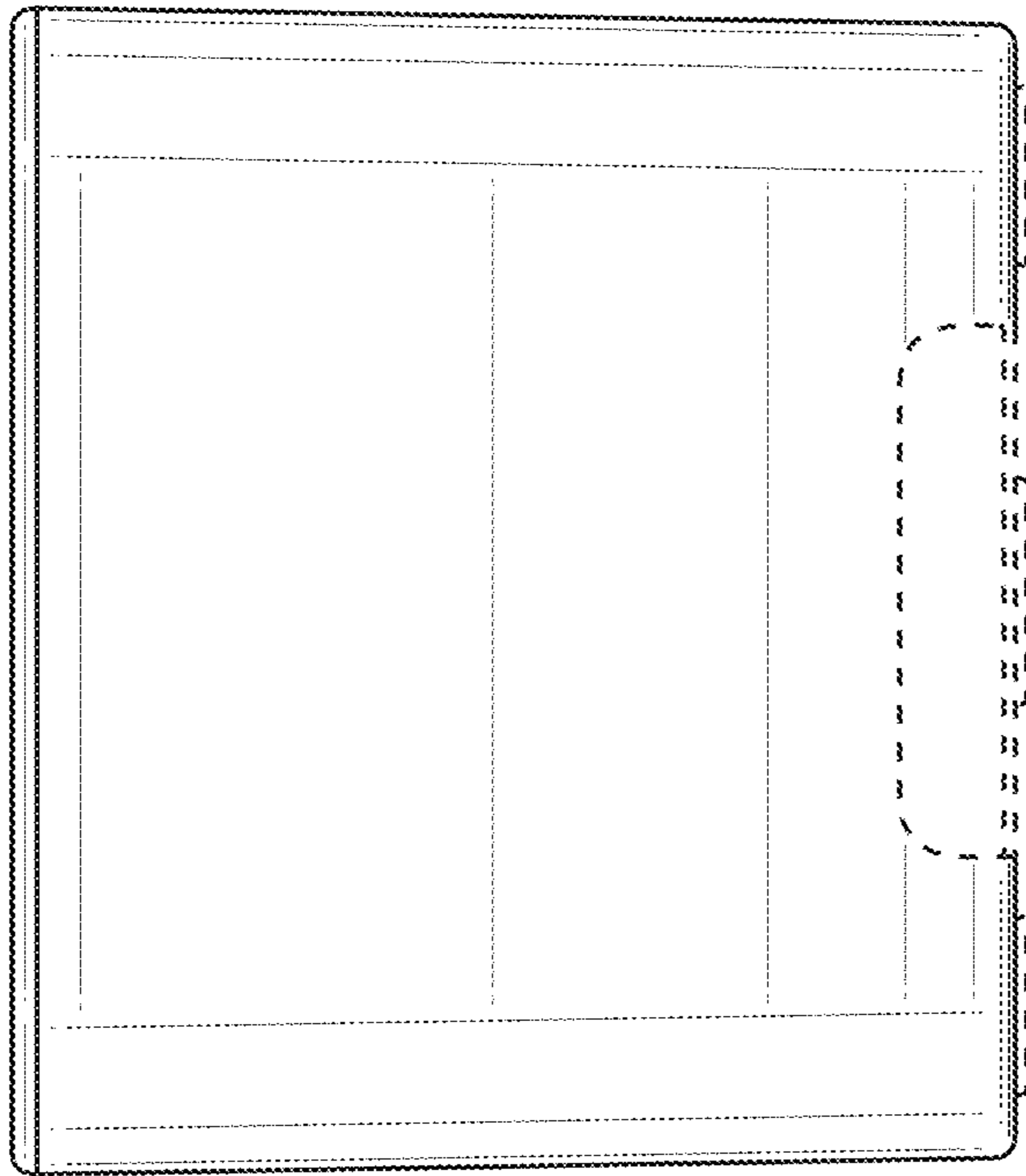
**FIG. 9**



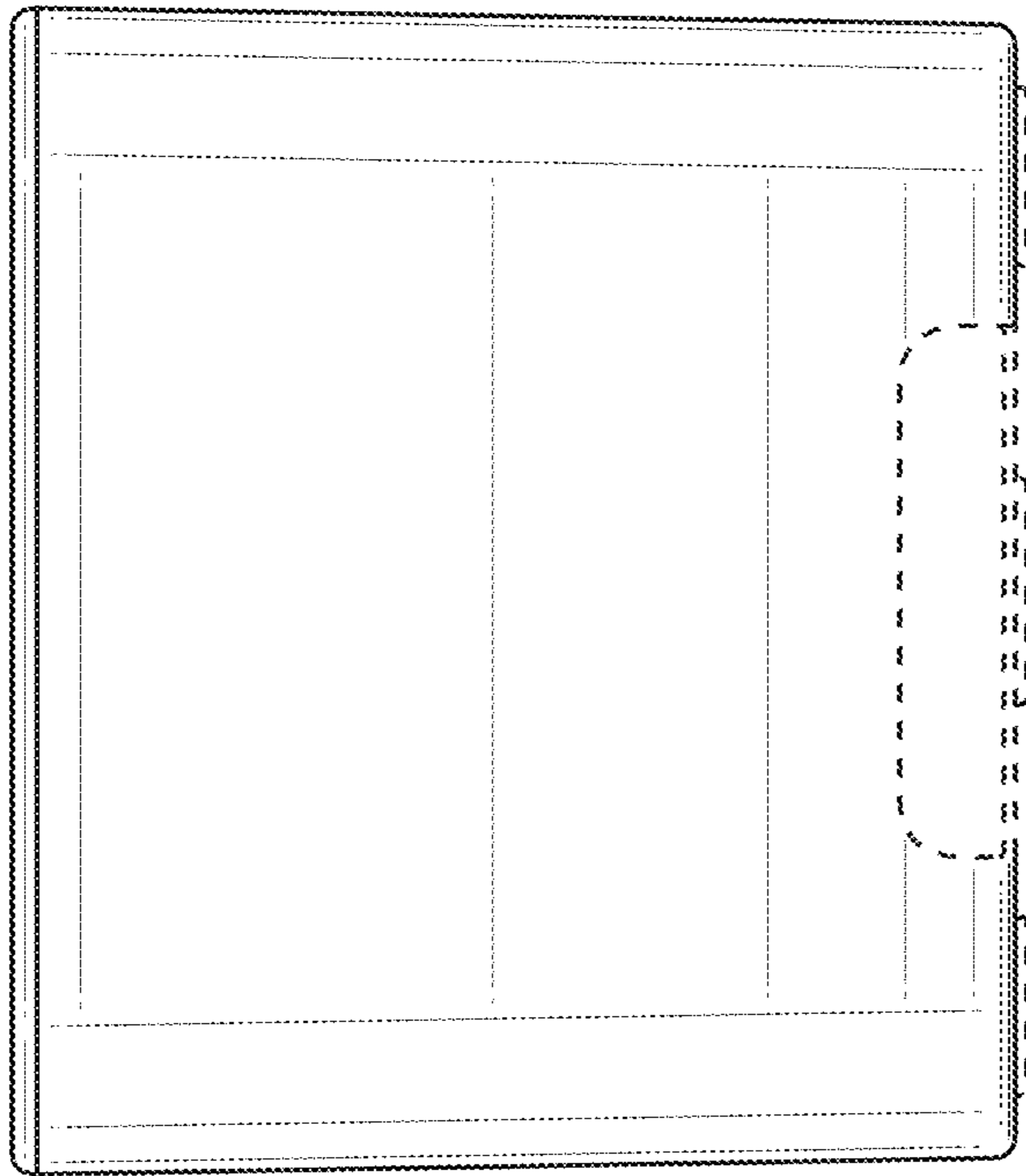
**FIG. 10**



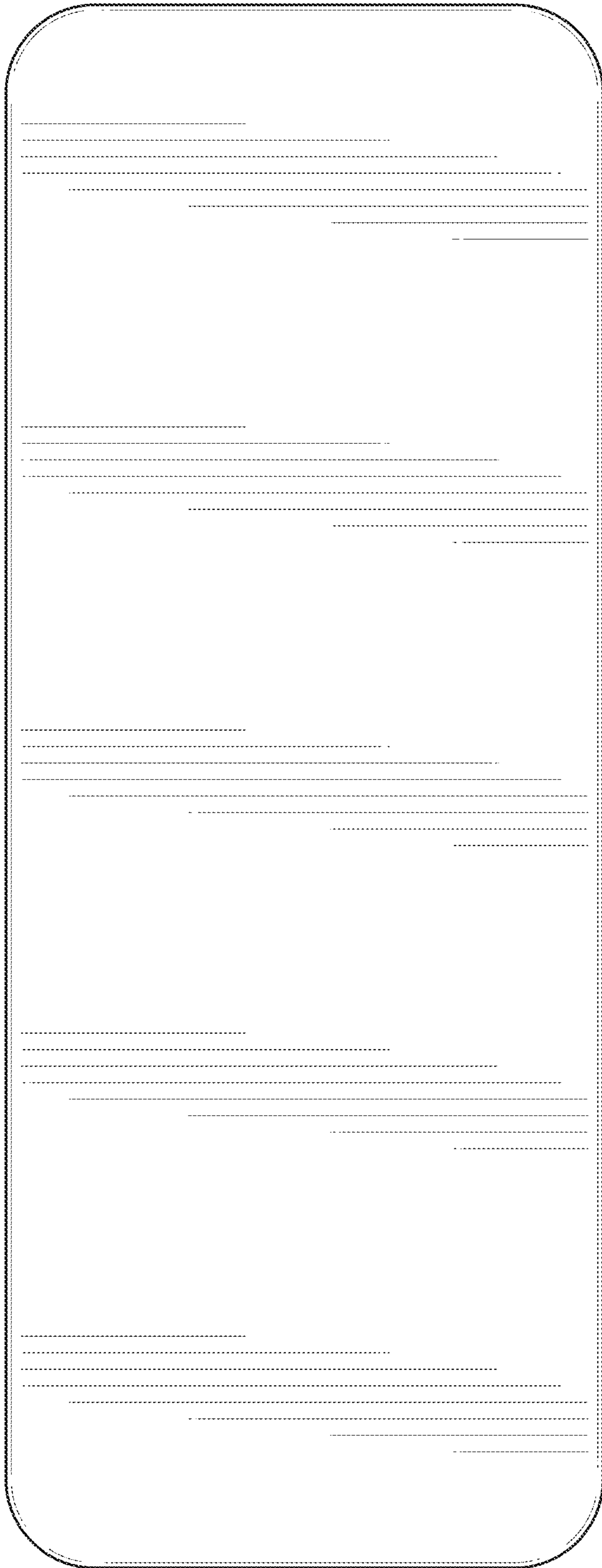
**FIG. 11**



**FIG. 12**

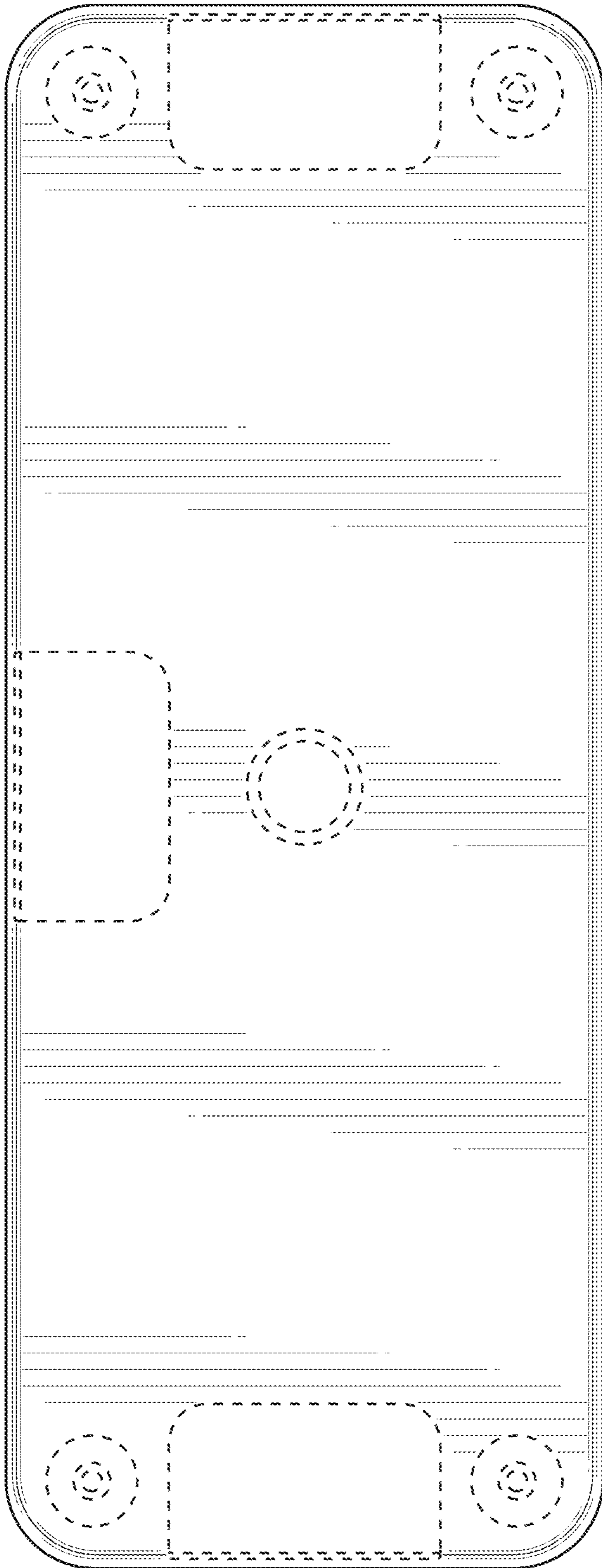


**FIG. 13**

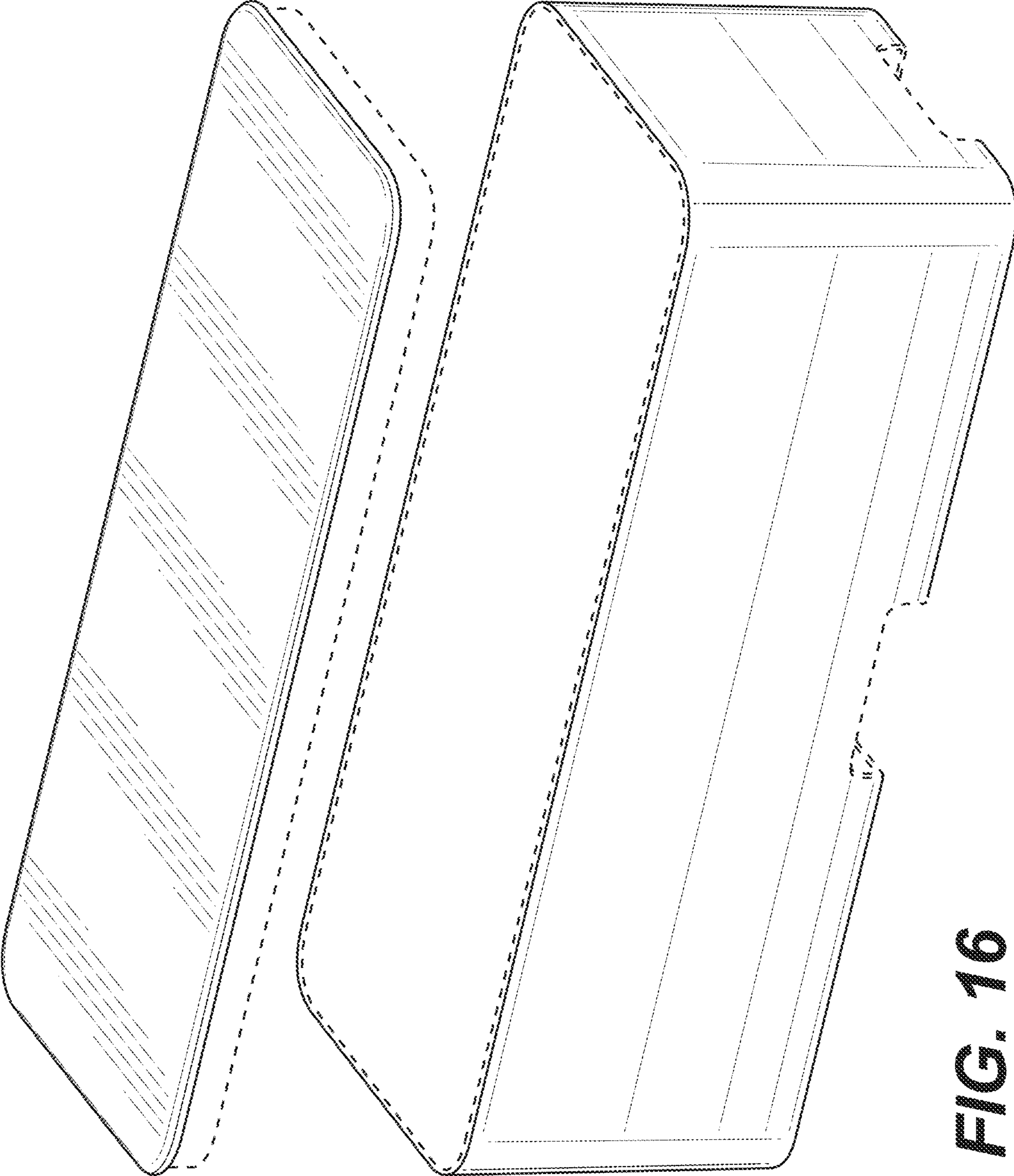


**FIG. 14**





**FIG. 15**



**FIG. 16**