



US00D892061S

(12) **United States Design Patent**
Birgers et al.

(10) **Patent No.:** **US D892,061 S**

(45) **Date of Patent:** **** Aug. 4, 2020**

(54) **HANKED CABLE**

(75) Inventors: **Christopher J. Birgers**, Cupertino, CA (US); **Michael Joseph Solomon**, Foster City, CA (US); **Charles Werley**, San Jose, CA (US)

(73) Assignee: **Apple Inc.**, Cupertino, CA (US)

(**) Term: **14 Years**

(21) Appl. No.: **29/408,999**

(22) Filed: **Dec. 19, 2011**

(51) **LOC (12) Cl.** **13-03**

(52) **U.S. Cl.**
USPC **D13/153**

(58) **Field of Classification Search**

USPC D13/133, 138.1, 139.1, 152, 153, 154, D13/156, 157, 123, 168, 147, 145; D14/184, 199, 205, 28, 238.12, 433; 439/892, 894, 901; 379/431; D20/22; D9/415, 702, 711, 713, 715, 430, 600, D9/414, 419, 434, 452; 102/202.12; 28/180; 206/388; 242/472.5, 401; 100/31, 16; 165/132; D3/273; 239/129; 138/137, 128

CPC F42B 39/30; D06B 3/04; B65D 75/05; B65D 85/04; B65B 63/06; A01J 9/04; B08B 3/026; F16L 11/121; B65H 49/305

See application file for complete search history.

(56) **References Cited**

U.S. PATENT DOCUMENTS

2,393,221 A * 1/1946 Mercer F42B 39/30
102/202.12
3,681,824 A * 8/1972 Yasuji D06B 3/04
28/180
3,796,304 A * 3/1974 Blais B65D 75/02
206/388
4,253,289 A * 3/1981 Cole B65B 63/06
242/472.5

4,375,186 A * 3/1983 Gudmestad B65B 63/06
100/31
4,406,109 A * 9/1983 Butler B65B 63/06
242/472.5
5,129,514 A * 7/1992 Lilley, Jr. B65D 85/04
102/202.12

(Continued)

FOREIGN PATENT DOCUMENTS

JP 1402126 1 11/2010

OTHER PUBLICATIONS

<http://www.dhgate.com/store/product/8pin-to-usb-2-0-charging-sync-date-cable/15741-14> . . . searched RMS Apr. 11, 2013.*

(Continued)

Primary Examiner — Rhea Shields

(74) *Attorney, Agent, or Firm* — Sterne, Kessler, Goldstein & Fox P.L.L.C.

(57) **CLAIM**

The ornamental design for a hanked cable, as shown and described.

DESCRIPTION

FIG. 1 is a front perspective view of a hanked cable showing the claimed design;

FIG. 2 is a top view thereof;

FIG. 3 is a bottom view thereof;

FIG. 4 is a front view thereof;

FIG. 5 is a rear view thereof;

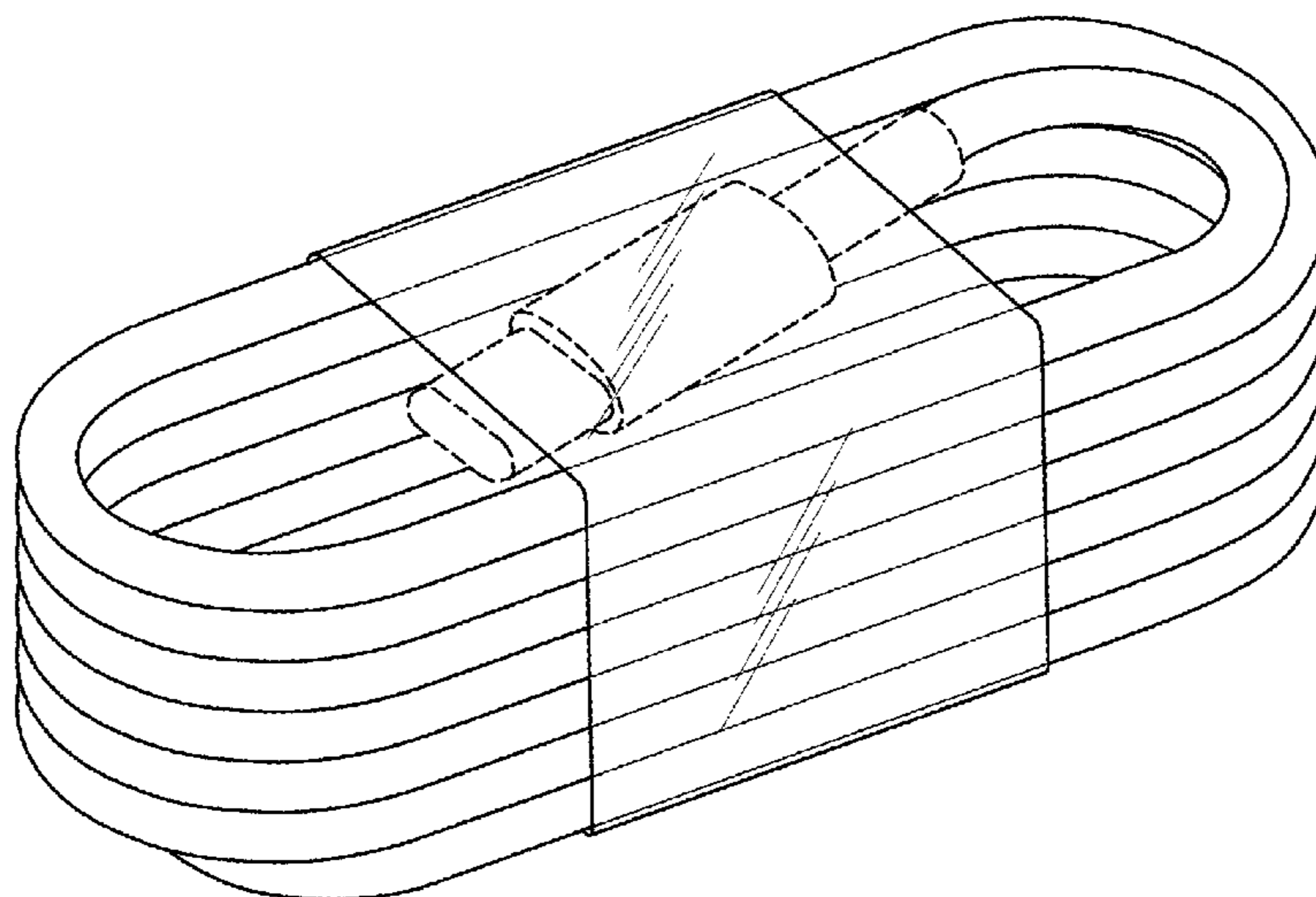
FIG. 6 is a right side view thereof; and,

FIG. 7 is a left side view thereof.

The shade lines on the band in the Figures show transparency or translucency and not surface ornamentation.

The broken lines in the drawings show portions of the hanked cable that form no part of the claimed design.

1 Claim, 4 Drawing Sheets



(56)

References Cited

U.S. PATENT DOCUMENTS

5,311,721 A * 5/1994 Urchaga B65B 63/06
100/16
5,320,163 A * 6/1994 Stoodley A01J 9/04
165/132
D357,668 S * 4/1995 Lucey D13/153
D374,174 S * 10/1996 McClellan D13/154
D391,572 S 3/1998 Lee
D506,744 S 6/2005 Andre et al.
D534,065 S * 12/2006 Andre D14/205
D552,465 S * 10/2007 Ringo D3/273
D577,990 S * 10/2008 Andre D14/205
D578,067 S * 10/2008 Chen D13/123
D581,371 S * 11/2008 Richmond D13/168
D586,753 S * 2/2009 Diamond D13/147
D587,134 S * 2/2009 Caldwell D9/715
D595,228 S * 6/2009 Huang D13/133
D601,884 S * 10/2009 Andre D9/430
D604,844 S 11/2009 Summerer et al.
D606,877 S * 12/2009 Grullon D9/600
D654,638 S * 2/2012 LaCross D30/153
D666,382 S * 9/2012 Kim D2/607
D682,222 S * 5/2013 Crucitti D13/155
D696,144 S * 12/2013 Akana D9/715
D713,740 S * 9/2014 Akana D9/721
D743,965 S * 11/2015 Laffon de Mazieres D13/154
D751,993 S * 3/2016 Stewart D13/156

2010/0006668 A1* 1/2010 Alexander B08B 3/026
239/129
2011/0146829 A1* 6/2011 Coleman F16L 11/121
138/137
2011/0198430 A1* 8/2011 Rothell B65H 49/305
242/401
2011/0303317 A1* 12/2011 Montalvo F16L 11/082
138/129

OTHER PUBLICATIONS

<http://www.directwireusa.com/Industrial/> searched RMS Apr. 11, 2013.*
<http://image.made-in-china.com/2f0j00IKETQGDPIYkJ/Extension-Cord-Extension-Cable> . . . searched RMS Apr. 11, 2013.*
Industrial Wire., reference dated Apr. 11, 2013, found on the internet at—<http://www.directwireusa.com/Industrial/>.*
1M 3Ft Micro USB Sync . . . reference dated Jun. 29, 2016, found on the internet at <http://www.dhgate.com/product/1m-8-30-pin-8pin-lightning-data-usb-charging/241861703.html#ctabBox>.*
Jeremy Horwitz, Apple iPod Camera Connector, <http://www.ilounge.com/index.php/reviews/entry/apple-ipod-camera-connector-ipod/>, Mar. 31, 2005.
Co-pending U.S. Appl. No. 29/409,740, Inventors Birgers et al., filed Dec. 28, 2011 (Not Published).

* cited by examiner

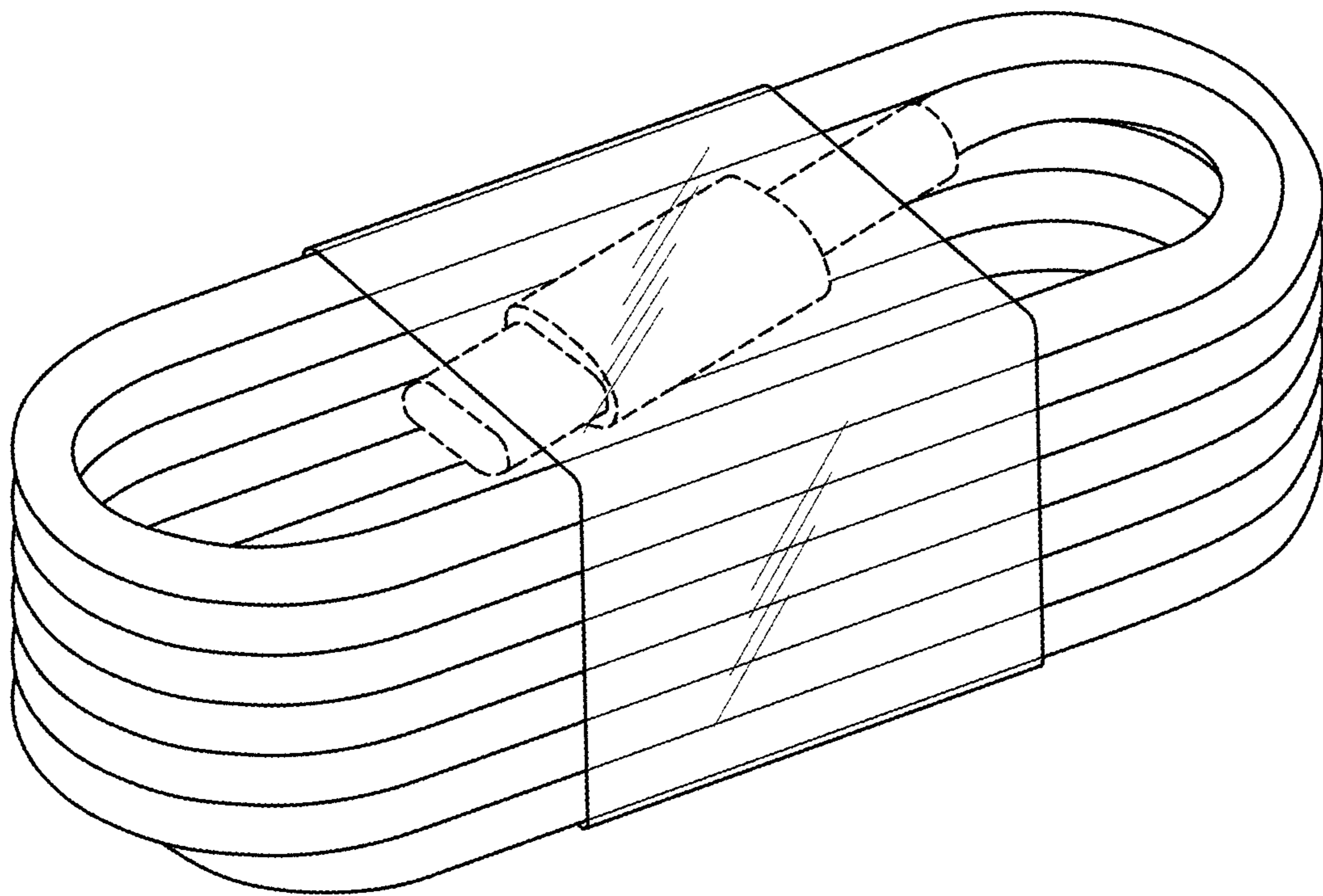


FIG. 1

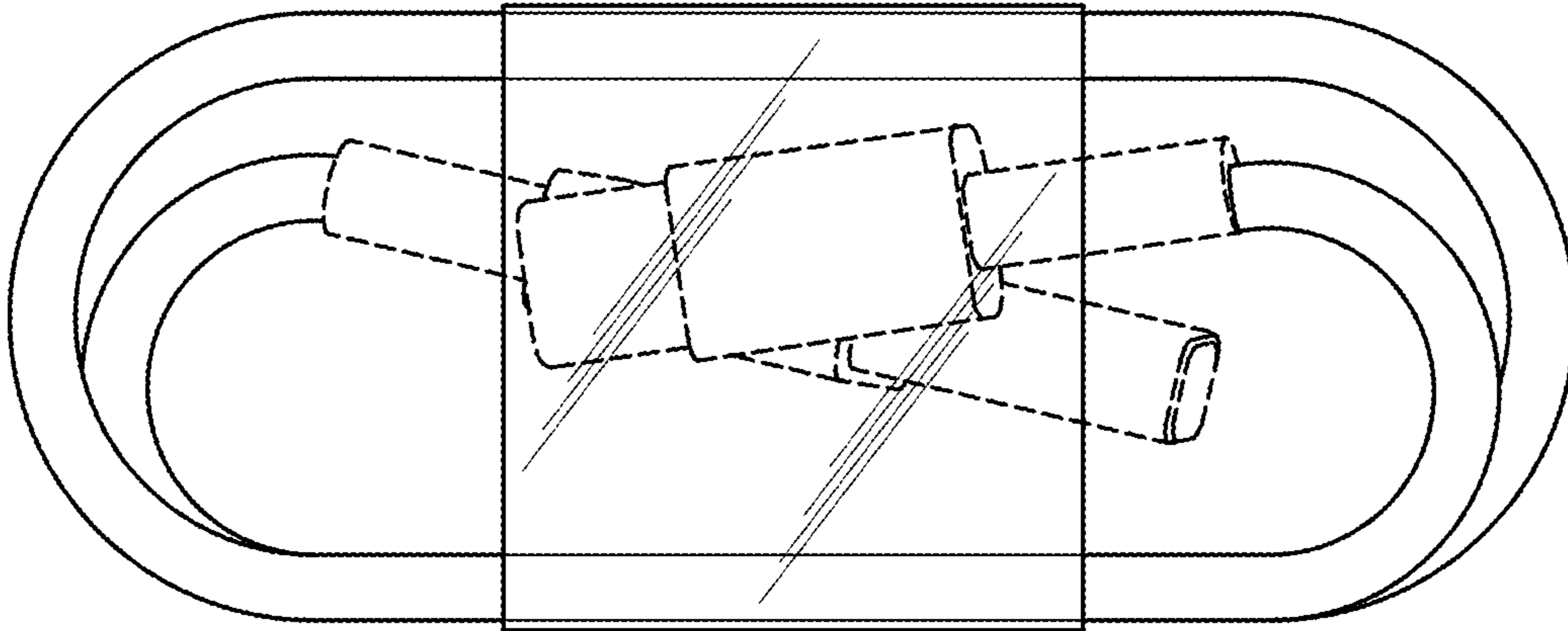


FIG. 2

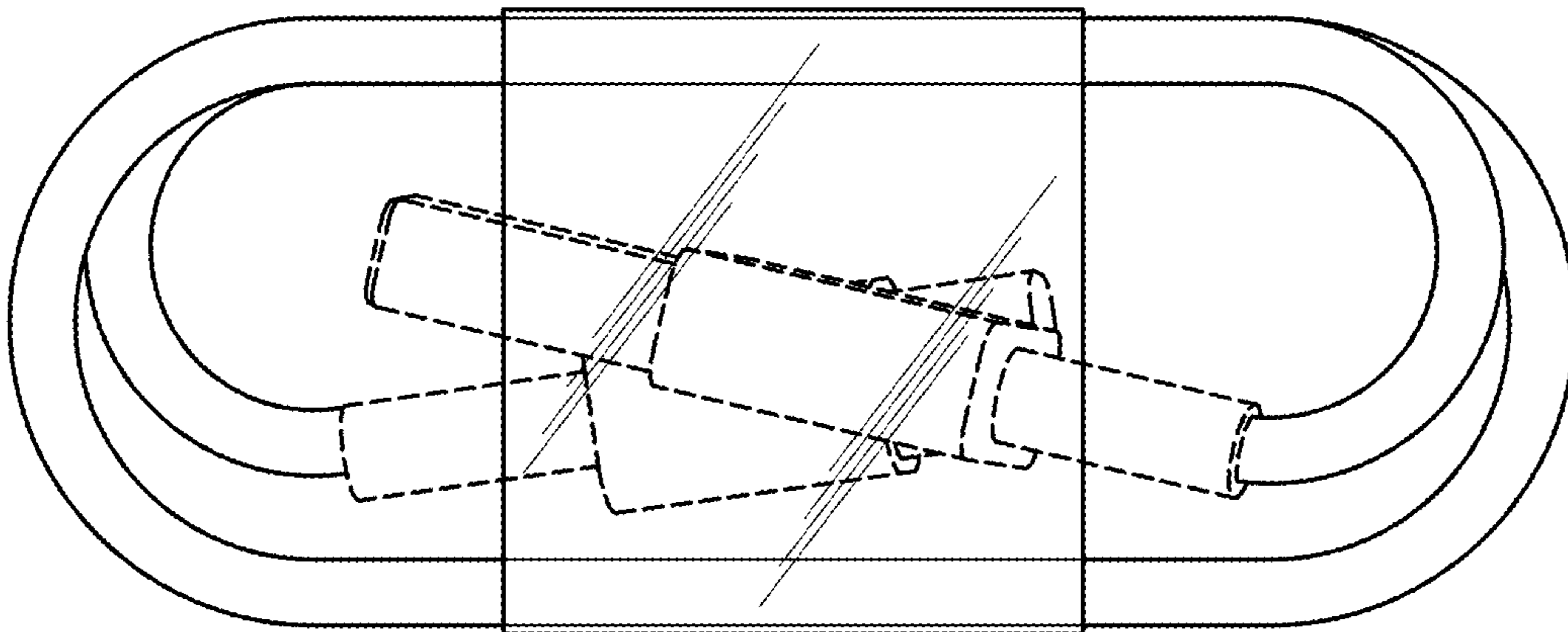


FIG. 3

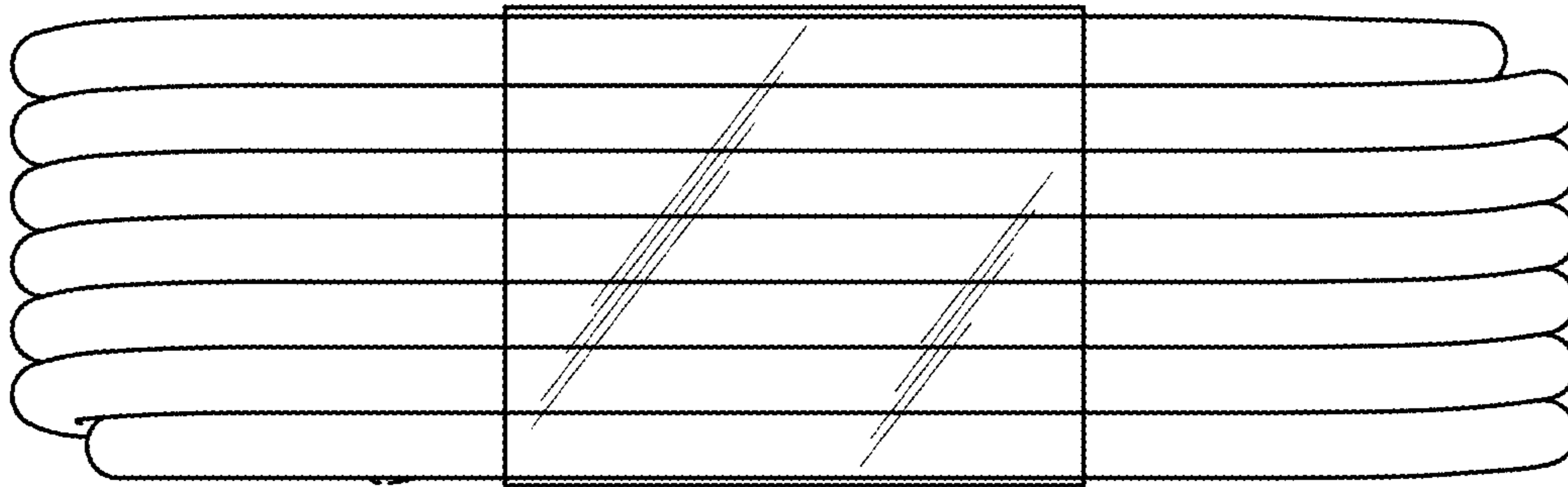


FIG. 4

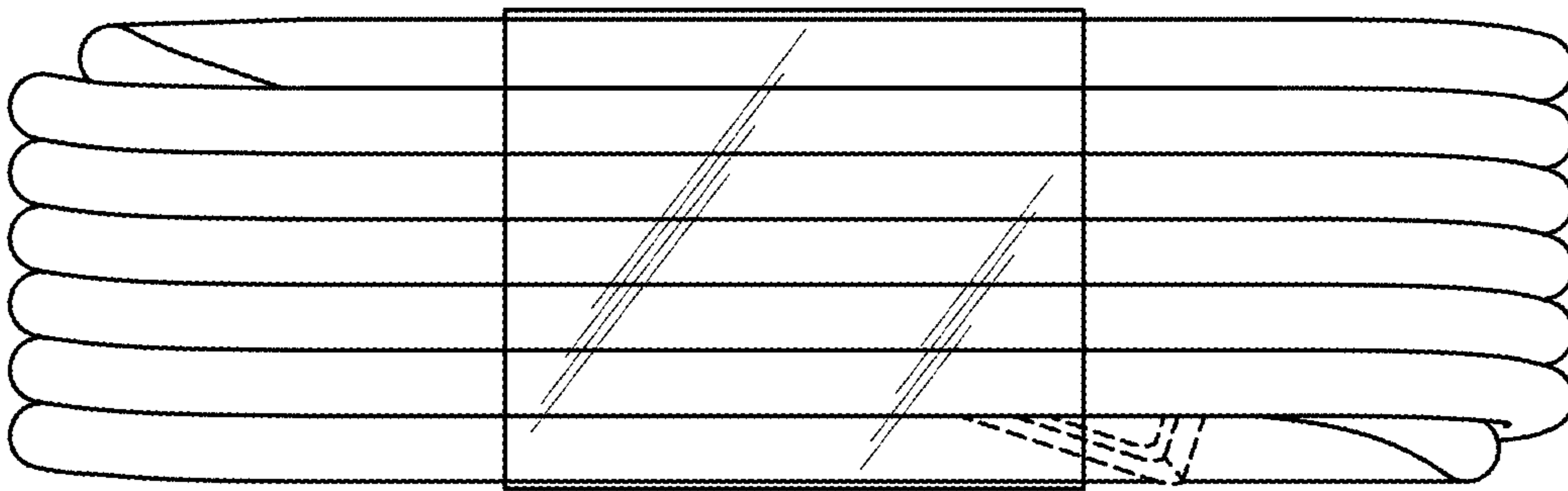


FIG. 5

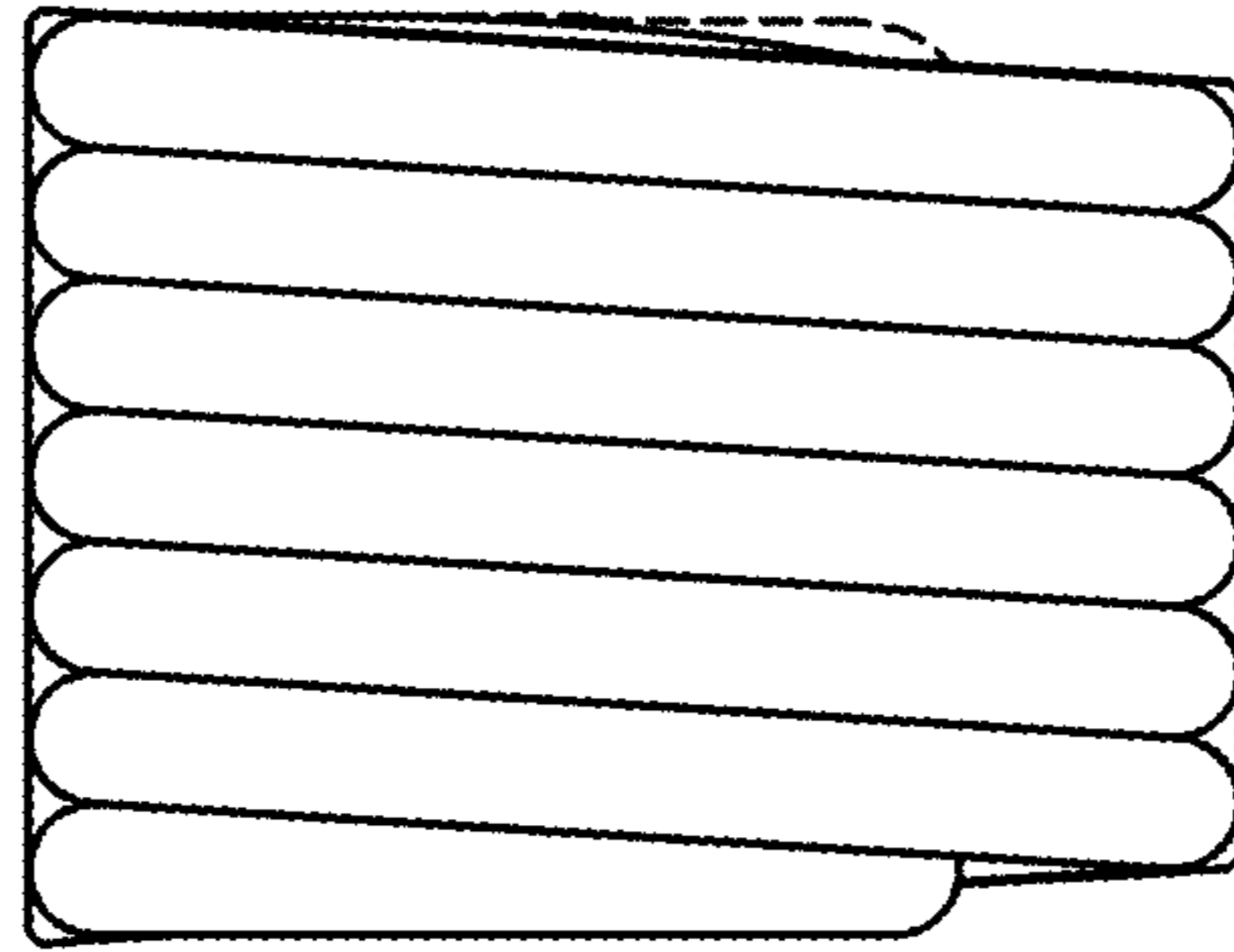


FIG. 6

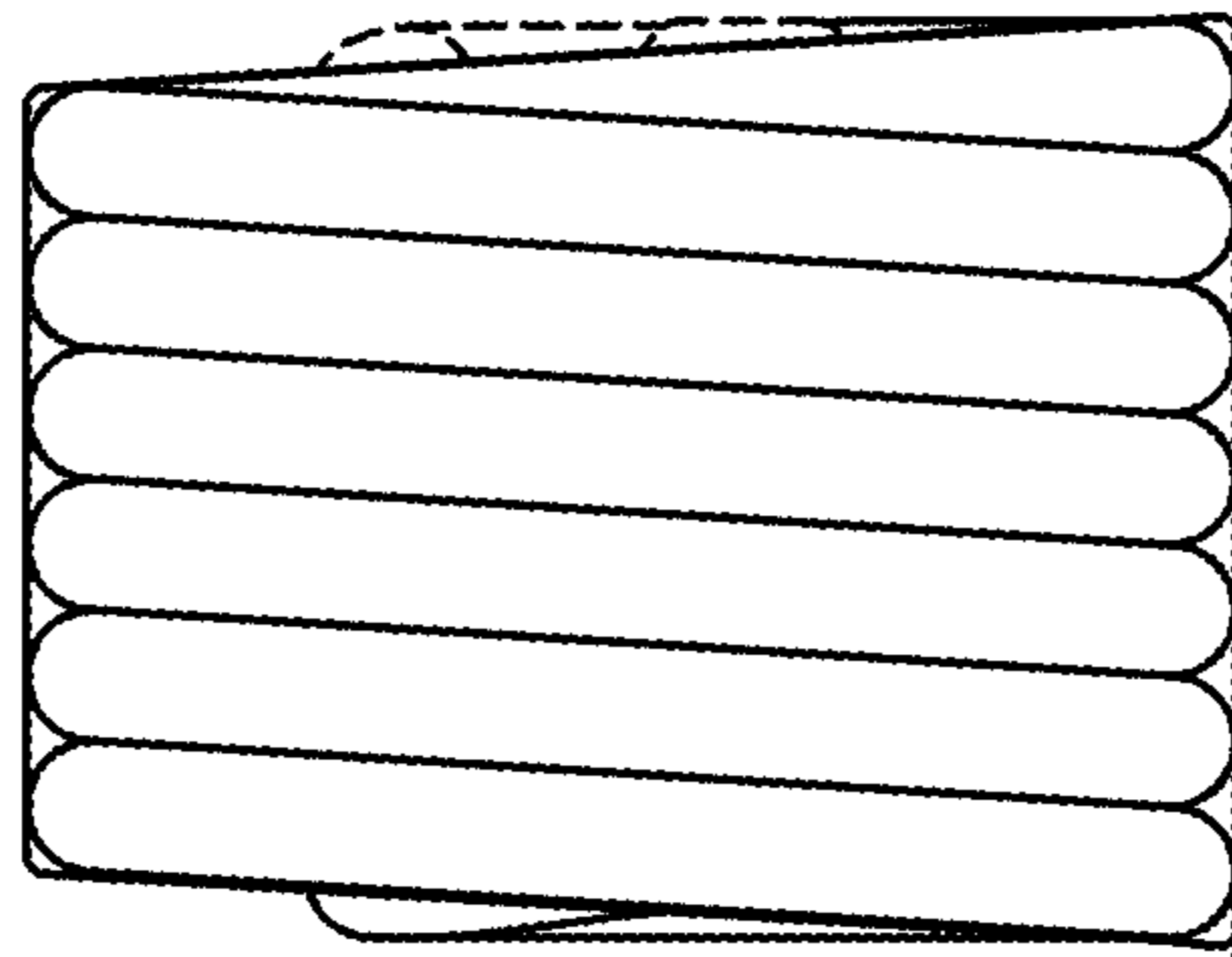


FIG. 7

UNITED STATES PATENT AND TRADEMARK OFFICE
CERTIFICATE OF CORRECTION

PATENT NO. : D892,061 S
APPLICATION NO. : 29/408999
DATED : August 4, 2020
INVENTOR(S) : Birgers et al.

Page 1 of 1

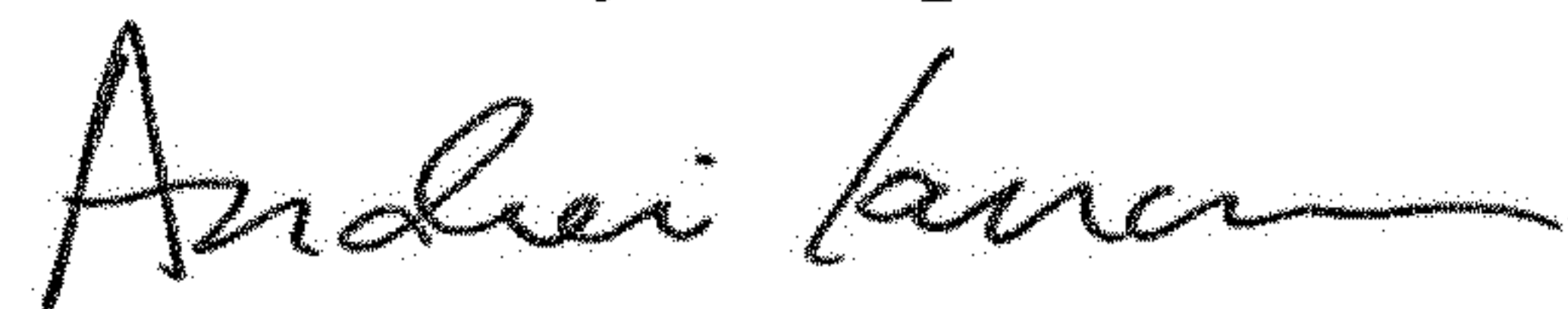
It is certified that error appears in the above-identified patent and that said Letters Patent is hereby corrected as shown below:

On the Title Page

Below the “(73) Assignee” section, please add the following section:

Item --(*) Notice: This patent is subject to a terminal disclaimer.--

Signed and Sealed this
Fifteenth Day of September, 2020



Andrei Iancu
Director of the United States Patent and Trademark Office