



US00D892060S

(12) **United States Design Patent**  
**Zhang**

(10) **Patent No.:** **US D892,060 S**

(45) **Date of Patent:** **\*\* Aug. 4, 2020**

(54) **ECG LEAD WIRE CONNECTOR**

(71) Applicant: **Medline Industries, Inc.**, Northfield, IL (US)

(72) Inventor: **Yaojie Zhang**, Beijing (CN)

(73) Assignee: **Medline Industries, Inc.**, Northfield, IL (US)

(\*\*) Term: **15 Years**

(21) Appl. No.: **29/676,068**

(22) Filed: **Jan. 8, 2019**

(51) **LOC (12) Cl.** ..... **13-03**

(52) **U.S. Cl.**  
USPC ..... **D13/147**

(58) **Field of Classification Search**  
USPC ..... D13/107, 110, 118, 123, 133, 146, 147,  
D13/149, 151, 153, 154, 173, 184, 199;  
D24/129, 167, 168  
CPC ..... A61B 5/04; A61B 5/0408; A61B 5/0416;  
H01R 12/00; H01R 13/44; H01R 13/62;  
H01R 13/627; H01R 13/64; H01R  
13/648; H01R 13/65; H01R 13/658;  
H01R 24/00

See application file for complete search history.

(56) **References Cited**

U.S. PATENT DOCUMENTS

5,855,493	A *	1/1999	Shelly	.....	H01R 13/516 439/465
D503,153	S *	3/2005	Suckle	.....	D13/154
D516,034	S *	2/2006	Huang	.....	D13/147
D531,581	S *	11/2006	Wang	.....	D13/147
D599,298	S *	9/2009	Kondo	.....	D13/147
D642,984	S *	8/2011	Sasaki	.....	D13/147
D644,182	S *	8/2011	Hu	.....	D13/147
D675,572	S *	2/2013	Arai	.....	D13/147
D856,285	S *	8/2019	Szymura	.....	D13/147
2005/0181670	A1 *	8/2005	Kumamoto	.....	H01R 13/6275 439/358

(Continued)

OTHER PUBLICATIONS

Curbell Reusable ECG Cables, dated Feb. 16, 2019, [online], [site visited Feb. 24, 2020]. Available from Internet, URL: <https://www.curbellmedical.com/reusable-ecg-cables/> (Year: 2019).\*

(Continued)

*Primary Examiner* — Angela J Lee

*Assistant Examiner* — Shawn T Gingrich

(74) *Attorney, Agent, or Firm* — Robert D. Spendlove; Gurr, Brande & Spendlove, PL

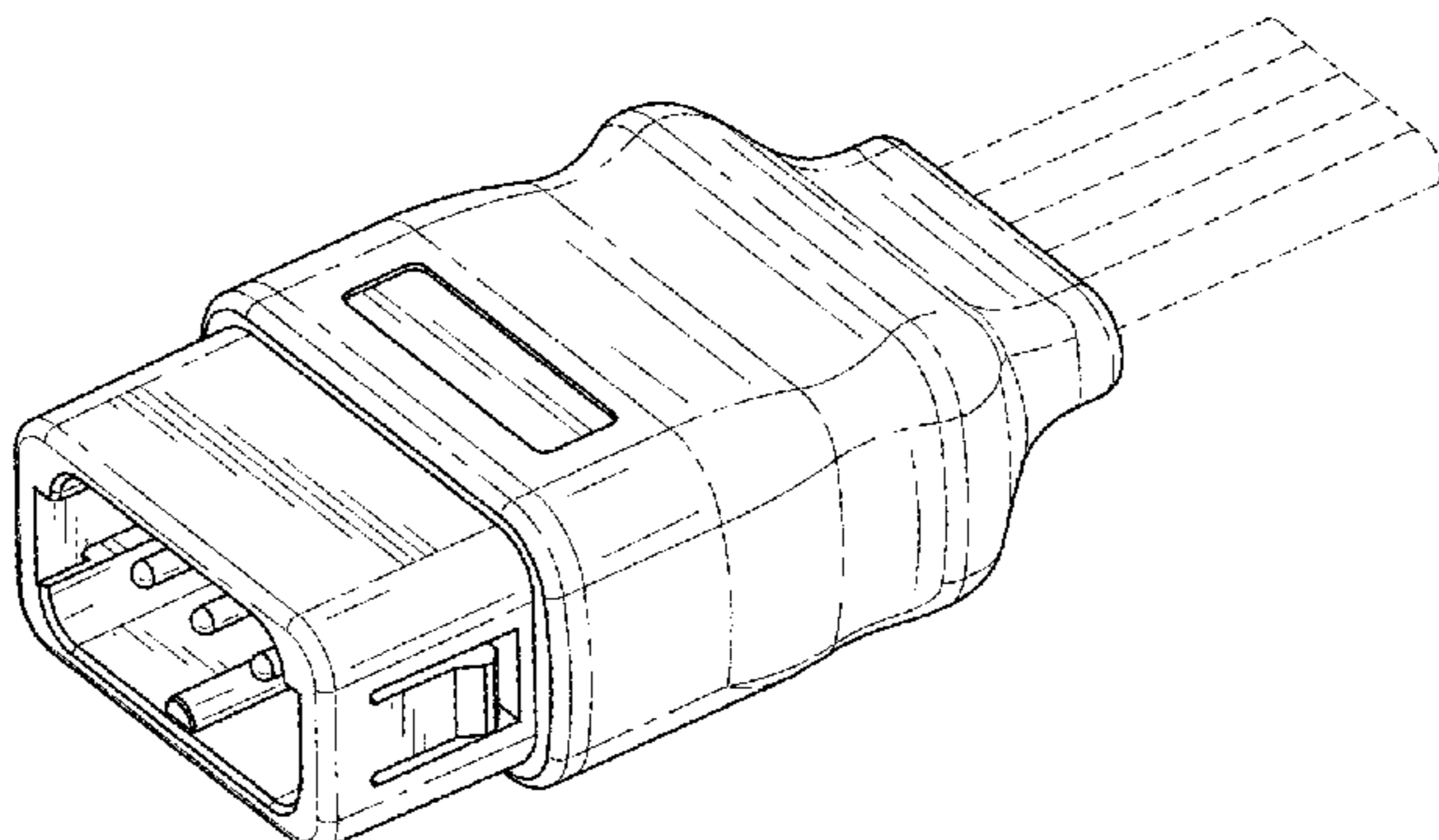
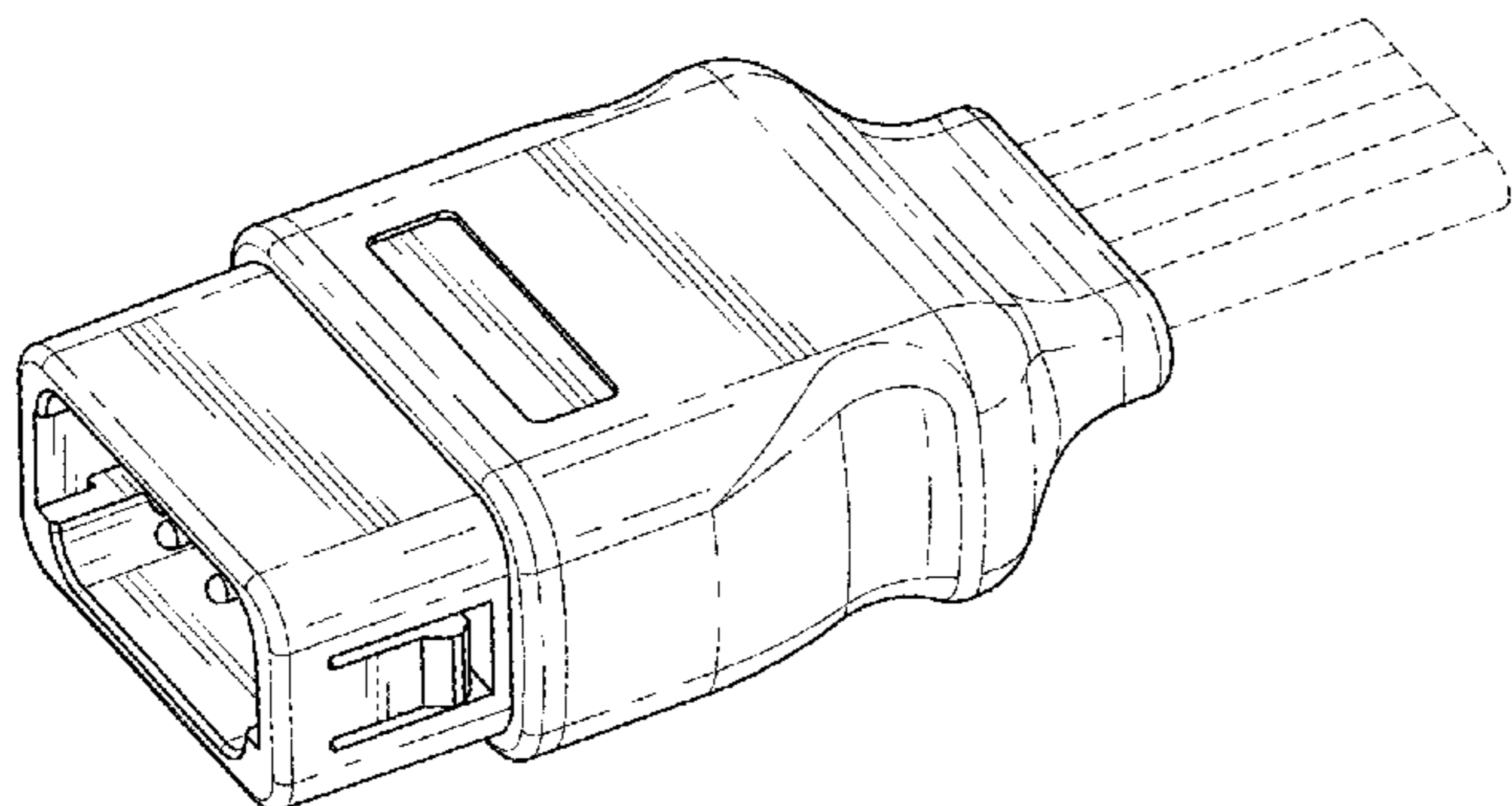
(57) **CLAIM**

The ornamental design for an ECG lead wire connector, as shown and described.

**DESCRIPTION**

FIG. 1 is a perspective view of the front, top, and left sides of an embodiment of an ECG lead wire connector; FIG. 2 is a perspective view of the front, bottom and right sides of the ECG lead wire connector illustrated in FIG. 1; FIG. 3 is a plan view of the top of the ECG lead wire connector illustrated in FIG. 1; FIG. 4 is a plan view of the bottom of the ECG lead wire connector illustrated in FIG. 1; FIG. 5 is an elevation view of the front of the ECG lead wire connector illustrated in FIG. 1; FIG. 6 is an elevation view of the rear of the ECG lead wire connector illustrated in FIG. 1; FIG. 7 is an elevation view of the right side of the ECG lead wire connector illustrated in FIG. 1; and, FIG. 8 is an elevation view of the left side of the ECG lead wire connector illustrated in FIG. 1. The broken line portion of the figure drawings is included to show portions of the article that form no part of the claimed design.

**1 Claim, 3 Drawing Sheets**



(56)

**References Cited**

U.S. PATENT DOCUMENTS

2005/0186847 A1\* 8/2005 Huang ..... H01R 13/508  
439/607.01  
2005/0197018 A1\* 9/2005 Lord ..... G06F 1/1632  
439/680  
2006/0019545 A1\* 1/2006 Moriyama ..... H01R 13/26  
439/660  
2010/0151731 A1\* 6/2010 Su ..... H01R 13/502  
439/607.35  
2010/0330839 A1\* 12/2010 Su ..... H01R 9/034  
439/607.01  
2011/0028038 A1\* 2/2011 Luo ..... H01R 12/62  
439/607.58  
2016/0349459 A1\* 12/2016 Collier ..... G02B 6/3849

OTHER PUBLICATIONS

GE-Marquette One-piece type ECG Monitor Cable, dated Mar. 6, 2018, [online], [site visited Feb. 24, 2020]. Available from Internet, URL: <http://www.medical-spare-parts.com/sale-7696061-ge-marquette-one-piece-type-ecg-monitor-cable-3-6-meters-length.html> (Year: 2018).\*

\* cited by examiner

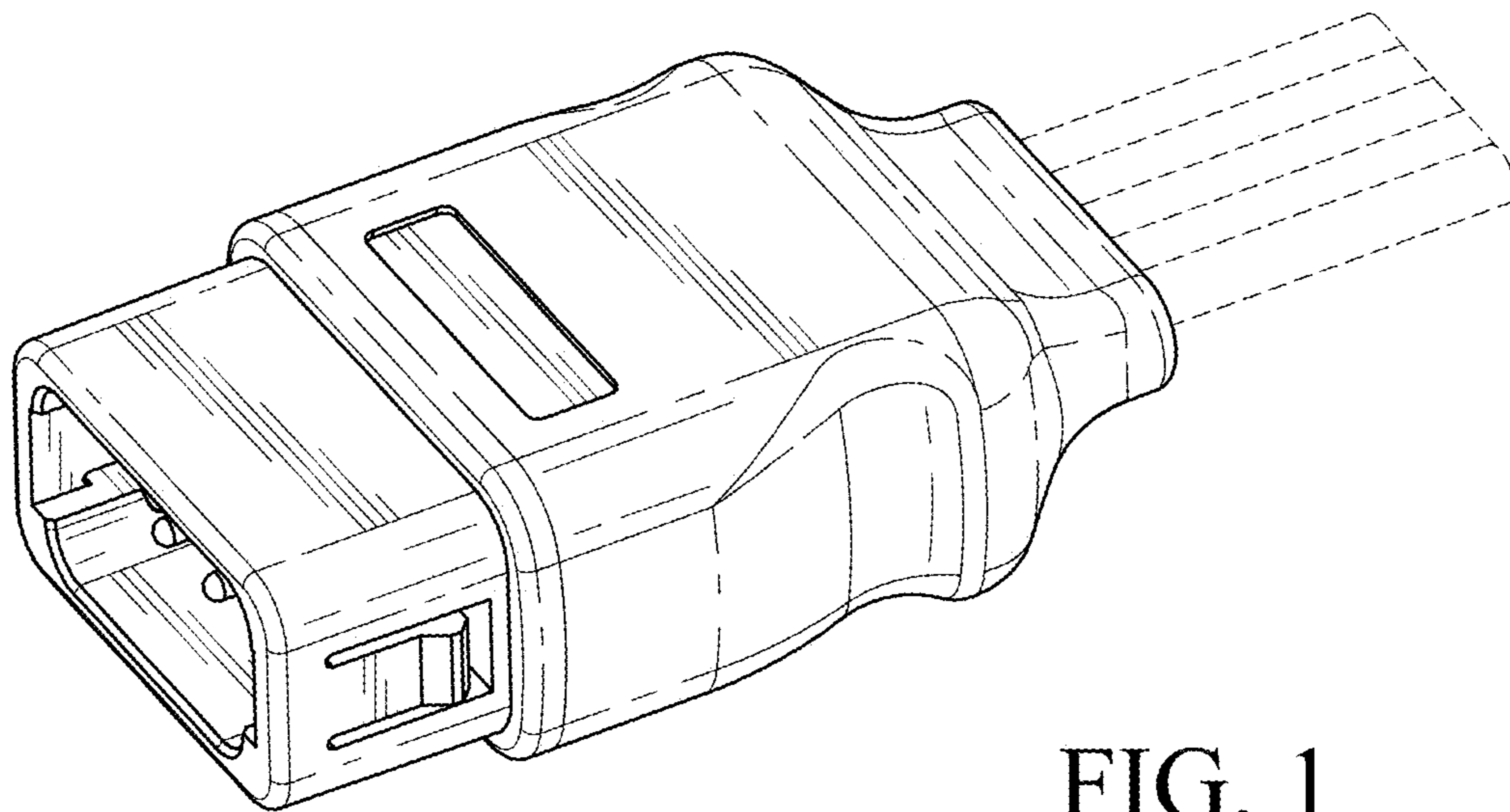


FIG. 1

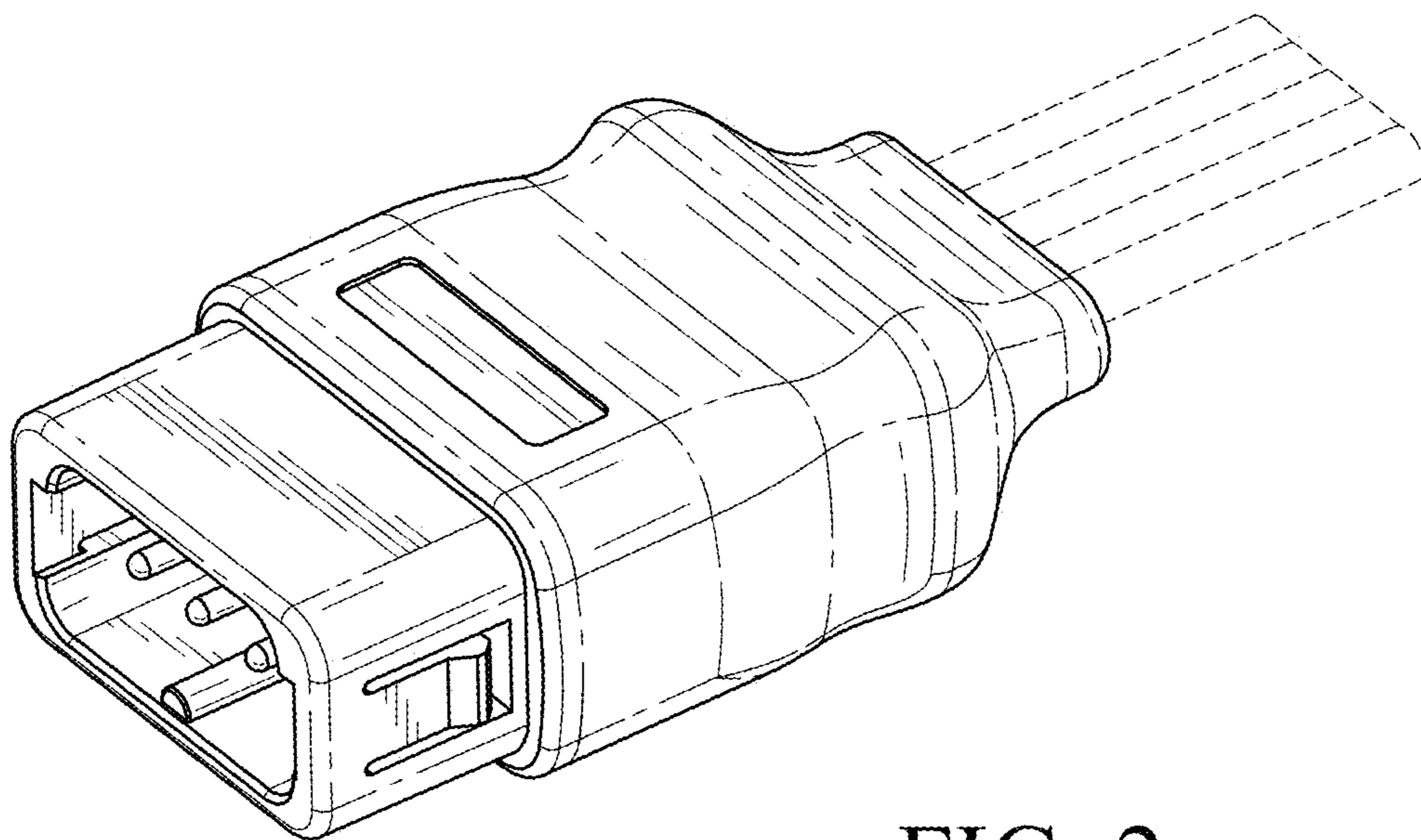


FIG. 2

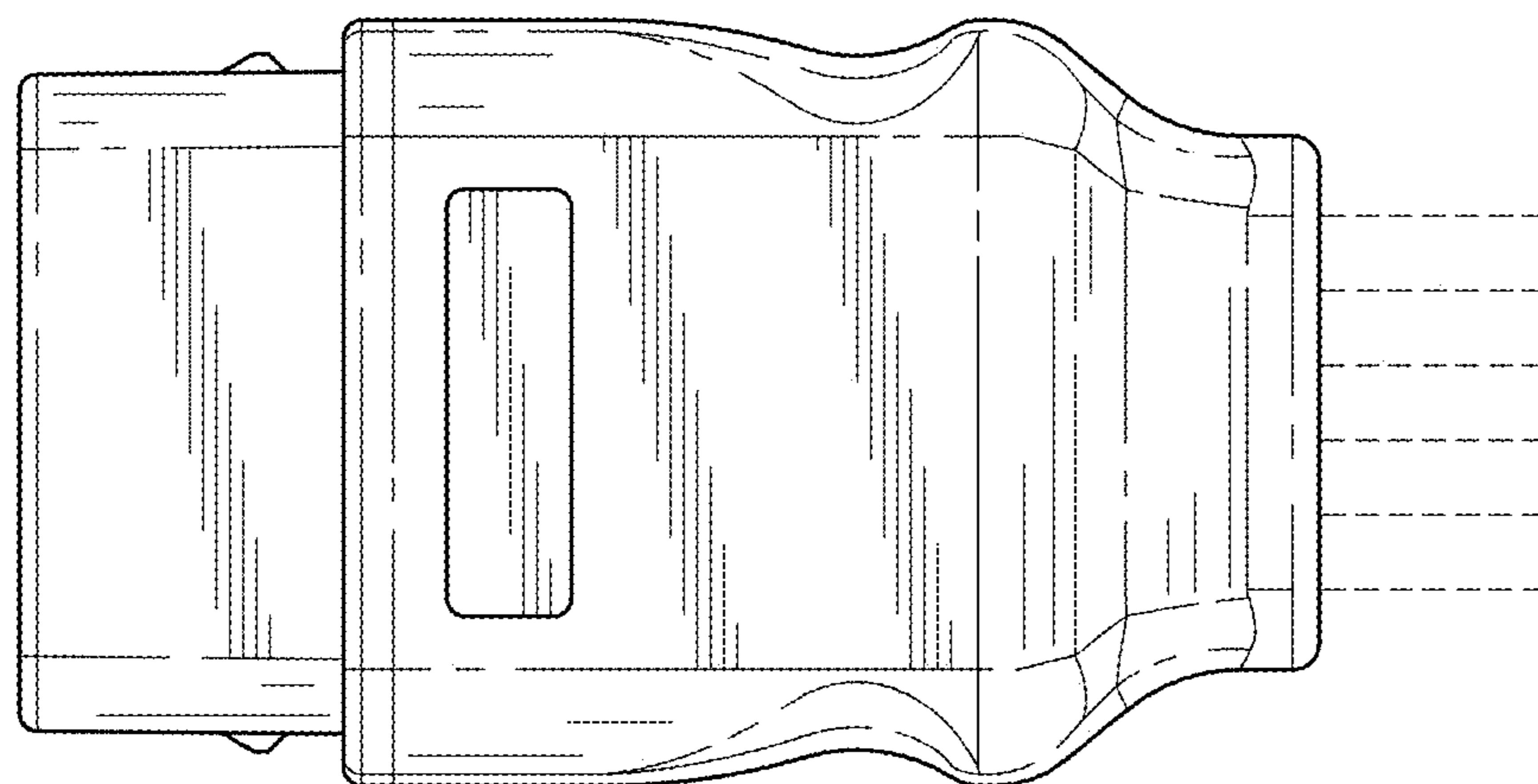


FIG. 3

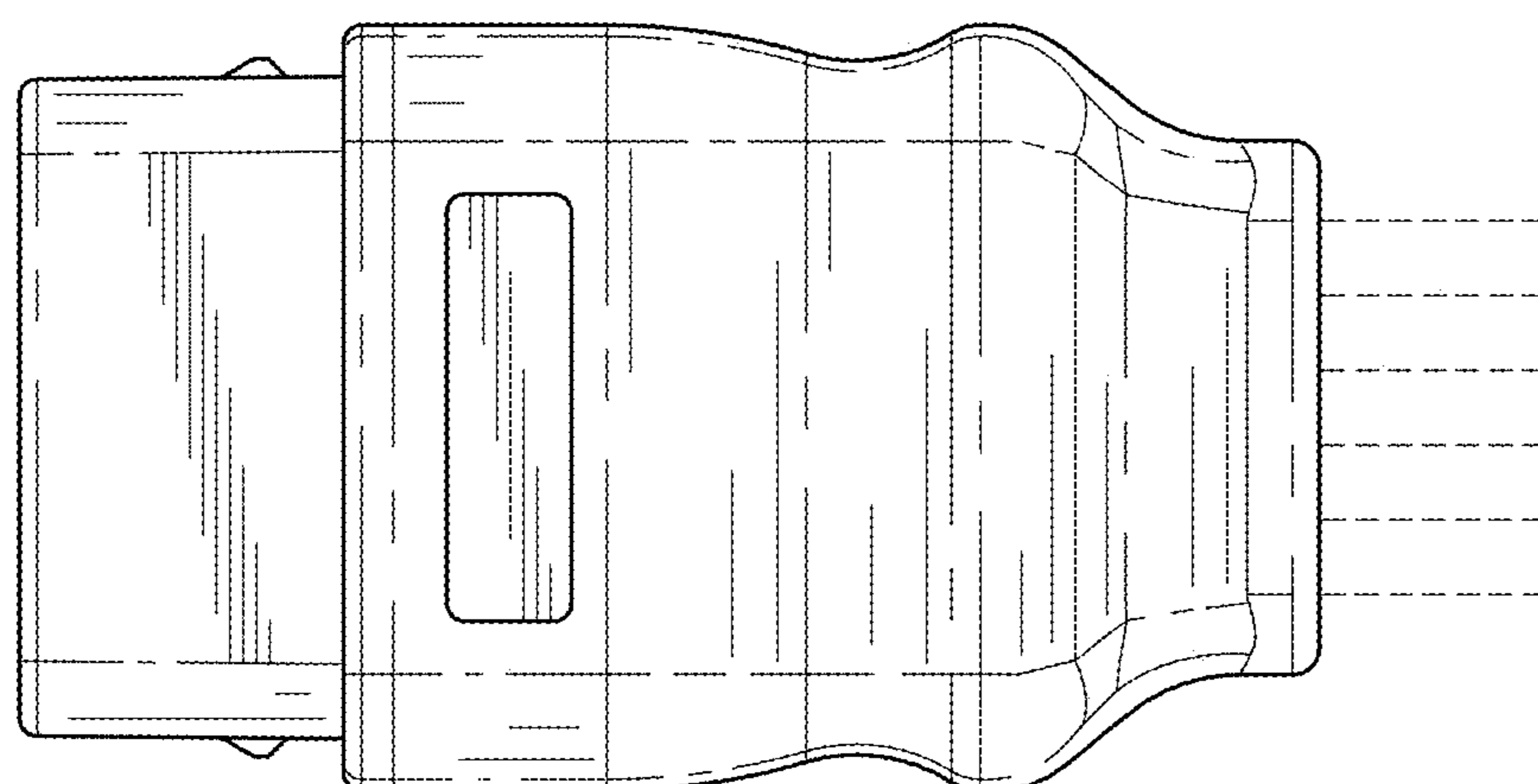


FIG. 4



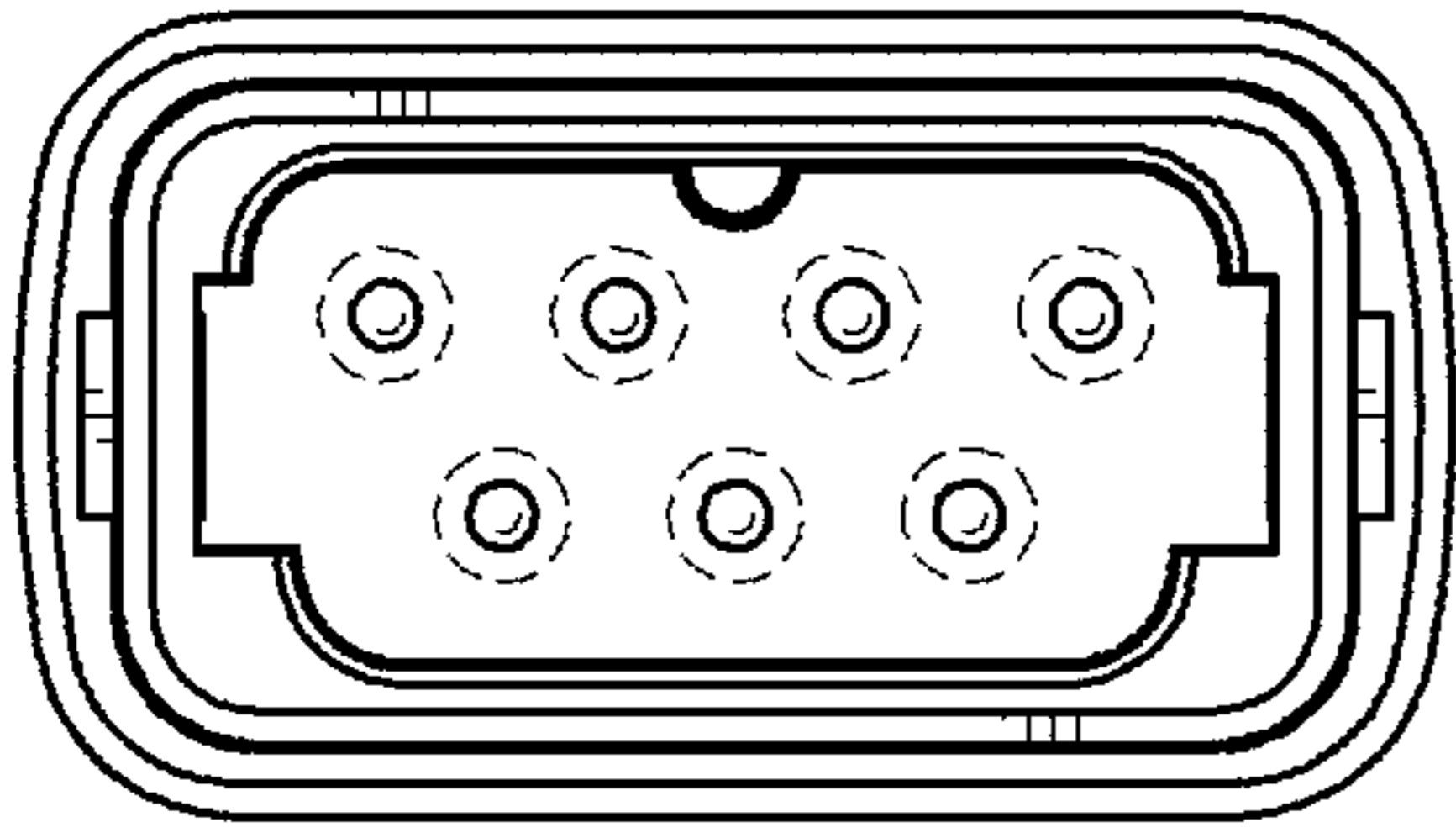


FIG. 5

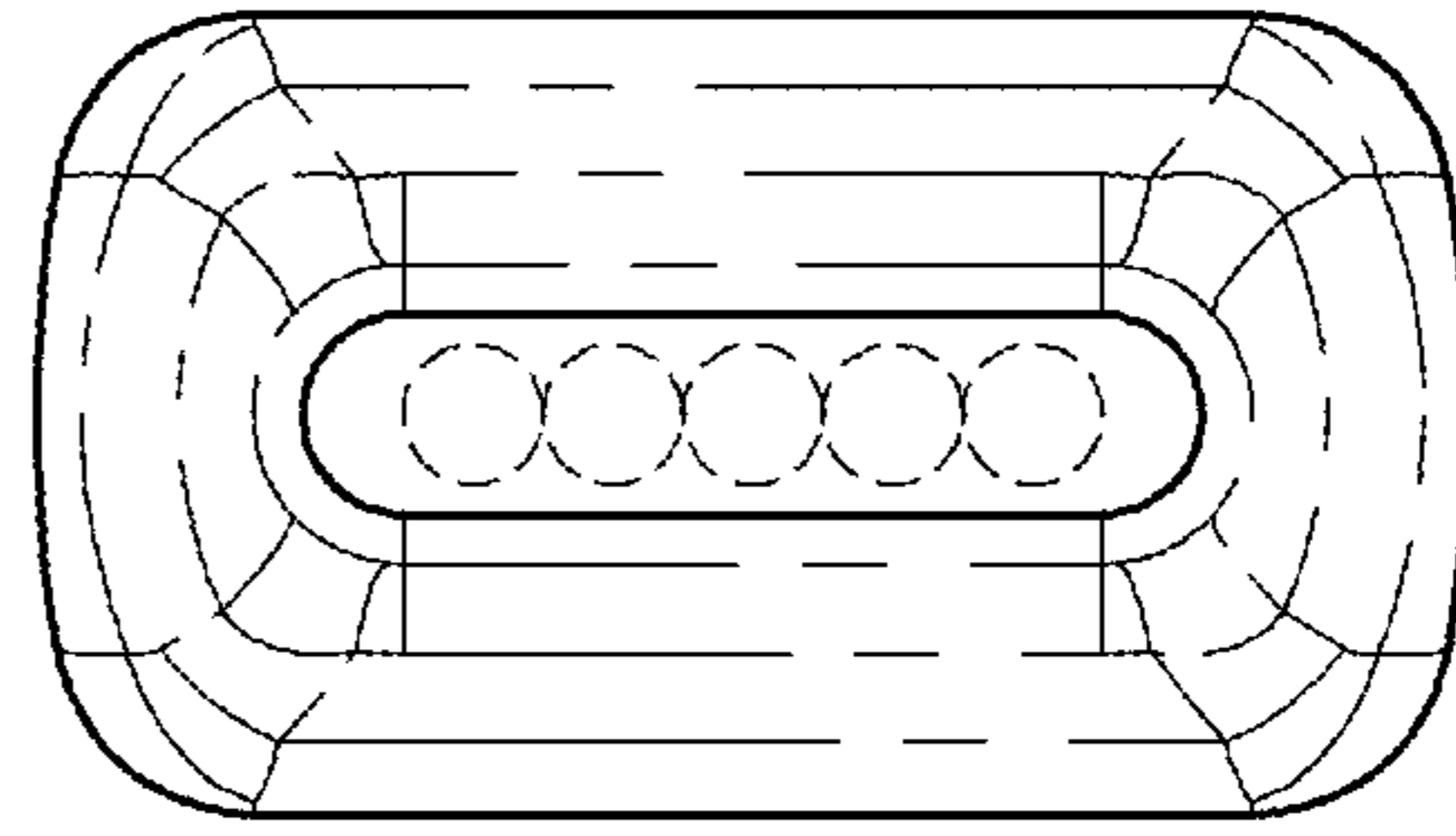


FIG. 6

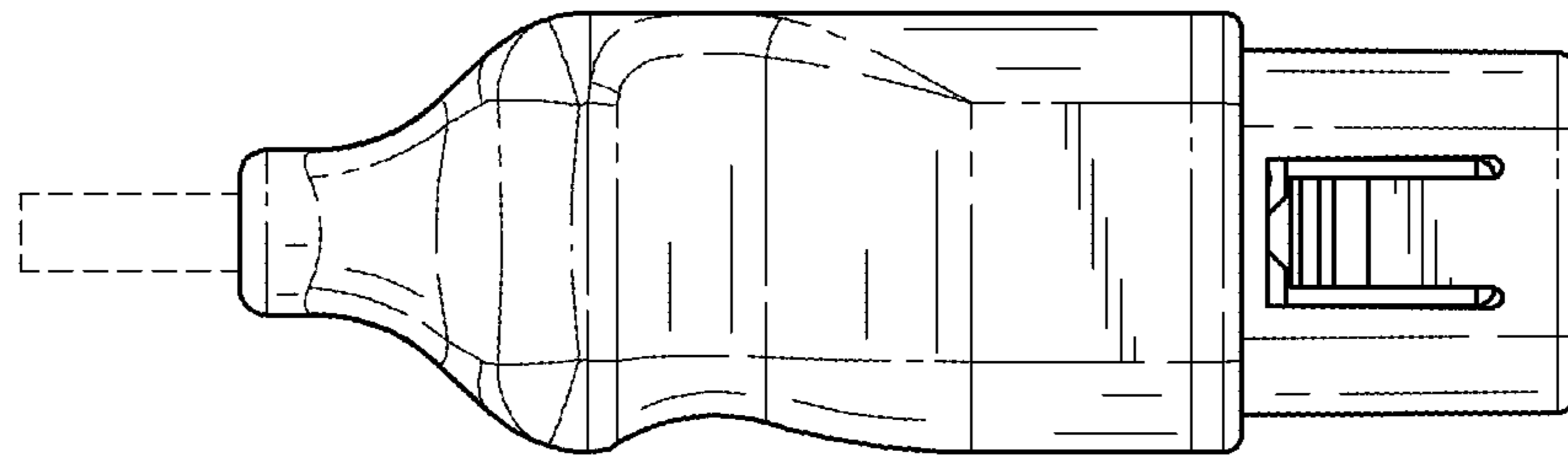


FIG. 7

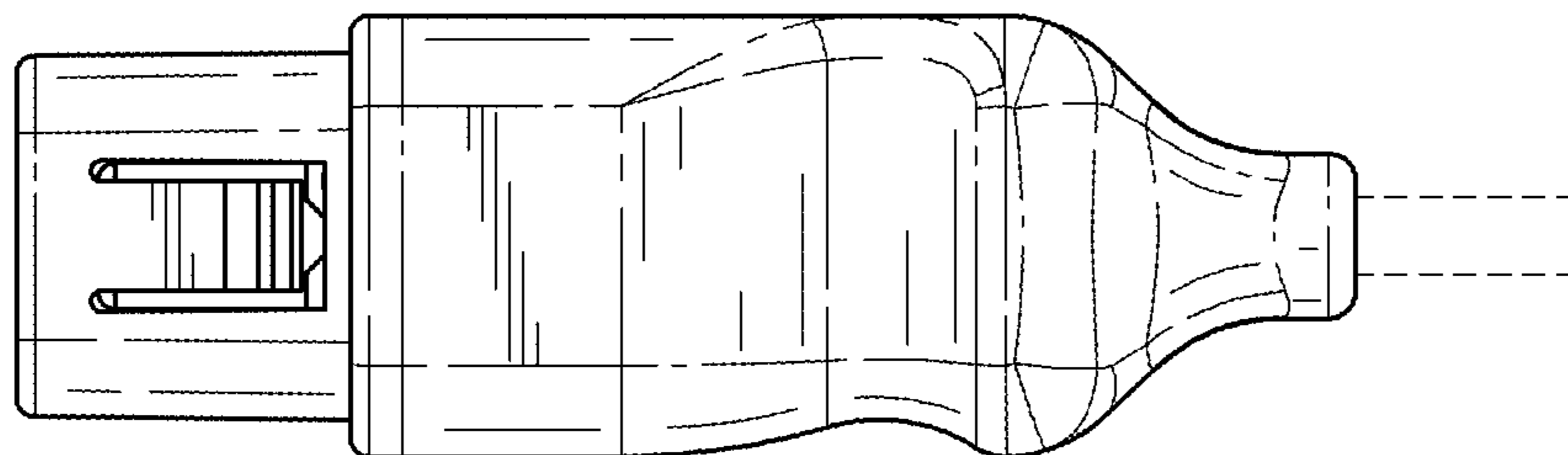


FIG. 8