



US00D892055S

(12) **United States Design Patent**  
**Wang**

(10) **Patent No.:** **US D892,055 S**

(45) **Date of Patent:** **\*\* Aug. 4, 2020**

- (54) **ELECTRICAL PLUG ADAPTER**
- (71) Applicant: **Zikang Wang**, Xianning (CN)
- (72) Inventor: **Bi-Yun Wang**, Xianning (CN)
- (73) Assignee: **Zikang Wang** (CN)
- (\*\*) Term: **15 Years**
- (21) Appl. No.: **29/659,591**
- (22) Filed: **Aug. 9, 2018**
- (51) **LOC (12) Cl.** ..... **13-03**
- (52) **U.S. Cl.**  
USPC ..... **D13/137.2**
- (58) **Field of Classification Search**  
USPC ..... D13/103, 107, 108, 110, 118, 119, 123,  
D13/133, 137.1-137.4, 138.1-138.2,  
D13/139.1-139.8, 152-154, 184, 199  
CPC ..... H01R 25/00; H01R 25/006; H01R 13/00;  
H01R 13/04; H01R 13/10; H01R  
13/6666; H01R 13/6675; H01R 9/00;  
H01R 11/00; H01H 2207/00; H01H  
2207/022; H01H 2203/00; H02J 7/00;  
H02J 7/0003; H02J 7/0011; H02J 7/0013;  
H02J 7/0054; H02J 7/0055; H02J 7/0057;  
H01M 2/02; H01M 2/022; H01M 2/0202;  
H01M 2/0207; H01M 2/0212; H01M  
2220/10; H01M 2220/20; Y02E 60/12;  
Y02E 60/122; Y02E 60/124; Y02E 60/50  
See application file for complete search history.

(56) **References Cited**

**U.S. PATENT DOCUMENTS**

- 7,445,513 B1 \* 11/2008 Lee ..... H01R 31/06  
439/131
- D623,595 S \* 9/2010 Ruffner ..... D13/110
- D657,314 S \* 4/2012 Ruffner ..... D13/139.1

- 8,157,578 B2 \* 4/2012 Lee ..... H01R 31/06  
439/172
- 8,182,276 B2 \* 5/2012 Ruffner ..... H01R 24/78  
439/172
- 8,382,493 B2 \* 2/2013 Ruffner ..... H01R 27/00  
439/105
- D702,639 S \* 4/2014 Ruffner ..... D13/110
- D829,663 S \* 10/2018 Liu ..... D13/137.2
- D830,307 S \* 10/2018 Liu ..... D13/137.2
- D838,245 S \* 1/2019 Lin ..... D13/137.2
- D848,947 S \* 5/2019 Liu ..... D13/137.2
- D851,596 S \* 6/2019 Koch ..... D13/137.2
- D855,571 S \* 8/2019 Zeng ..... D13/137.2
- D856,933 S \* 8/2019 Lin ..... D13/137.2
- D858,446 S \* 9/2019 Liu ..... D13/137.2

\* cited by examiner

*Primary Examiner* — Rosemary K Tarcza

*Assistant Examiner* — Christy M Nemeth

(74) *Attorney, Agent, or Firm* — Bruce Stone LLP;  
Joseph A. Bruce

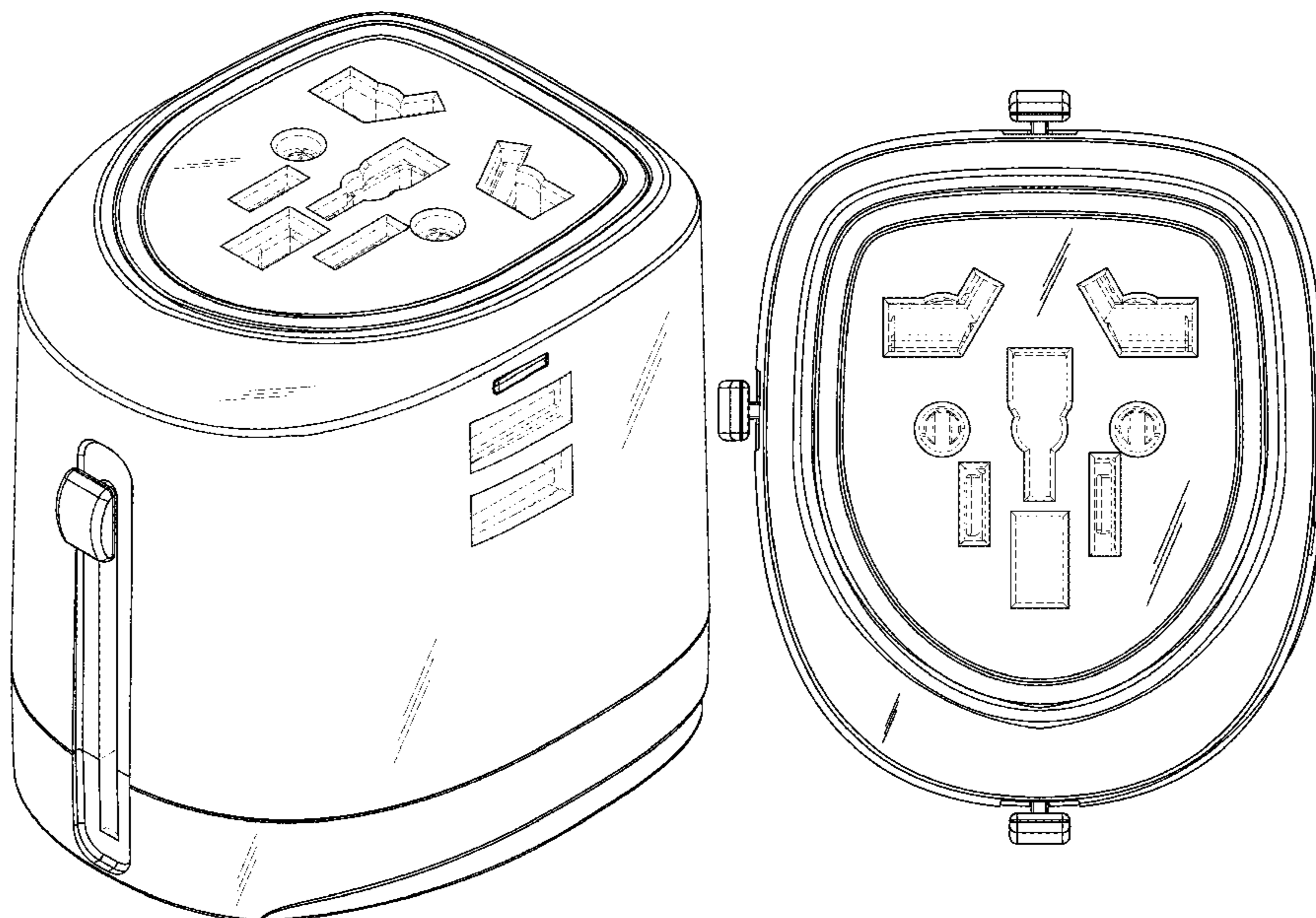
(57) **CLAIM**

The ornamental design for an electrical plug adapter, as shown and described.

**DESCRIPTION**

FIG. 1 is a top perspective view of the electrical plug adapter, showing my new design;  
 FIG. 2 is a front elevational view thereof;  
 FIG. 3 is a rear elevational view thereof;  
 FIG. 4 is a left side elevational view thereof;  
 FIG. 5 is a right side elevational view thereof;  
 FIG. 6 is a top plan view thereof; and,  
 FIG. 7 is a bottom plan view thereof.  
 The broken lines in the drawings are for the purpose of illustrating portions of the electrical plug adapter that form no part of the claimed design.

**1 Claim, 7 Drawing Sheets**



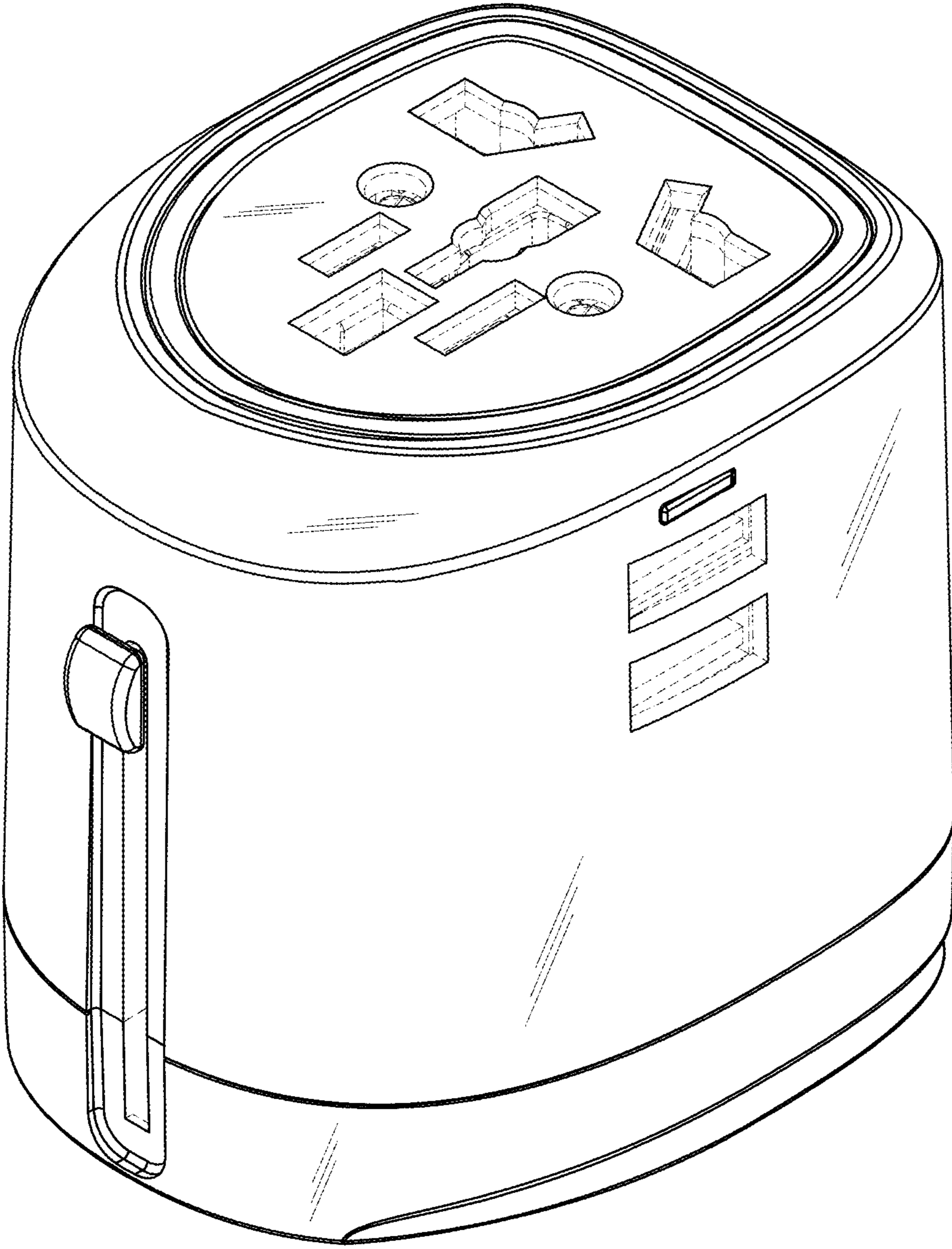


FIG.1

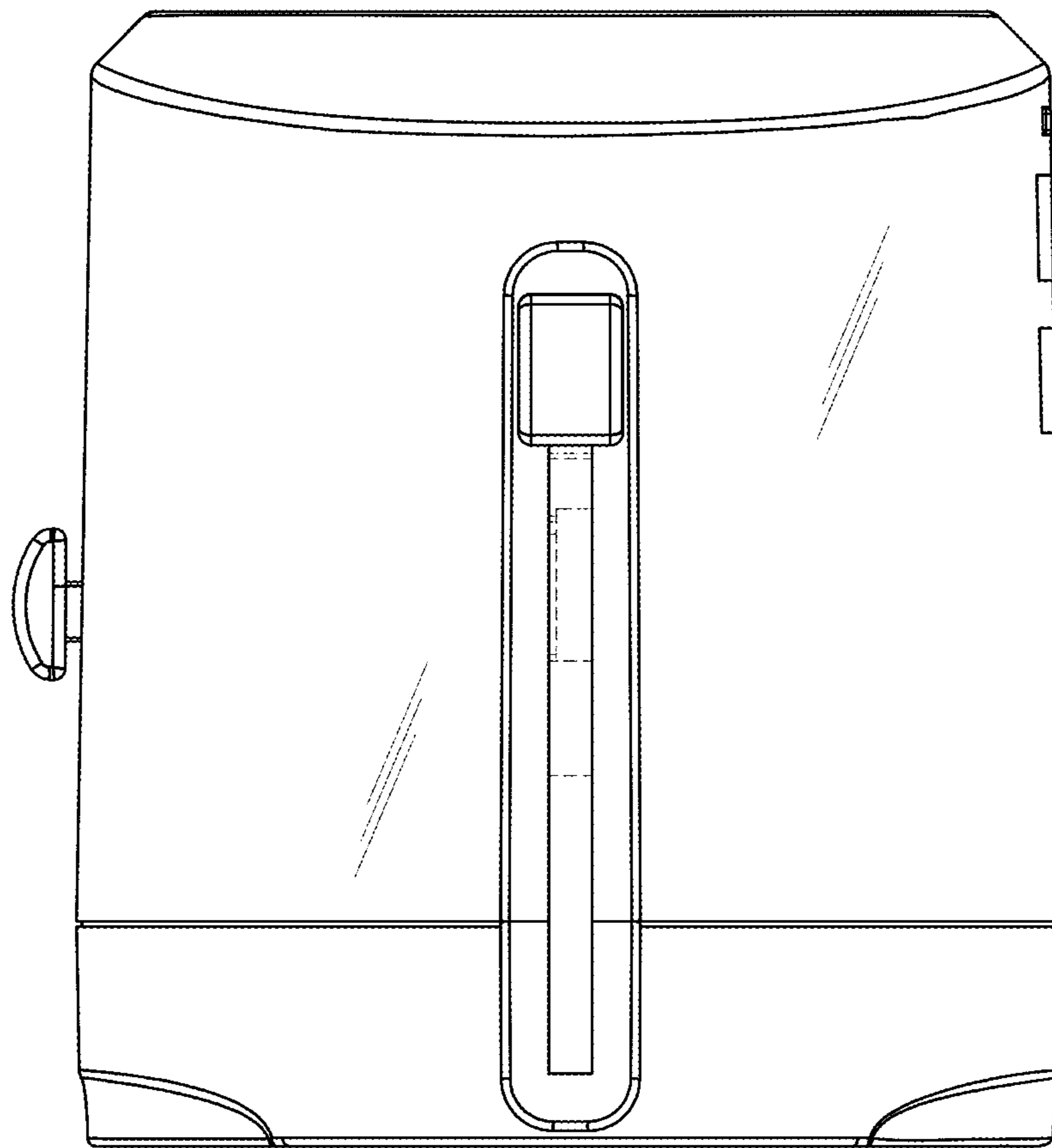


FIG.2

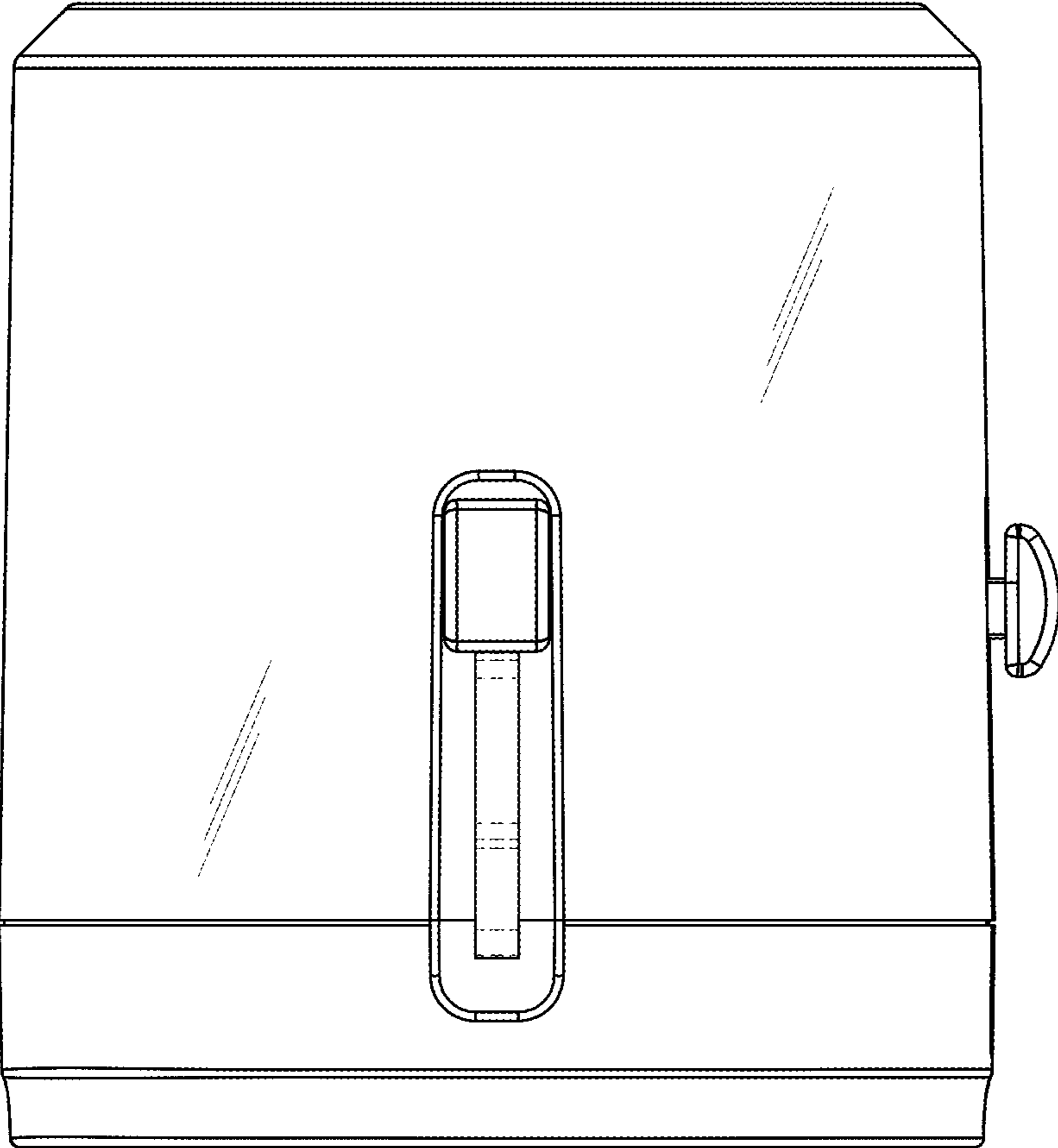


FIG.3

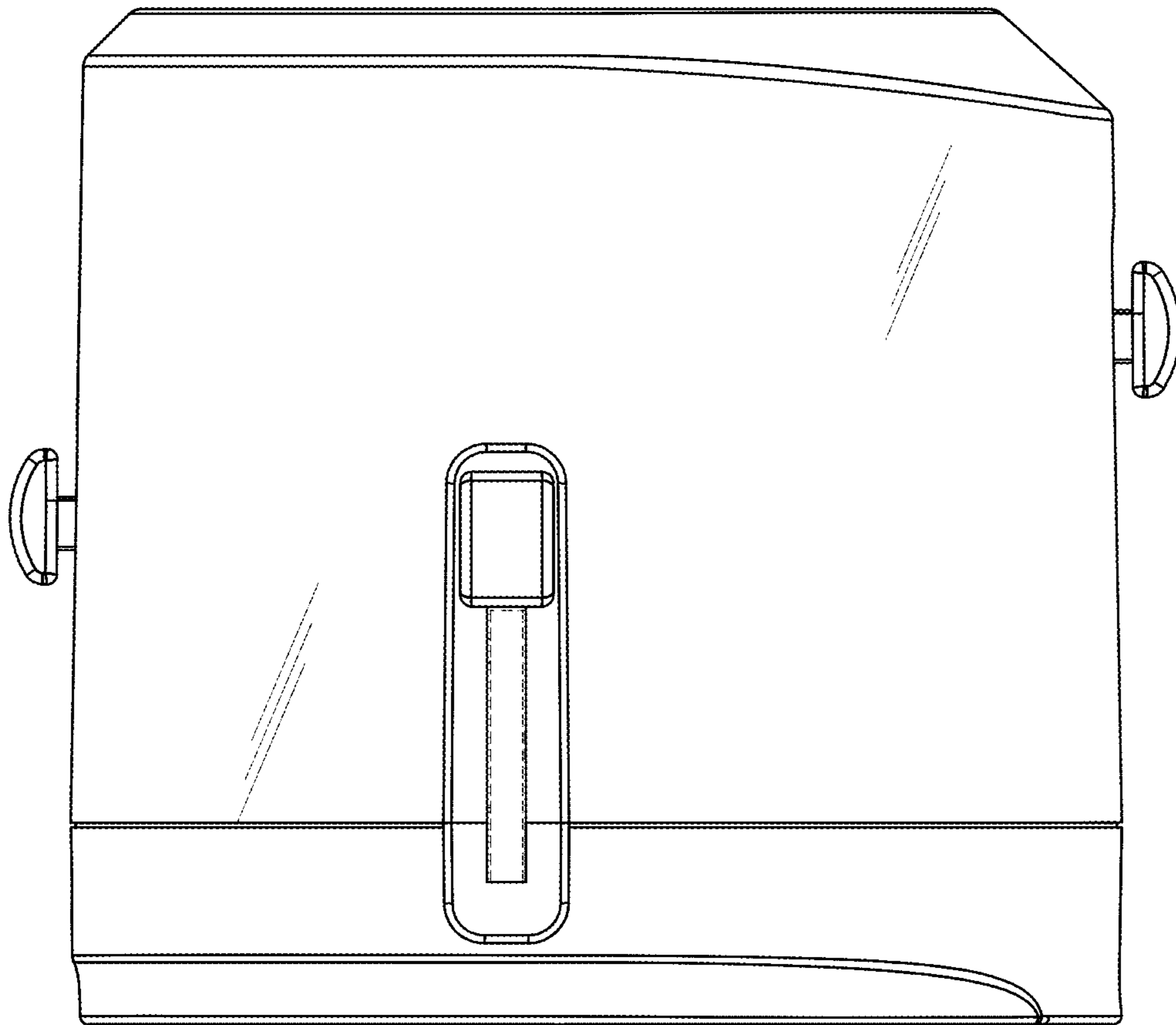


FIG.4

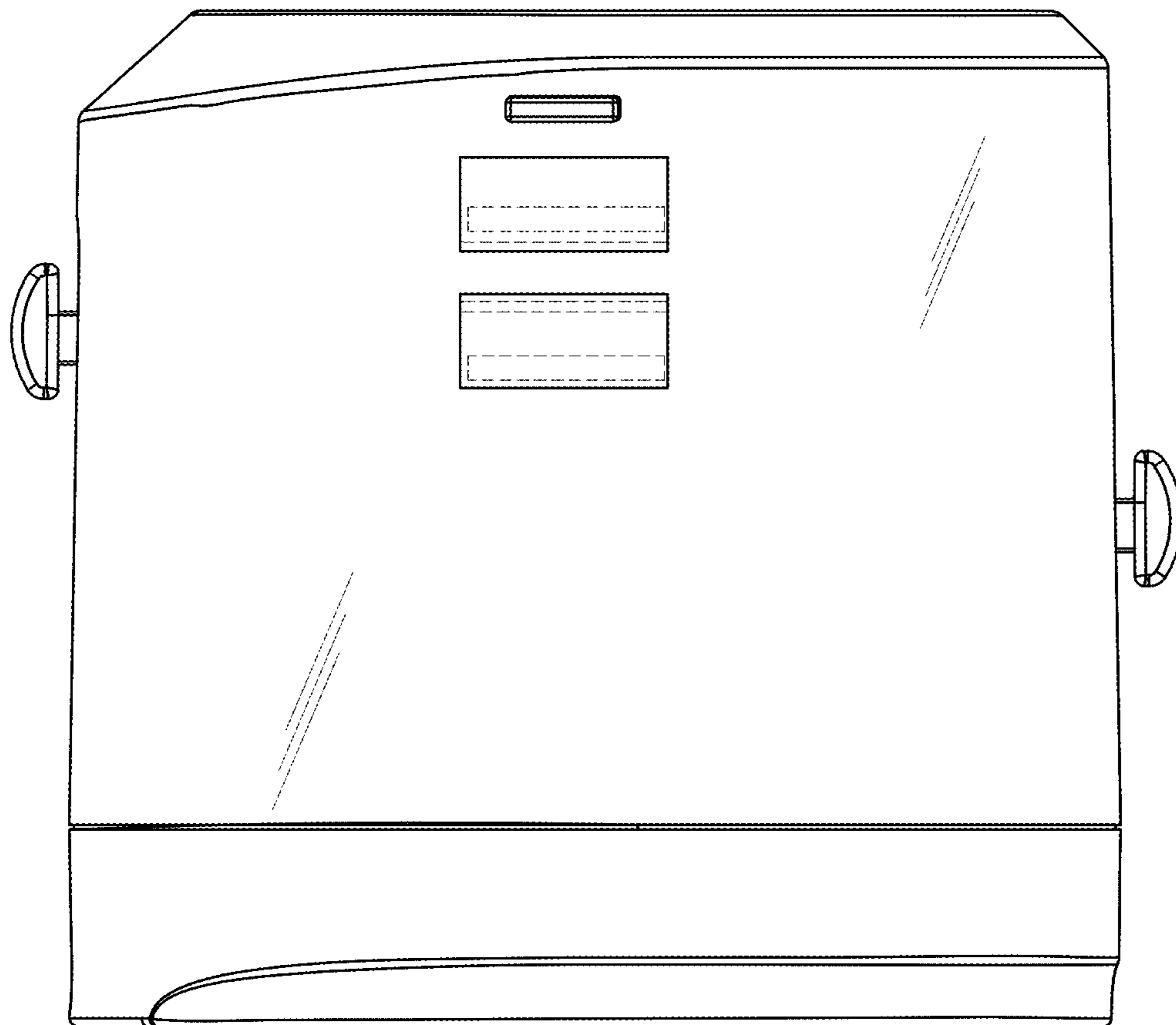


FIG.5



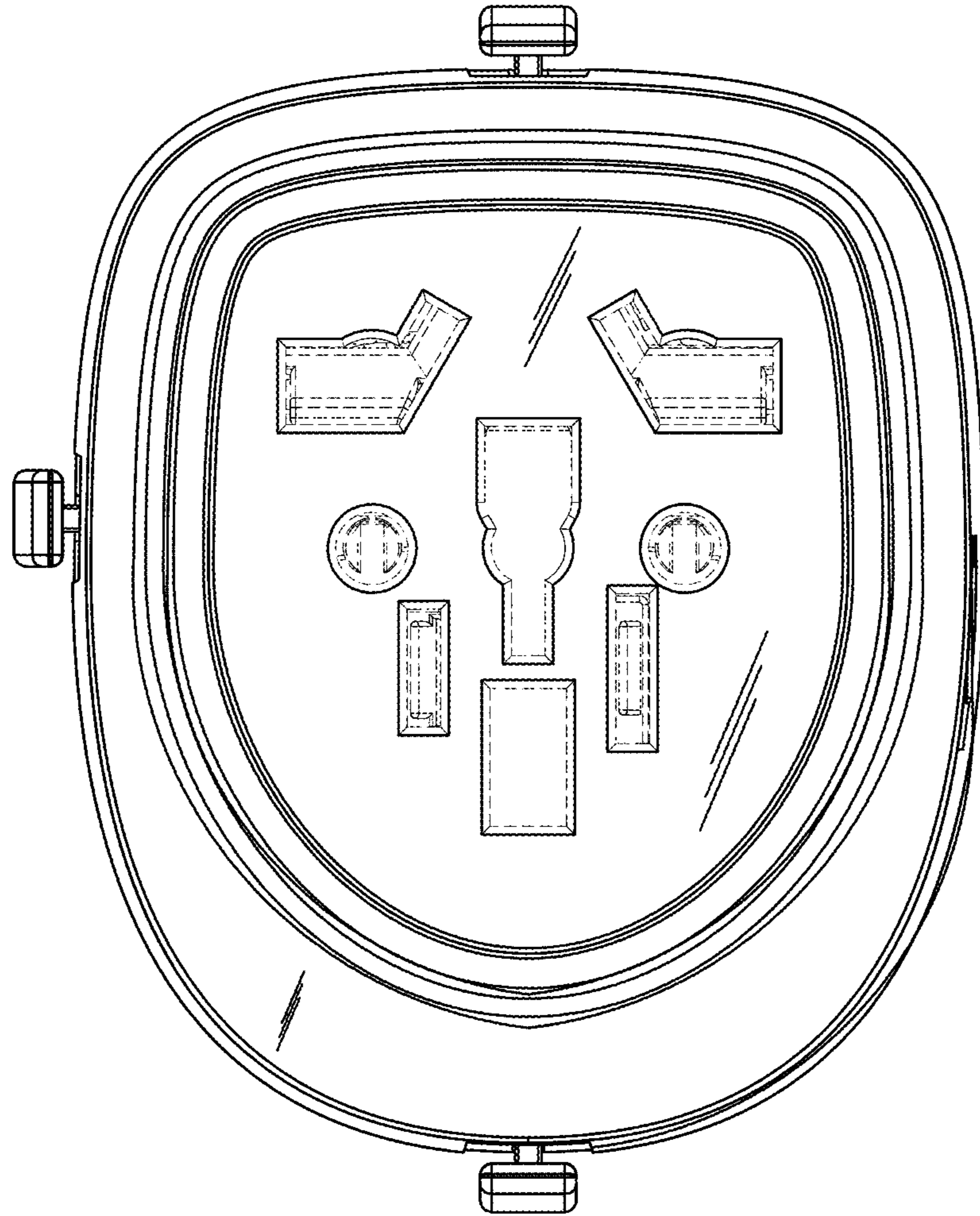


FIG.6

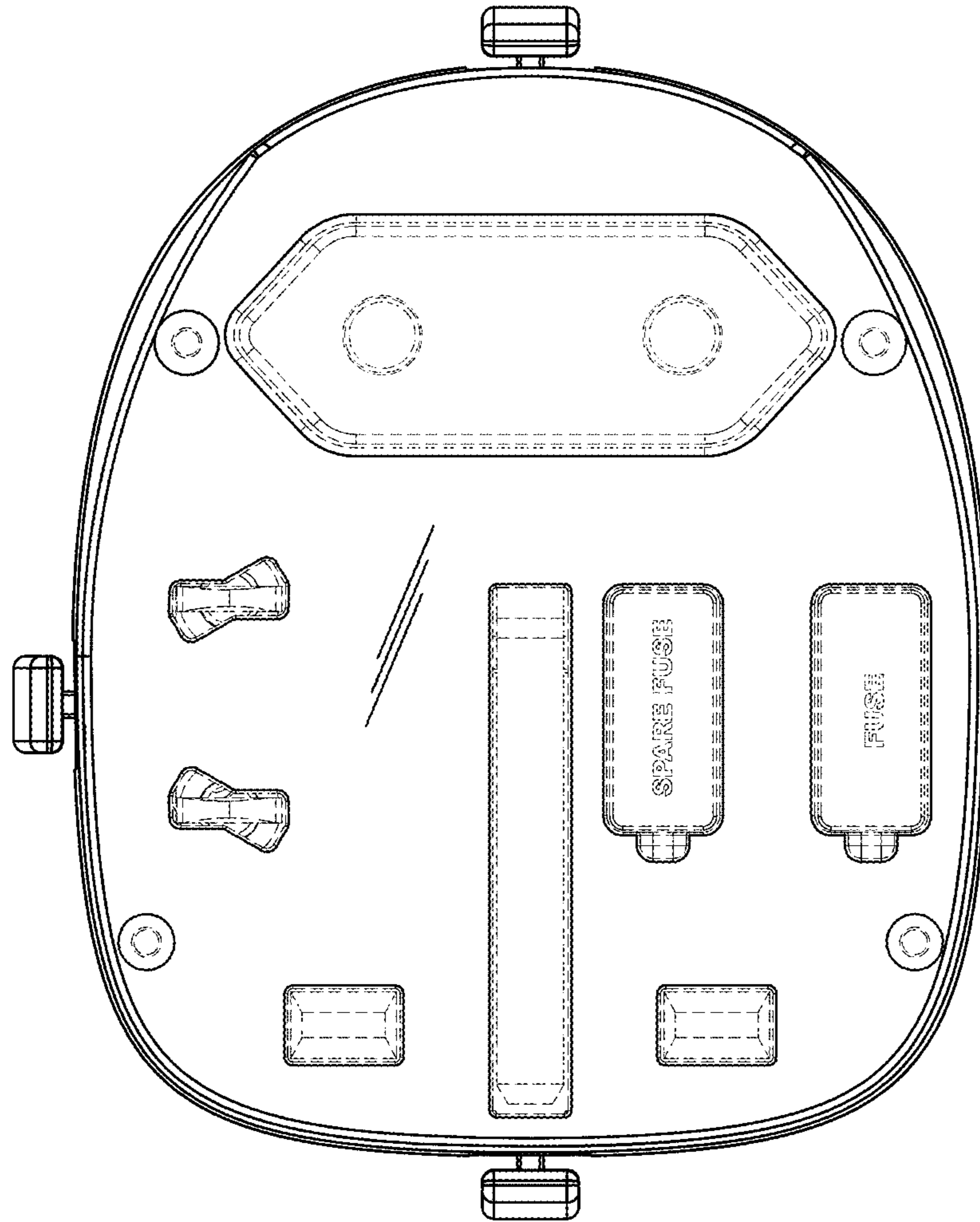


FIG.7