

US00D892053S

(12) **United States Design Patent** (10) **Patent No.:** **US D892,053 S**
Hu (45) **Date of Patent:** **** Aug. 4, 2020**

(54) **ELECTRIC CABLE SOCKET**

(71) Applicant: **Qingdao Baobin Electronics Technology Co., Ltd.**, Qingdao, Shandong (CN)

(72) Inventor: **Baobin Hu**, Shandong (CN)

(**) Term: **15 Years**

(21) Appl. No.: **29/709,594**

(22) Filed: **Oct. 16, 2019**

(51) **LOC (12) Cl.** **13-03**

(52) **U.S. Cl.**
USPC **D13/133**

(58) **Field of Classification Search**
USPC D13/107, 108, 110, 123, 133, 146, 147, D13/149, 153, 154, 156, 173, 184, 199
CPC ... G02B 6/38; H01R 4/66; H01R 9/00; H01R 11/00; H01R 12/24; H01R 13/00; H01R 13/436; H01R 13/58; H01R 13/625; H01R 13/627; H01R 13/64; H01R 13/645
See application file for complete search history.

(56) **References Cited**

U.S. PATENT DOCUMENTS

D196,111 S *	8/1963	Krehbiel	D13/147
D244,860 S *	6/1977	Jaconette	D13/138.1
5,984,718 A *	11/1999	James	H01R 13/64 439/504
D449,818 S *	10/2001	Hiramoto	D13/133
D502,919 S *	3/2005	Studnicky, III	D13/146
D555,106 S *	11/2007	Pape	D13/158
D608,285 S *	1/2010	Sato	D13/146
D684,118 S *	6/2013	Yang	D13/133
D689,821 S *	9/2013	Yang	D13/133
D759,599 S *	6/2016	Kobayashi	D13/147
D840,938 S *	2/2019	Hsu	D13/147
D858,447 S	9/2019	Chen		

D876,354 S *	2/2020	Wang	D13/120
D879,042 S *	3/2020	Hu	D13/133
D879,043 S *	3/2020	Hu	D13/133
2011/0086556 A1 *	4/2011	Hollander	H01R 4/4836 439/733.1
2012/0243831 A1 *	9/2012	Chen	G02B 6/3825 385/55
2014/0133807 A1 *	5/2014	Kato	G02B 6/3821 385/78
2015/0055928 A1 *	2/2015	Yoshizaki	G02B 6/3849 385/139
2016/0033723 A1 *	2/2016	Liu	G02B 6/3897 385/56
2020/0194931 A1 *	6/2020	Shimomaki	H01R 13/631

* cited by examiner

Primary Examiner — Angela J Lee
Assistant Examiner — Shawn T Gingrich
(74) *Attorney, Agent, or Firm* — ZANIP

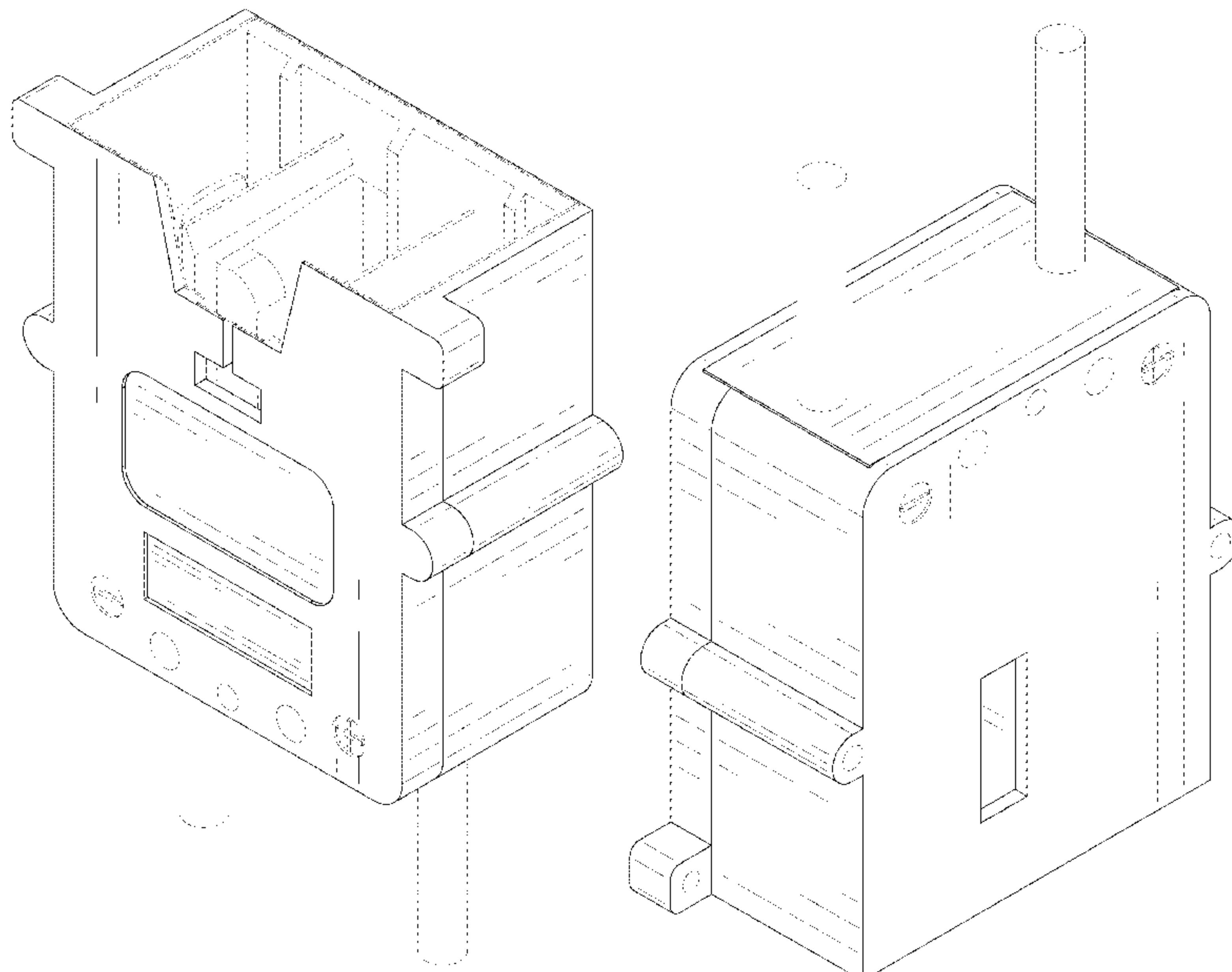
(57) **CLAIM**

The ornamental design for an electric cable socket, as shown and described.

DESCRIPTION

FIG. 1 is a front and top perspective view of an electric cable socket, showing my new design;
FIG. 2 is a rear and bottom perspective view thereof;
FIG. 3 is a front elevational view thereof;
FIG. 4 is a rear elevational view thereof;
FIG. 5 is a left side elevational view thereof;
FIG. 6 is a right side elevational view thereof;
FIG. 7 is a top plan view thereof; and,
FIG. 8 is a bottom plan view thereof.
The broken lines in the figures illustrate portions of the electric cable socket that form no part of the claimed design. The dot-dash line illustrates the boundary of the claimed design and forms no part of the claimed design.

1 Claim, 8 Drawing Sheets



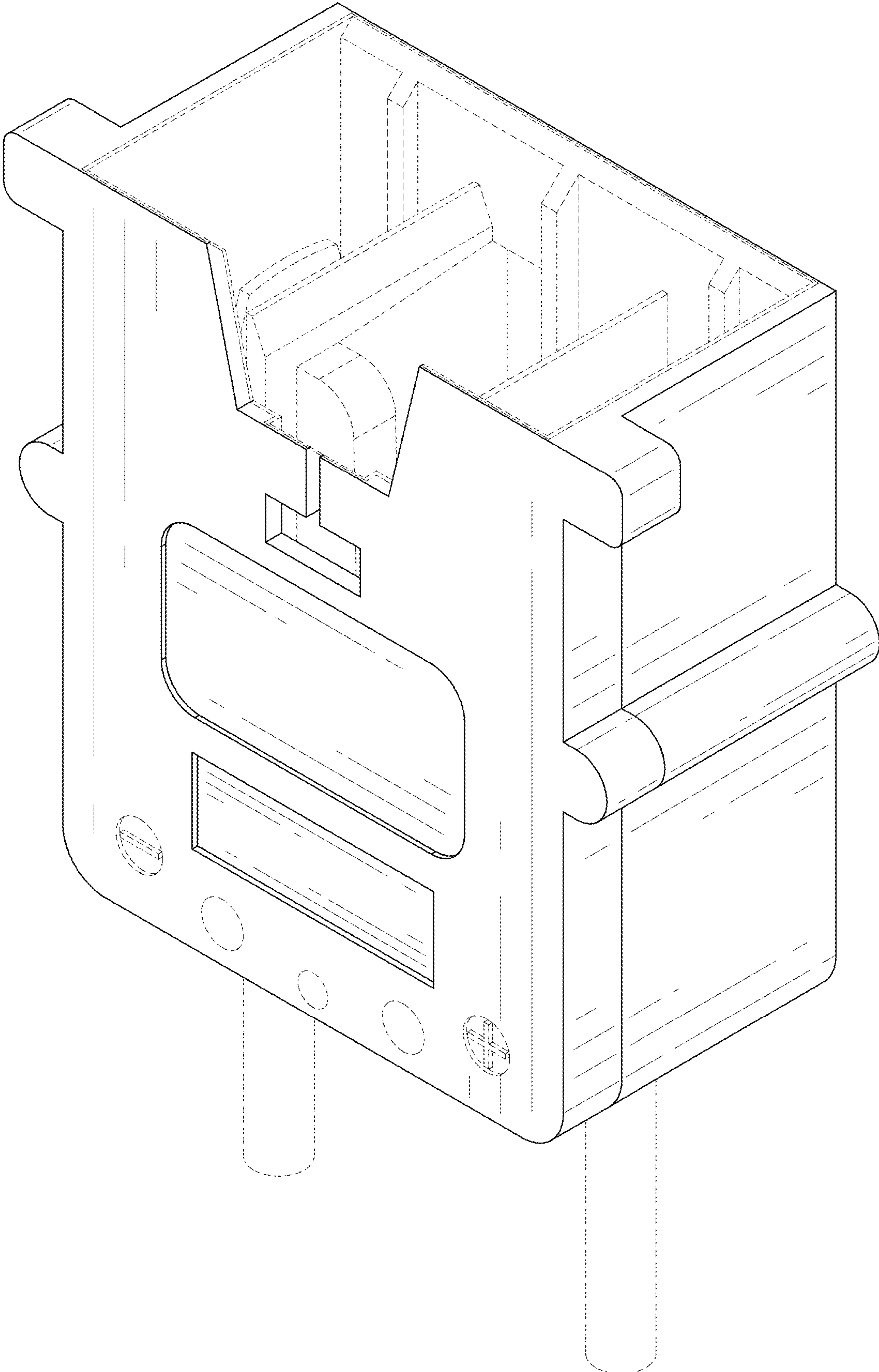


FIG. 1

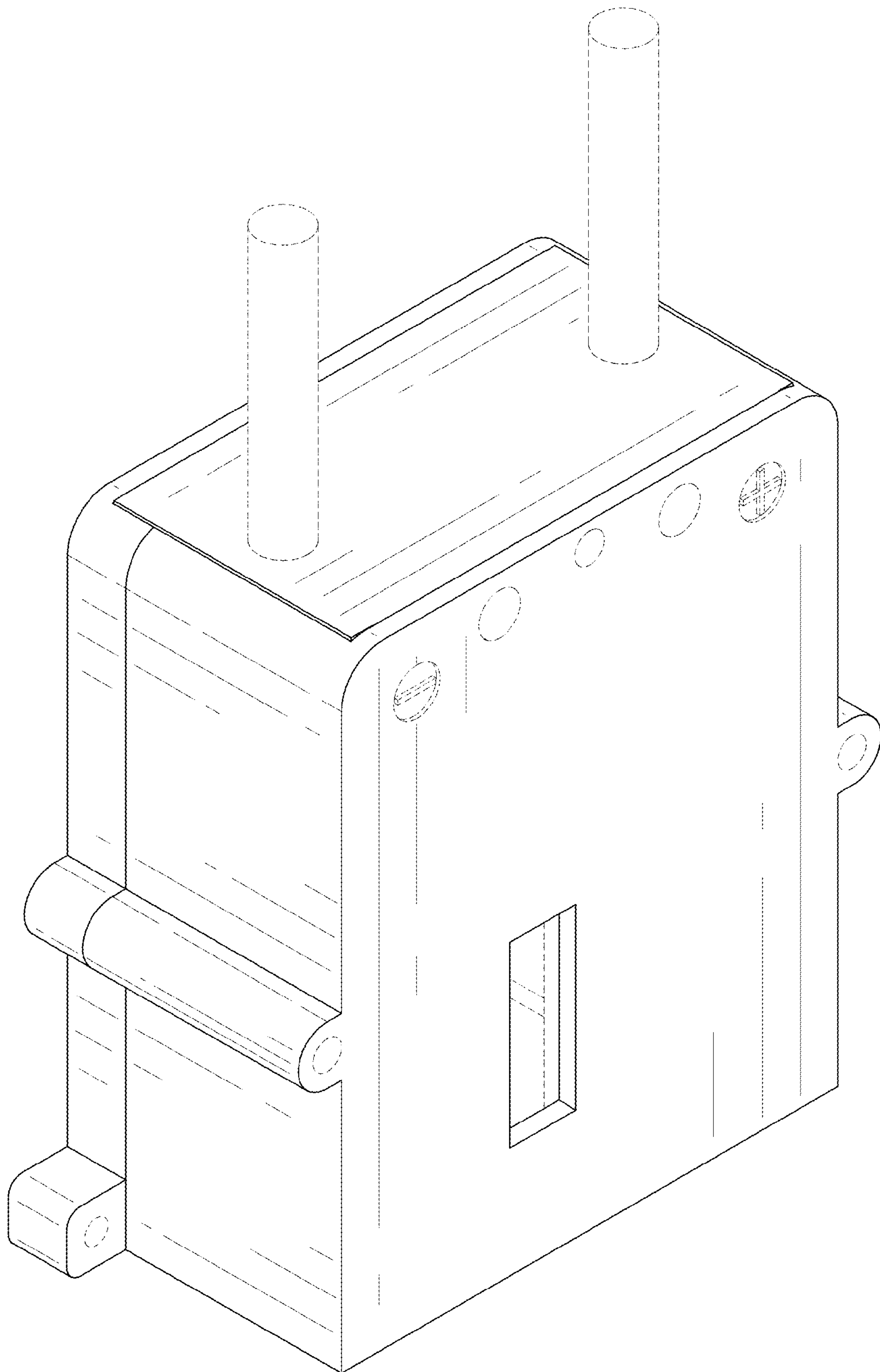


FIG. 2

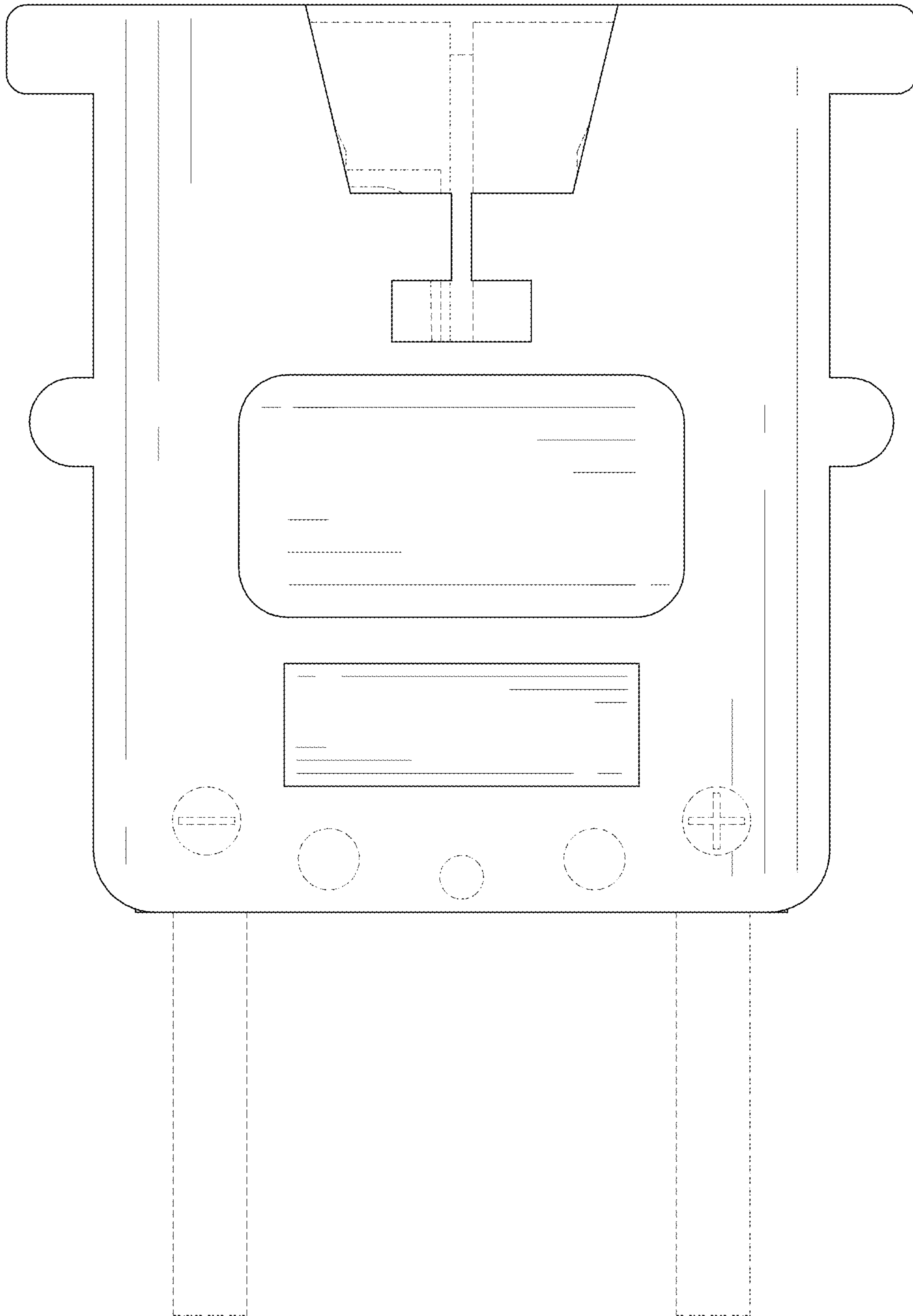


FIG. 3

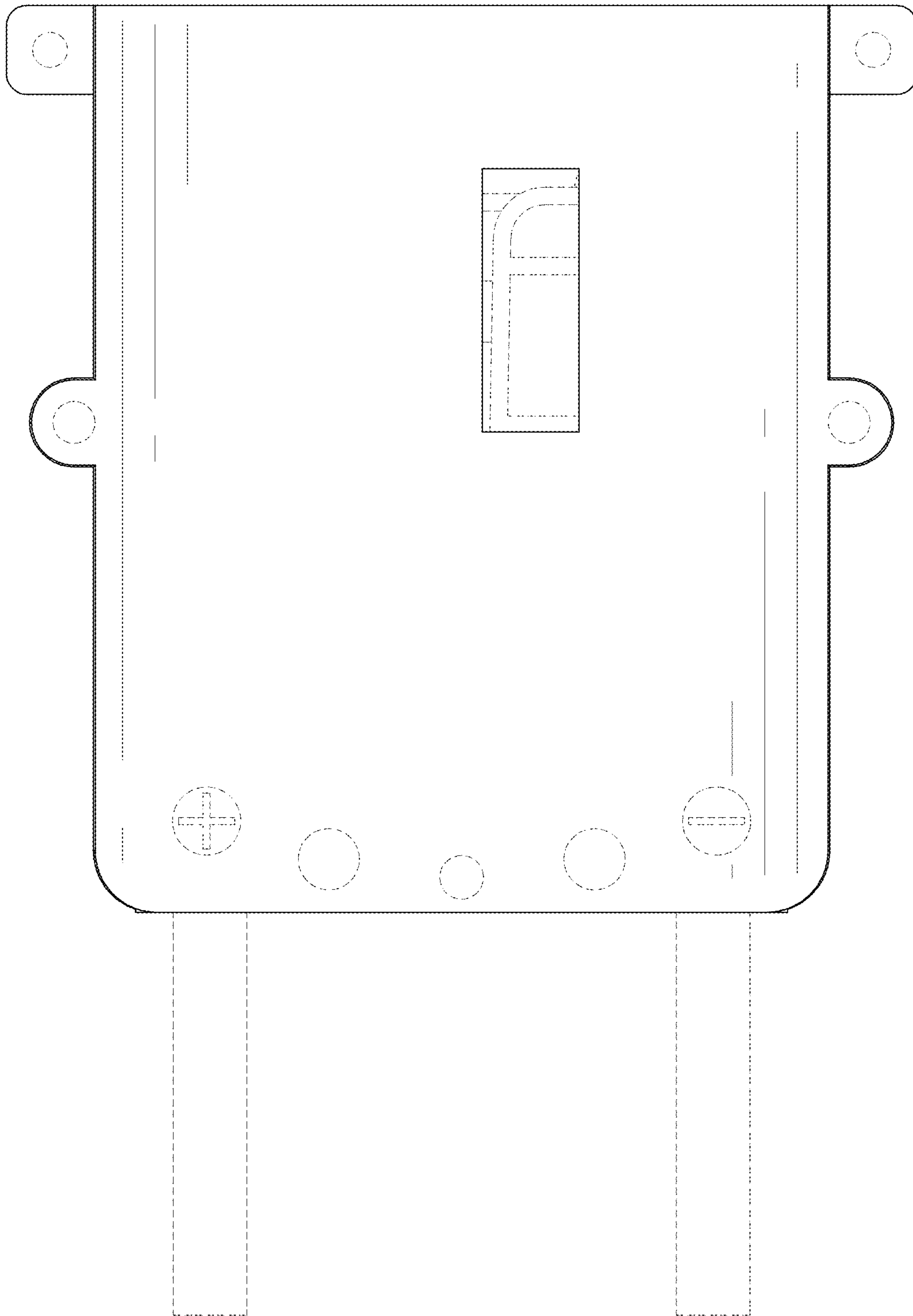


FIG. 4

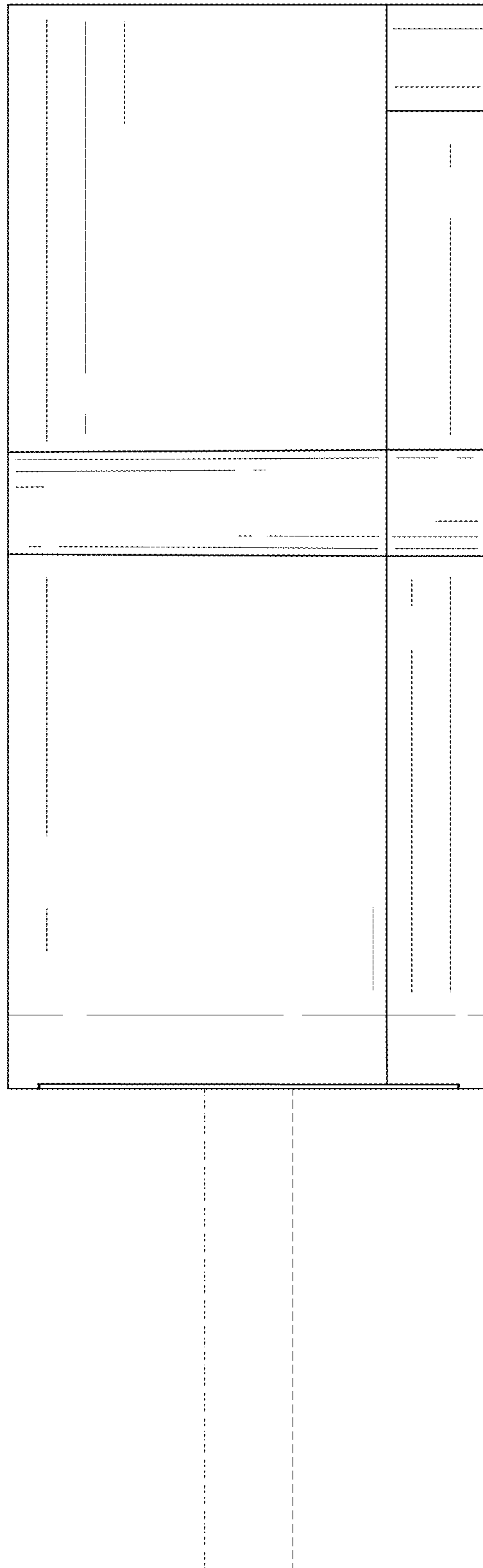


FIG. 5

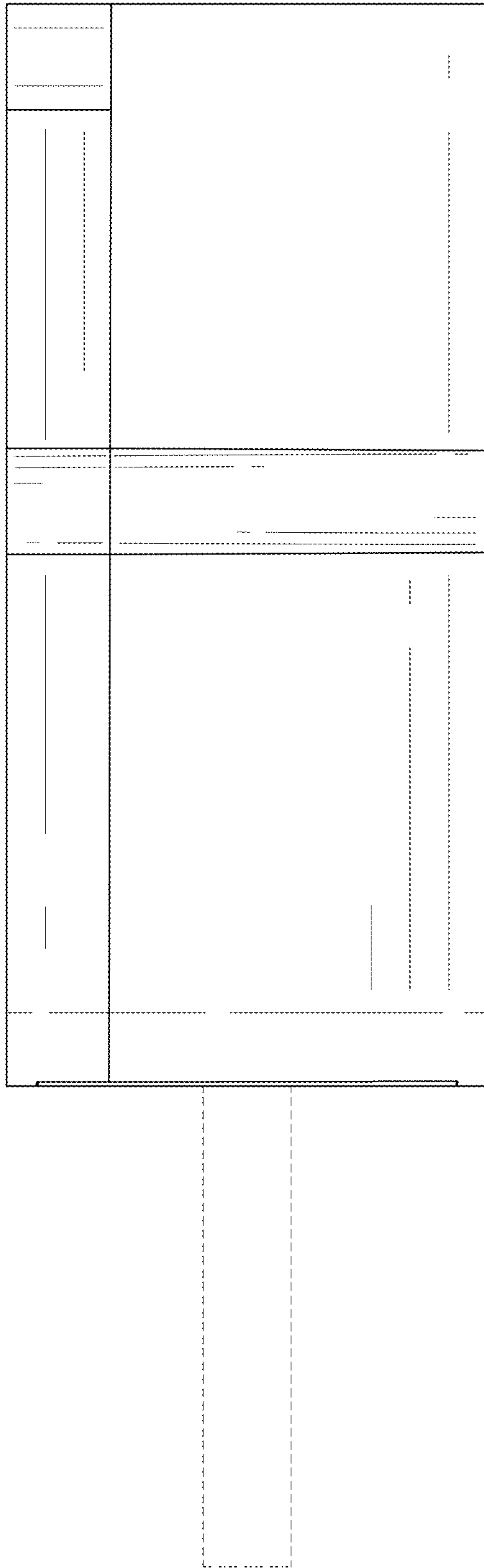


FIG. 6

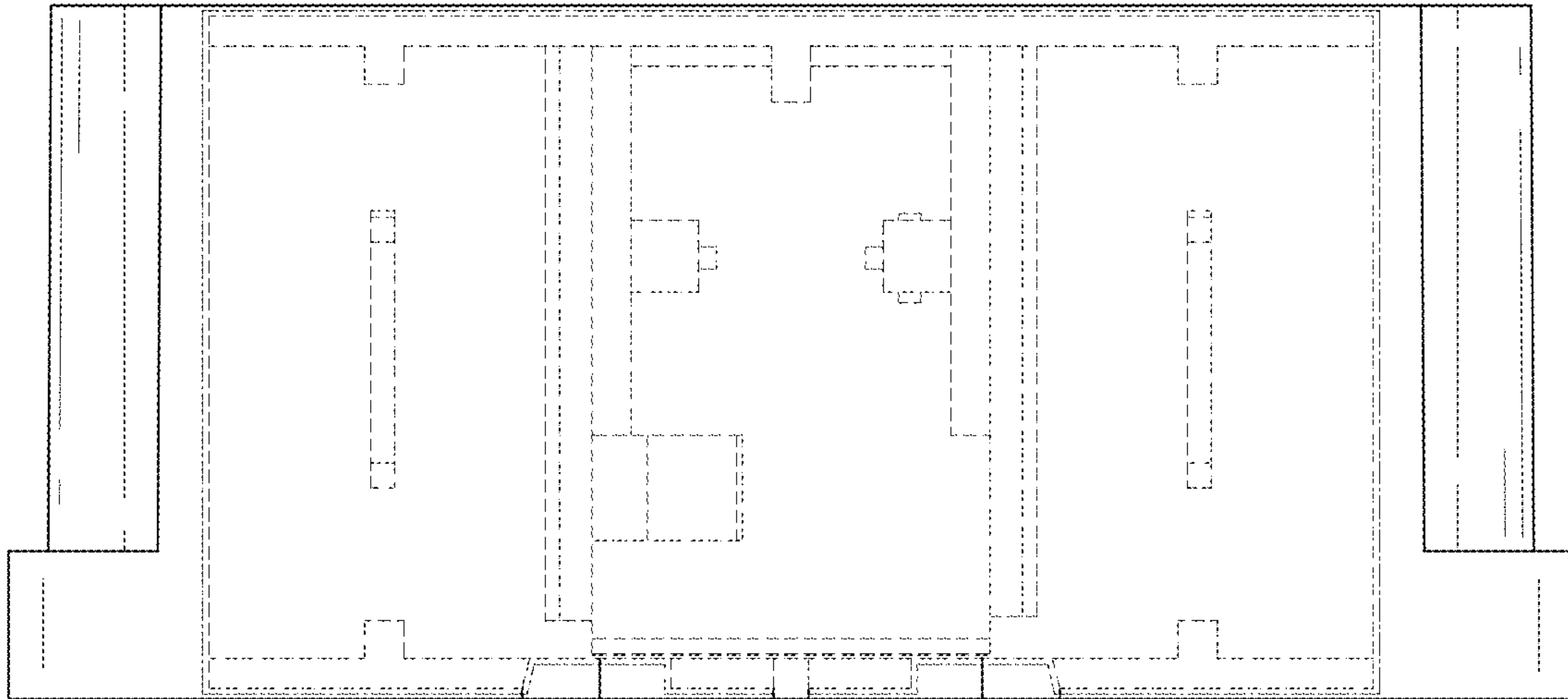


FIG. 7

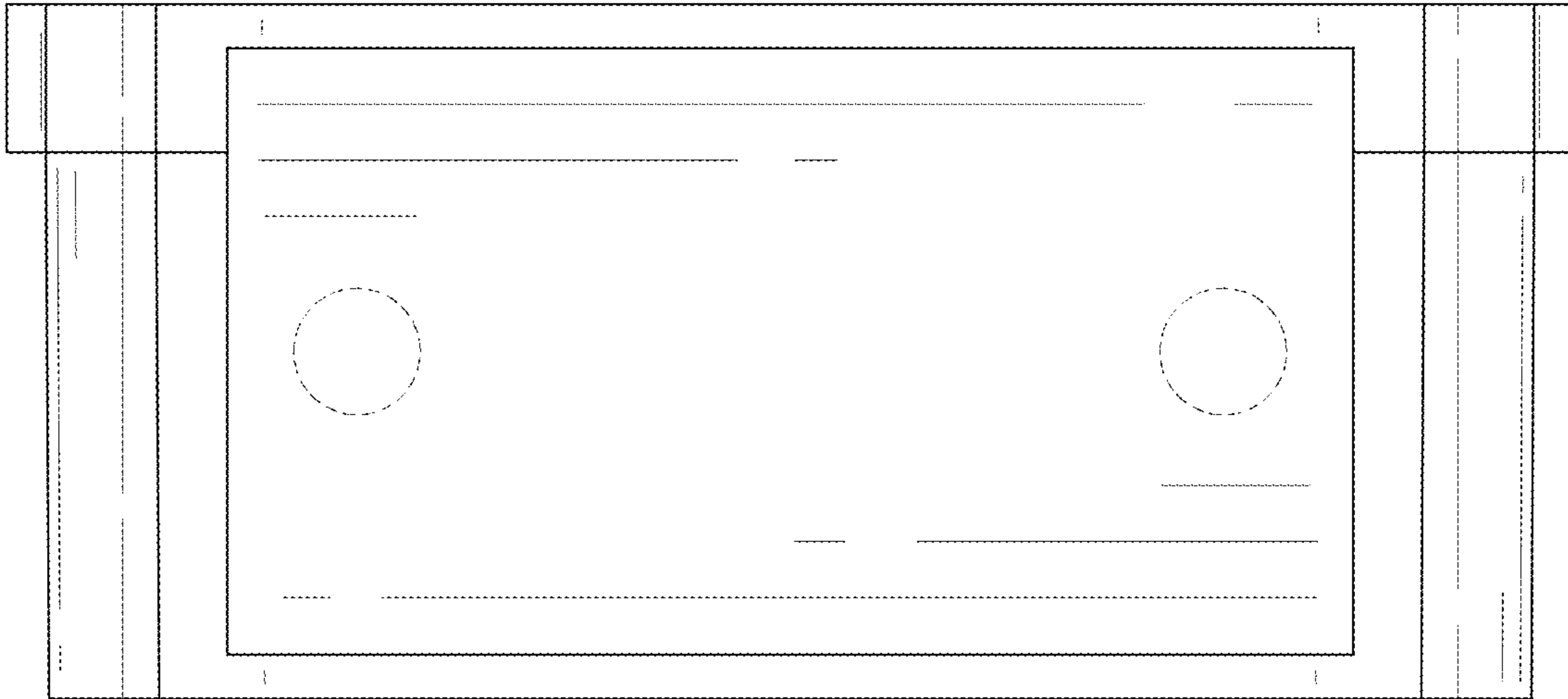


FIG. 8