

US00D892052S

(12) **United States Design Patent**
Kuroiwa et al.

(10) **Patent No.:** **US D892,052 S**

(45) **Date of Patent:** **** Aug. 4, 2020**

(54) **CONNECTOR**

(71) Applicant: **Japan Aviation Electronics Industry, Limited**, Tokyo (JP)

(72) Inventors: **Masakazu Kuroiwa**, Tokyo (JP); **Hiroaki Obikane**, Tokyo (JP); **Yusuke Obata**, Tokyo (JP); **Yuya Okuyama**, Tokyo (JP)

(73) Assignee: **JAPAN AVIATION ELECTRONICS INDUSTRY, LIMITED**, Tokyo (JP)

(**) Term: **15 Years**

(21) Appl. No.: **29/677,875**

(22) Filed: **Jan. 24, 2019**

(30) **Foreign Application Priority Data**

Aug. 3, 2018 (JP) 2018-017038

(51) **LOC (12) Cl.** **13-03**

(52) **U.S. Cl.**
USPC **D13/133; D13/147**

(58) **Field of Classification Search**
USPC D13/133, 146, 147, 156, 173, 184, 199;
D14/432, 433
CPC H01R 13/5205; H01R 13/5219; H01R 13/642; H01R 13/6581; H01R 13/6585; H01R 13/6591
See application file for complete search history.

(56) **References Cited**

U.S. PATENT DOCUMENTS

D459,310 S * 6/2002 Tanaka D13/147
7,950,962 B2 * 5/2011 Mase H01R 13/5205
439/587

D751,990 S * 3/2016 Ikeda D13/147
10,109,948 B2 * 10/2018 Zhao H01R 13/5219
D837,739 S * 1/2019 Tada D13/147

* cited by examiner

Primary Examiner — Karen E Kearney

Assistant Examiner — Michael Chong

(74) *Attorney, Agent, or Firm* — Manabu Kanesaka

(57) **CLAIM**

The ornamental design for a connector, as shown and described.

DESCRIPTION

FIG. 1 is a front elevational view of a connector showing our new design;

FIG. 2 is a rear elevational view thereof;

FIG. 3 is a right side elevational view thereof;

FIG. 4 is a left side elevational view thereof;

FIG. 5 is a top plan view thereof;

FIG. 6 is a bottom plan view thereof;

FIG. 7 is a perspective view showing a front, top and right side thereof;

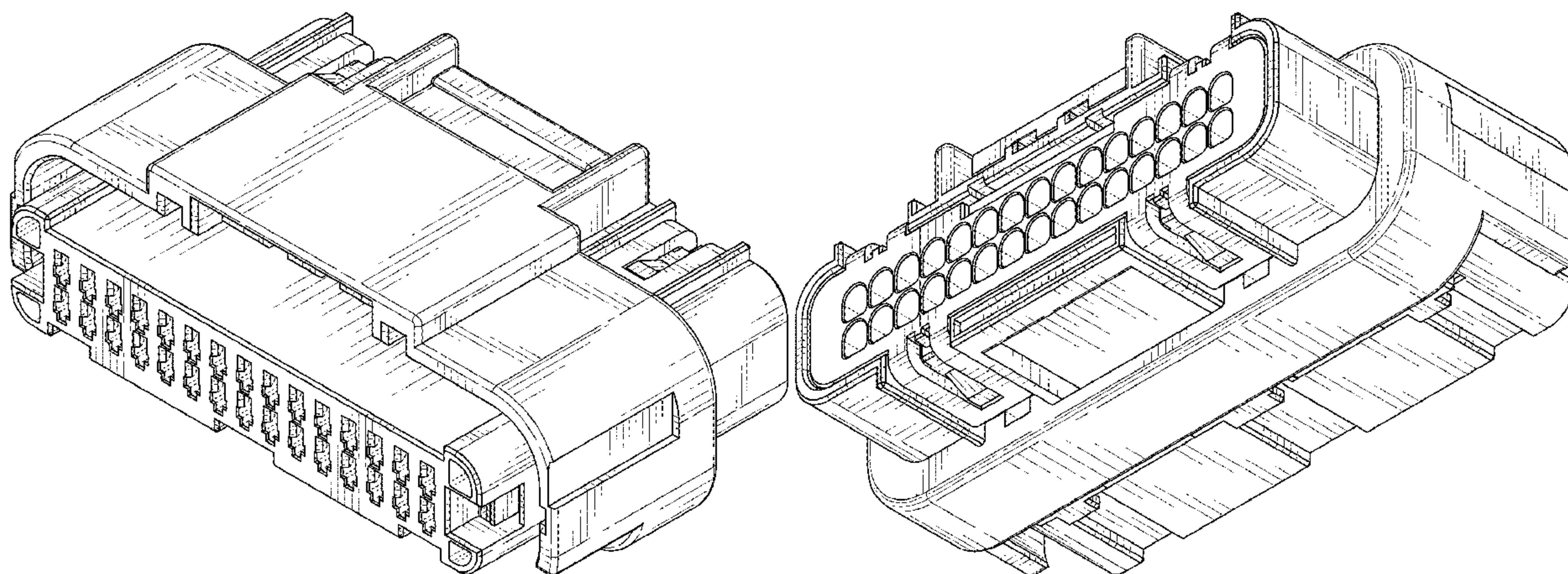
FIG. 8 is a perspective view showing a rear, bottom and left side thereof;

FIG. 9 is a perspective view showing a front, right and bottom side thereof; and,

FIG. 10 is a perspective view showing a rear, left and top side thereof.

The broken line showing of the connector is for the purpose of illustrating portions of the article and forms no part of the claimed design.

1 Claim, 5 Drawing Sheets



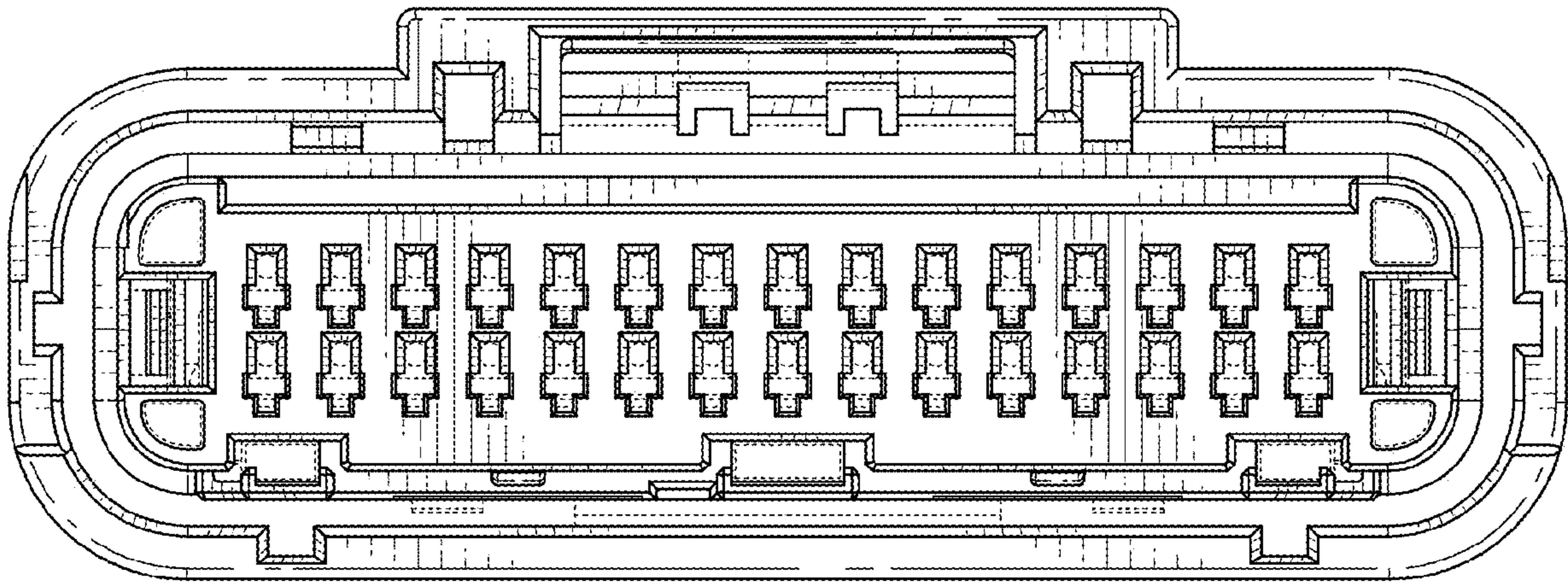


FIG. 1

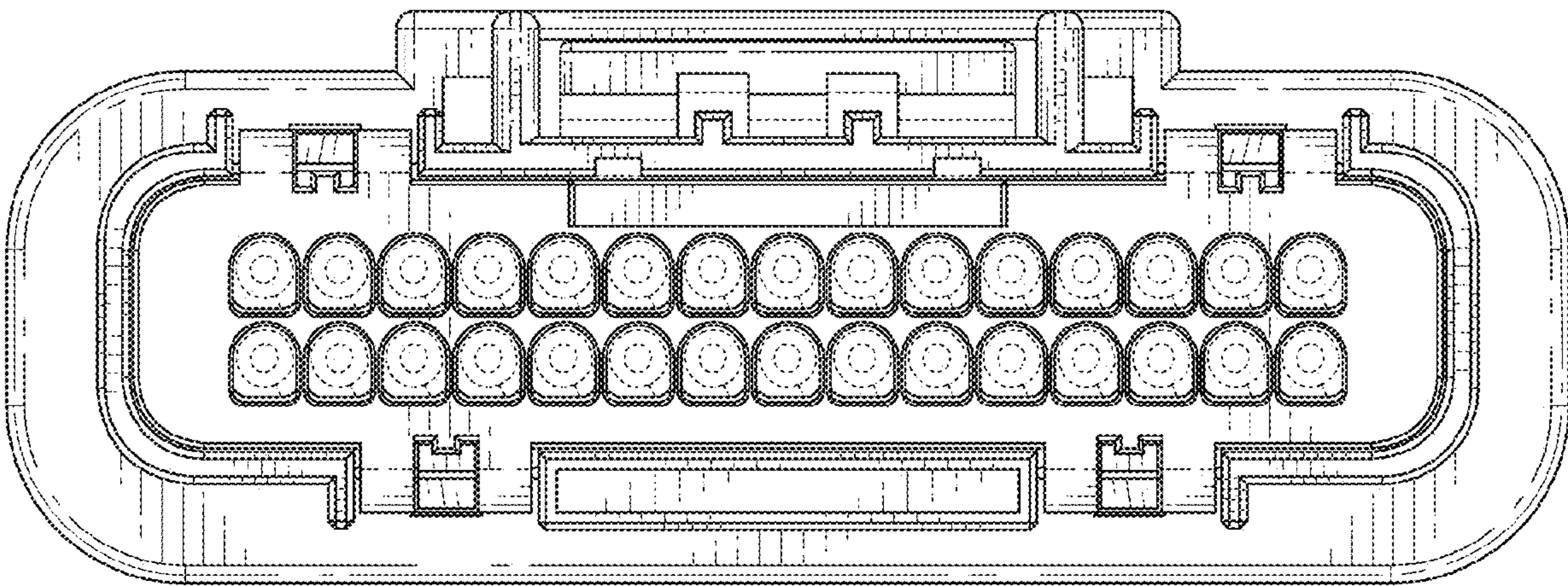


FIG. 2

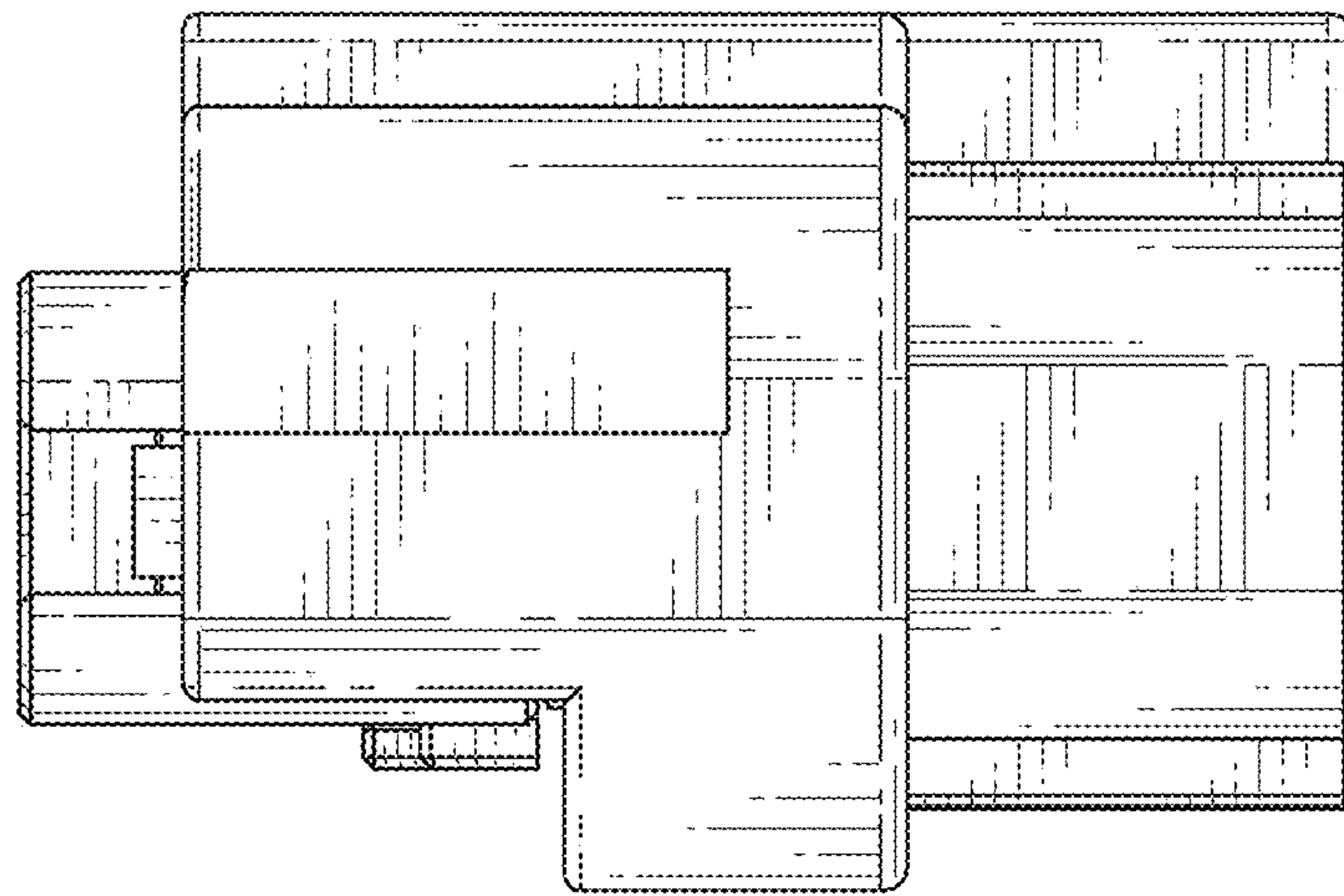


FIG. 3

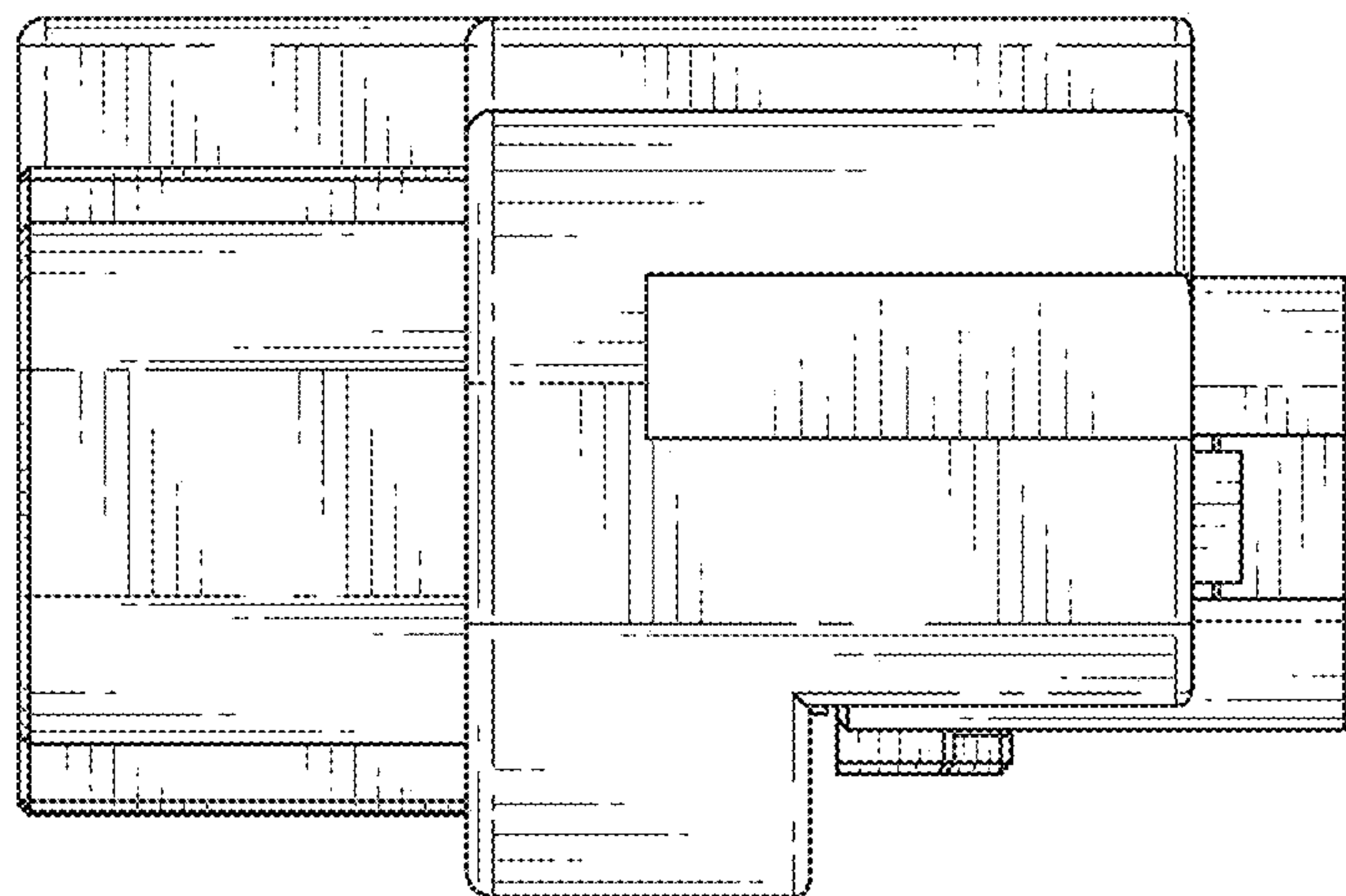


FIG. 4

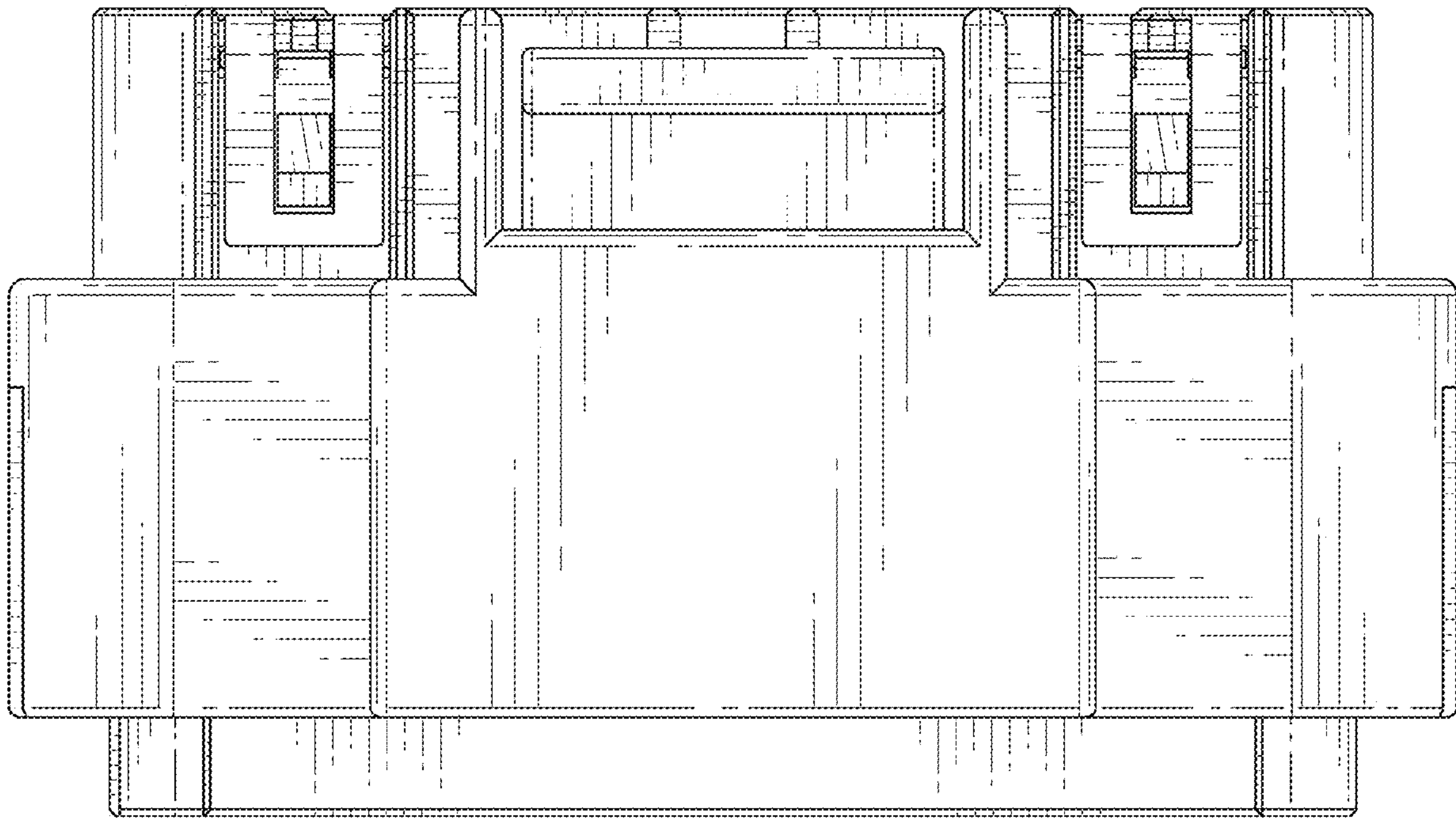


FIG. 5

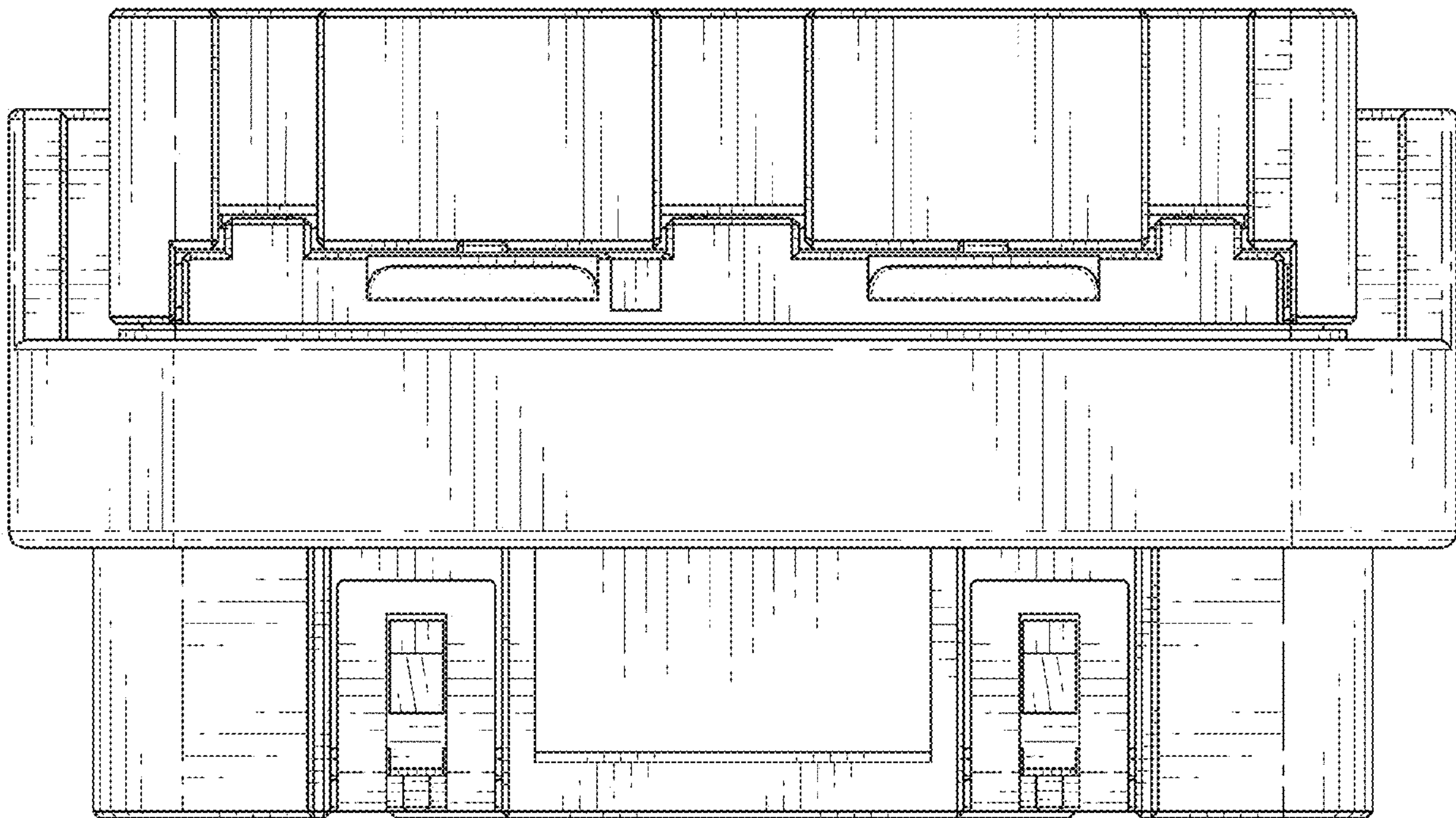


FIG. 6

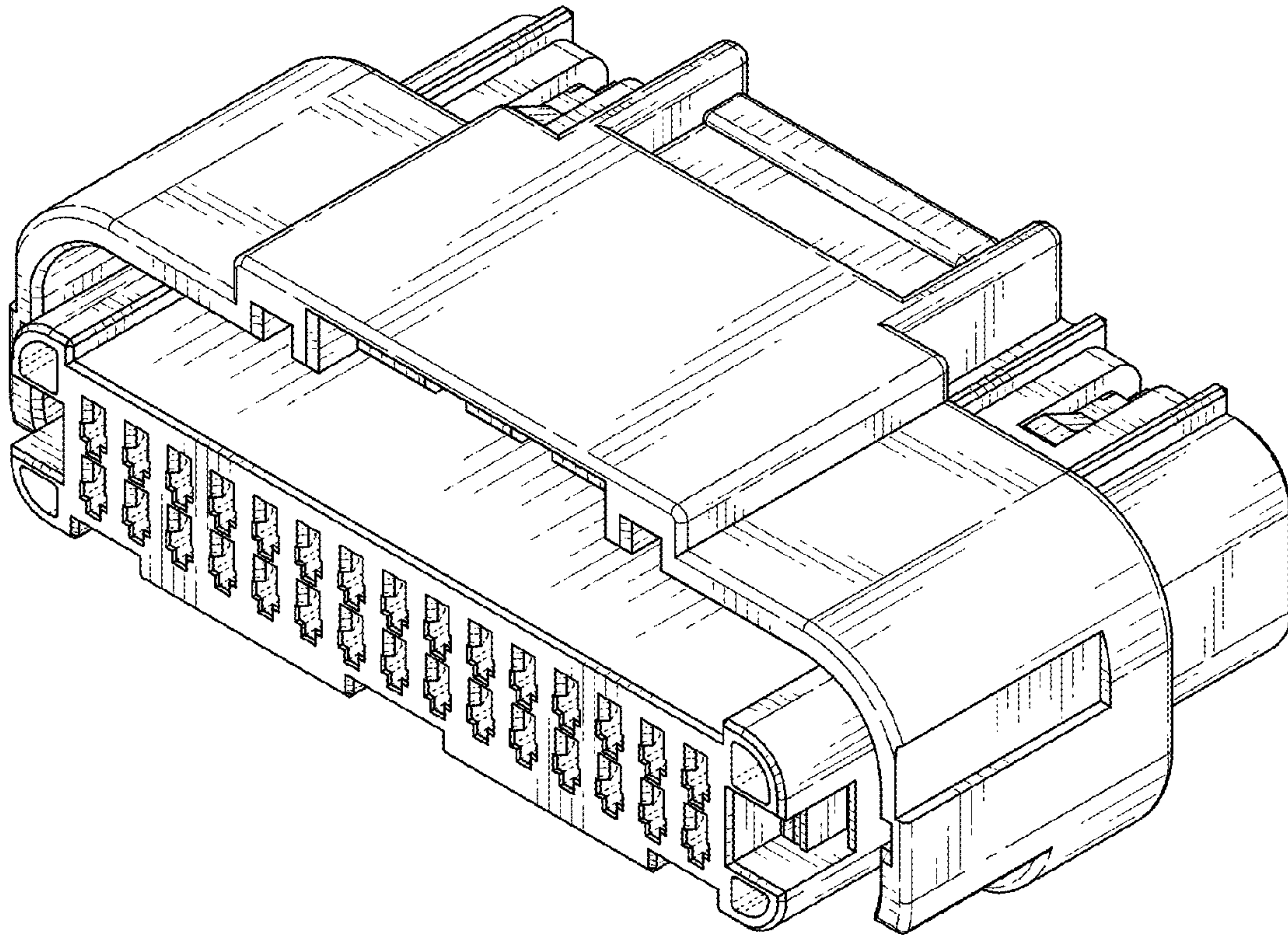


FIG. 7

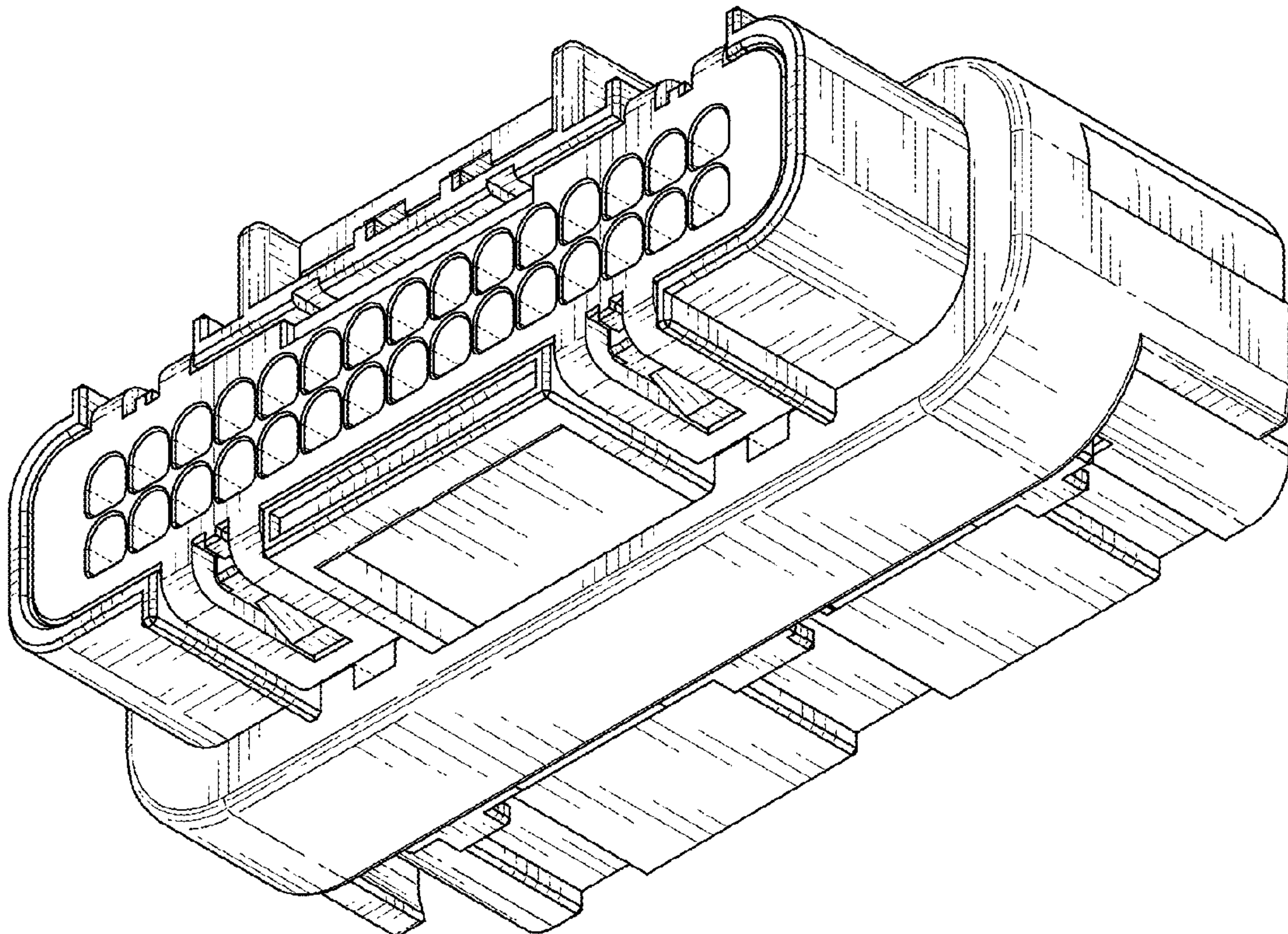


FIG. 8

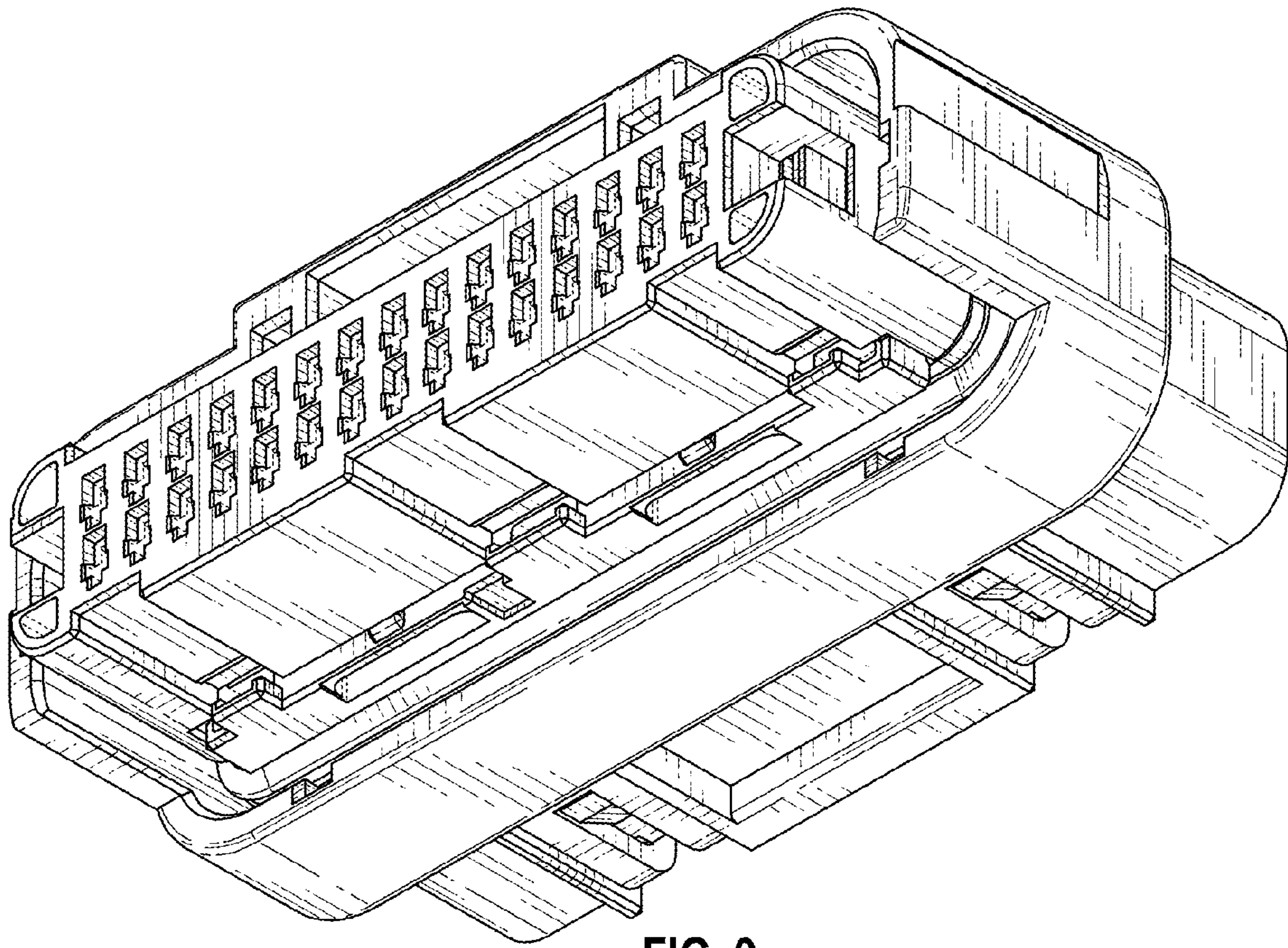


FIG. 9

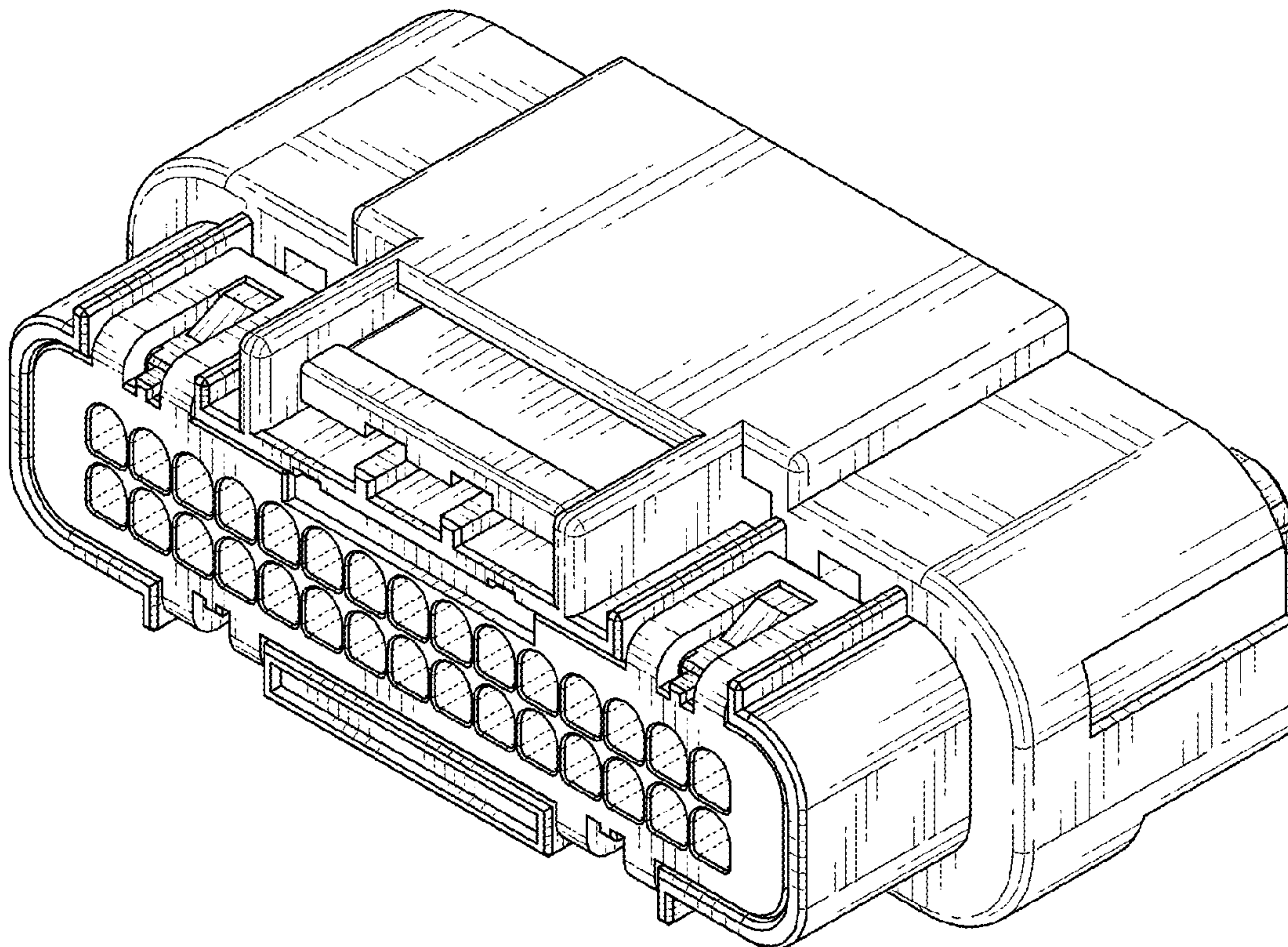


FIG. 10