



US00D892051S

(12) **United States Design Patent**  
**Kerr et al.**

(10) **Patent No.:** **US D892,051 S**

(45) **Date of Patent:** **\*\* Aug. 4, 2020**

(54) **UNIVERSAL CUT-OUT COVER**

(71) Applicant: **Power Line Sentry, LLC**, Wellington, CO (US)

(72) Inventors: **Stephen Todd Kerr**, Fort Collins, CO (US); **Kristopher L. Mitchell**, Cheyenne, WY (US)

(73) Assignee: **Power Line Sentry, LLC**, Wellington, CO (US)

(\*\*) Term: **15 Years**

(21) Appl. No.: **29/679,398**

(22) Filed: **Feb. 5, 2019**

(51) **LOC (12) Cl.** ..... **13-03**

(52) **U.S. Cl.**

USPC ..... **D13/129**

(58) **Field of Classification Search**

USPC ..... D13/129, 130, 131, 132; D8/356, 364

CPC ..... H01L 2023/40; H01L 23/42; F16B 31/02;

F16B 31/00; H01R 4/38; H01R 4/66;

H01R 4/00; H01R 23/00; G01R 1/067;

H01B 17/14; H01B 17/16; H01B 17/145;

H01B 17/20; H01B 17/22; H01B 17/24;

H01B 17/301

See application file for complete search history.

(56) **References Cited**

**U.S. PATENT DOCUMENTS**

D202,844 S \* 11/1965 Livingston ..... D13/126

D224,085 S \* 7/1972 Cuva ..... D8/363

D240,833 S \* 8/1976 Clutter et al. .... D25/134

D243,342 S \* 2/1977 Langlie ..... D13/129

D243,926 S \* 4/1977 Dimiceli ..... D8/364

4,028,489 A \* 6/1977 Berg, Jr. .... H01B 17/145

174/166 R

D257,665 S \* 12/1980 Young ..... D8/367

4,771,137 A \* 9/1988 Thompson ..... H01B 17/145

174/163 F

D391,839 S \* 3/1998 Viklund ..... D8/356

D416,859 S \* 11/1999 Langlie ..... D13/129

7,154,034 B2 12/2006 Lynch

7,839,256 B2 11/2010 Bradford et al.

9,004,562 B2 \* 4/2015 Morin ..... F16L 55/1141

294/174

D789,185 S \* 6/2017 Wall ..... D13/129

(Continued)

**FOREIGN PATENT DOCUMENTS**

CN 305017551 \* 1/2019

**OTHER PUBLICATIONS**

Power Line Sentry. Link: <https://powerlinesentry.com/product/distribution-cut-out-cover/>. Visited Nov. 21, 2019. Distribution Cut-out Cover. (Year: 2019).\*

(Continued)

*Primary Examiner* — Lauren D McVey

(74) *Attorney, Agent, or Firm* — Cochran Freund & Young LLC; William W. Cochran

(57) **CLAIM**

The ornamental design for a universal cut-out cover, as shown and described.

**DESCRIPTION**

FIG. 1 is a front isometric view of a universal cut-out cover;

FIG. 2 is a front view of the universal cut-out cover;

FIG. 3 is a rear view of the universal cut-out cover;

FIG. 4 is a bottom view of the universal cut-out cover;

FIG. 5 is a top view of the universal cut-out cover;

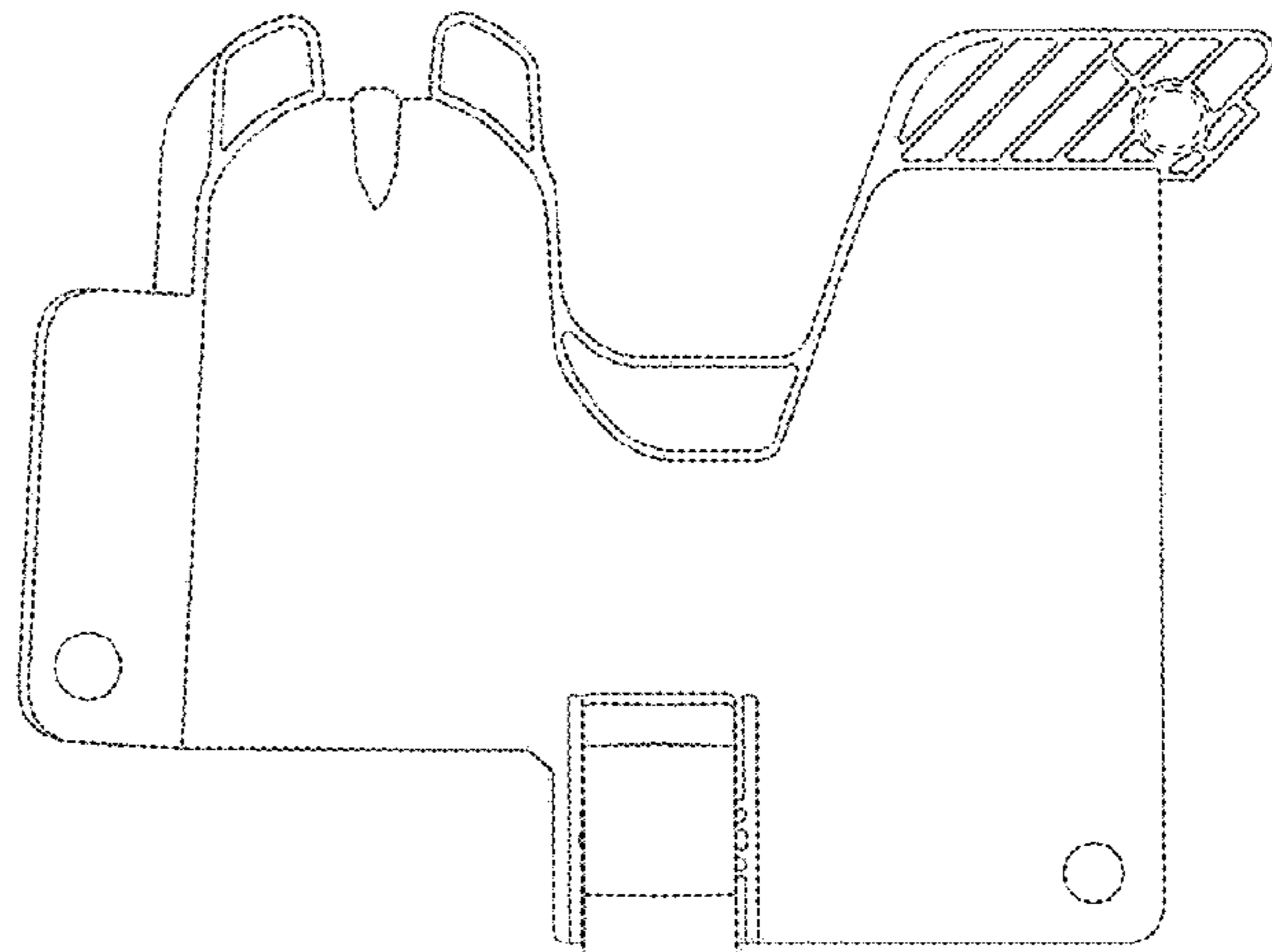
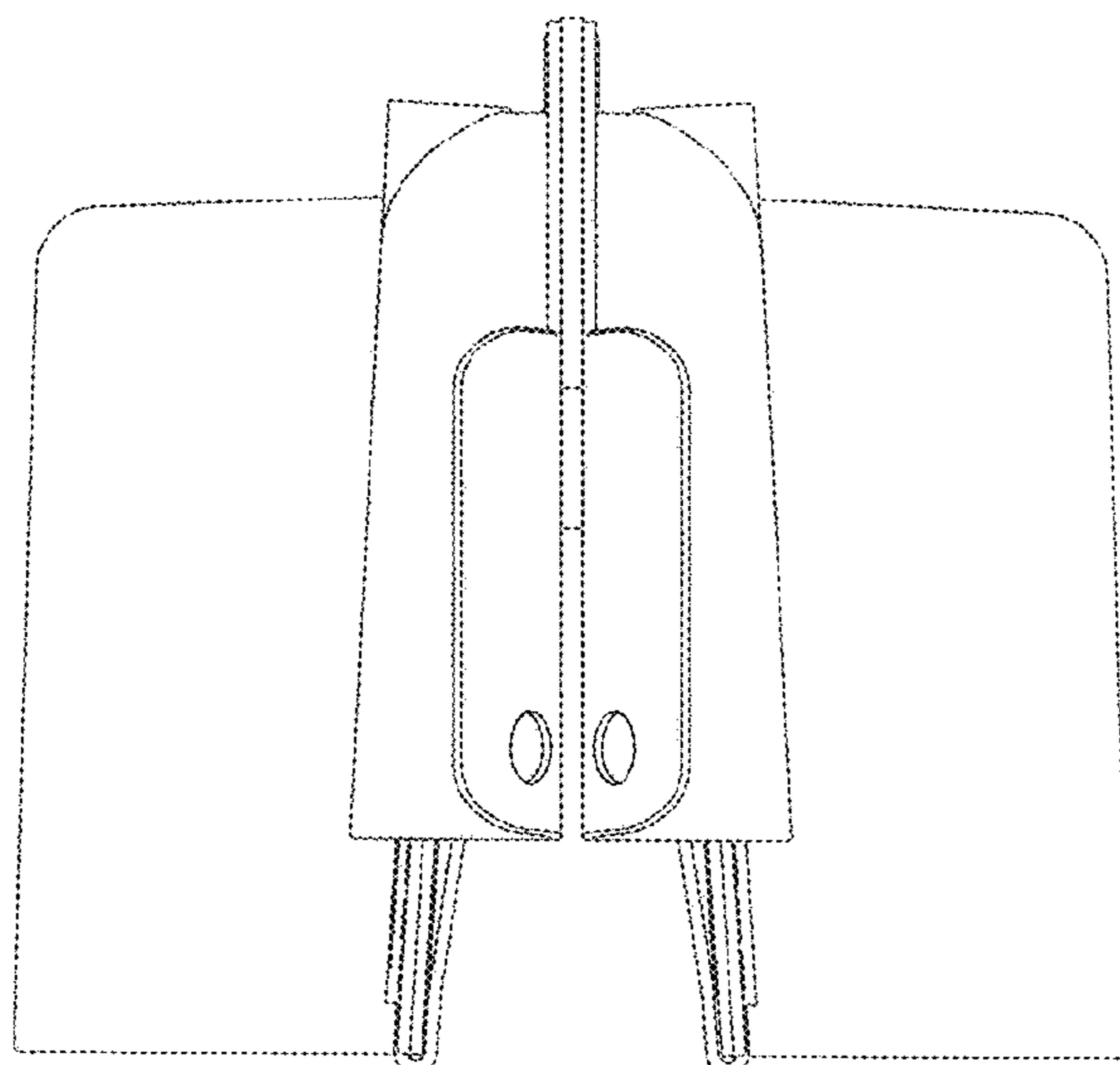
FIG. 6 is a right side view of the universal cut-out cover;

and,

FIG. 7 is a left side view of the universal cut-out cover.

The broken lines depict portions of the universal cut-out cover that form no part of the claimed design.

**1 Claim, 7 Drawing Sheets**



(56)

**References Cited**

U.S. PATENT DOCUMENTS

D822,604 S \* 7/2018 Piper ..... D13/132  
10,263,402 B2 4/2019 Niles et al.

OTHER PUBLICATIONS

TE Connectivity Ltd. "Fuse Coutout Cover (BCAC-G-CUTOUT) Wildlife and Asset Protection Products" (TE) Raychem Fuse Cutout covers Product Data Sheet; 2011-2013, 2014.

Reliaguard "Hot Stickable Universal Cut-out Guard (CO-10007)" Product Sheet; 27151 Burbank Street, Foothill Ranch, CA 92610; <<http://reliaguard.com/protective-guards/hot-stickable-universal-cut-out-guard/>>.

\* cited by examiner

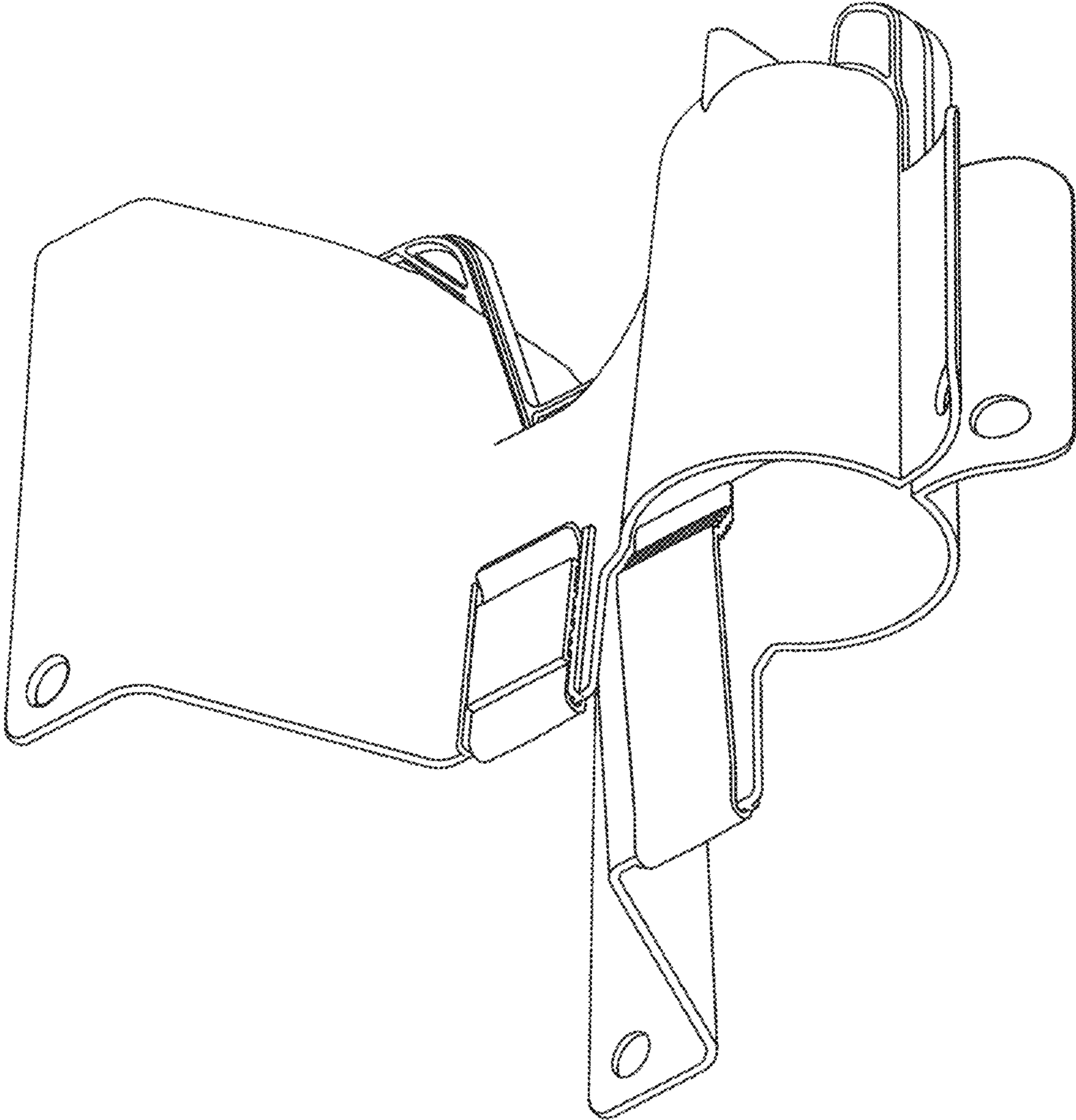


FIG. 1

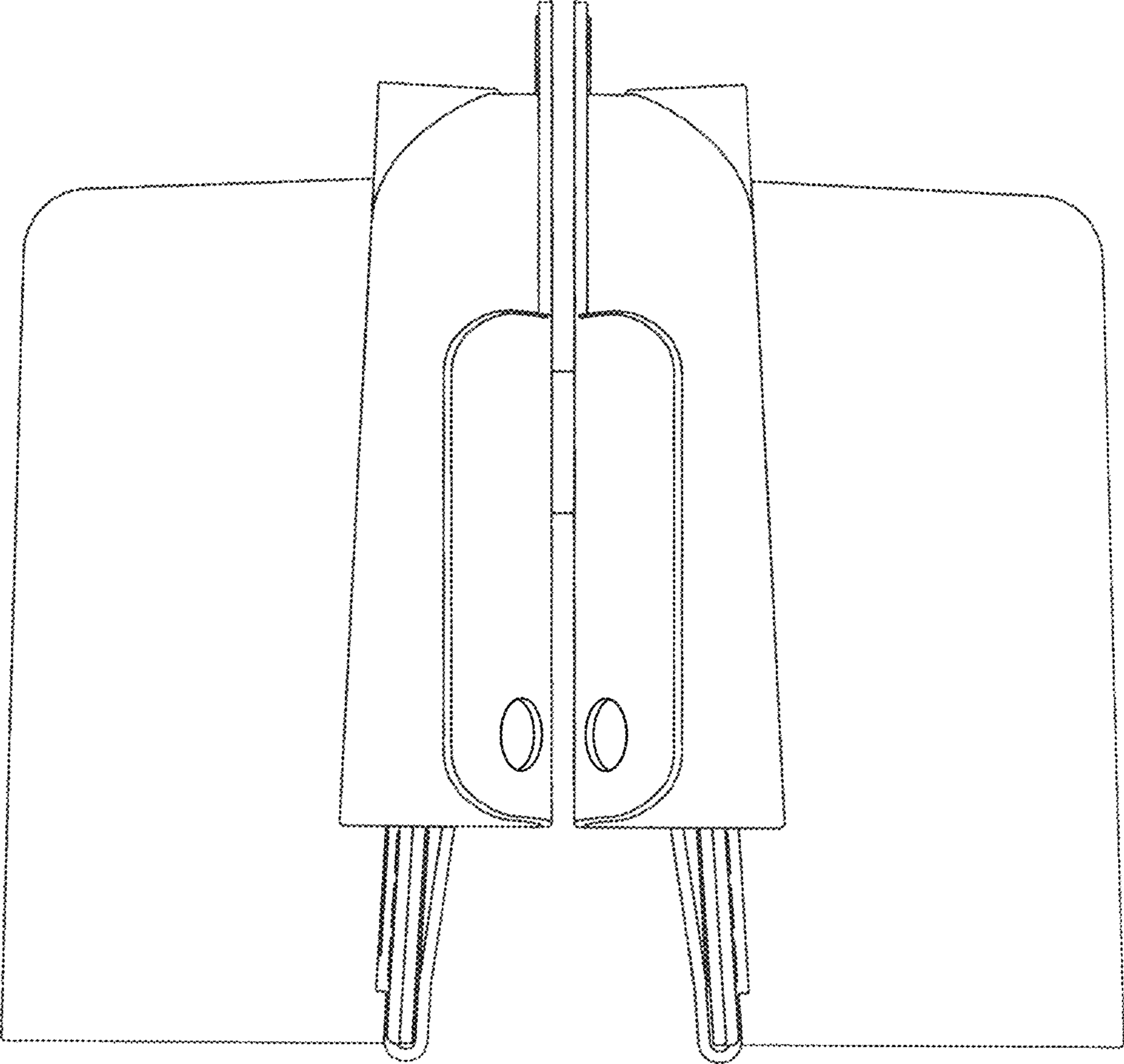


FIG. 2

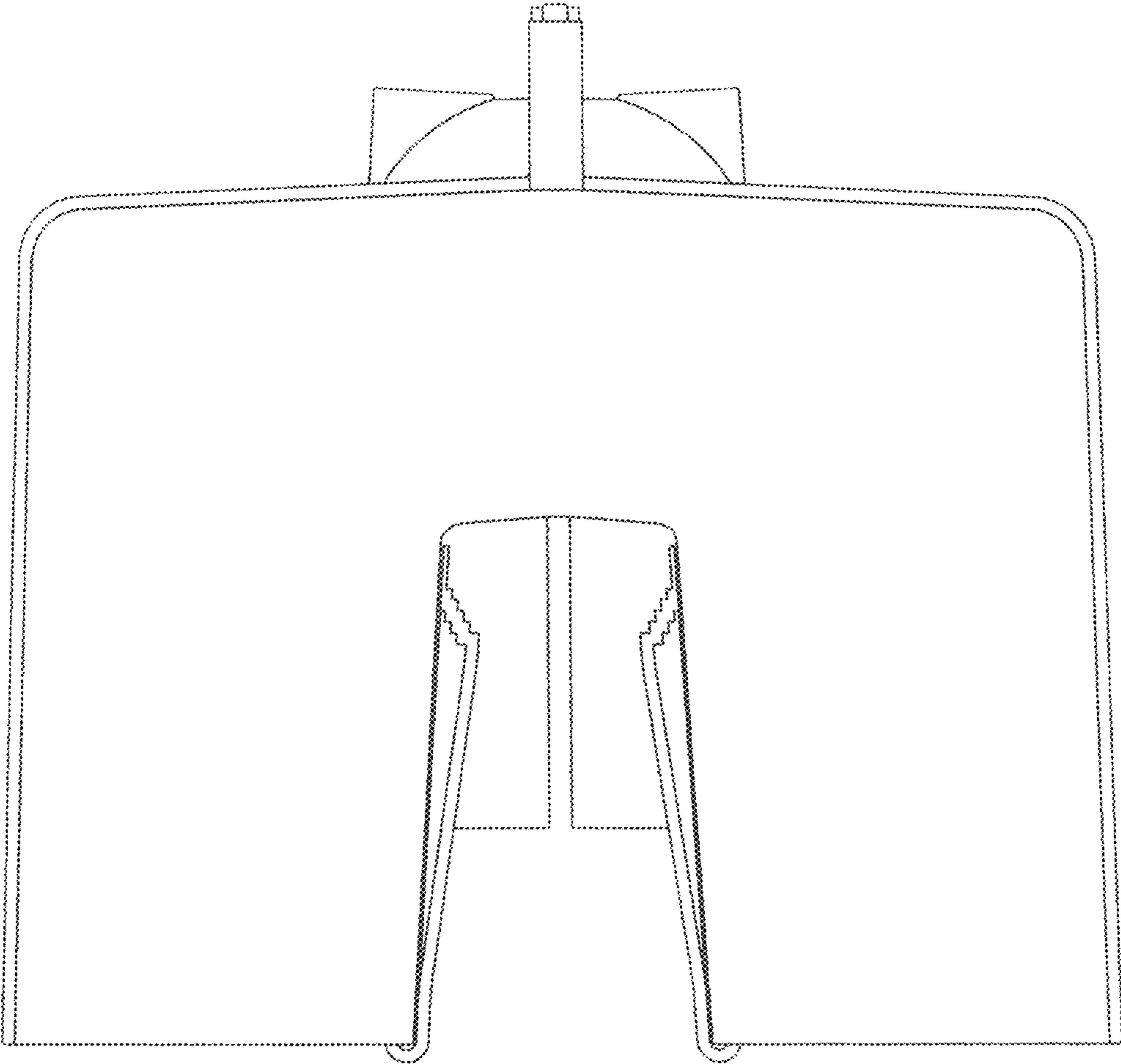


FIG. 3



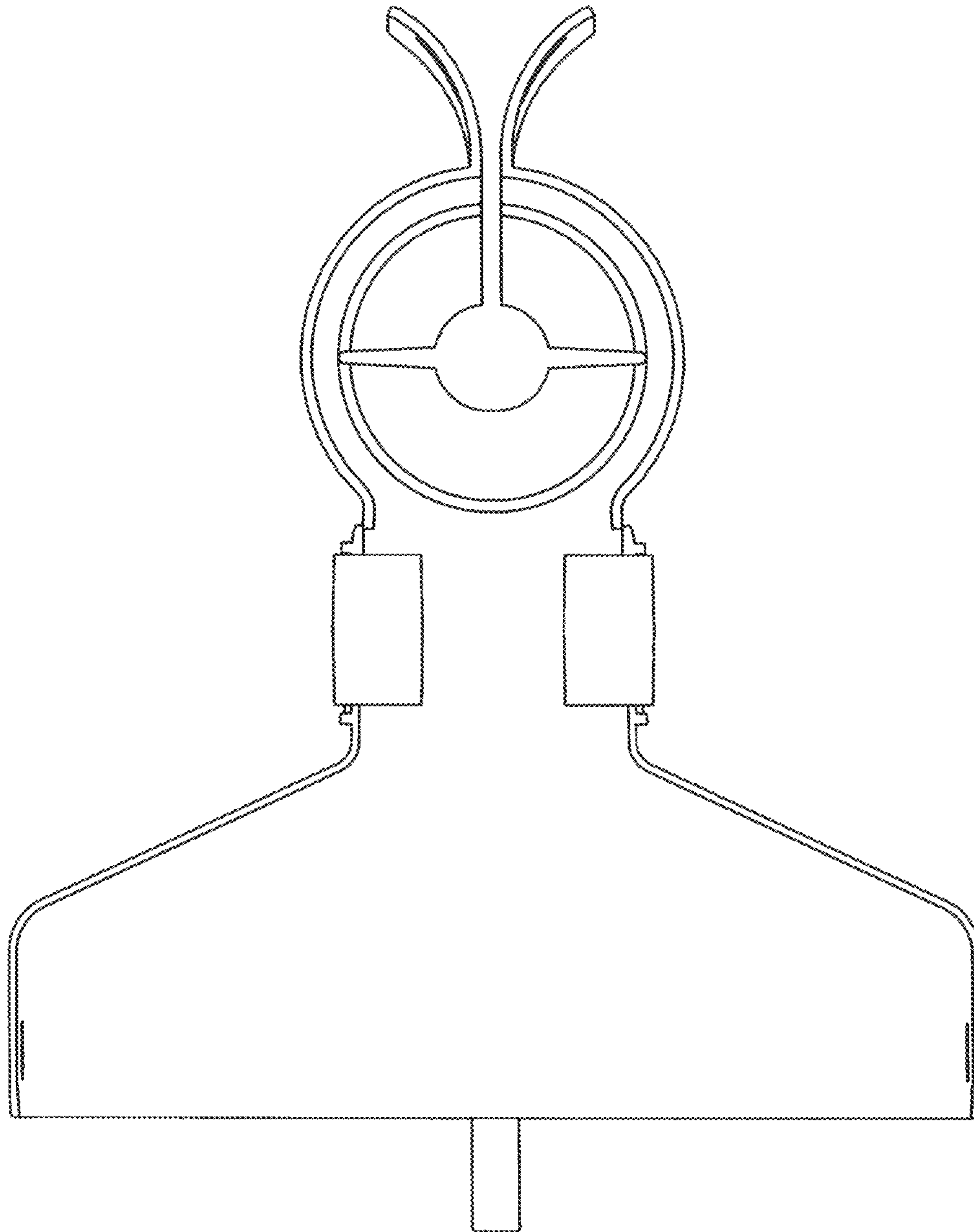


FIG. 4

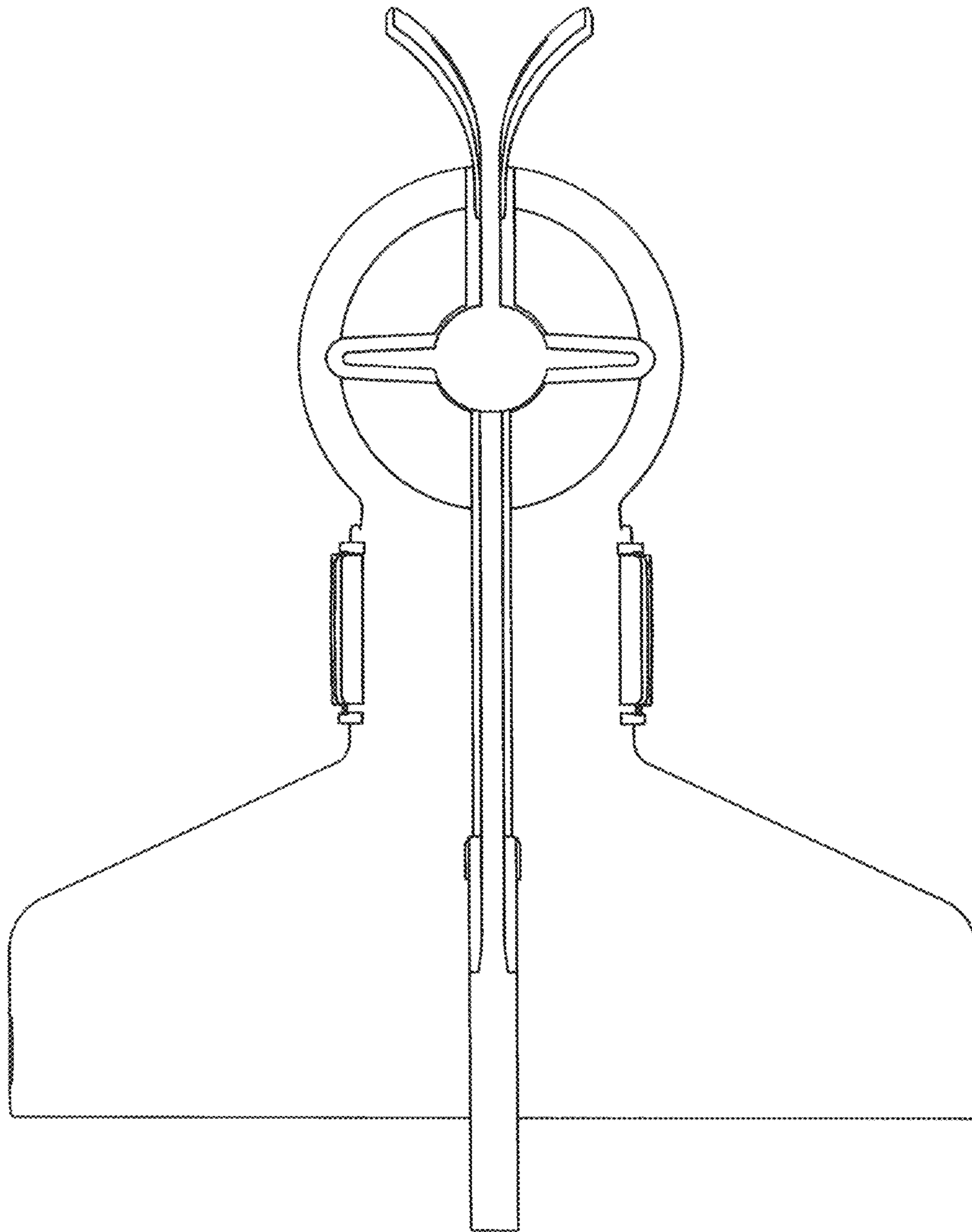


FIG. 5

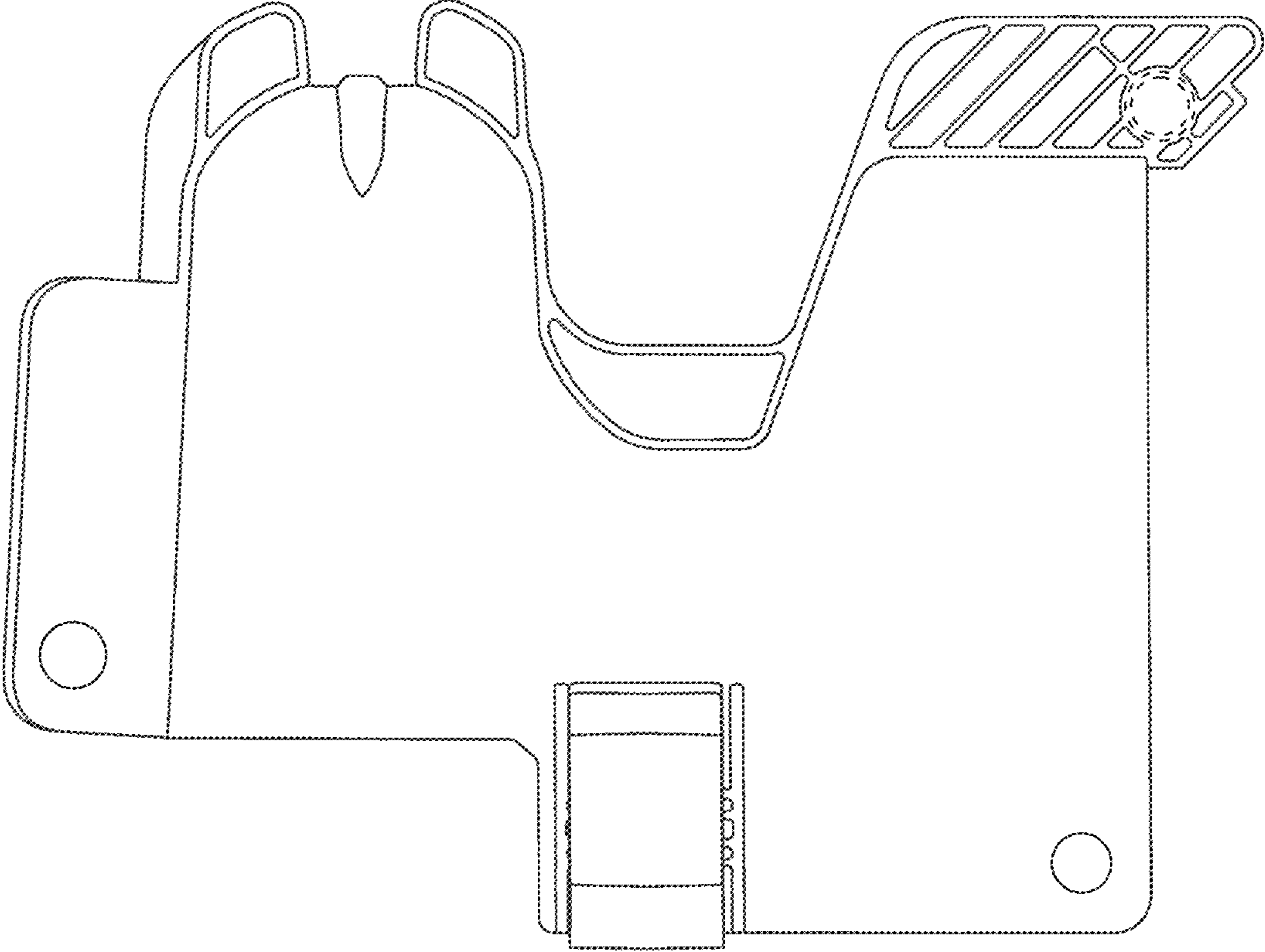


FIG. 6



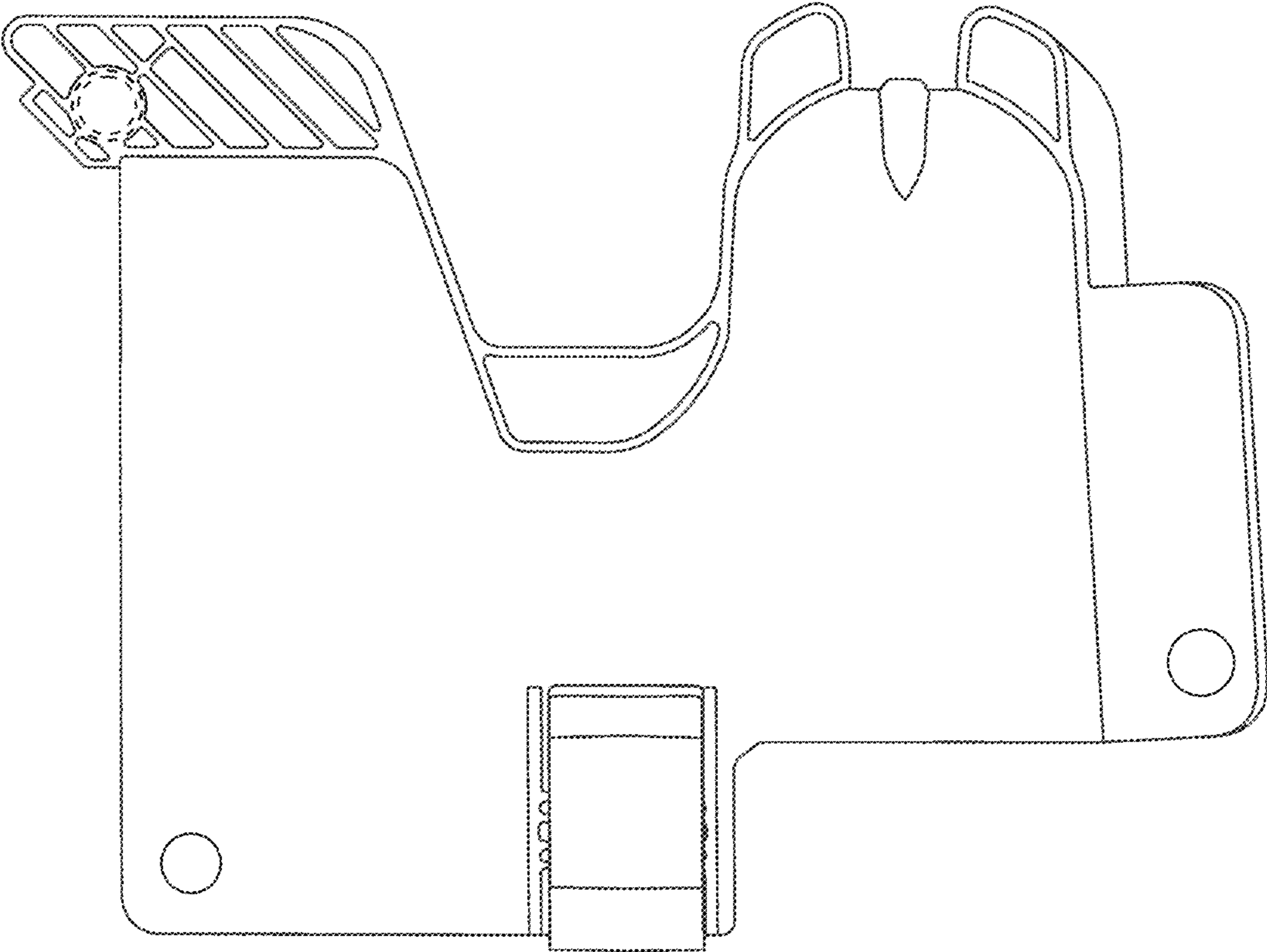


FIG. 7