



US00D892049S

(12) **United States Design Patent** (10) **Patent No.:** **US D892,049 S**
Hoshida et al. (45) **Date of Patent:** **** Aug. 4, 2020**

(54) **AUTOMOBILE ENGINE CONTROLLER COVER**

(71) Applicant: **DENSO CORPORATION**, Kariya, Aichi-pref. (JP)

(72) Inventors: **Hiroki Hoshida**, Kariya (JP); **Yuji Kawahara**, Kariya (JP)

(73) Assignee: **DENSO CORPORATION**, Kariya (JP)

(**) Term: **15 Years**

(21) Appl. No.: **29/682,230**

(22) Filed: **Mar. 4, 2019**

(30) **Foreign Application Priority Data**

Oct. 22, 2018 (JP) 2018-023144

(51) **LOC (12) Cl.** **13-02**

(52) **U.S. Cl.**
USPC **D13/118; D15/5**

(58) **Field of Classification Search**
USPC D13/107, 110, 112, 118, 122, 126, 156,
D13/162; D14/440-446; D15/1-7;
D12/126, 176

(Continued)

(56) **References Cited**

U.S. PATENT DOCUMENTS

2,113,431 A * 4/1938 Milliken A45D 40/00
162/114
2,810,071 A * 10/1957 Race H03F 5/00
455/253.2

(Continued)

FOREIGN PATENT DOCUMENTS

JP 1628409 S 4/2019

OTHER PUBLICATIONS

Denso Design, Elexcore, (Sep. 25, 2018) Youtube URL:<https://www.youtube.com/watch?time_continue=2&v=izmAEbAOfNY&feature=emb_logo> (Year: 2018).*

(Continued)

Primary Examiner — Sheryl Lane

Assistant Examiner — Mark T Philipps

(74) *Attorney, Agent, or Firm* — Oliff PLC

(57) **CLAIM**

The ornamental design for an automobile engine controller cover, as shown and described.

DESCRIPTION

FIG. 1 is a front elevational view of the automobile engine controller cover;

FIG. 2 is a rear elevational view thereof;

FIG. 3 is a top plan view thereof;

FIG. 4 is a bottom plan view thereof;

FIG. 5 is a left-side elevational view thereof;

FIG. 6 is a right-side elevational view thereof;

FIG. 7 is a front, right-side, top perspective view thereof;

FIG. 8 is a front, right-side, top perspective view thereof;

FIG. 9 is a front, left-side, top perspective view thereof;

FIG. 10 is a cross-sectional view thereof taken along line 10-10 in FIG. 1;

FIG. 11 is a cross-sectional view thereof taken along line 11-11 in FIG. 1;

FIG. 12 is an enlarged view of area 12 in FIG. 10;

FIG. 13 is an enlarged view of area 13 in FIG. 10;

FIG. 14 is an enlarged view of area 14 in FIG. 11;

FIG. 15 is an enlarged view of area 15 in FIG. 11;

FIG. 16 is an enlarged view of area 16 in FIG. 8;

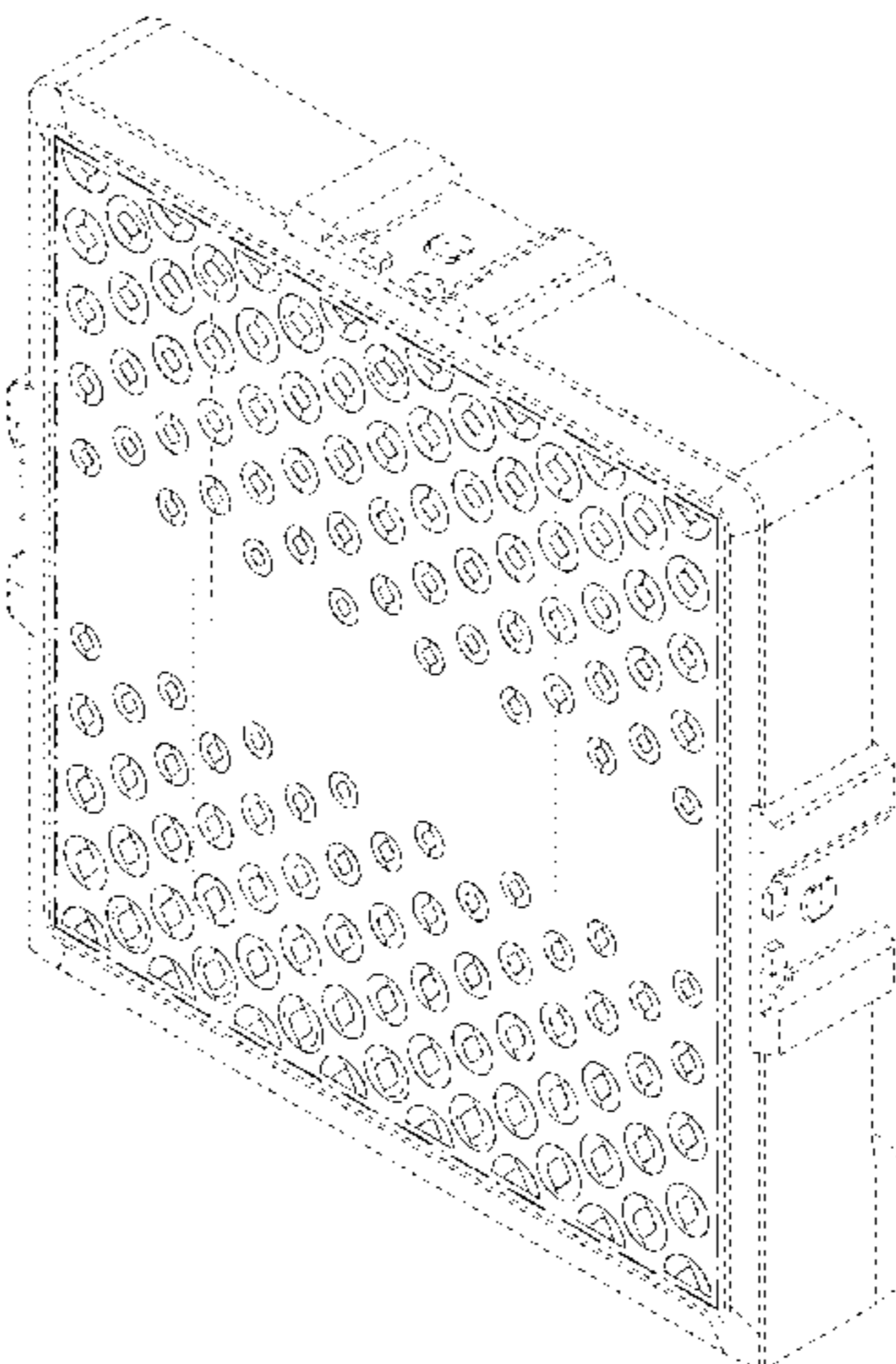
FIG. 17 is an enlarged view of area 17 in FIG. 8;

FIG. 18 is an enlarged view of area 18 in FIG. 9; and,

FIG. 19 is an enlarged view of area 19 in FIG. 9.

The broken lines depict either (i) portions of the controller cover that form no part of the claimed design, (ii) cross-sectional indication lines that form no part of the claimed design, or (iii) boundaries of enlargement areas that form no part of the claimed design. The dot-dash-chain lines depict boundaries of the claimed subject matter and form no part of the claimed design.

1 Claim, 14 Drawing Sheets



(58) **Field of Classification Search**

CPC H05K 5/00-06; H05K 7/20; G05D
2201/0213; Y02T 10/7044; Y02T
10/7077; H02M 1/00; H02J 7/00
See application file for complete search history.

(56) **References Cited**

U.S. PATENT DOCUMENTS

3,208,732 A * 9/1965 Ranson A47J 43/24
366/165.2
4,482,077 A * 11/1984 Henderson A47J 36/06
126/299 C
D313,319 S * 1/1991 Legare D5/53
D314,673 S * 2/1991 Legare D5/53
5,130,891 A * 7/1992 Christie B60R 11/02
330/65
D348,247 S * 6/1994 Cooper D13/110
D389,019 S * 1/1998 Molo D7/678
D419,156 S * 1/2000 Yamazaki D14/188
D424,523 S * 5/2000 Hughes D13/147
D446,477 S * 8/2001 Netz D12/126
D453,140 S * 1/2002 Buzzard D13/112
D483,473 S * 12/2003 Shapiro D23/412
D496,049 S * 9/2004 Heinz D14/444
D500,502 S * 1/2005 Davis D14/441
D500,752 S * 1/2005 Uehara D14/188
D511,777 S * 11/2005 Schmidt D14/441
D516,567 S * 3/2006 Su D14/441
D549,687 S * 8/2007 Ichikawa D14/188
D562,765 S * 2/2008 Tsuzuki D13/110
D584,193 S * 1/2009 Massicotte D12/126
D596,184 S * 7/2009 Sempliner D13/184
D597,652 S * 8/2009 Tang D13/179
D610,125 S * 2/2010 Ichikawa D14/188
D615,557 S * 5/2010 Mayer D15/5

D643,427 S * 8/2011 McGoldrick D14/356
D648,351 S * 11/2011 Michimura D15/5
D654,076 S * 2/2012 Wong D14/371
D656,120 S * 3/2012 Sasaki D14/188
D673,161 S * 12/2012 Kuehn D14/441
D675,964 S * 2/2013 Mirabal D12/126
D679,534 S * 4/2013 Stoddard D6/592
D683,702 S * 6/2013 Kaneshige D13/147
D717,021 S * 11/2014 Dahlquist D2/869
8,898,979 B2 * 12/2014 Besterman H05K 7/1455
312/223.2
D747,683 S * 1/2016 Krivonak D13/110
D766,821 S * 9/2016 Chan D13/107
D811,440 S * 2/2018 Tomlinson D15/5
D813,836 S * 3/2018 Suzuki D14/188
D821,306 S * 6/2018 Liu D13/107
D843,562 S * 3/2019 Eitzman D24/110.6
D853,962 S * 7/2019 Kanarellis D13/110
D861,040 S * 9/2019 Raskin D15/5
10,399,748 B2 * 9/2019 Reinhart B65D 43/0214
D873,402 S * 1/2020 Brandenburg D23/366
2015/0195938 A1 * 7/2015 Witter G06F 1/1656
206/521
2016/0200270 A1 * 7/2016 Tanahashi B60L 50/51
318/503
2016/0227656 A1 * 8/2016 Kang C25D 13/06
2019/0252971 A1 * 8/2019 Kim H02M 1/32
2019/0307002 A1 * 10/2019 Tessier H04N 5/64
2020/0006172 A1 * 1/2020 Otsubo H05K 7/20

OTHER PUBLICATIONS

Kei Niwa @ Days, Denso unveils new brand “Elexcore”, (Oct. 2, 2018), Response URL:<https://response.jp/article/2018/10/02/314583.html?utm_source=twitter&utm_medium=social> (Year: 2018).*

* cited by examiner

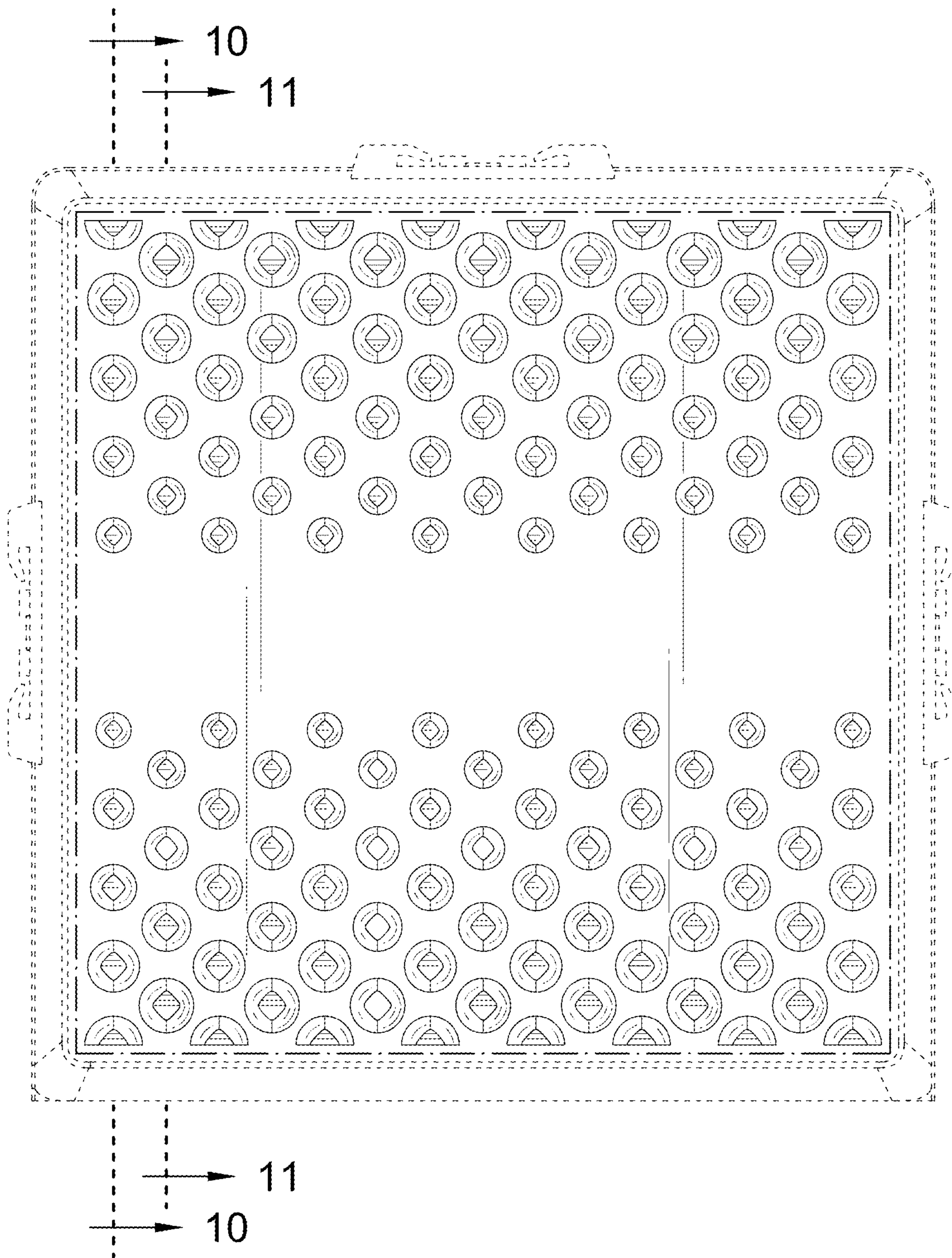


FIG. 1

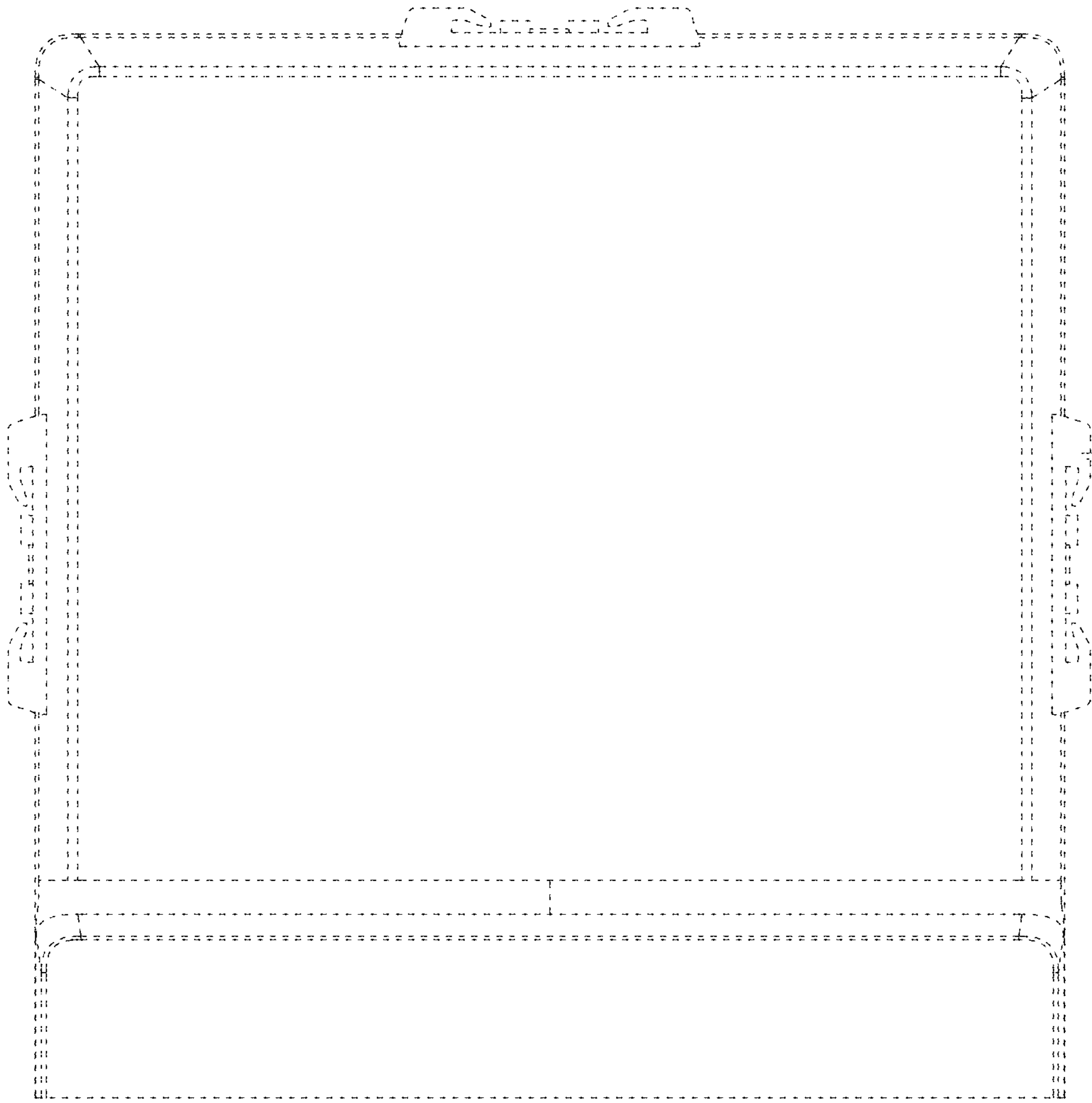


FIG. 2

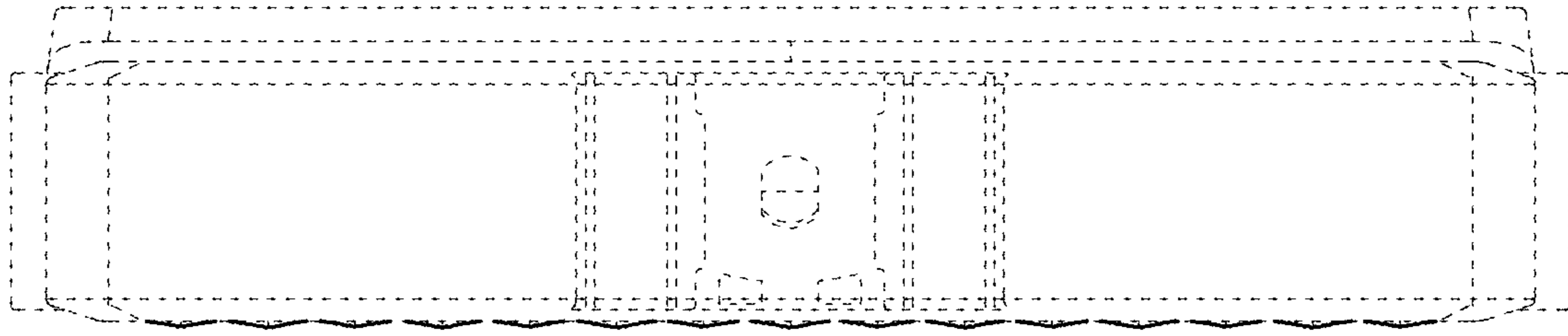


FIG. 3

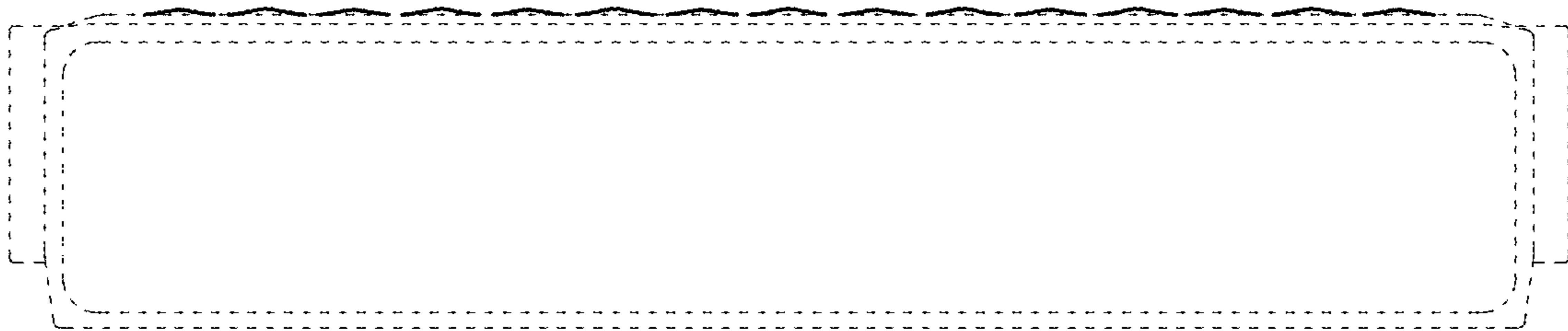


FIG. 4

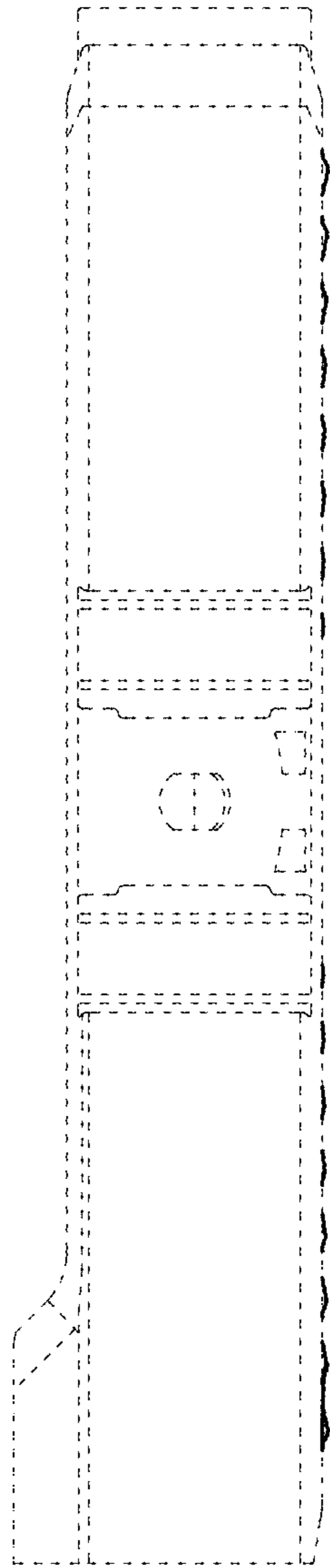


FIG. 5

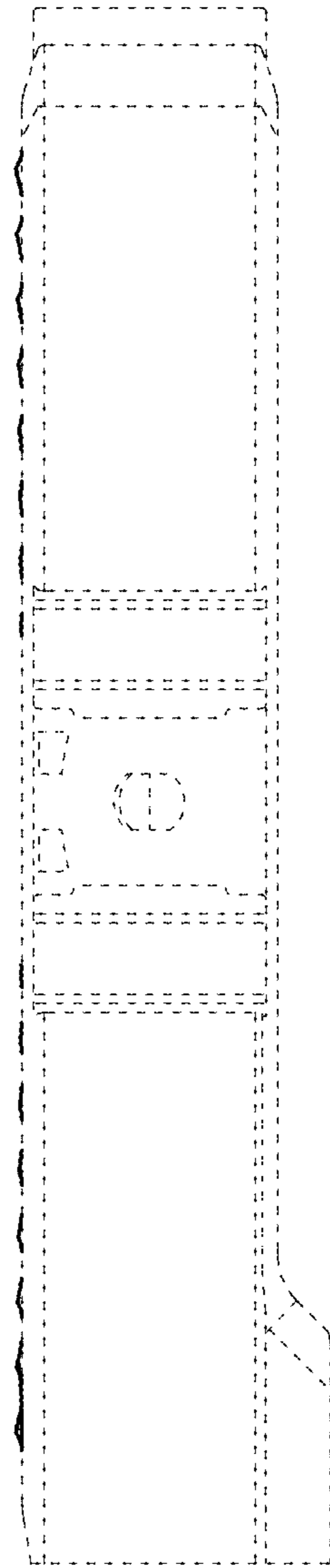


FIG. 6

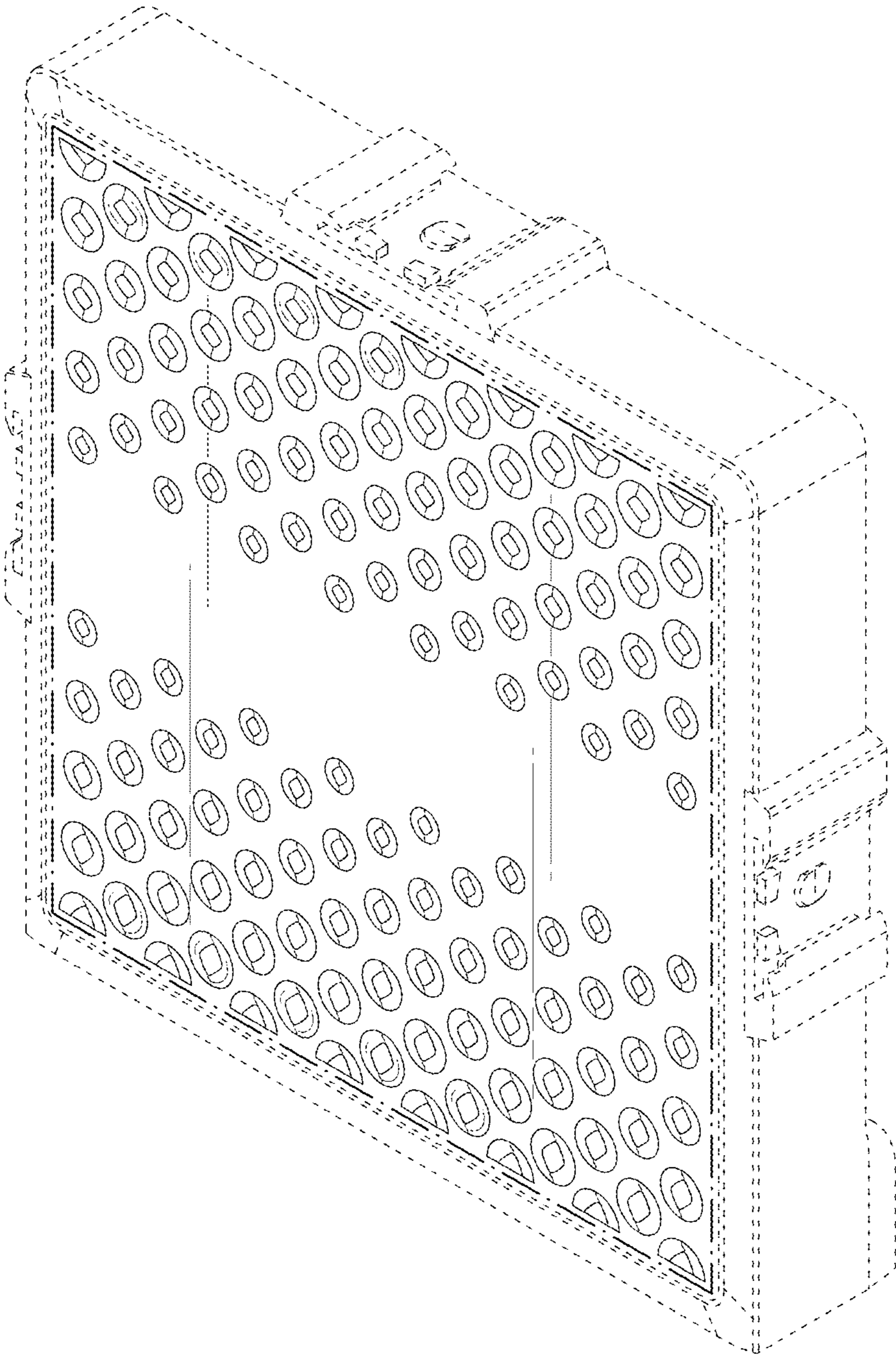


FIG. 7

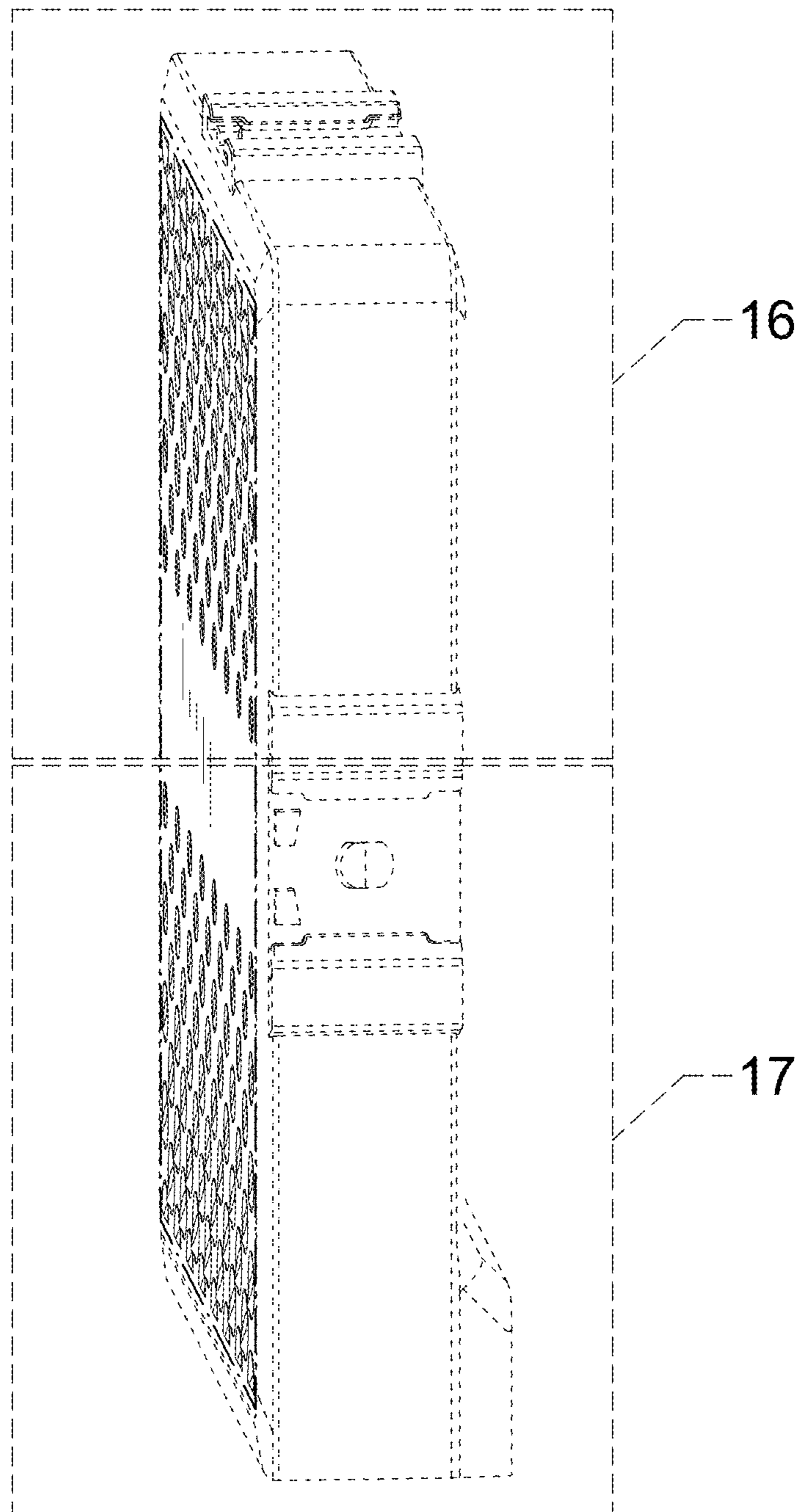


FIG. 8

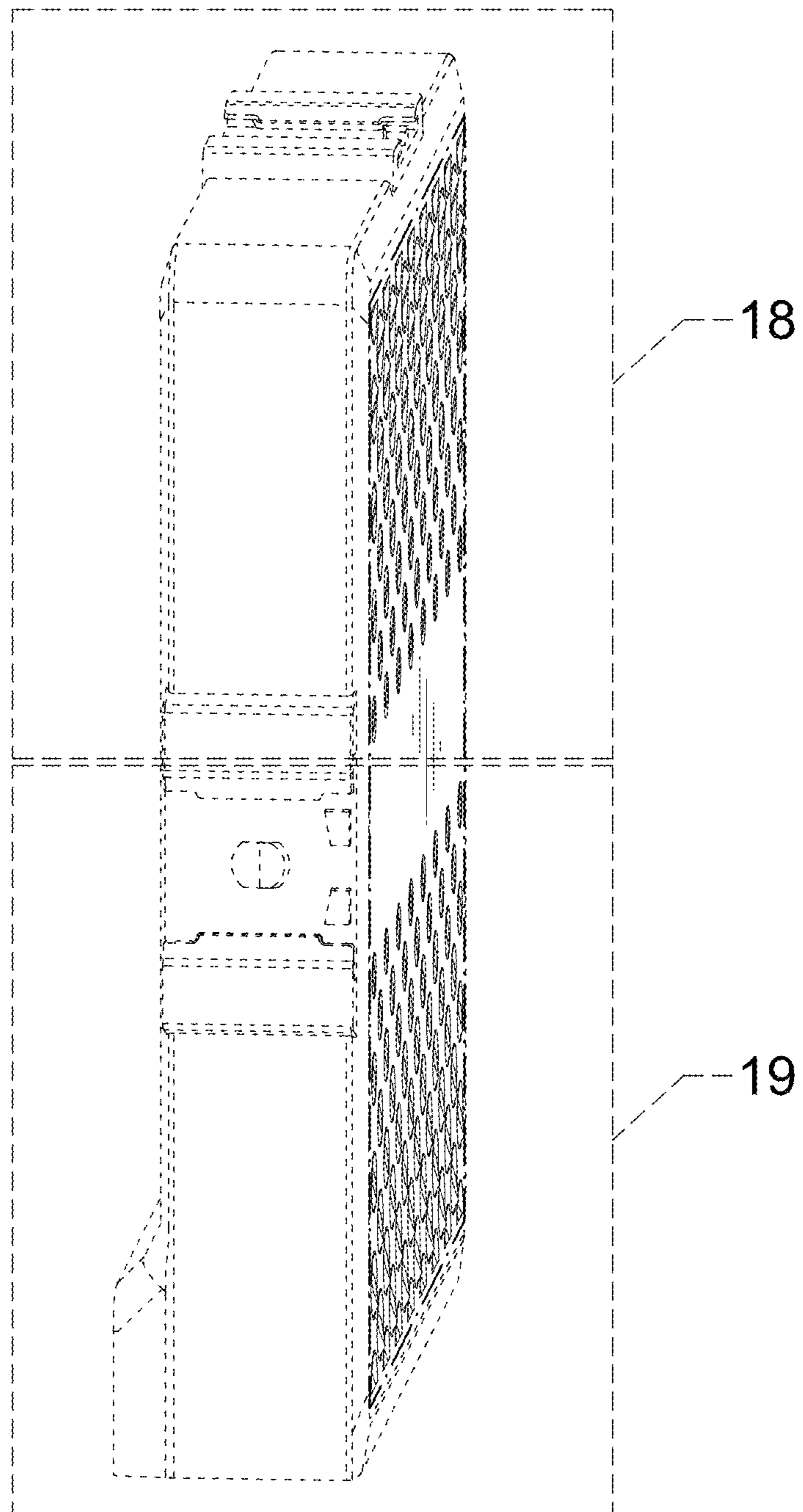


FIG. 9

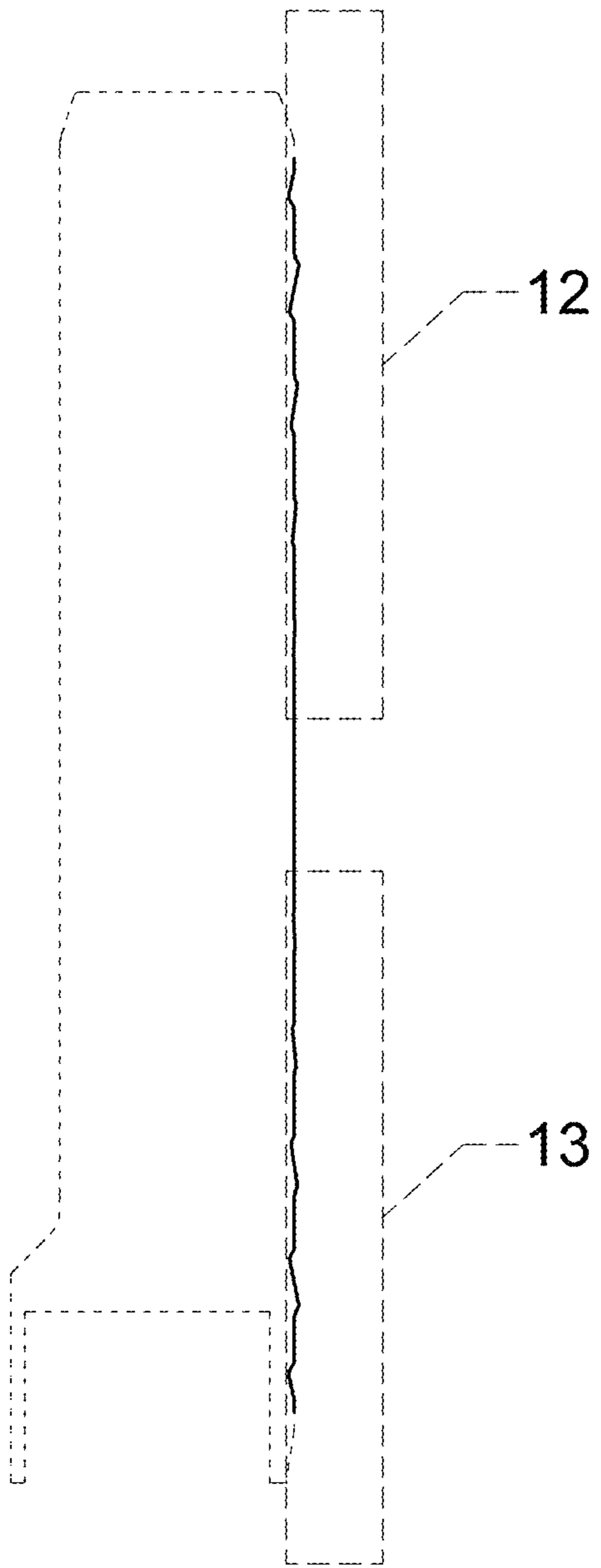


FIG. 10

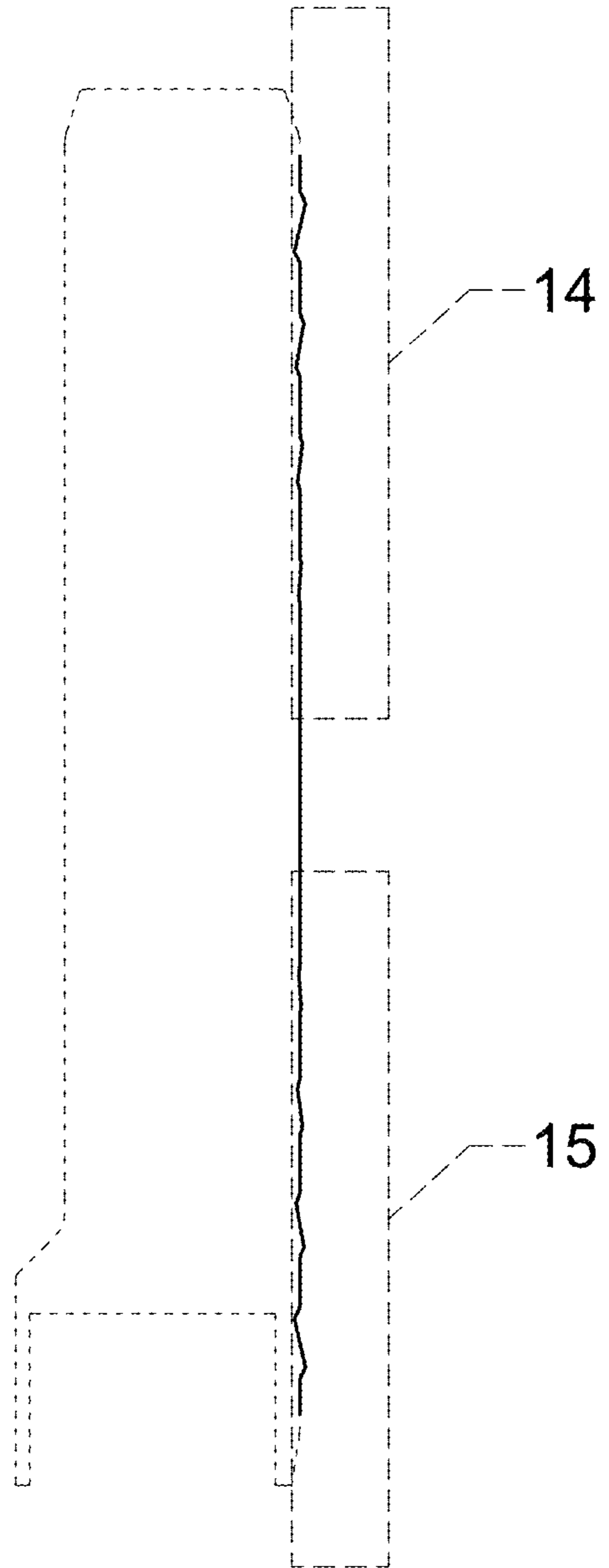


FIG. 11

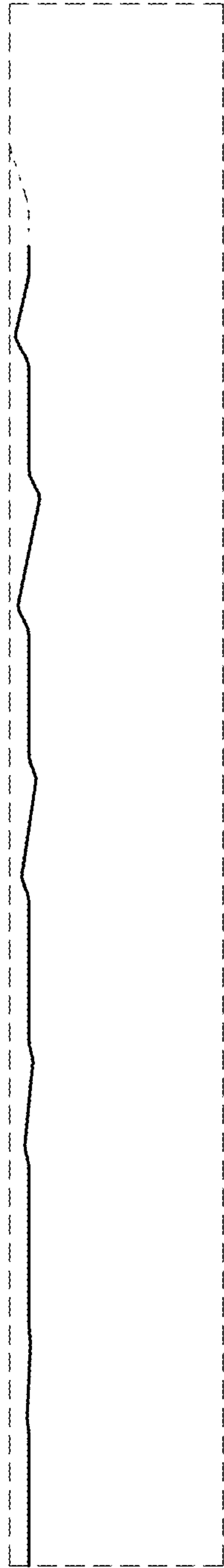


FIG. 12

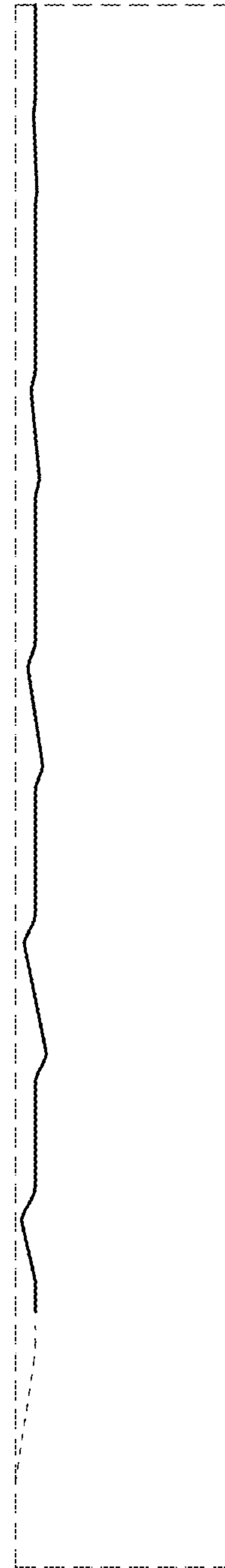


FIG. 13



FIG. 14

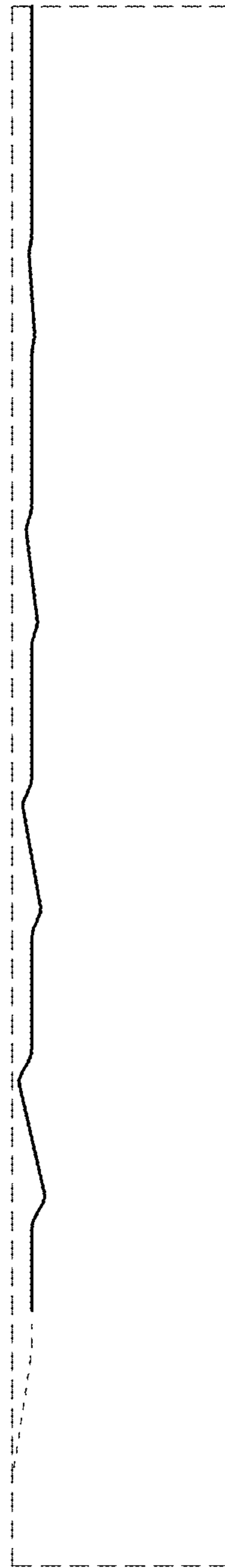


FIG. 15

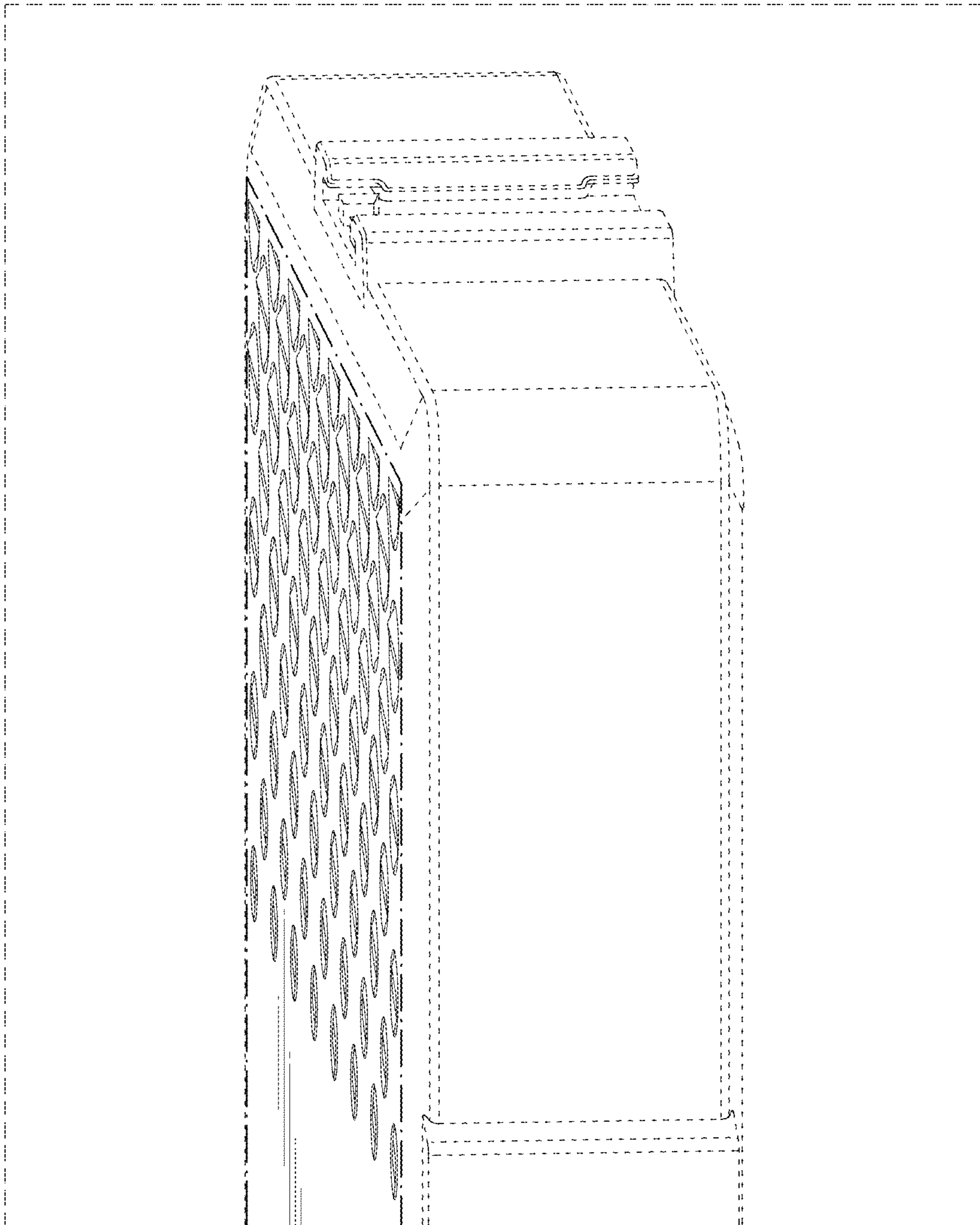


FIG. 16

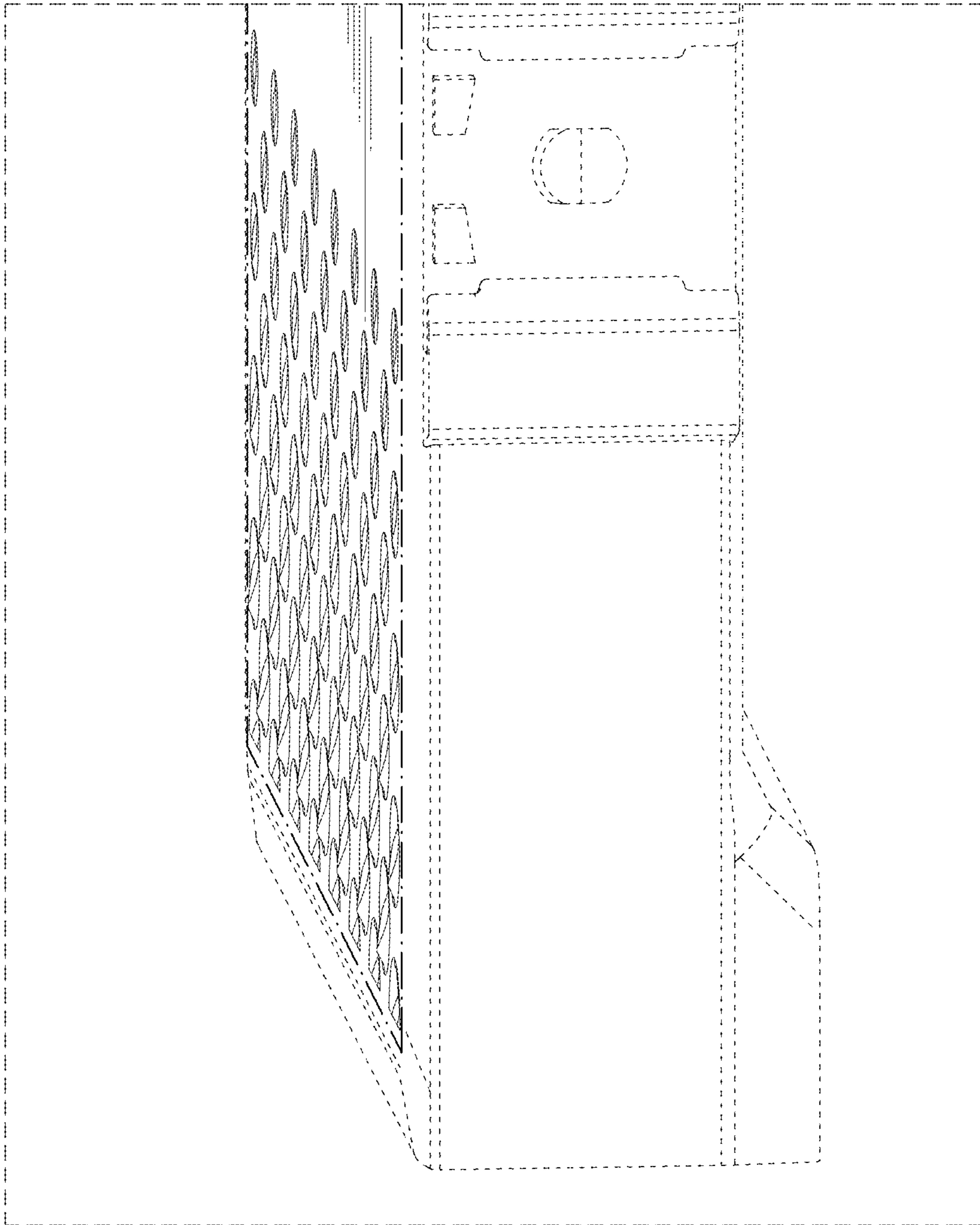


FIG. 17

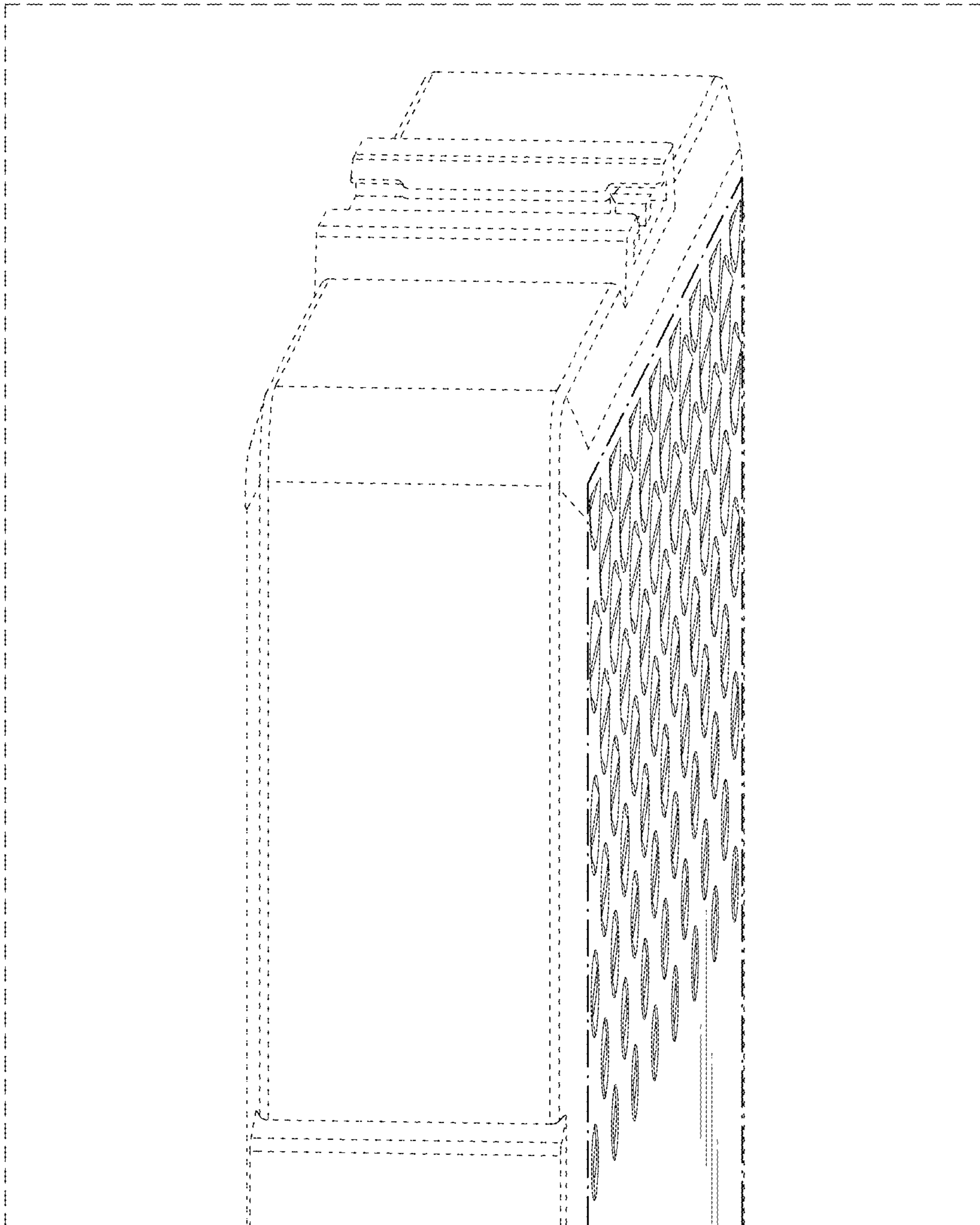


FIG. 18

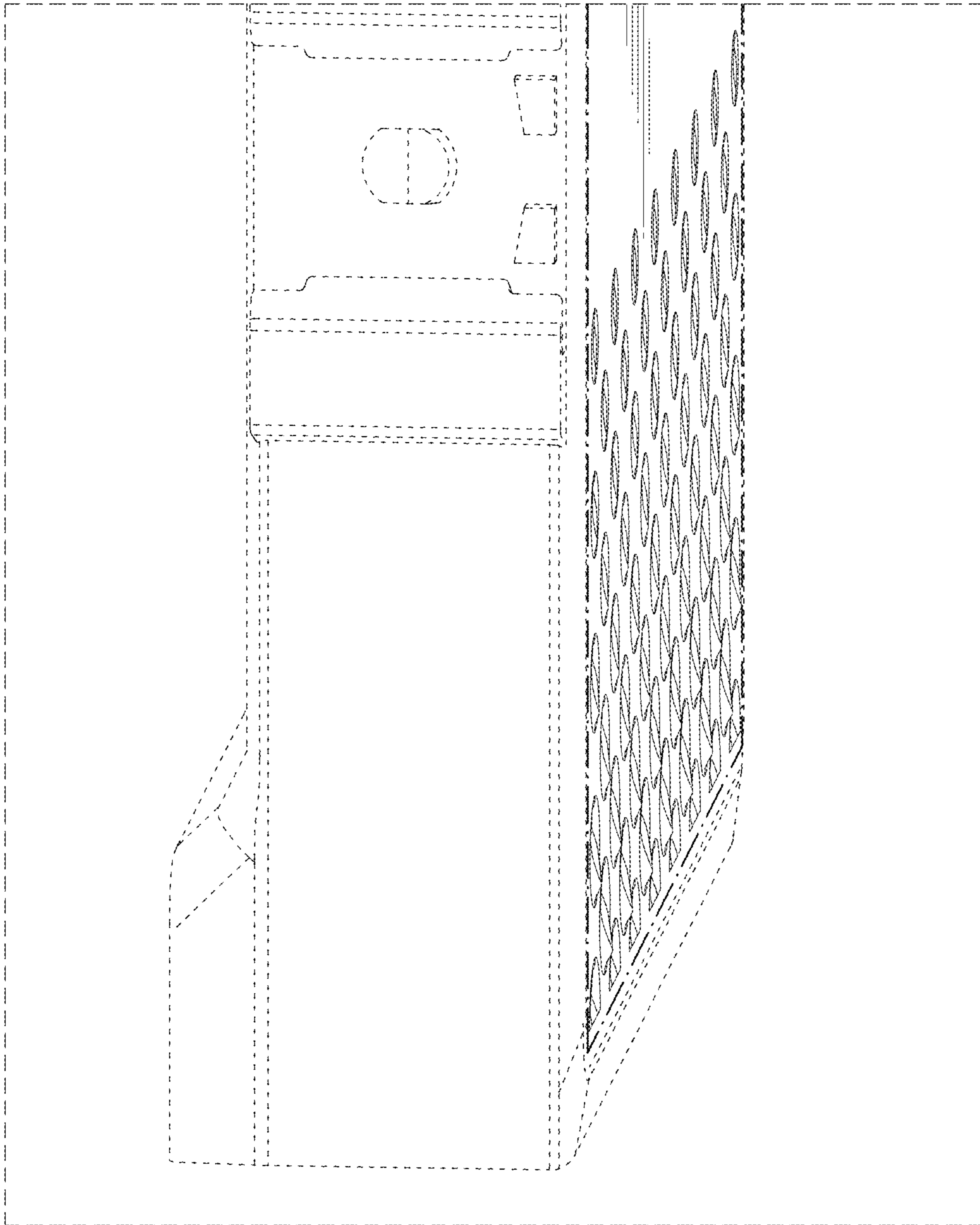


FIG. 19