



US00D892048S

(12) **United States Design Patent** (10) **Patent No.:** **US D892,048 S**  
**Zhuang** (45) **Date of Patent:** **\*\* Aug. 4, 2020**

- (54) **ADAPTER**
- (71) Applicant: **Wansi Zhuang**, Shantou (CN)
- (72) Inventor: **Wansi Zhuang**, Shantou (CN)
- (\*\*) Term: **15 Years**
- (21) Appl. No.: **29/726,351**
- (22) Filed: **Mar. 3, 2020**
- (51) **LOC (12) Cl.** ..... **13-02**
- (52) **U.S. Cl.**  
USPC ..... **D13/110; D14/433**
- (58) **Field of Classification Search**  
USPC ... D13/110, 103, 107, 108, 118, 123, 137.1, D13/137.4, 138.1, 147, 162, 168, 169, D13/174, 177, 184, 199; D14/257, 432, D14/433, 438; 174/16.3, 17 R, 17.08; 361/600, 601, 690, 694, 695, 679.01, 361/679.61, 704, 730; 363/141, 142  
CPC ..... H05K 5/00; H05K 5/02; H05K 5/0247; H05K 7/00; H05K 7/20; H05K 7/20136; H05K 7/20154; H05K 7/209; H02M 7/00; H02M 7/003; H02M 2001/009; H02J 7/0042; Y10T 307/367; Y02E 60/12; Y02E 60/50; H01M 2/02; H01M 2/025; H01M 2/0207; H01M 2/0212  
See application file for complete search history.

D719,092 S *	12/2014	Huang	.....	D13/110
D778,913 S	2/2017	Huang et al.		
D781,786 S *	3/2017	Akana	.....	D13/147
D790,465 S	6/2017	Zhao		
D845,953 S *	4/2019	Boehmer	.....	D14/433
D868,784 S *	12/2019	Turksu	.....	D14/385
2014/0294656 A1 *	10/2014	Brickner	.....	H01R 43/16 419/28

**OTHER PUBLICATIONS**

[https://www.amazon.com/s?k=RCA+USB+C+to+HDMI+Adapter%2C+USB+Type-C+to+HDMI+Adapter%2C+Support+4K%4060Hz%2C+Portable+USB+C&i=electronics&ref=nb\\_sb\\_noss](https://www.amazon.com/s?k=RCA+USB+C+to+HDMI+Adapter%2C+USB+Type-C+to+HDMI+Adapter%2C+Support+4K%4060Hz%2C+Portable+USB+C&i=electronics&ref=nb_sb_noss) Nov. 5, 2019—RCA USB C to HDMI Adapter (Year: 2019).\*

\* cited by examiner

*Primary Examiner* — Derrick E Holland

(57) **CLAIM**

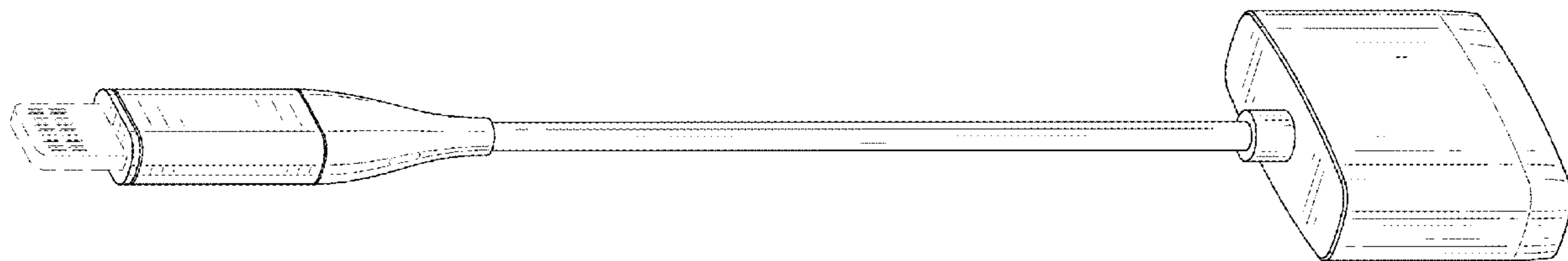
The ornamental design for an adapter, as shown and described.

**DESCRIPTION**

FIG. 1 is a perspective view of an adapter showing my new design;  
FIG. 2 is another perspective view thereof;  
FIG. 3 is a front elevational view thereof;  
FIG. 4 is a rear elevational view thereof;  
FIG. 5 is a left side elevational view thereof;  
FIG. 6 is a right side elevational view thereof;  
FIG. 7 is a top plan view thereof;  
FIG. 8 is a bottom plan view thereof;  
FIG. 9 is an enlarged left side elevational view thereof; and,  
FIG. 10 is an enlarged right side elevational view thereof.  
The broken lines in the drawings depict portions of the adapter that form no part of the claimed design.

**1 Claim, 10 Drawing Sheets**

- (56) **References Cited**  
U.S. PATENT DOCUMENTS  
D456,008 S 4/2002 Kawanobe et al.  
D572,712 S \* 7/2008 Ledbetter ..... D13/110  
D613,249 S \* 4/2010 Nagata ..... D13/147  
D628,537 S \* 12/2010 Nagata ..... D13/147  
D671,491 S \* 11/2012 Zaslavsky ..... D13/110



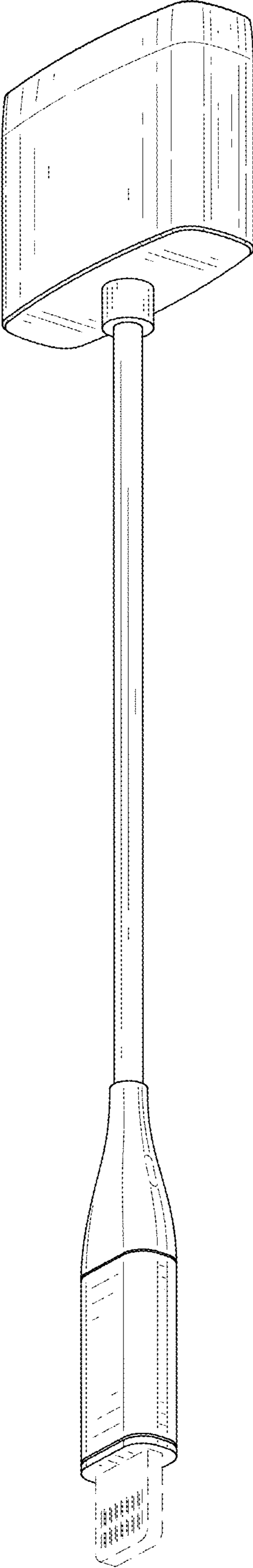


FIG. 1

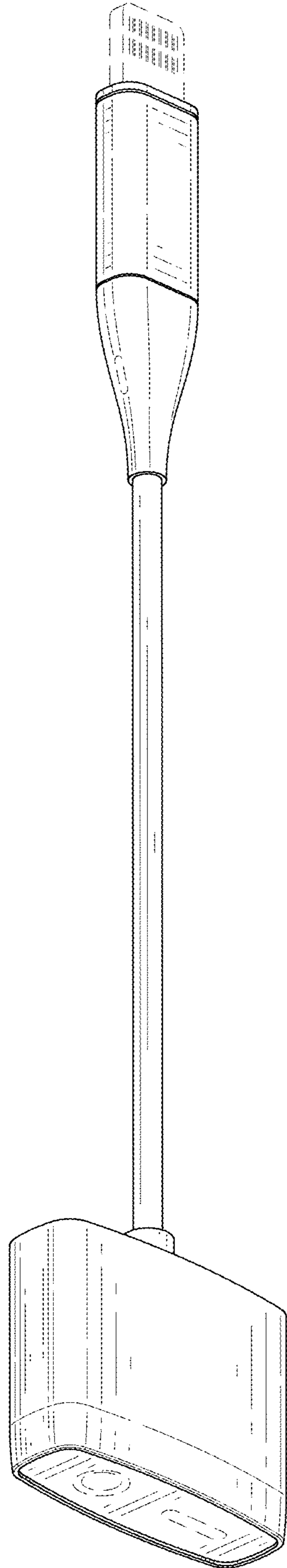


FIG. 2

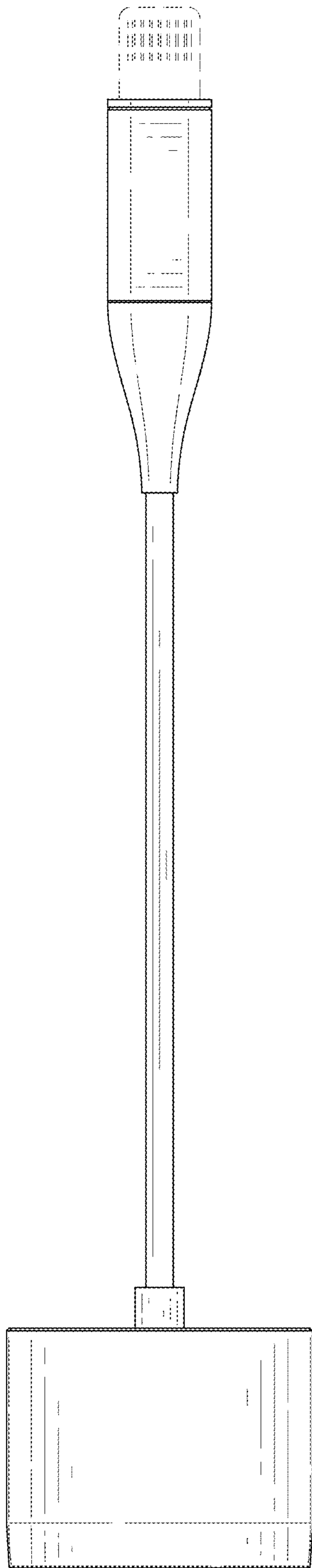


FIG. 3

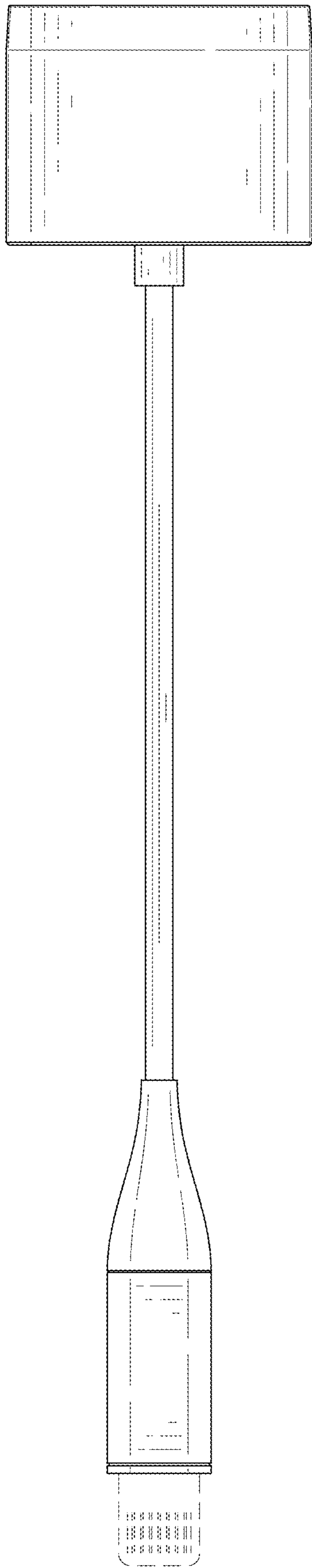


FIG. 4

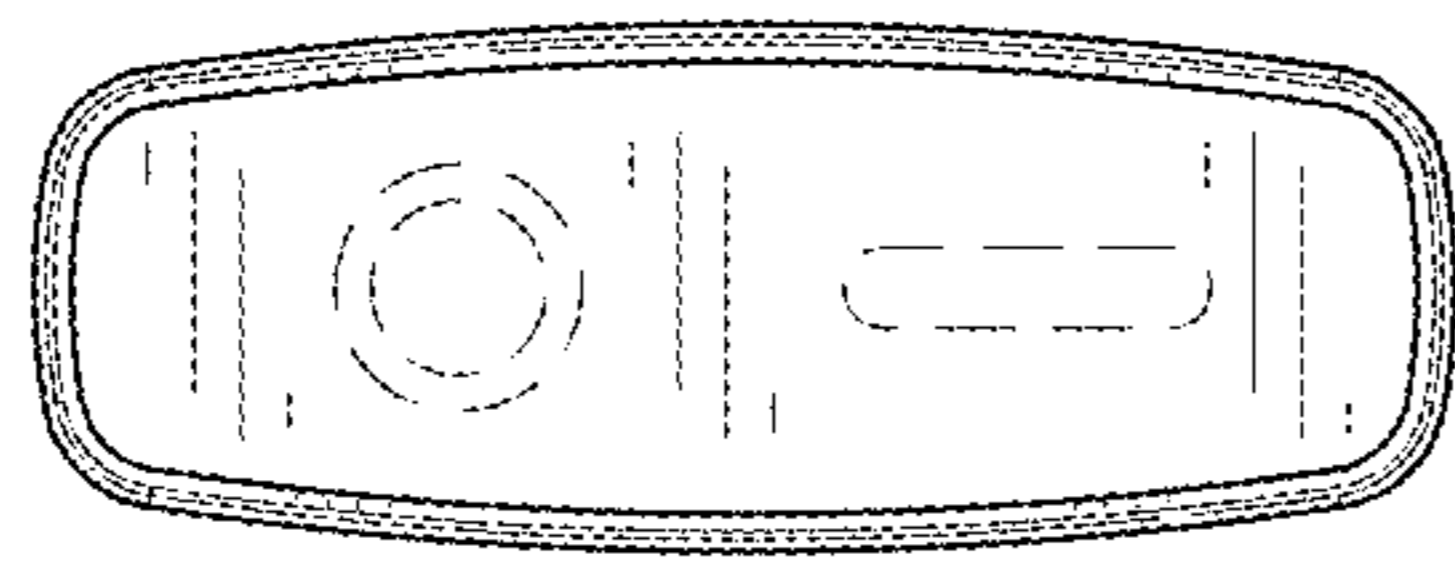


FIG. 5

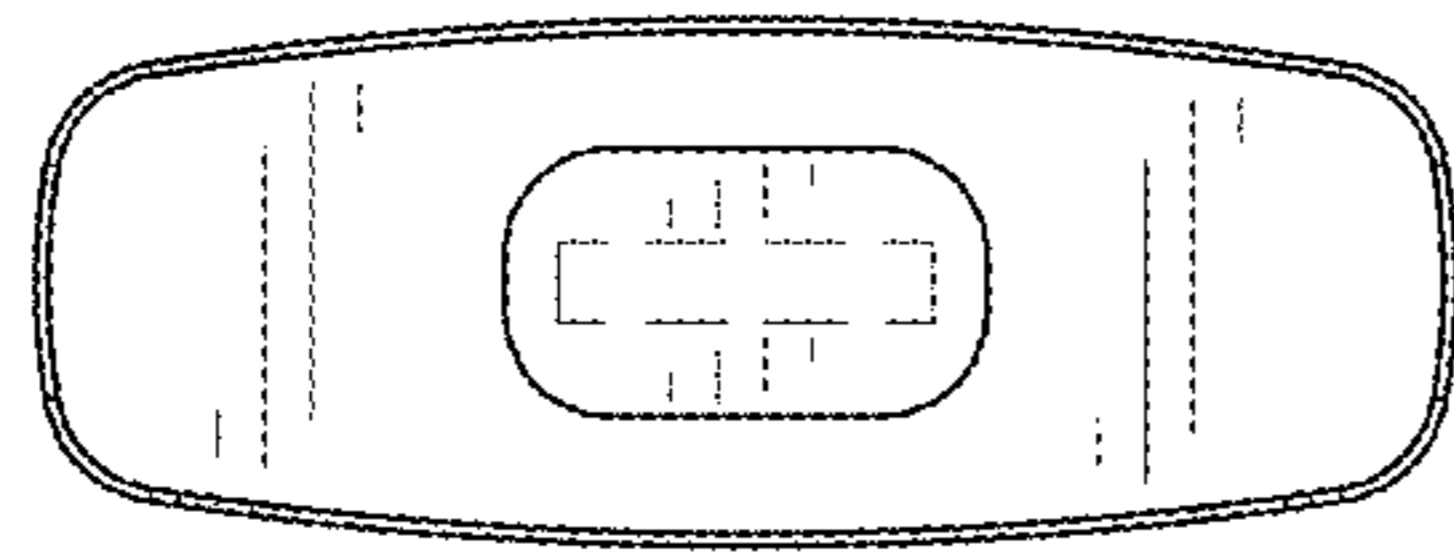


FIG. 6

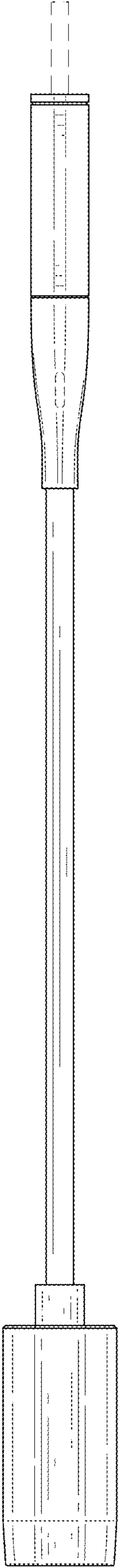


FIG. 7



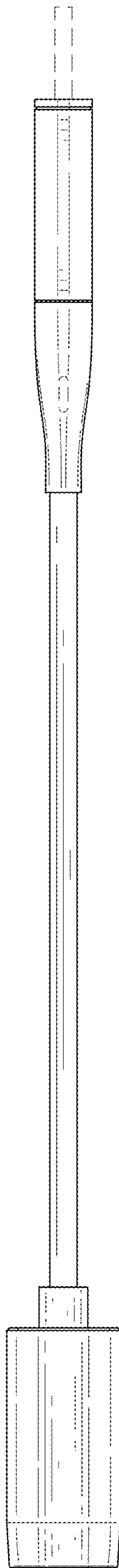


FIG. 8

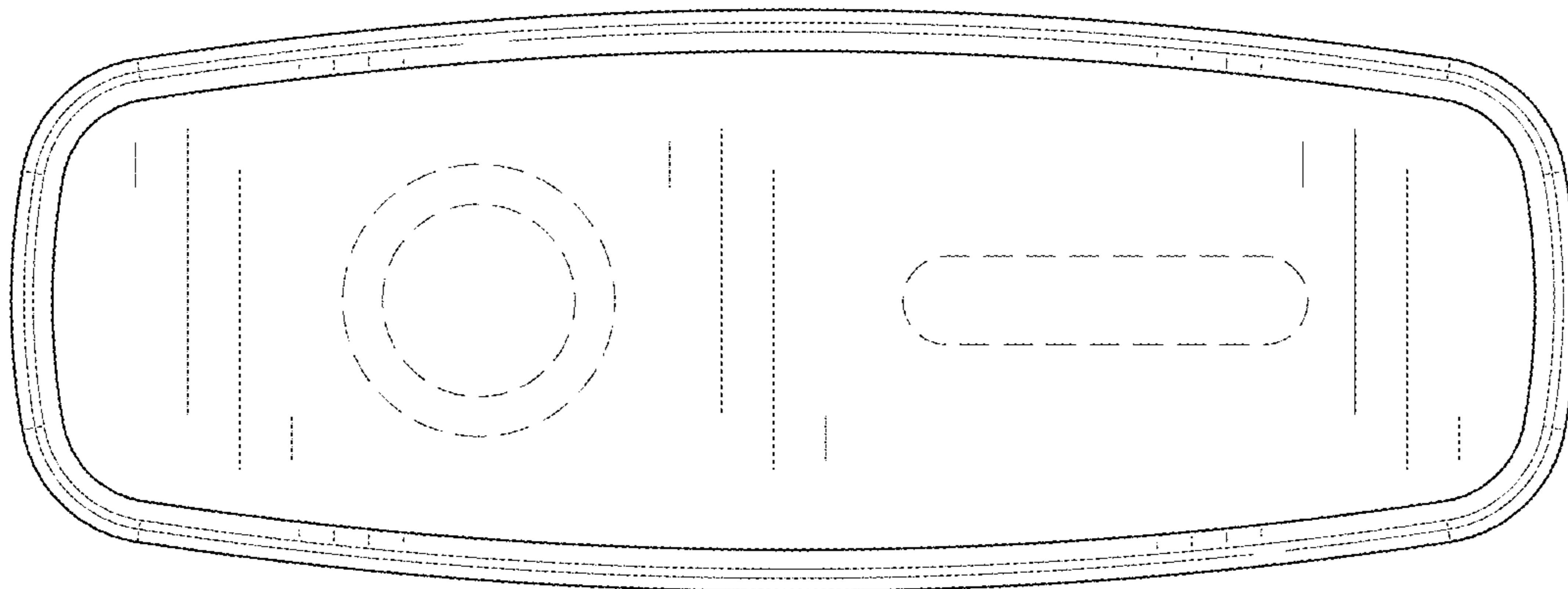


FIG. 9

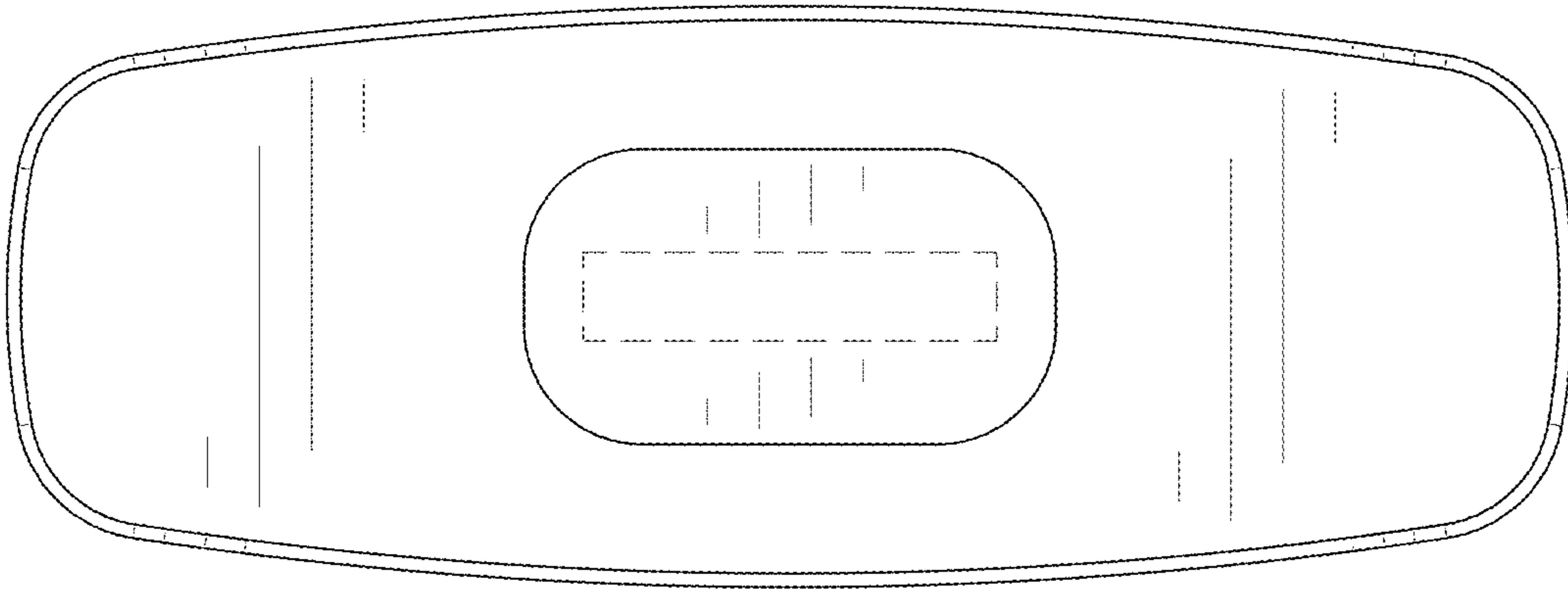


FIG. 10