



US00D892042S

(12) **United States Design Patent**
Hernandez et al.

(10) **Patent No.:** **US D892,042 S**

(45) **Date of Patent:** **** Aug. 4, 2020**

(54) **CHARGING STAND**

(71) Applicant: **THERAGUN, LLC**, Santa Monica, CA (US)

(72) Inventors: **Trent Hernandez**, Los Angeles, CA (US); **Dennis Matthew Puhalla**, Chicago, IL (US); **Jillian Tackaberry**, Chicago, IL (US); **Gary Paulsen**, Chicago, IL (US)

(73) Assignee: **THERAGUN, INC.**, Beverly Hills, CA (US)

(**) Term: **15 Years**

(21) Appl. No.: **29/679,889**

(22) Filed: **Feb. 11, 2019**

(51) **LOC (12) Cl.** **13-02**

(52) **U.S. Cl.**
USPC **D13/108**

(58) **Field of Classification Search**

USPC D13/107–110, 118–119, 184; D14/251, D14/253, 432, 434

CPC Y02E 60/12; Y02T 90/14; Y02T 90/122; Y02T 90/128; Y02T 90/163; H02J 7/025; H02J 7/0042; H02J 7/0044; H02J 7/0045; H02J 7/0013; H02J 7/0003; H01F 38/14; H01R 13/6675; H01M 2/1022; H01M 2/1055; H01M 10/44; H01M 10/46; H01M 10/425; B60L 11/182

See application file for complete search history.

(56) **References Cited**

U.S. PATENT DOCUMENTS

D434,372 S * 11/2000 Buchin D13/108
D456,005 S * 4/2002 Jokinen D13/108

D466,476 S * 12/2002 Stratford D13/108
D488,439 S * 4/2004 Orthey D13/107
D509,788 S * 9/2005 Schlieffers D13/108
D523,809 S * 6/2006 Roth D13/108
D551,618 S * 9/2007 Aglassinger D13/108
D605,588 S * 12/2009 Nomi D13/108
D673,498 S * 1/2013 Colle D13/108
D697,474 S * 1/2014 Manneschi D13/108
D781,784 S * 3/2017 Dingle D13/108
D839,824 S * 2/2019 Parra D13/107
D880,419 S * 4/2020 Hernandez D13/108

* cited by examiner

Primary Examiner — Nathaniel D. Buckner

(74) *Attorney, Agent, or Firm* — Jeffer Mangels Butler & Mitchell LLP; Brennan C. Swain, Esq.

(57) **CLAIM**

The ornamental design for a charging stand, as shown and described.

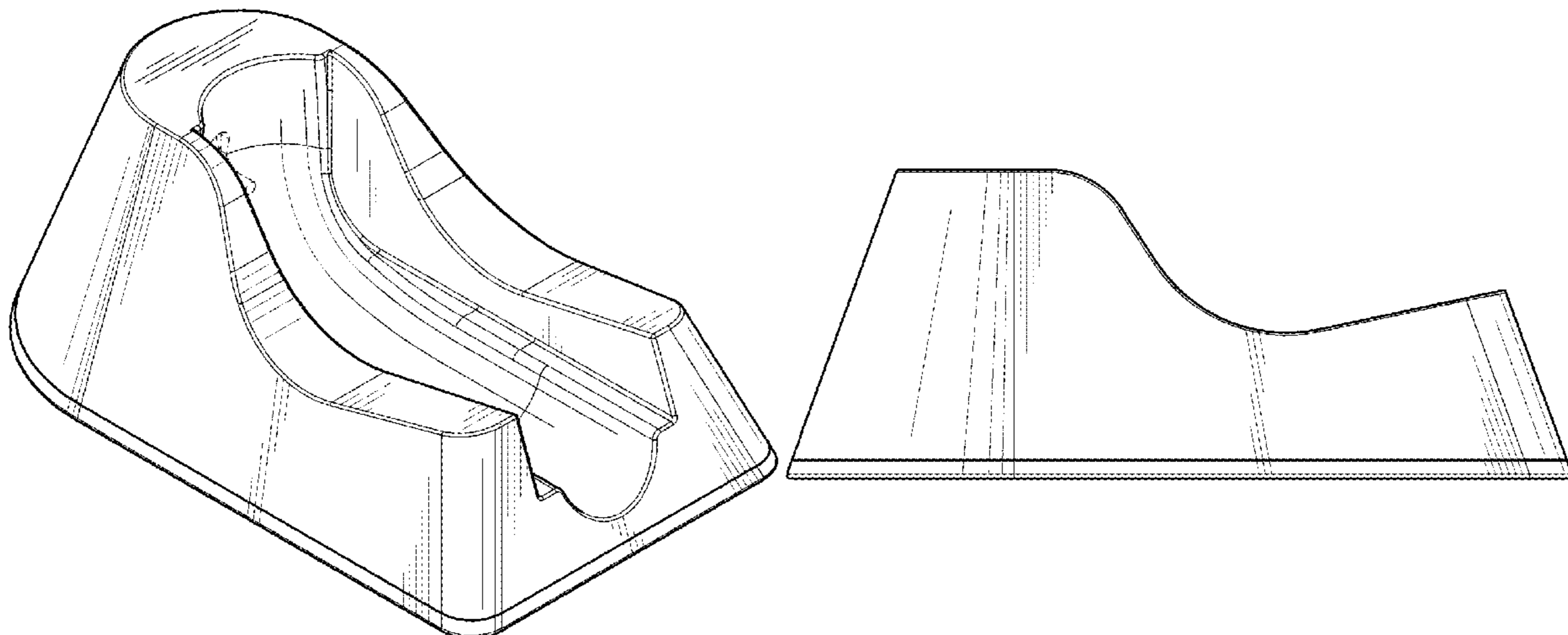
DESCRIPTION

FIG. 1 is a front perspective view of the present invention; FIG. 2 is a rear perspective view of the present invention; FIG. 3 is a front elevational view of the present invention; FIG. 4 is a rear elevational view of the present invention; FIG. 5 is a right side elevational view of the present invention, the left side elevational view being a mirror image thereof; and,

FIG. 6 is a top plan view of the present invention.

The broken lines shown in the figures are for the purpose of illustrating portions of the charging stand that form no part of the claimed design.

1 Claim, 5 Drawing Sheets



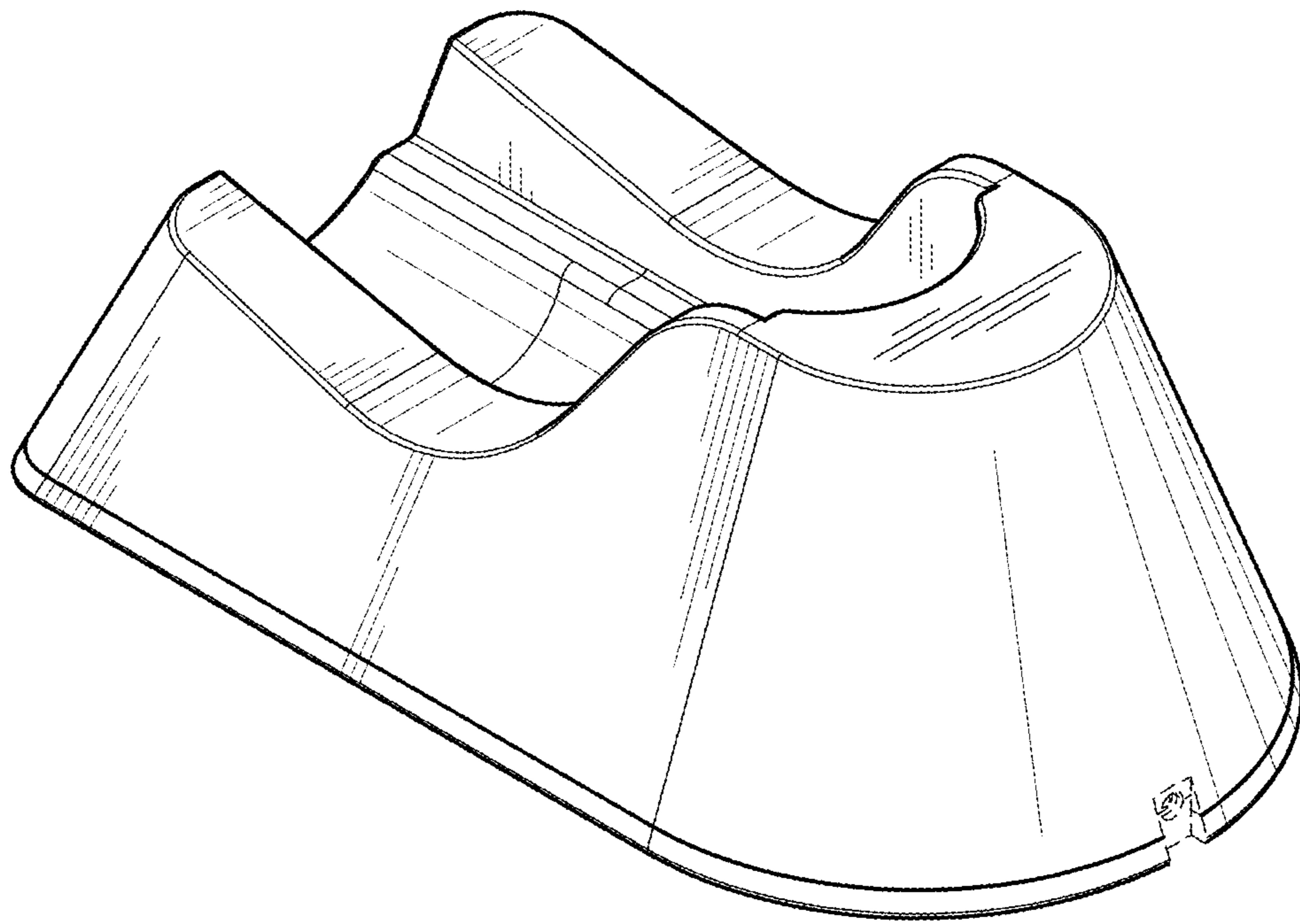


FIG. 1

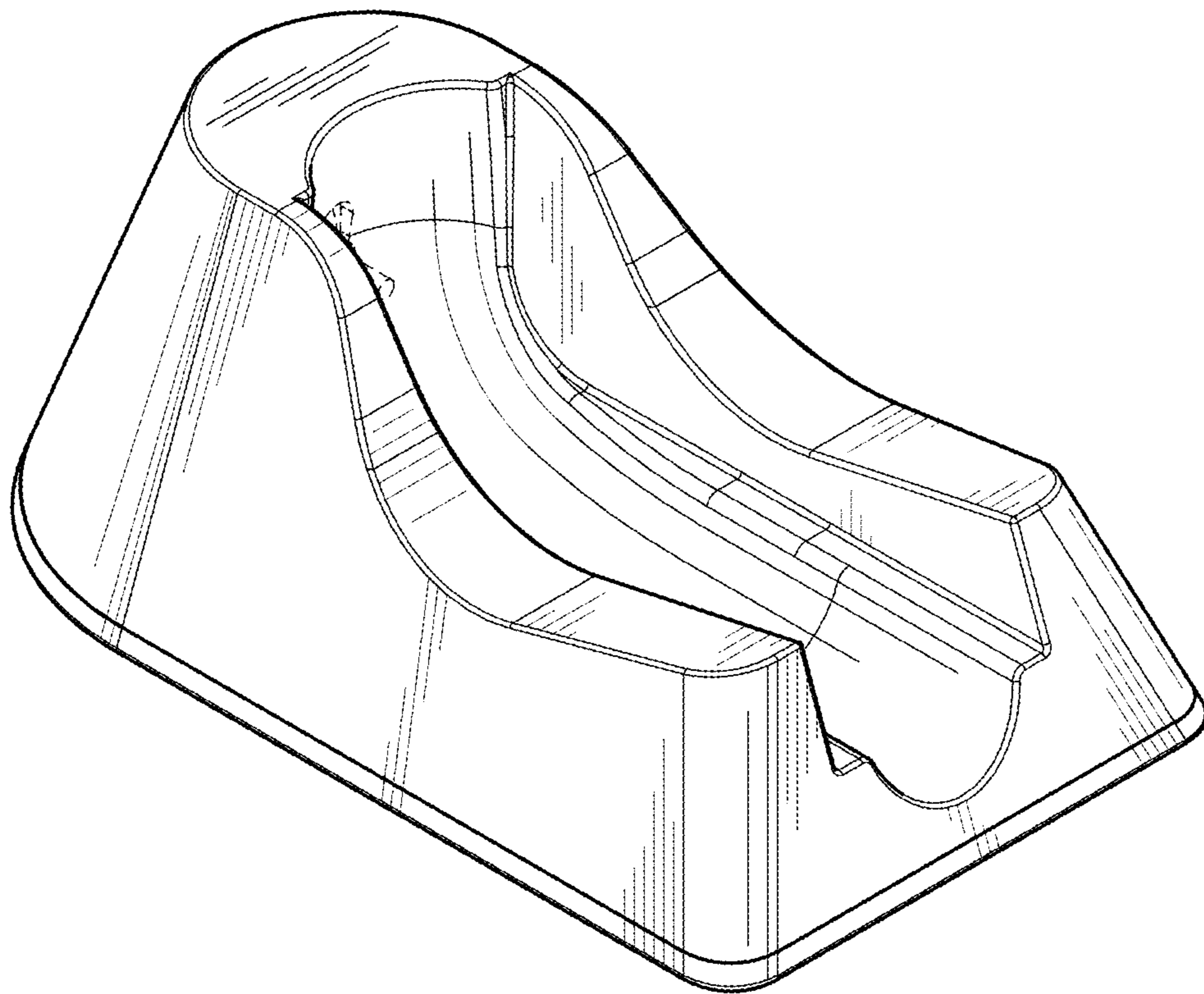


FIG. 2

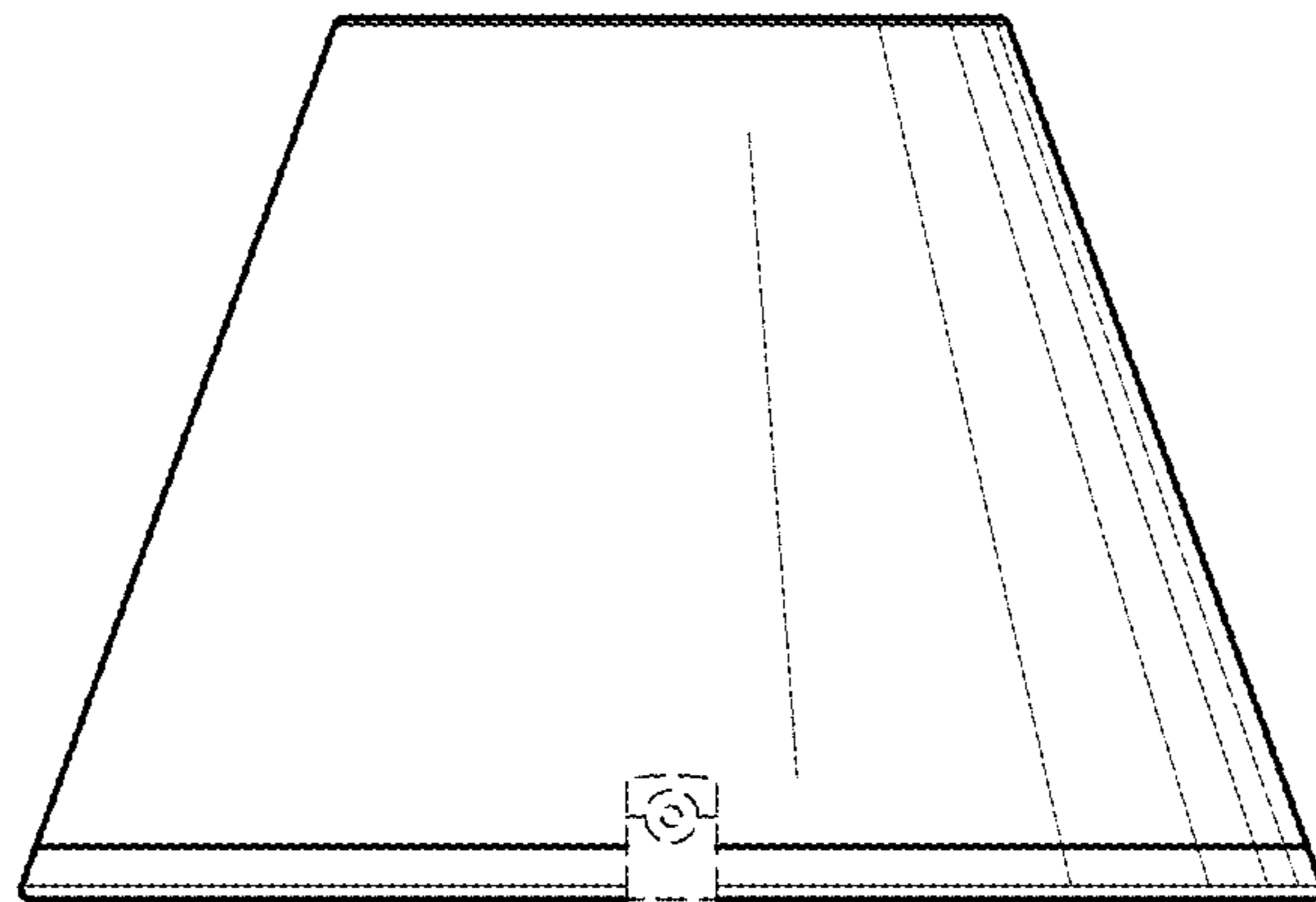


FIG. 3

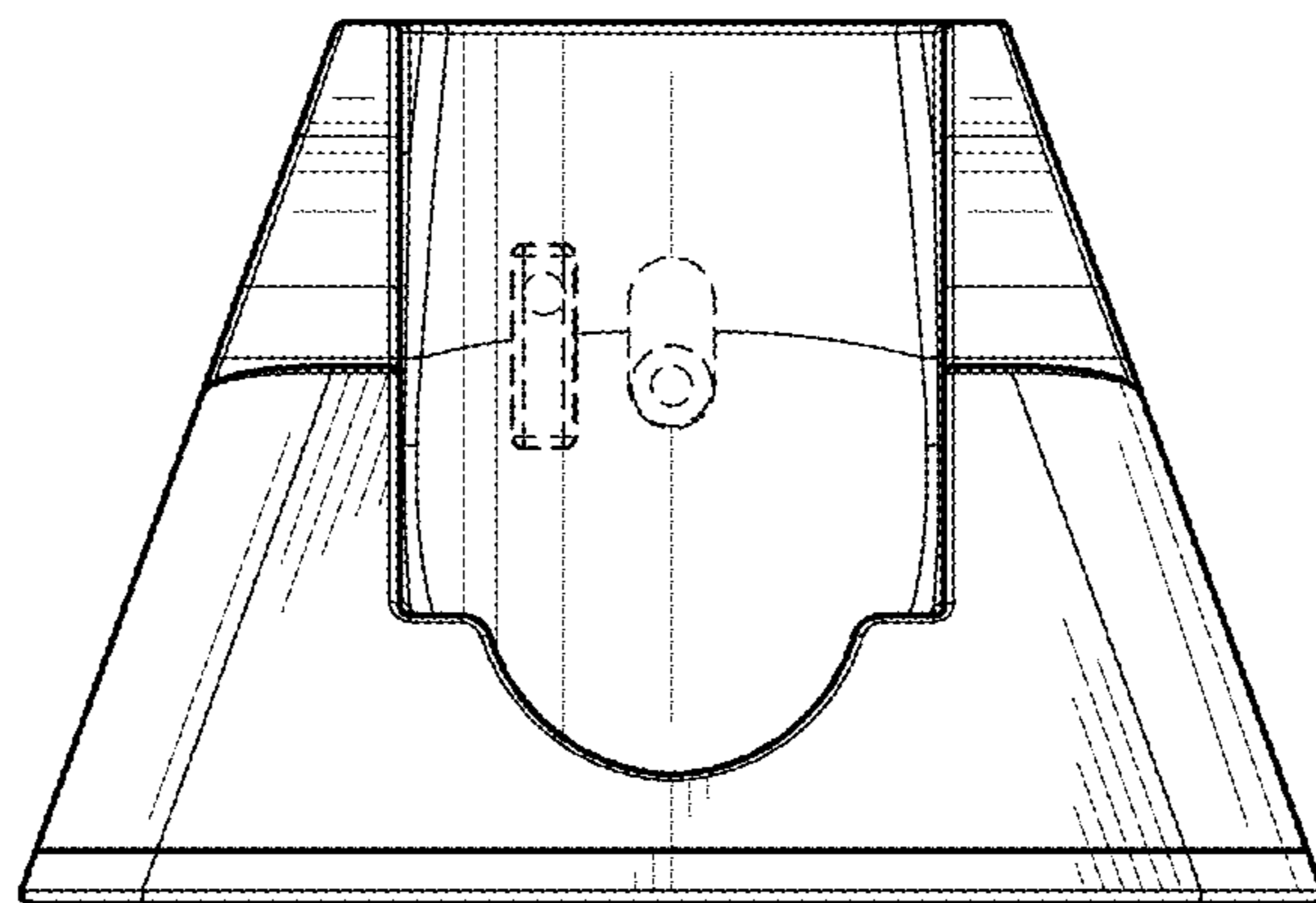


FIG. 4

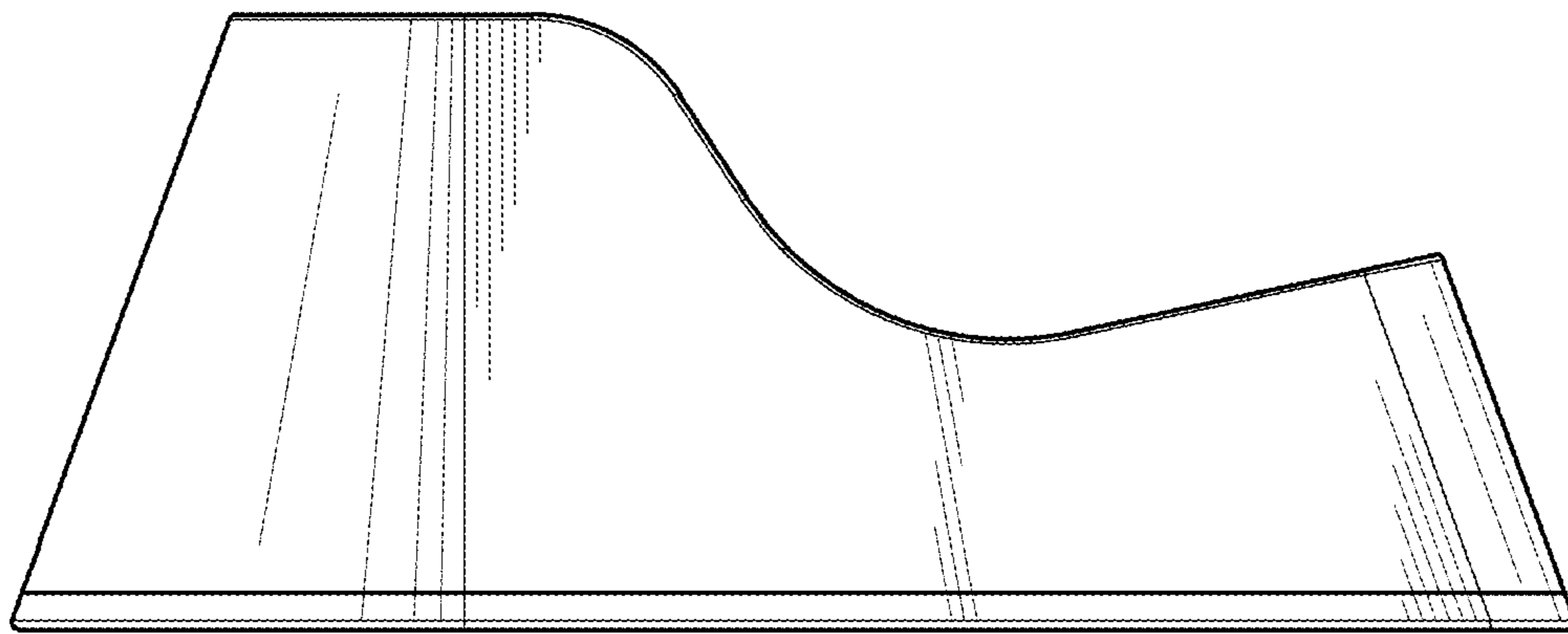


FIG. 5

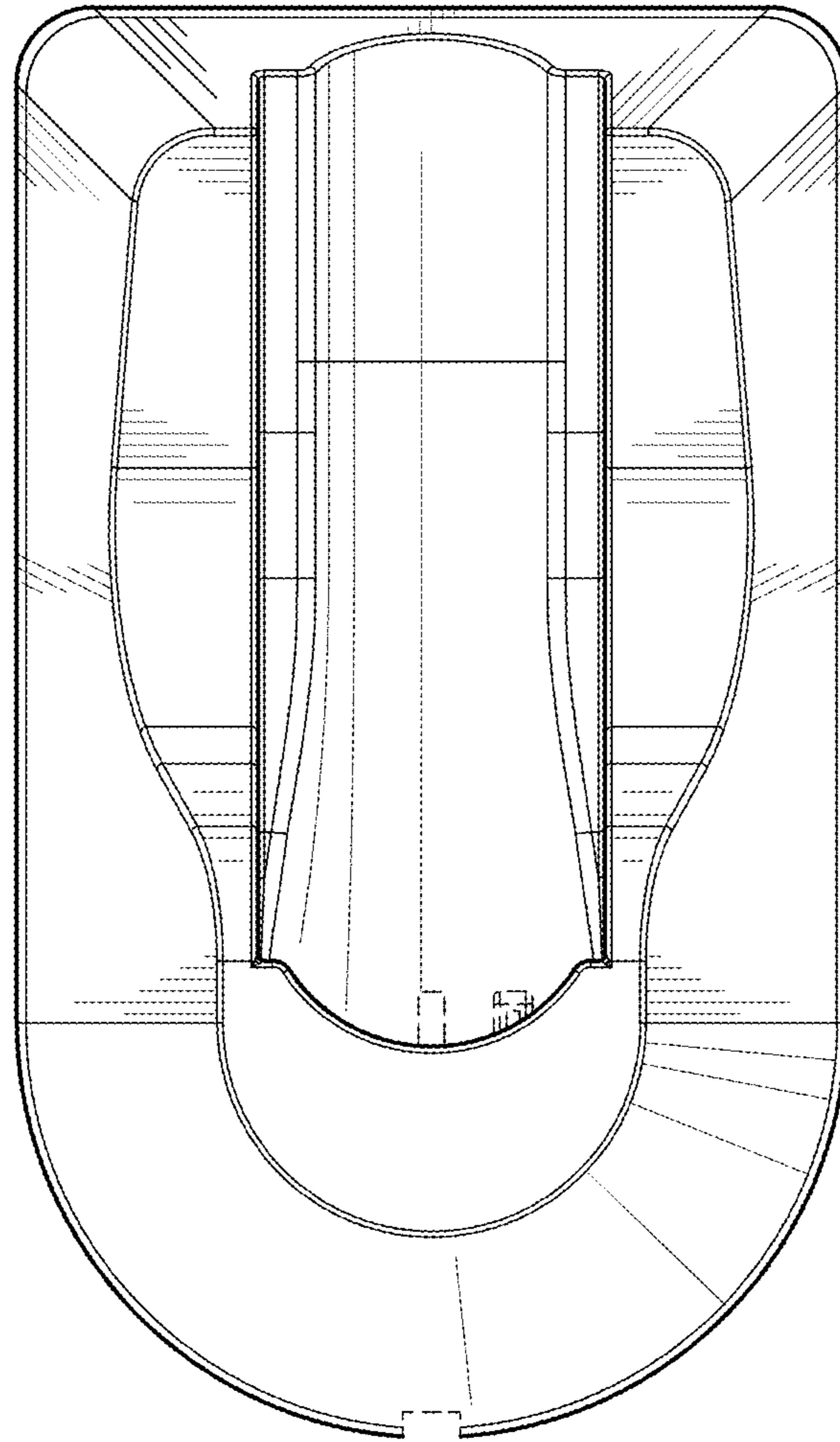


FIG. 6