



US00D892040S

(12) **United States Design Patent**  
**Wu**

(10) **Patent No.:** **US D892,040 S**

(45) **Date of Patent:** **\*\* Aug. 4, 2020**

(54) **WIRELESS CHARGE BRACKET**

(71) Applicant: **Shenzhen Champion Industry Co., Ltd.**, Shenzhen, GuangDong Province (CN)

(72) Inventor: **Li Na Wu**, Shenzhen (CN)

(73) Assignee: **SHENZHEN CHAMPION INDUSTRY CO., LTD.**, Shenzhen, Guangdong Province (CN)

(\*\*) Term: **15 Years**

(21) Appl. No.: **29/653,444**

(22) Filed: **Jun. 15, 2018**

(30) **Foreign Application Priority Data**

Dec. 18, 2017 (CN) ..... 2017 3 0649717  
May 23, 2018 (CN) ..... 2018 3 0243137

(51) **LOC (12) Cl.** ..... **13-02**

(52) **U.S. Cl.**  
USPC ..... **D13/108**

(58) **Field of Classification Search**  
USPC ..... D13/107-110, 118-119, 184; D14/251, D14/253, 432, 434  
CPC ..... Y02E 60/12; Y02T 90/14; Y02T 90/122; Y02T 90/128; Y02T 90/163; Y02T 10/7005; Y02T 10/7088; H02J 7/025; H02J 7/0042; H02J 7/0044; H02J 7/0045; H02J 7/0003; H01F 38/14; H01M 2/1022; H01M 2/1055; H01M 10/44; H01M 10/46; H01M 10/425; B60L 11/182  
See application file for complete search history.

(56) **References Cited**

**U.S. PATENT DOCUMENTS**

D419,290 S \* 1/2000 Treyer ..... D14/253  
D489,322 S \* 5/2004 Sawai ..... D13/108

D586,348 S \* 2/2009 Leung ..... D12/415  
D606,065 S \* 12/2009 Rihu ..... D14/253  
D634,947 S \* 3/2011 Barabas ..... D14/434  
D654,119 S \* 2/2012 Lin ..... D14/434  
D654,120 S \* 2/2012 Lin ..... D14/434  
D707,624 S \* 6/2014 Morrison ..... D13/108  
D728,663 S \* 5/2015 Russell ..... D14/253  
D749,507 S \* 2/2016 Choi ..... D13/108  
D767,556 S \* 9/2016 Lee ..... D12/415  
D770,171 S \* 11/2016 Lai ..... D14/253  
D784,923 S \* 4/2017 Song ..... D13/108  
D799,203 S \* 10/2017 Karl, IV ..... D3/218

(Continued)

*Primary Examiner* — Rosemary K Tarca

(74) *Attorney, Agent, or Firm* — Cheng-Ju Chiang

(57) **CLAIM**

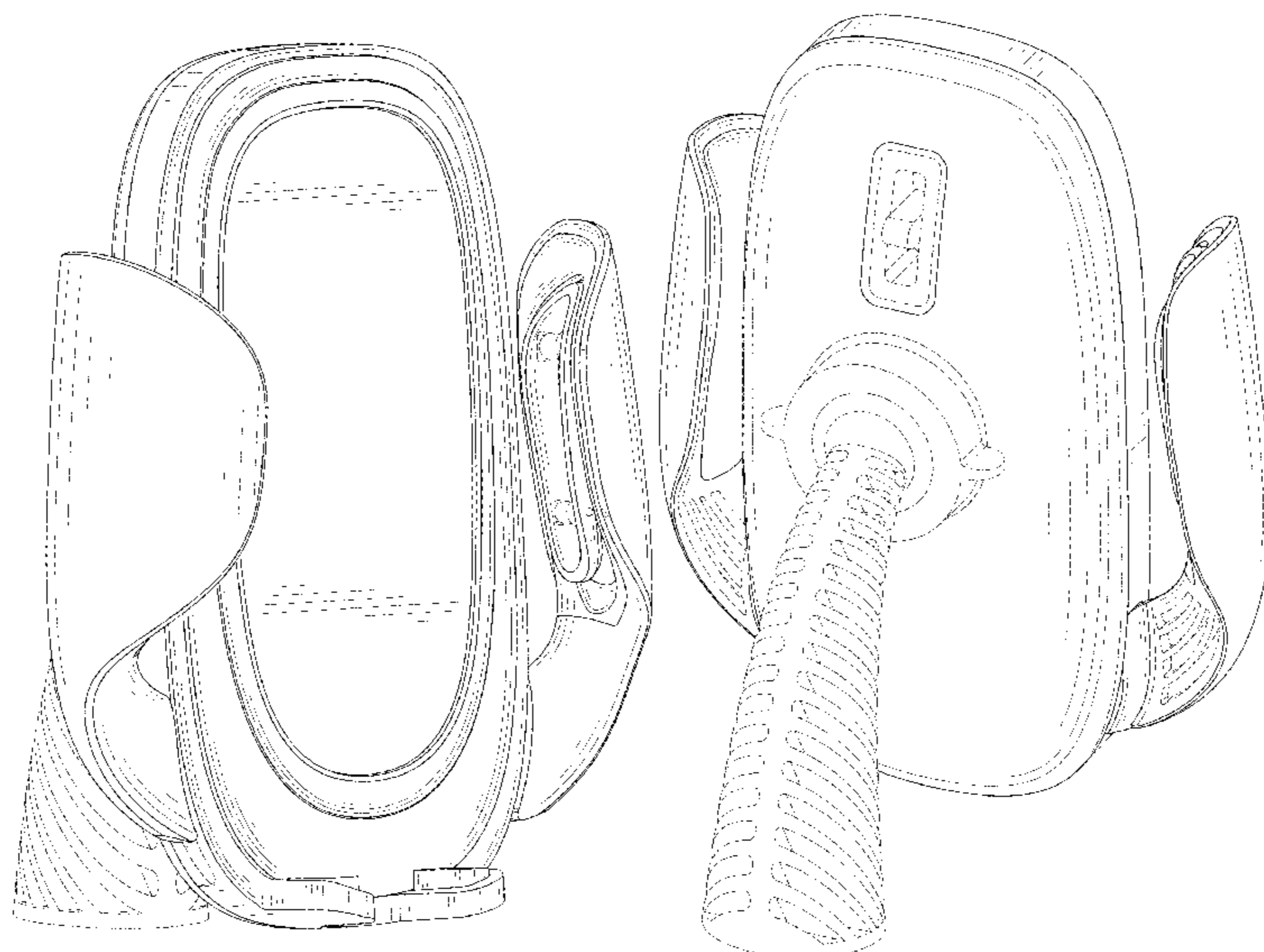
The ornamental design for a wireless charge bracket, as shown and described.

**DESCRIPTION**

FIG. 1 is a front perspective view of a wireless charge bracket showing my new design;  
FIG. 2 is a rear perspective view thereof;  
FIG. 3 is a front view thereof;  
FIG. 4 is a rear view thereof;  
FIG. 5 is a left side view thereof;  
FIG. 6 is a right side view thereof;  
FIG. 7 is a top view thereof;  
FIG. 8 is a bottom view thereof;  
FIG. 9 is a rear perspective view thereof, illustrating the wireless charge bracket of FIG. 2 in an alternate environment of use; and,  
FIG. 10 is a rear perspective view thereof, illustrating the wireless charge bracket of FIG. 2 in another alternate environment of use.

The broken lines shown in the drawings are for the purpose of illustrating environmental structure or portions of the wireless charge bracket which form no part of the claimed design.

**1 Claim, 10 Drawing Sheets**



(56)

**References Cited**

U.S. PATENT DOCUMENTS

D828,865 S *	9/2018	Zeng .....	D16/242
D835,705 S *	12/2018	Chun .....	D16/244
D840,994 S *	2/2019	Balmer .....	D14/253
D854,537 S *	7/2019	Ackeret .....	D14/253

\* cited by examiner

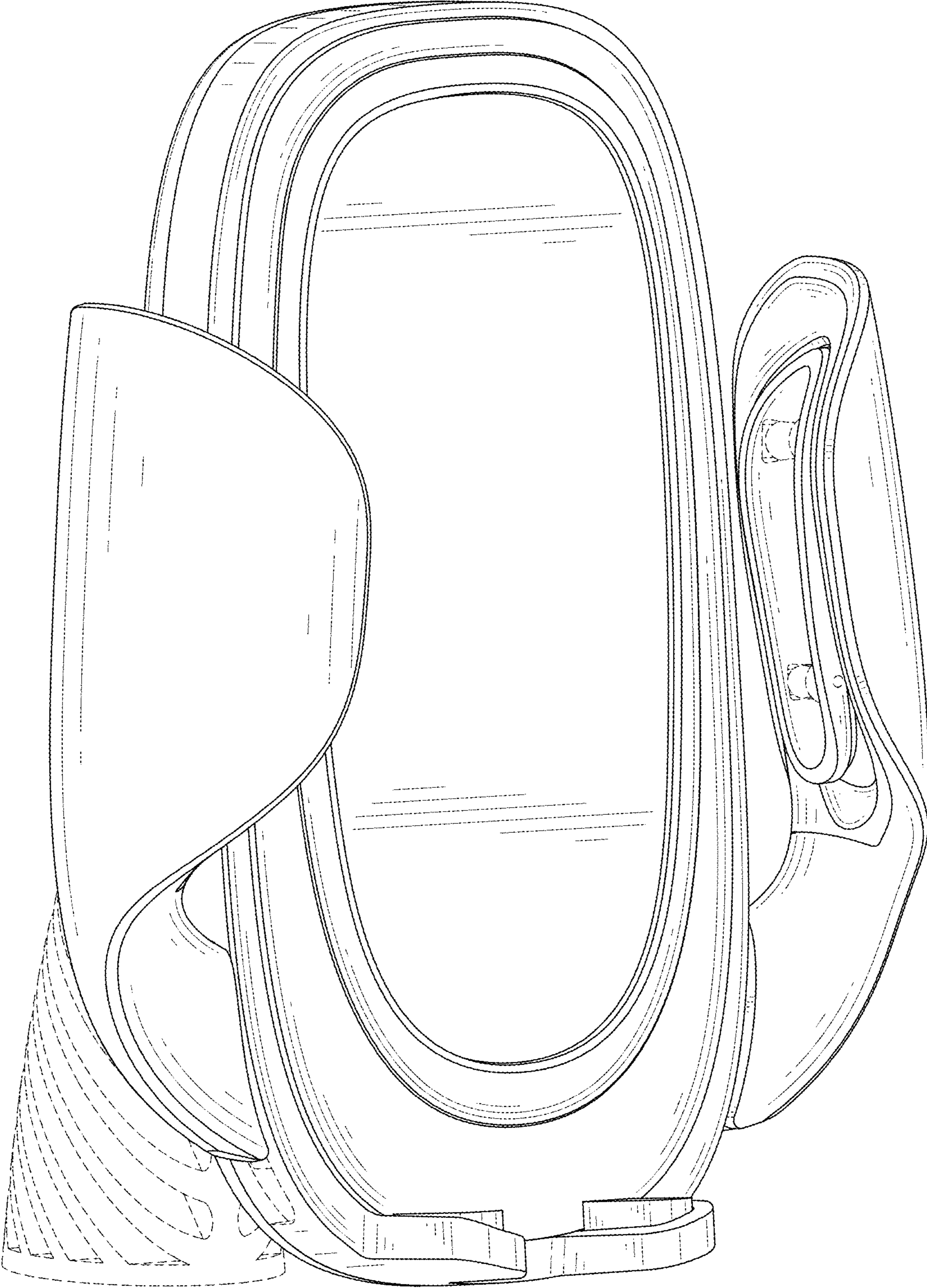


FIG. 1

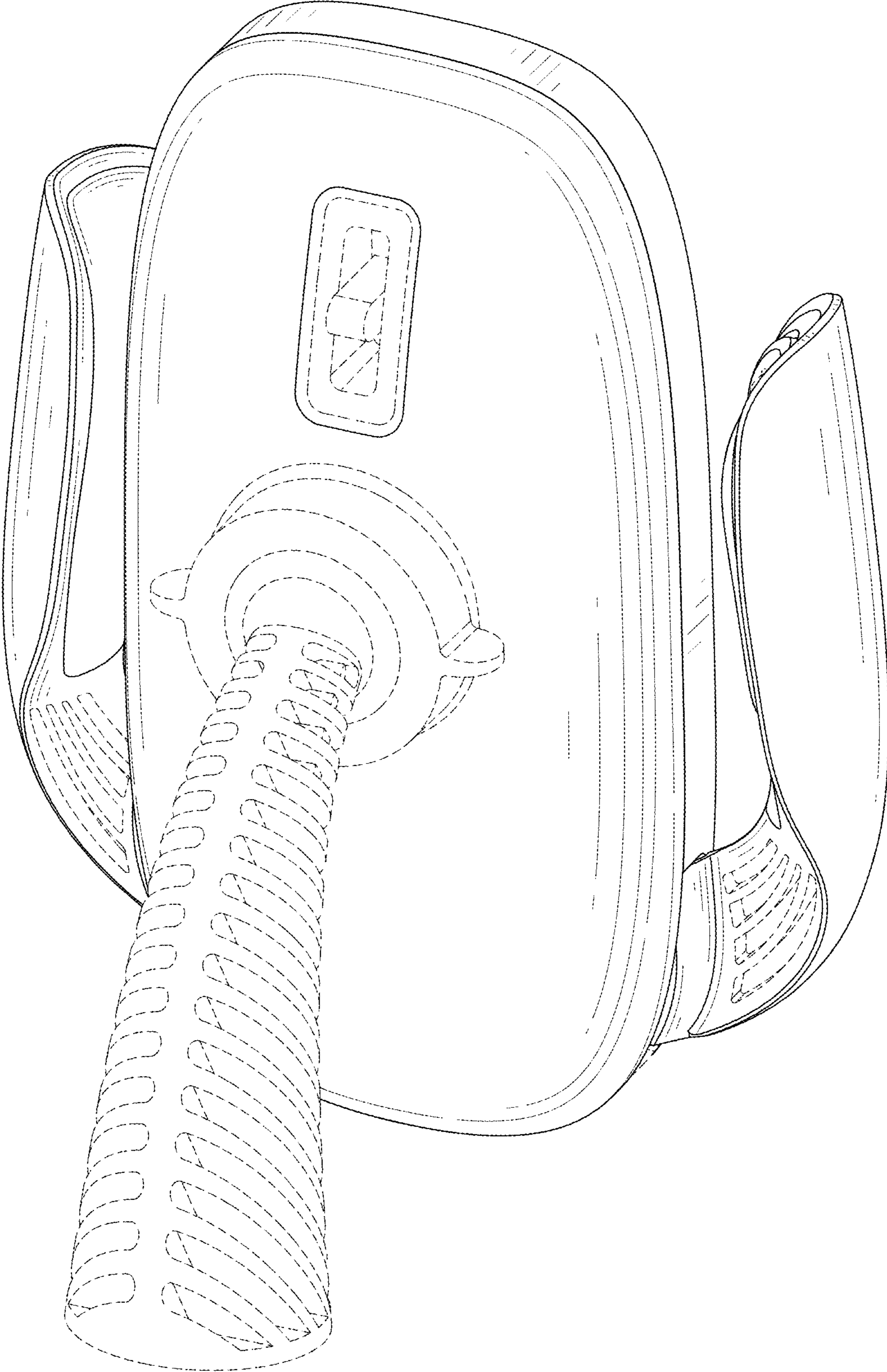


FIG. 2

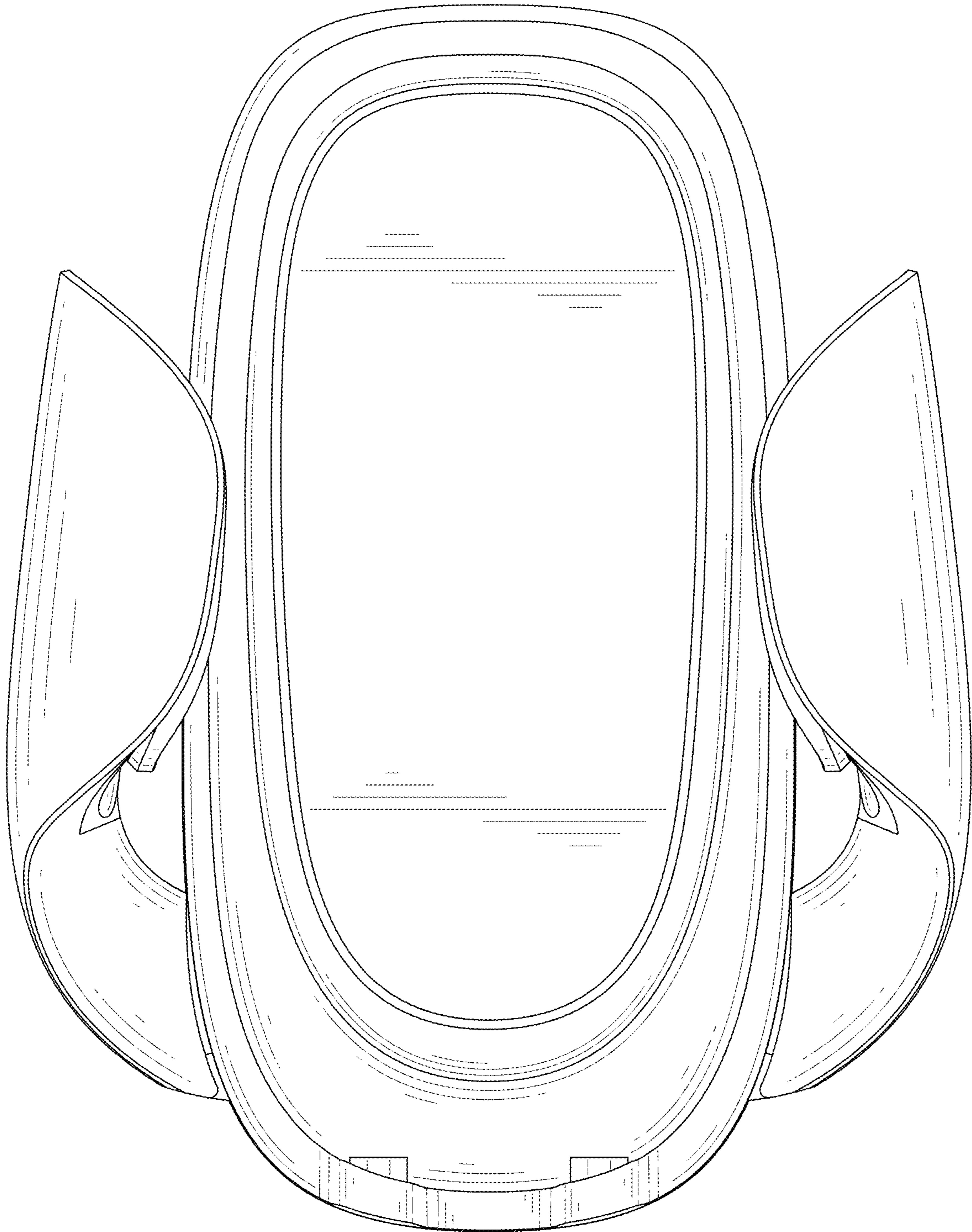


FIG. 3

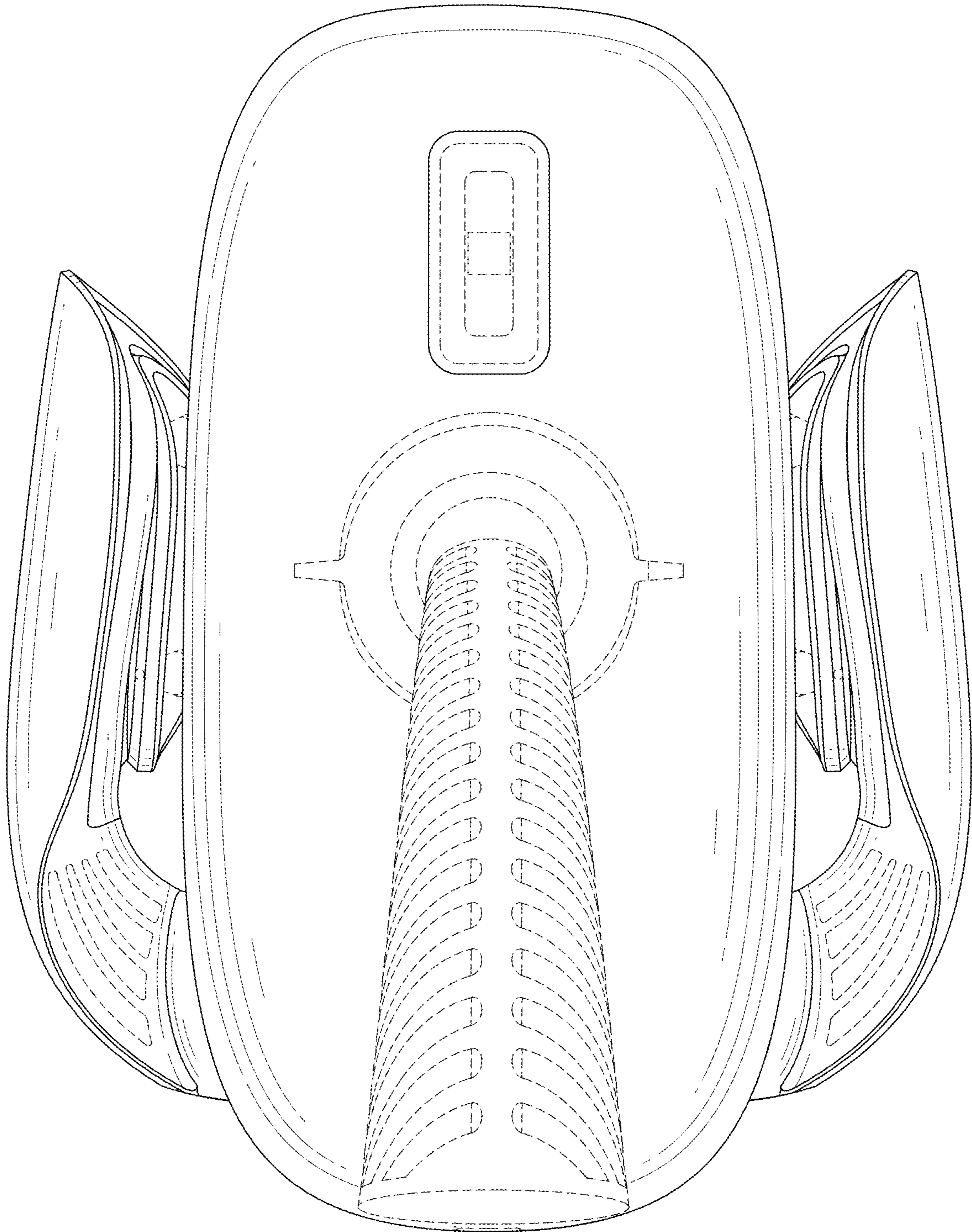


FIG. 4

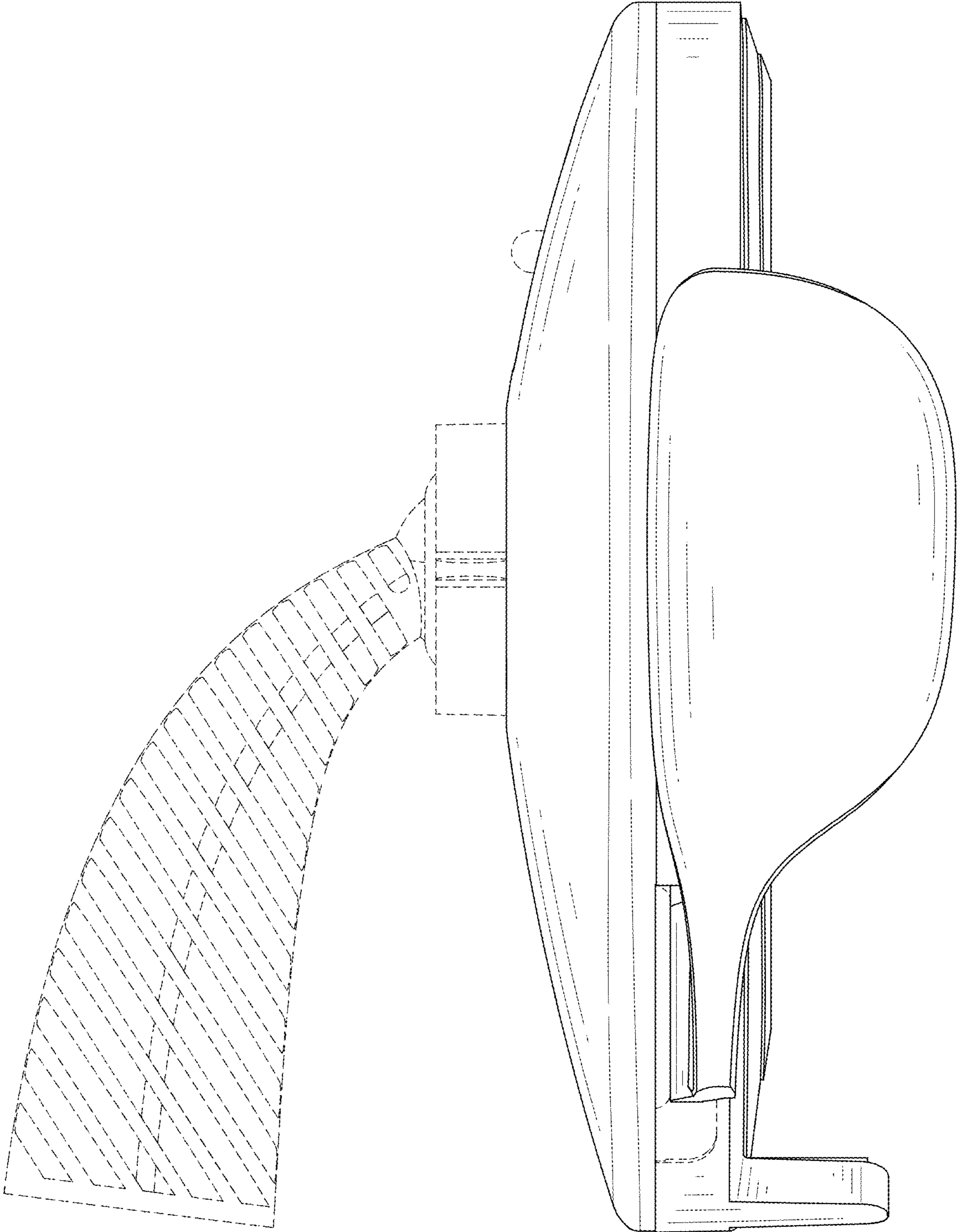


FIG. 5

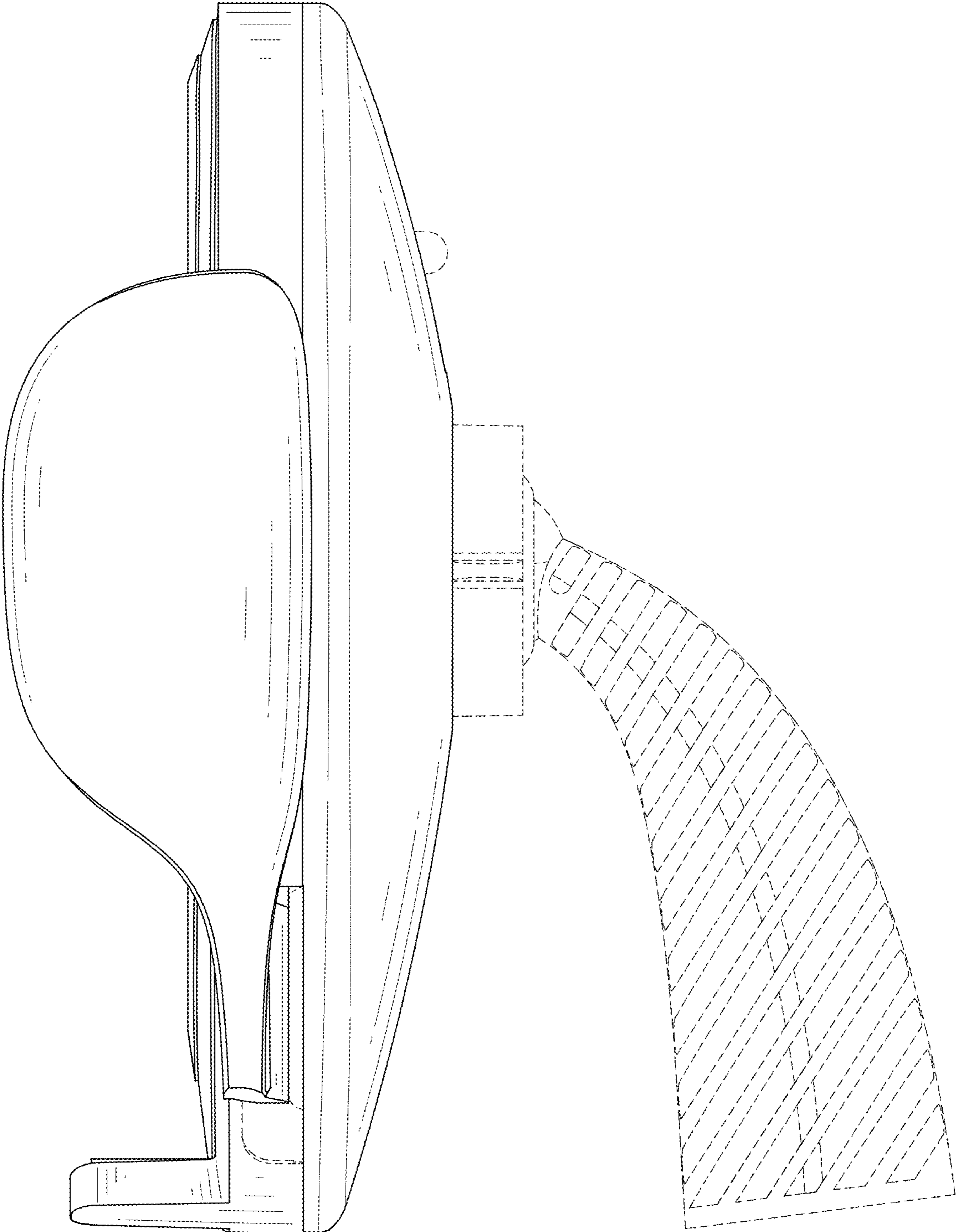


FIG. 6



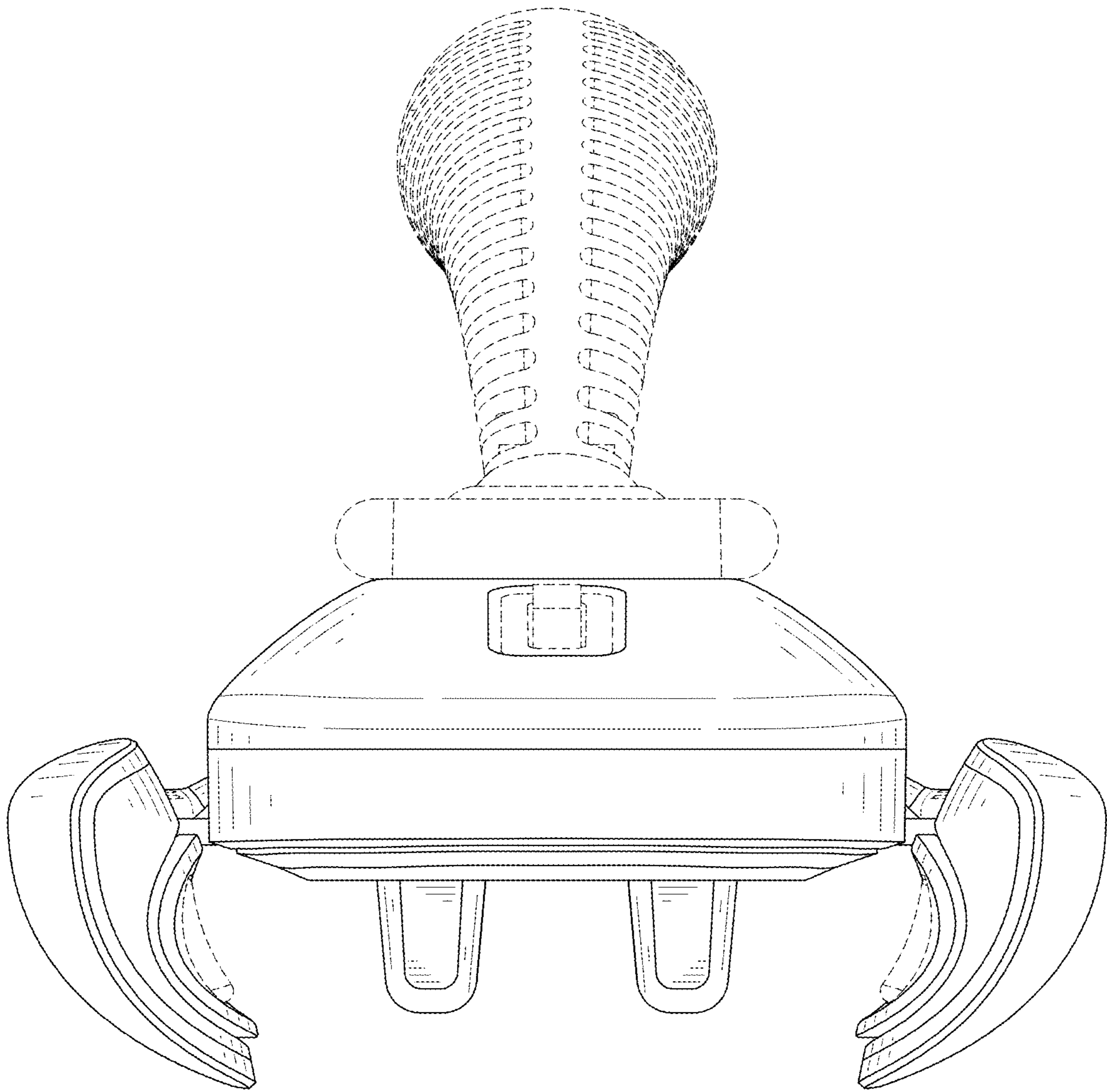


FIG. 7

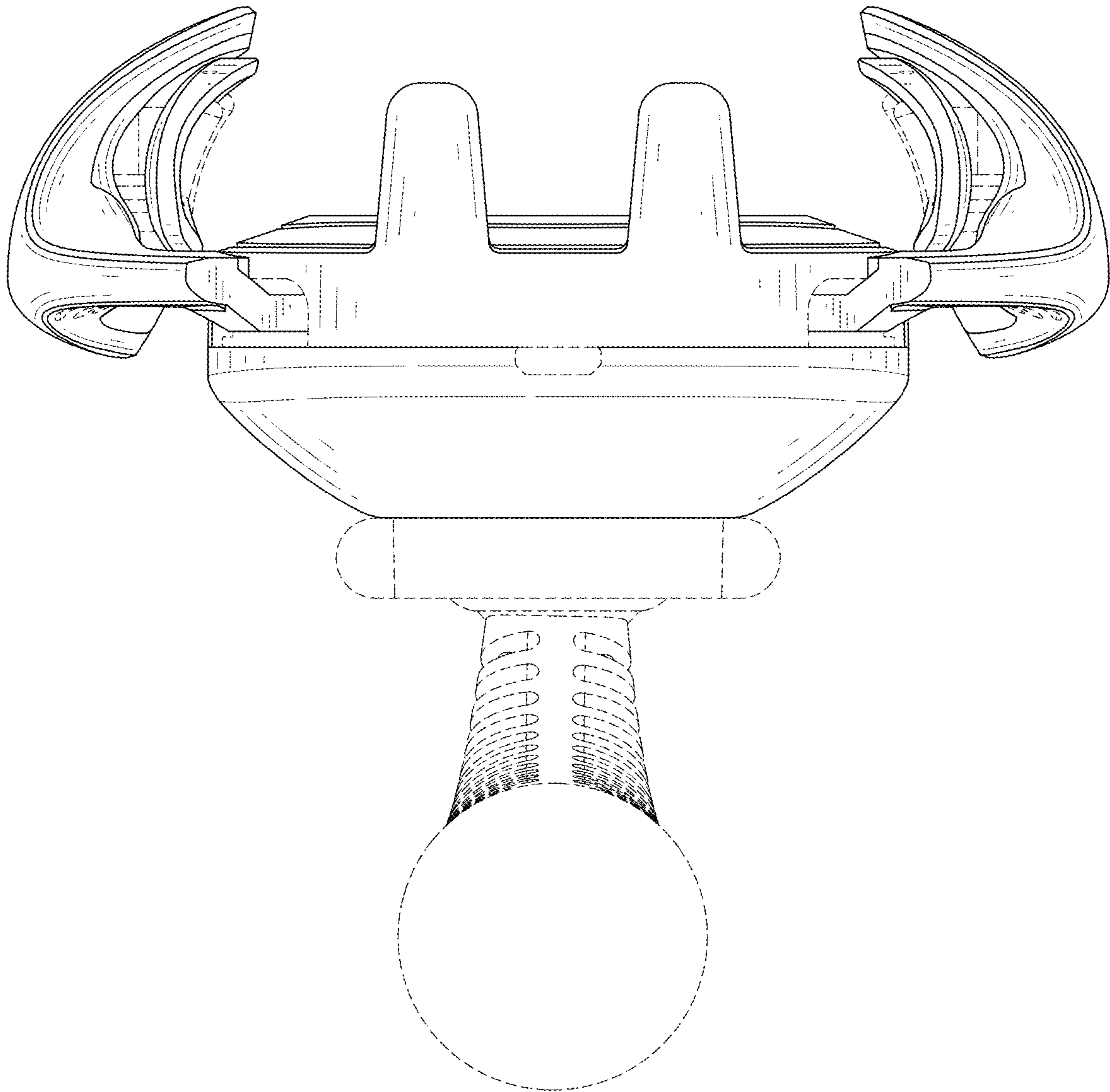


FIG. 8

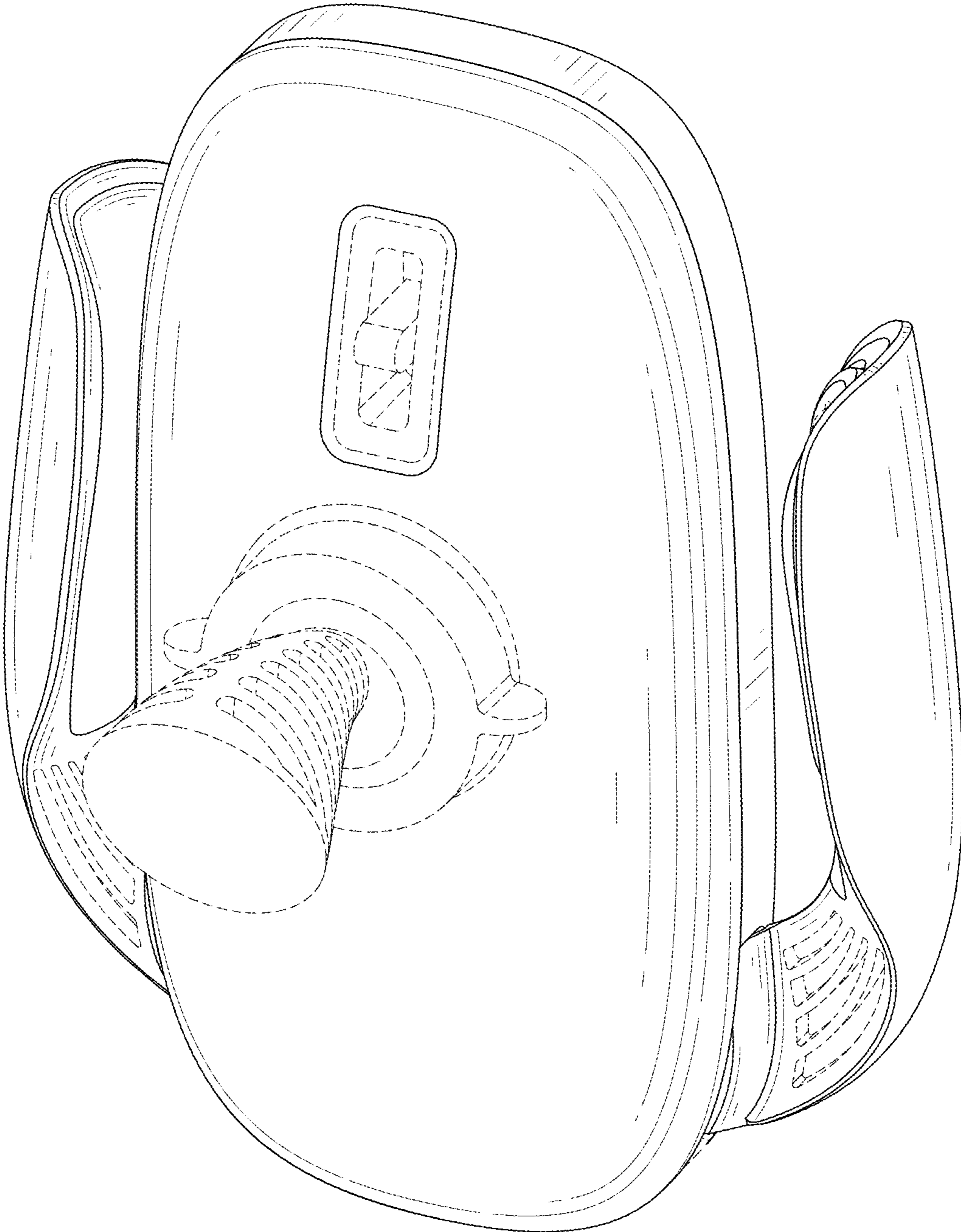


FIG. 9

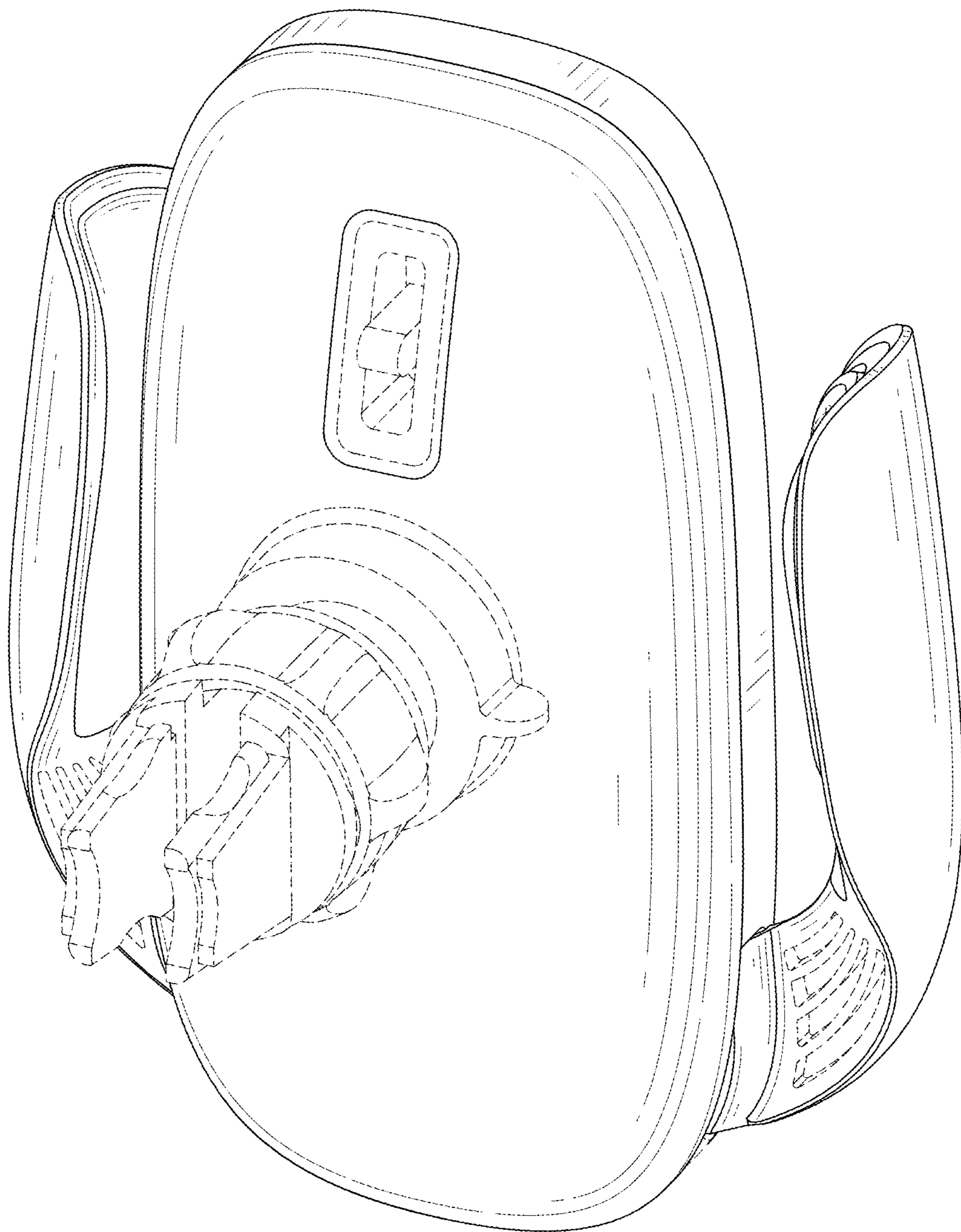


FIG. 10