



US00D892039S

(12) **United States Design Patent**  
**Chen**

(10) **Patent No.:** **US D892,039 S**

(45) **Date of Patent:** **\*\* Aug. 4, 2020**

(54) **BATTERY BOX**

(71) Applicant: **SHENZHEN IVPS TECHNOLOGY CO., LTD.**, Shenzhen, Guangdong Province (CN)

(72) Inventor: **Wen Chen**, Shenzhen (CN)

(73) Assignee: **Shenzhen IVPS Technology Co. Ltd.**, Shenzhen, Guangdong (CN)

(\*\*) Term: **15 Years**

(21) Appl. No.: **29/647,932**

(22) Filed: **May 16, 2018**

(30) **Foreign Application Priority Data**

Dec. 18, 2017 (CN) ..... 2017 3 0649597

(51) **LOC (12) Cl.** ..... **13-02**

(52) **U.S. Cl.**  
USPC ..... **D13/103**

(58) **Field of Classification Search**

USPC ..... D13/103-110, 118, 119, 184, 199;  
D14/251, 253, 432, 434  
CPC ..... Y02E 60/10; Y02E 60/12; Y02E 60/122;  
Y02E 60/124; Y02E 60/50; H01M 2/02;  
H01M 2/022; H01M 2/0202; H01M  
2/0207; H01M 2/0212; H01M 2/1061;  
H01M 2/1022; H01M 2/1055; H01M  
2/1066; H01M 2/105; H01M 2/20; H01M  
2/202; H01M 2/204; H01M 2/206; H01M  
10/44; H01M 10/46; H01M 10/465;  
H01M 10/482; H01M 2200/30; H01M  
2250/30; H01M 2250/40; H02J 7/00;  
H02J 7/0003; H02J 7/0011; H02J 7/0013;  
H02J 7/0054; H02J 7/0055; H02J 7/0057;  
H02J 2007/0062

See application file for complete search history.

(56) **References Cited**

**U.S. PATENT DOCUMENTS**

D770,678 S \* 11/2016 Shin ..... D27/163  
D772,477 S \* 11/2016 Shin ..... D27/163

D775,070 S \* 12/2016 Lei ..... D13/107  
D775,414 S \* 12/2016 Ampolini ..... D13/108  
D776,051 S \* 1/2017 Wang ..... D13/103  
D800,377 S \* 10/2017 Liu ..... D27/101  
D805,028 S \* 12/2017 Liu ..... D13/103  
D819,880 S \* 6/2018 Qiu ..... D27/101  
D829,375 S \* 9/2018 Huang ..... D27/162  
D831,567 S \* 10/2018 Kim ..... D13/108  
D842,237 S \* 3/2019 Qiu ..... D13/103  
D842,238 S \* 3/2019 Qiu ..... D13/103  
D842,243 S \* 3/2019 Qiu ..... D13/108  
D854,236 S \* 7/2019 Qiu ..... D27/101  
D861,549 S \* 10/2019 Lai ..... D12/167  
D861,595 S \* 10/2019 He ..... D13/103  
D861,597 S \* 10/2019 Gan ..... D13/108

(Continued)

*Primary Examiner* — Rosemary K Tarcza

*Assistant Examiner* — Christy M Nemeth

(74) *Attorney, Agent, or Firm* — IP-PAL Patent US;  
Klaus Michael Schmid

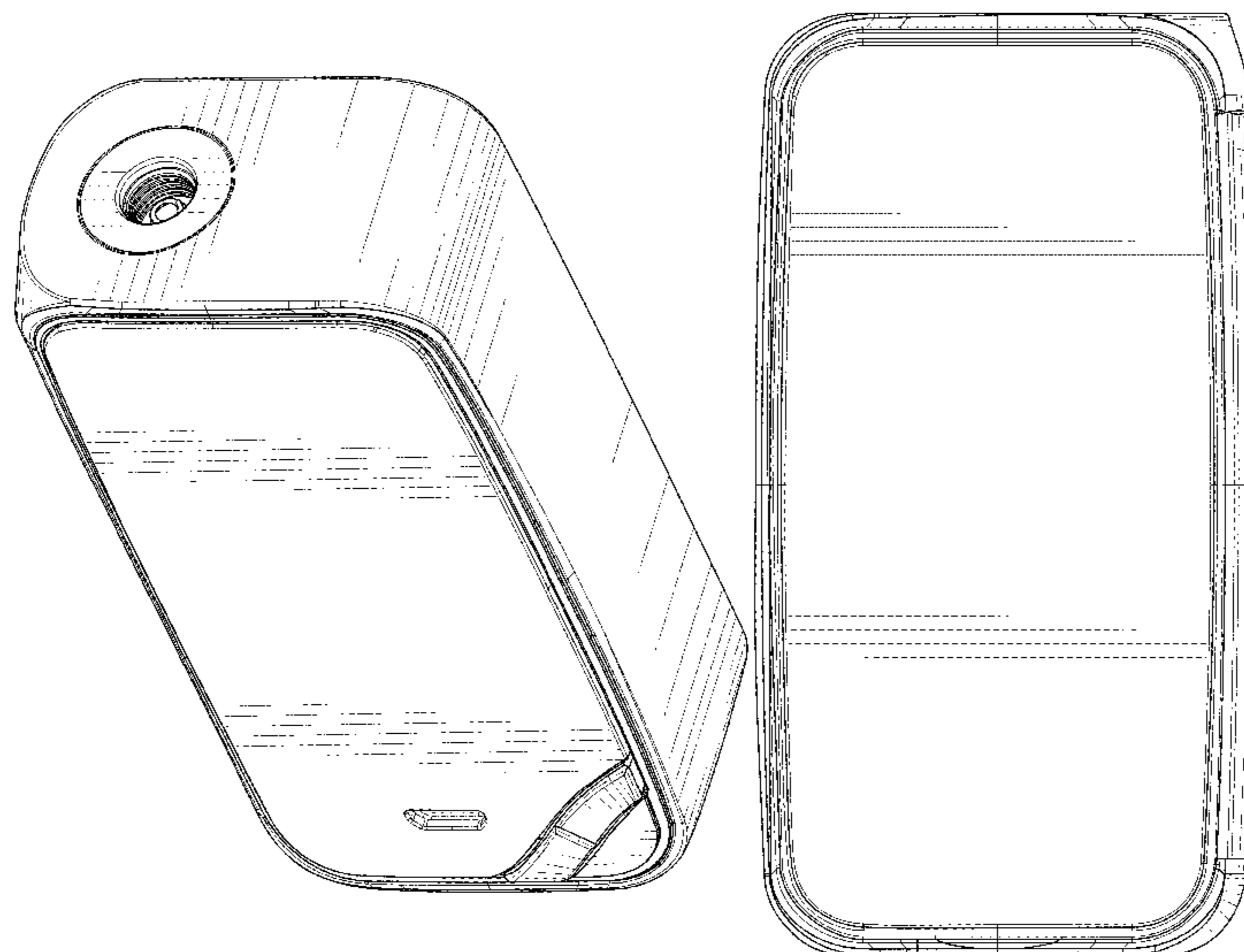
(57) **CLAIM**

The ornamental design for a battery box, as shown and described.

**DESCRIPTION**

FIG. 1 is a top perspective view of a battery box;  
FIG. 2 is a bottom perspective view thereof;  
FIG. 3 is a front view thereof;  
FIG. 4 is a rear view thereof;  
FIG. 5 is a top view thereof;  
FIG. 6 is a bottom view thereof;  
FIG. 7 is a left side view thereof; and,  
FIG. 8 is a right side view thereof.  
The broken lines in the drawings are for the purpose of illustrating portions of the battery box that form no part of the claimed design.

**1 Claim, 8 Drawing Sheets**



(56)

**References Cited**

U.S. PATENT DOCUMENTS

D863,672 S \* 10/2019 Liu ..... D27/162  
D869,086 S \* 12/2019 Pan ..... D27/162  
2019/0133184 A1\* 5/2019 Chen ..... A24F 47/008  
2019/0133185 A1\* 5/2019 Chen ..... A24F 47/008

\* cited by examiner

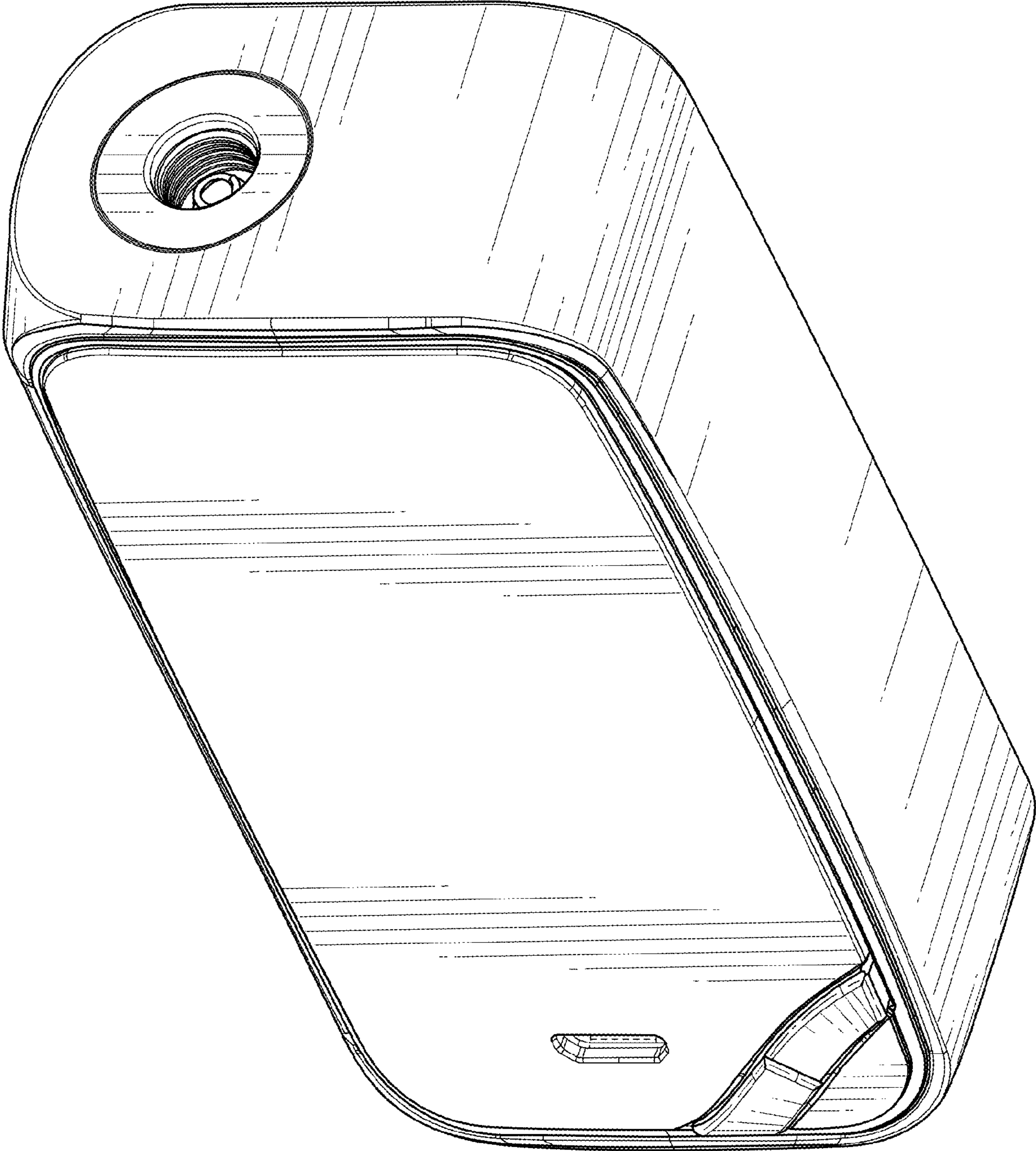


FIG. 1

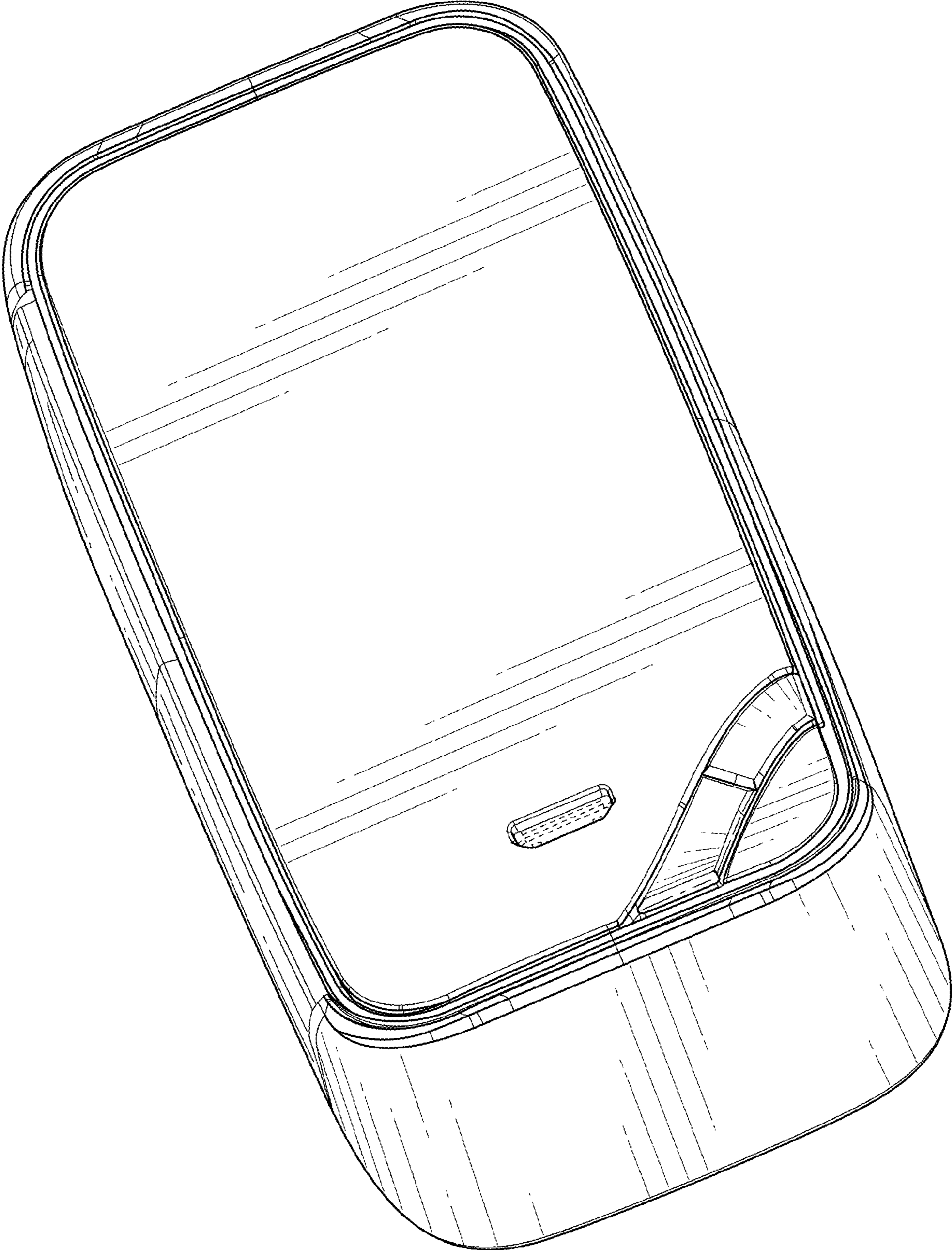


FIG. 2

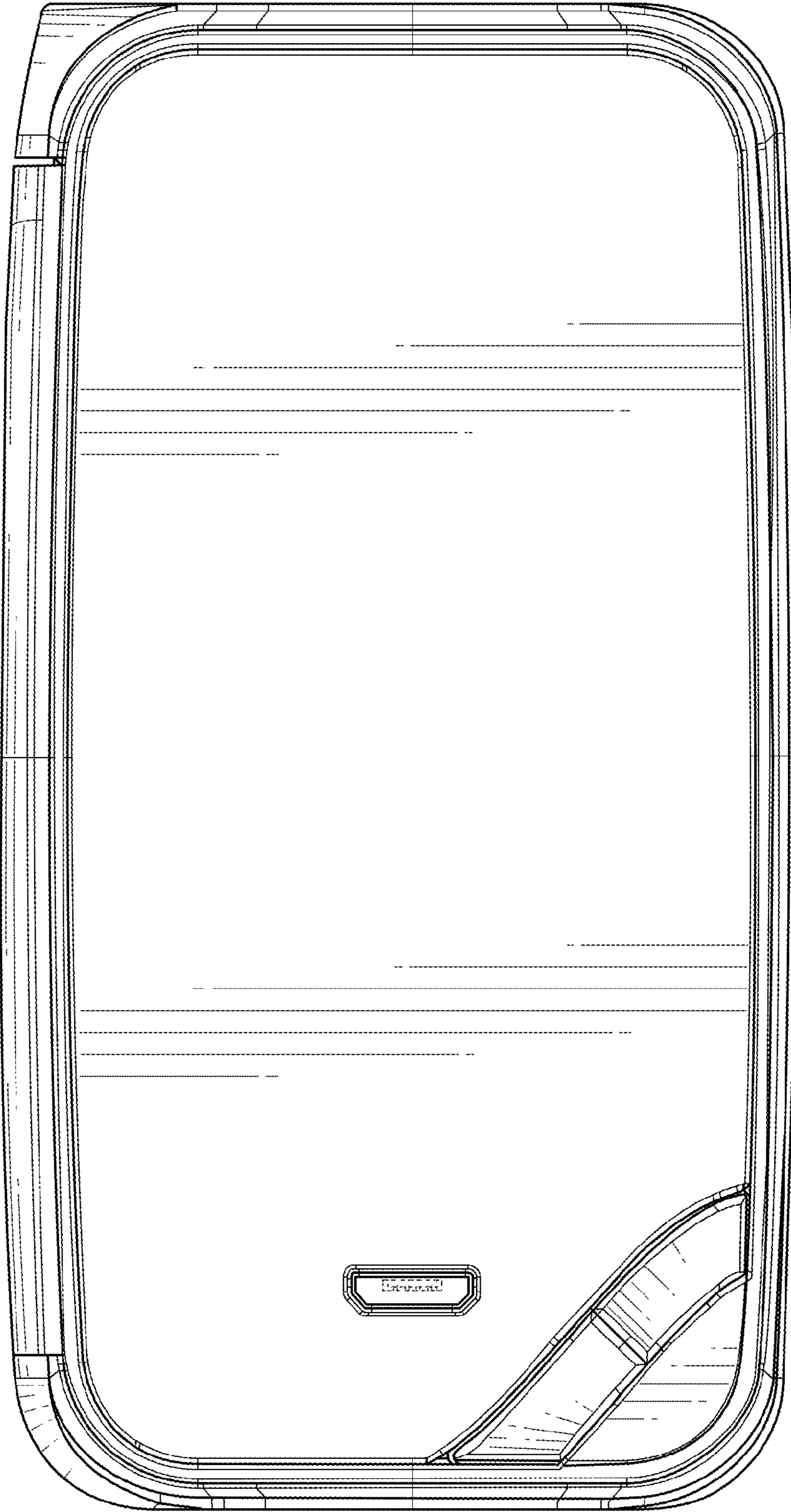


FIG. 3

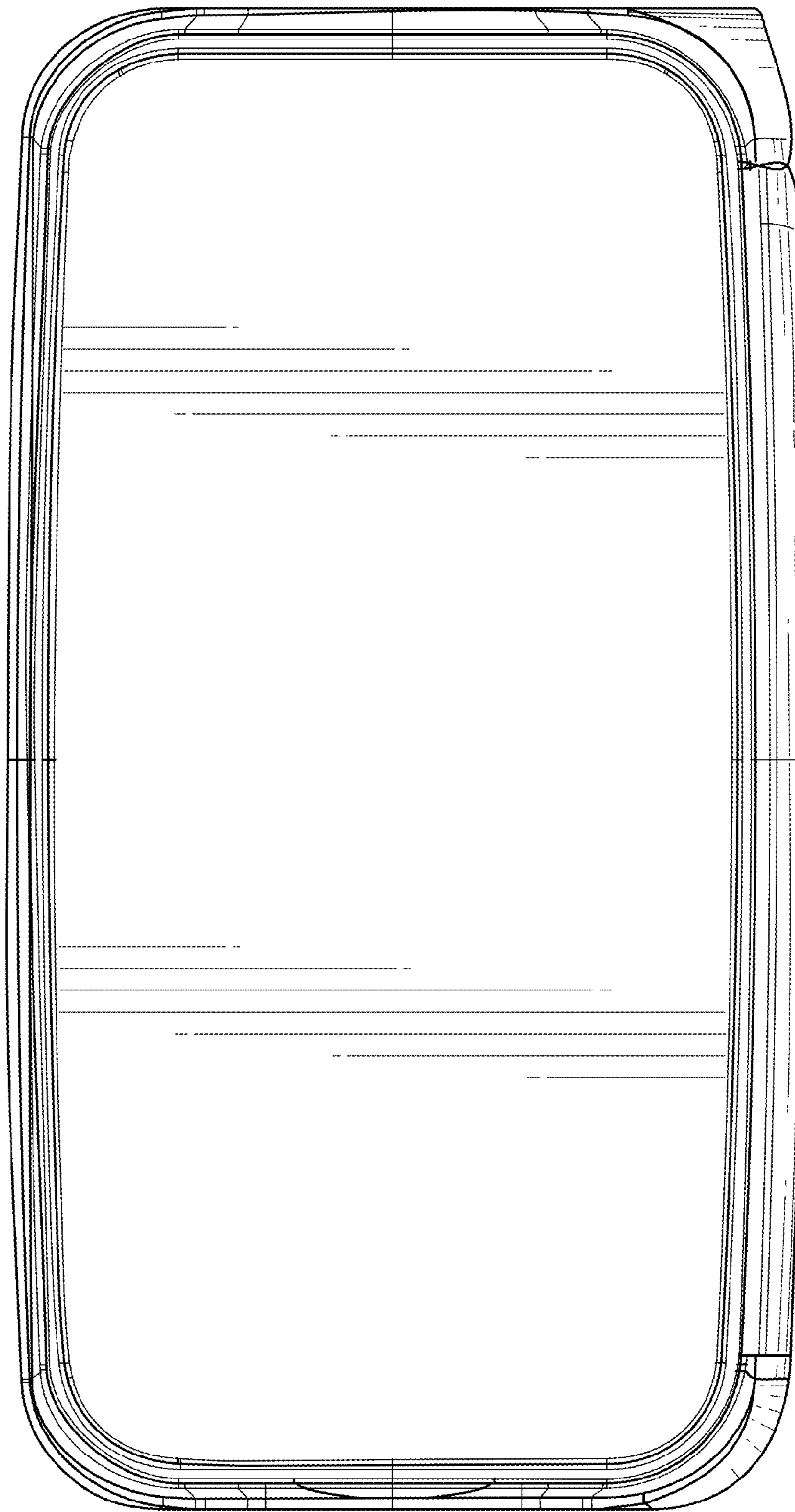


FIG. 4

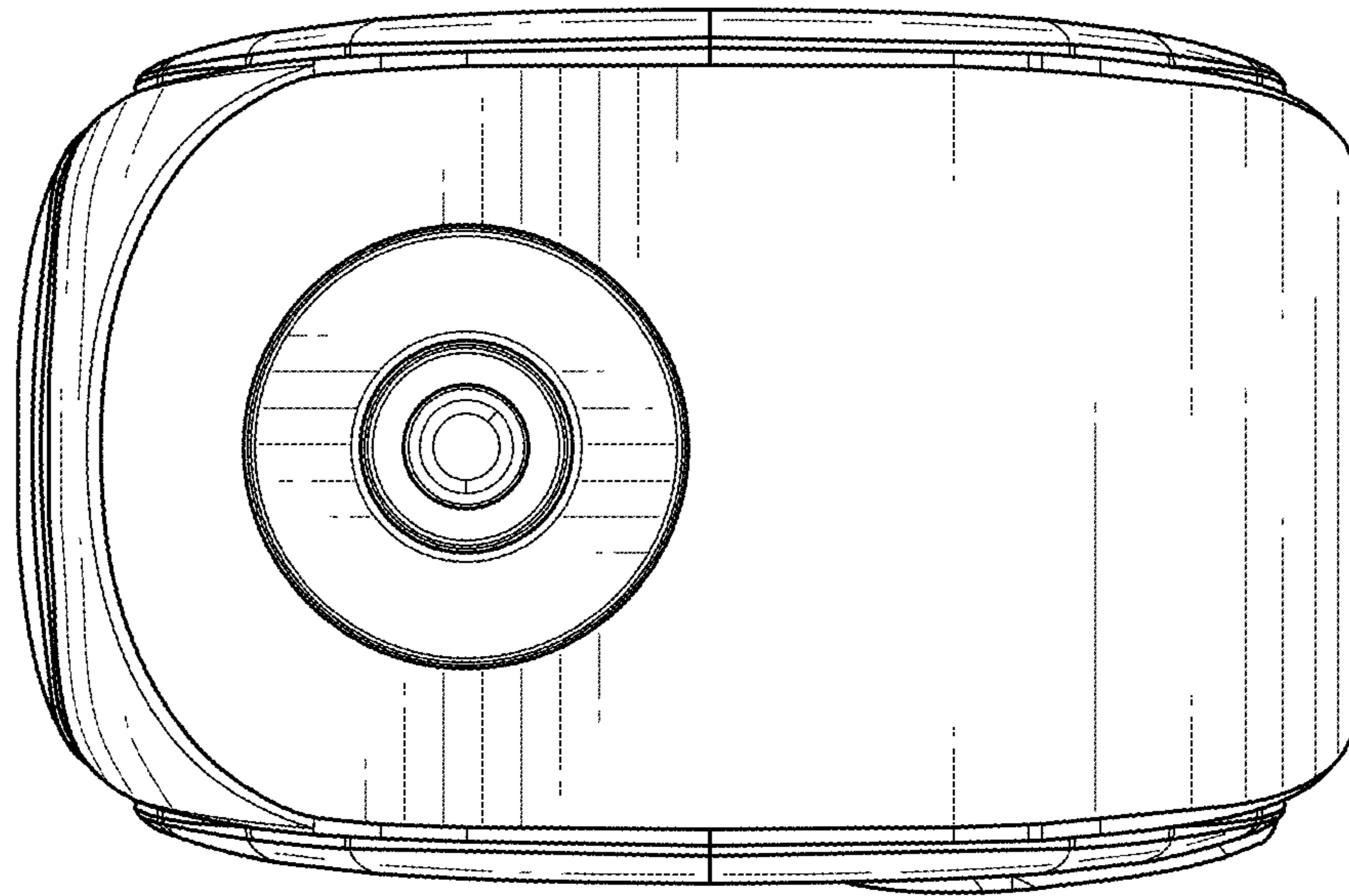


FIG. 5

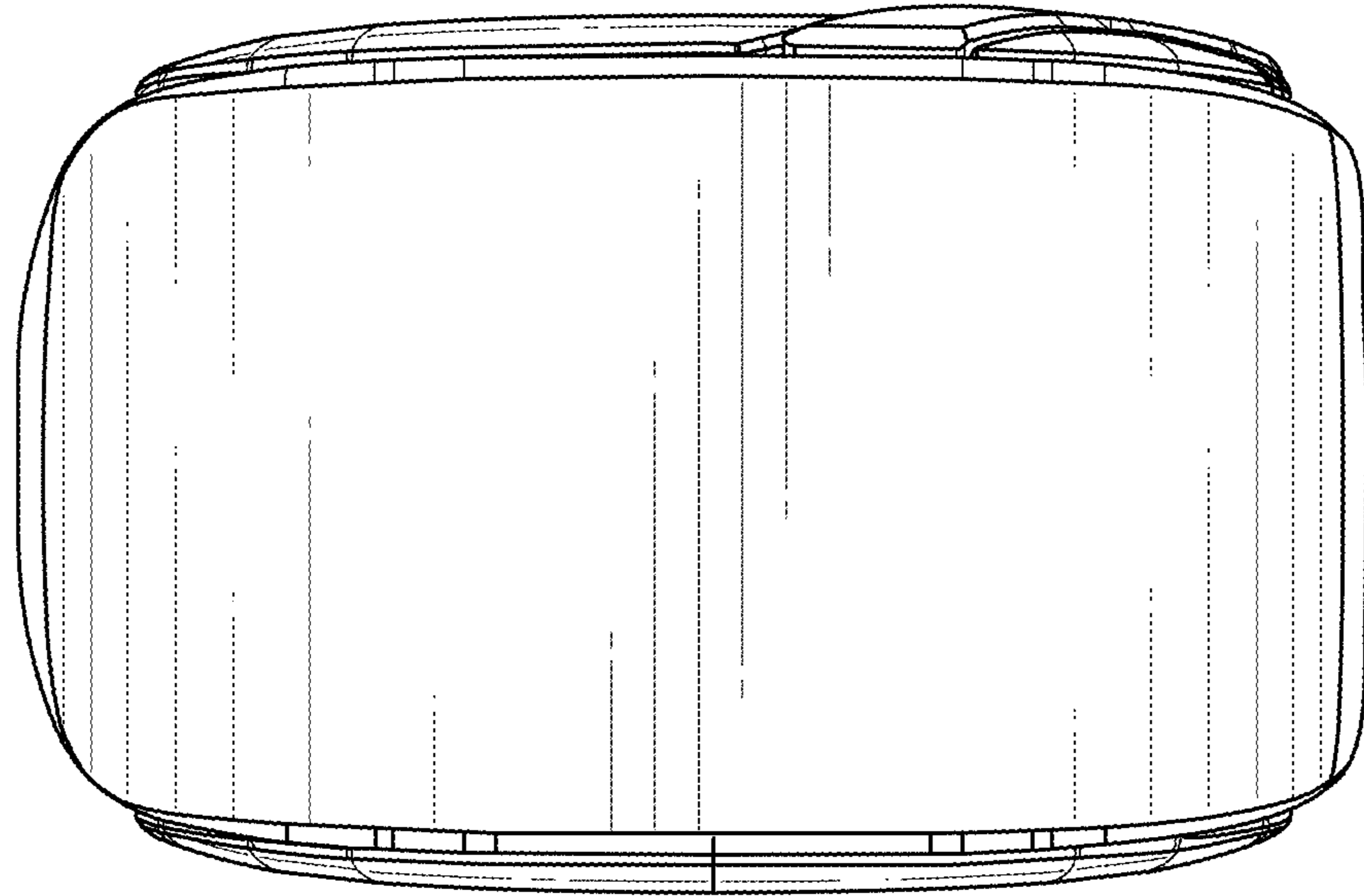


FIG. 6



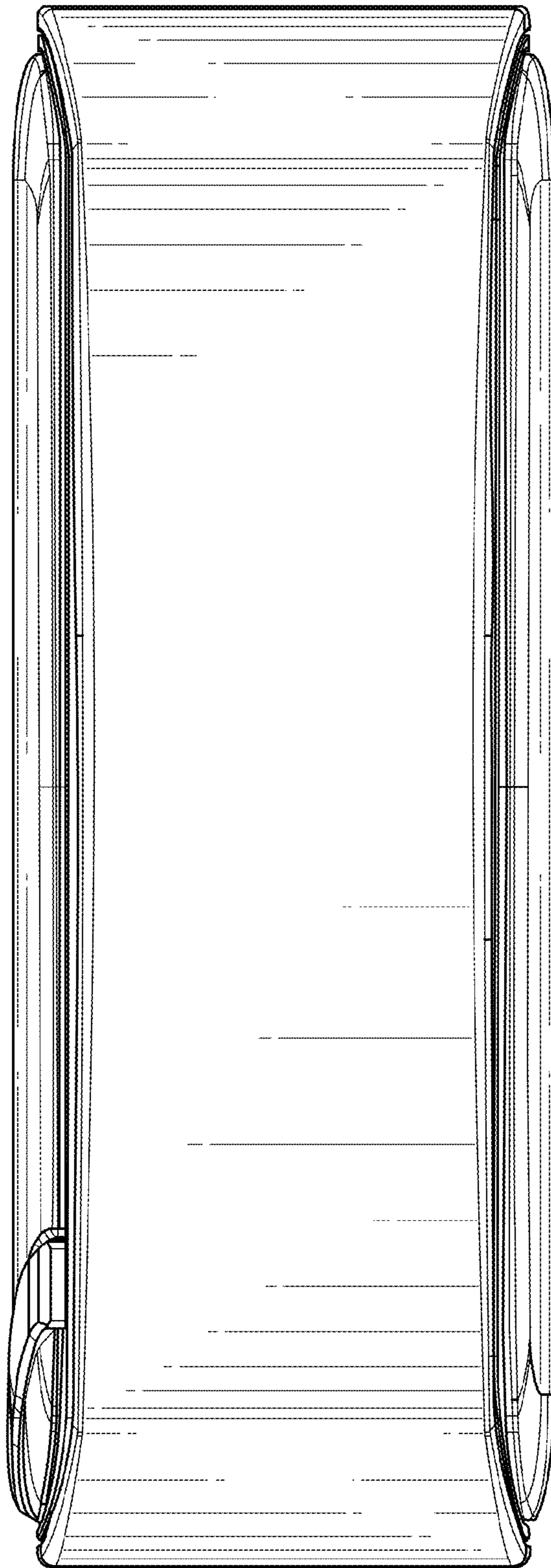


FIG. 7

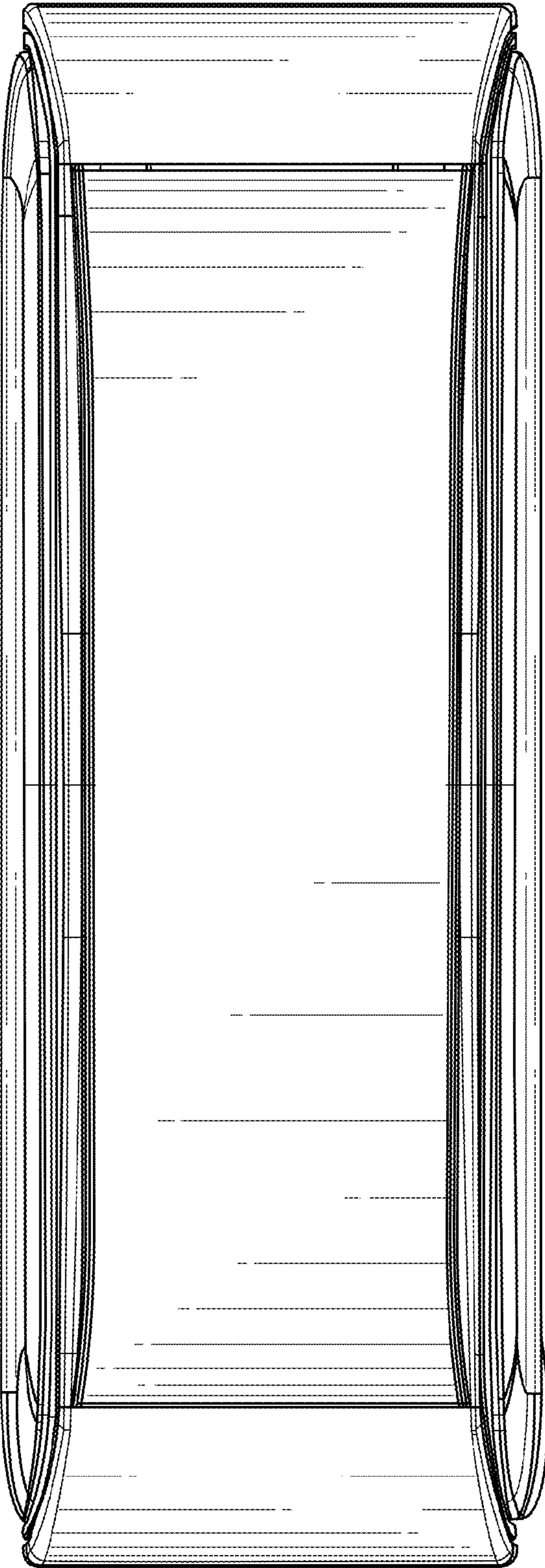


FIG. 8