



US00D892038S

(12) **United States Design Patent**
Chen

(10) **Patent No.:** **US D892,038 S**

(45) **Date of Patent:** **** Aug. 4, 2020**

(54) **BATTERY BOX**

(71) Applicant: **SHENZHEN IVPS TECHNOLOGY CO., LTD.**, Shenzhen, Guangdong Province (CN)

(72) Inventor: **Wen Chen**, Shenzhen (CN)

(73) Assignee: **Shenzhen IVPS Technology Co. Ltd.**, Shenzhen, Guangdong (CN)

(**) Term: **15 Years**

(21) Appl. No.: **29/647,408**

(22) Filed: **May 11, 2018**

(51) **LOC (12) Cl.** **13-02**

(52) **U.S. Cl.**
USPC **D13/103**

(58) **Field of Classification Search**

USPC D13/103–110, 118, 119, 184, 199;
D14/251, 253, 432, 434
CPC Y02E 60/10; Y02E 60/12; Y02E 60/122;
Y02E 60/124; Y02E 60/50; H01M 2/02;
H01M 2/022; H01M 2/0202; H01M
2/0207; H01M 2/0212; H01M 2/1061;
H01M 2/1022; H01M 2/1055; H01M
2/1066; H01M 2/105; H01M 2/20; H01M
2/202; H01M 2/204; H01M 2/206; H01M
10/44; H01M 10/46; H01M 10/465;
H01M 10/482; H01M 2200/30; H01M
2250/30; H01M 2250/40; H02J 7/00;
H02J 7/0003; H02J 7/0011; H02J 7/0013;
H02J 7/0054; H02J 7/0055; H02J 7/0057;
H02J 2007/0062

See application file for complete search history.

(56) **References Cited**

U.S. PATENT DOCUMENTS

D770,678 S * 11/2016 Shin D27/163
D772,477 S * 11/2016 Shin D27/163

D775,070 S * 12/2016 Lei D13/107
D775,414 S * 12/2016 Ampolini D13/108
D776,051 S * 1/2017 Wang D13/103
D800,377 S * 10/2017 Liu D27/101
D805,028 S * 12/2017 Liu D13/103
D819,880 S * 6/2018 Qiu D27/101
D829,375 S * 9/2018 Huang D27/162
D831,567 S * 10/2018 Kim D13/108
D842,237 S * 3/2019 Qiu D13/103
D842,238 S * 3/2019 Qiu D13/103
D842,243 S * 3/2019 Qiu D13/108
D854,236 S * 7/2019 Qiu D27/101
D861,549 S * 10/2019 Lai D12/167
D861,595 S * 10/2019 He D13/103
D861,597 S * 10/2019 Gan D13/108
D863,672 S * 10/2019 Liu D27/162
D869,086 S * 12/2019 Pan D27/162
2019/0133184 A1 * 5/2019 Chen A24F 47/008
2019/0133185 A1 * 5/2019 Chen A24F 47/008

* cited by examiner

Primary Examiner — Rosemary K Tarcza

Assistant Examiner — Christy M Nemeth

(74) *Attorney, Agent, or Firm* — IP-PAL Patent US;
Klaus Michael Schmid

(57) **CLAIM**

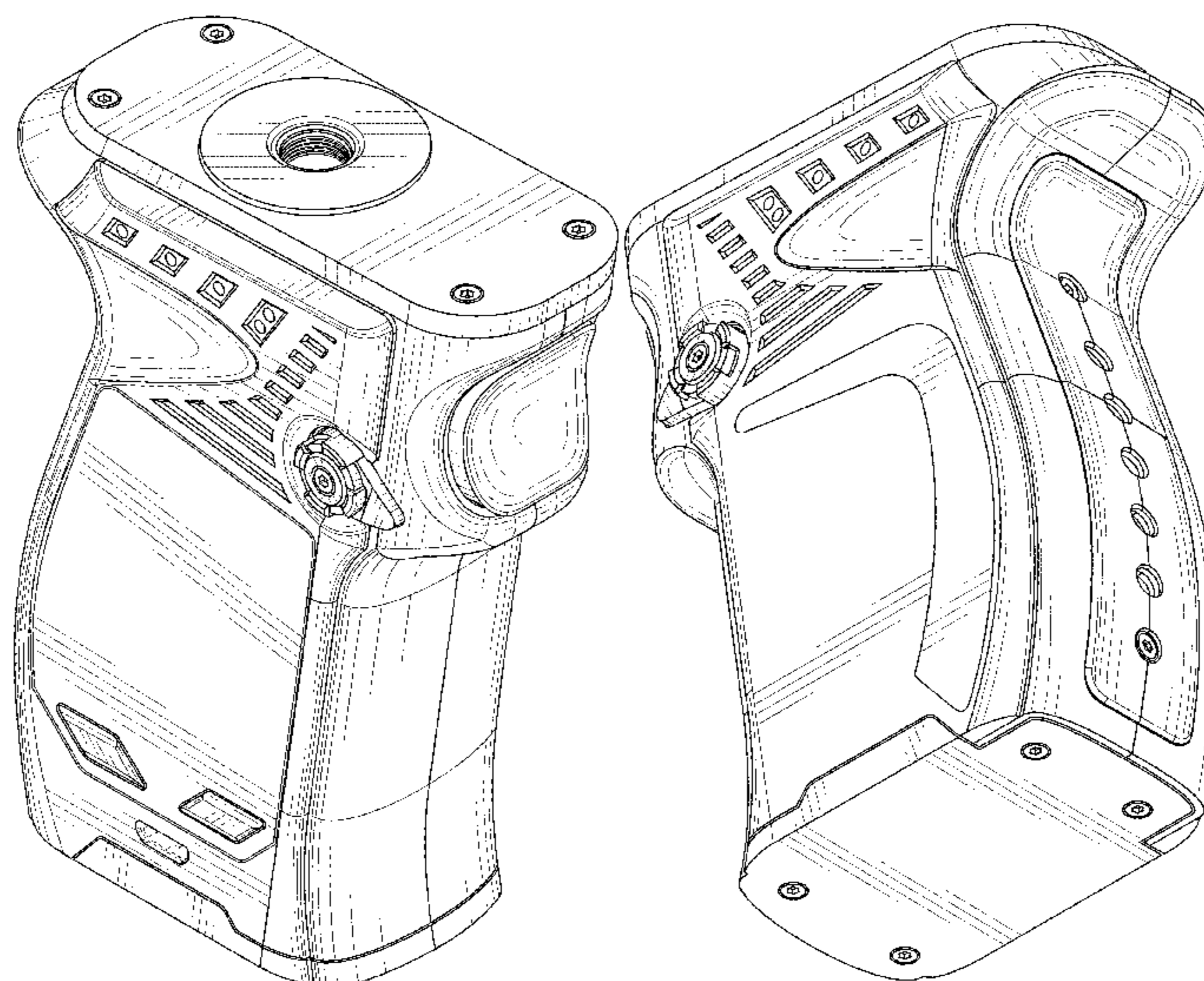
The ornamental design for a battery box, as shown and described.

DESCRIPTION

FIG. 1 is a front perspective view of a battery box;
FIG. 2 is a rear perspective view thereof;
FIG. 3 is a left side view thereof;
FIG. 4 is a right side view thereof;
FIG. 5 is a top view thereof;
FIG. 6 is a bottom view thereof;
FIG. 7 is a front view thereof; and,
FIG. 8 is a rear view thereof.

The broken lines in the drawings are for the purpose of illustrating portions of the battery box that form no part of the claimed design.

1 Claim, 8 Drawing Sheets



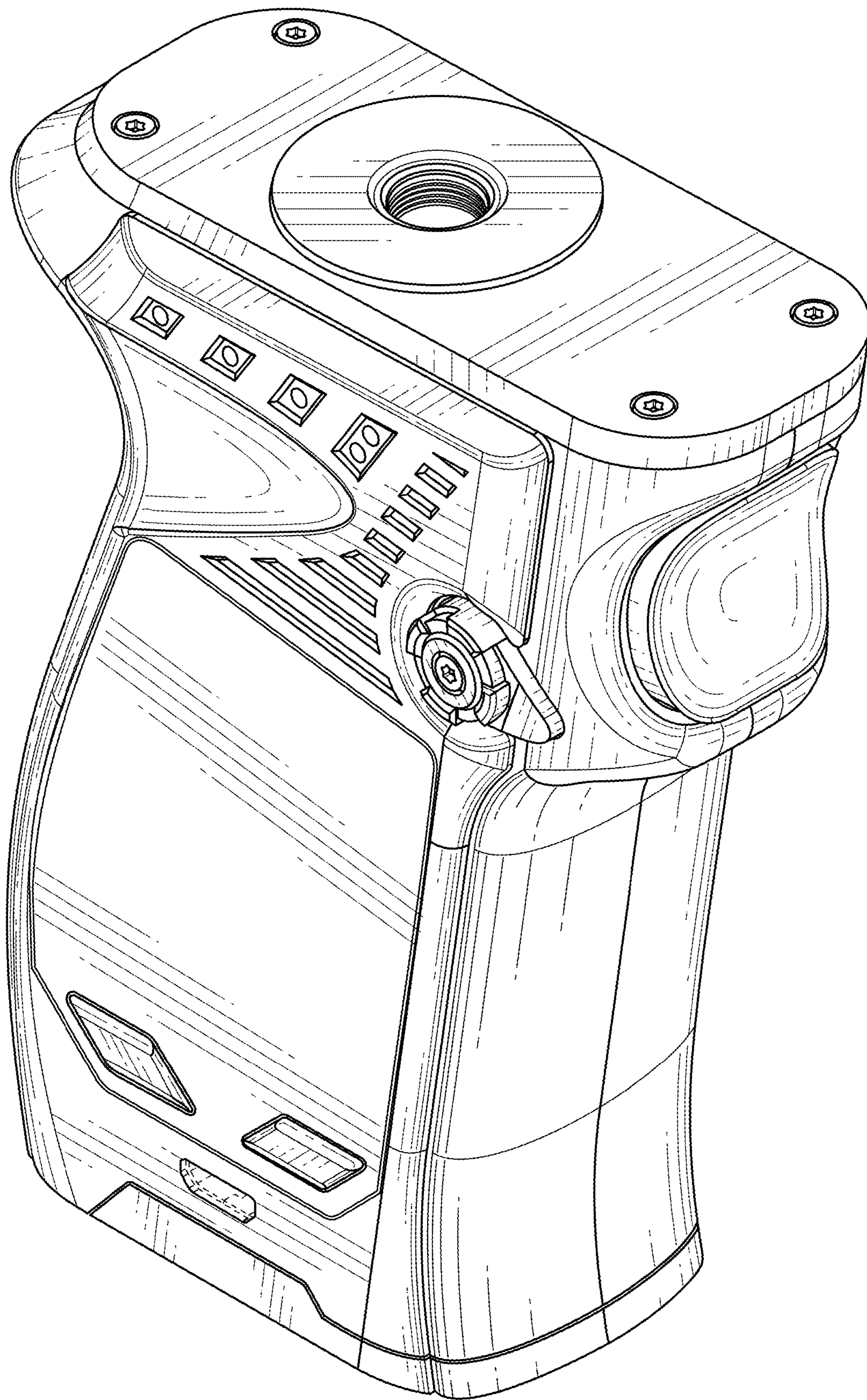


FIG. 1

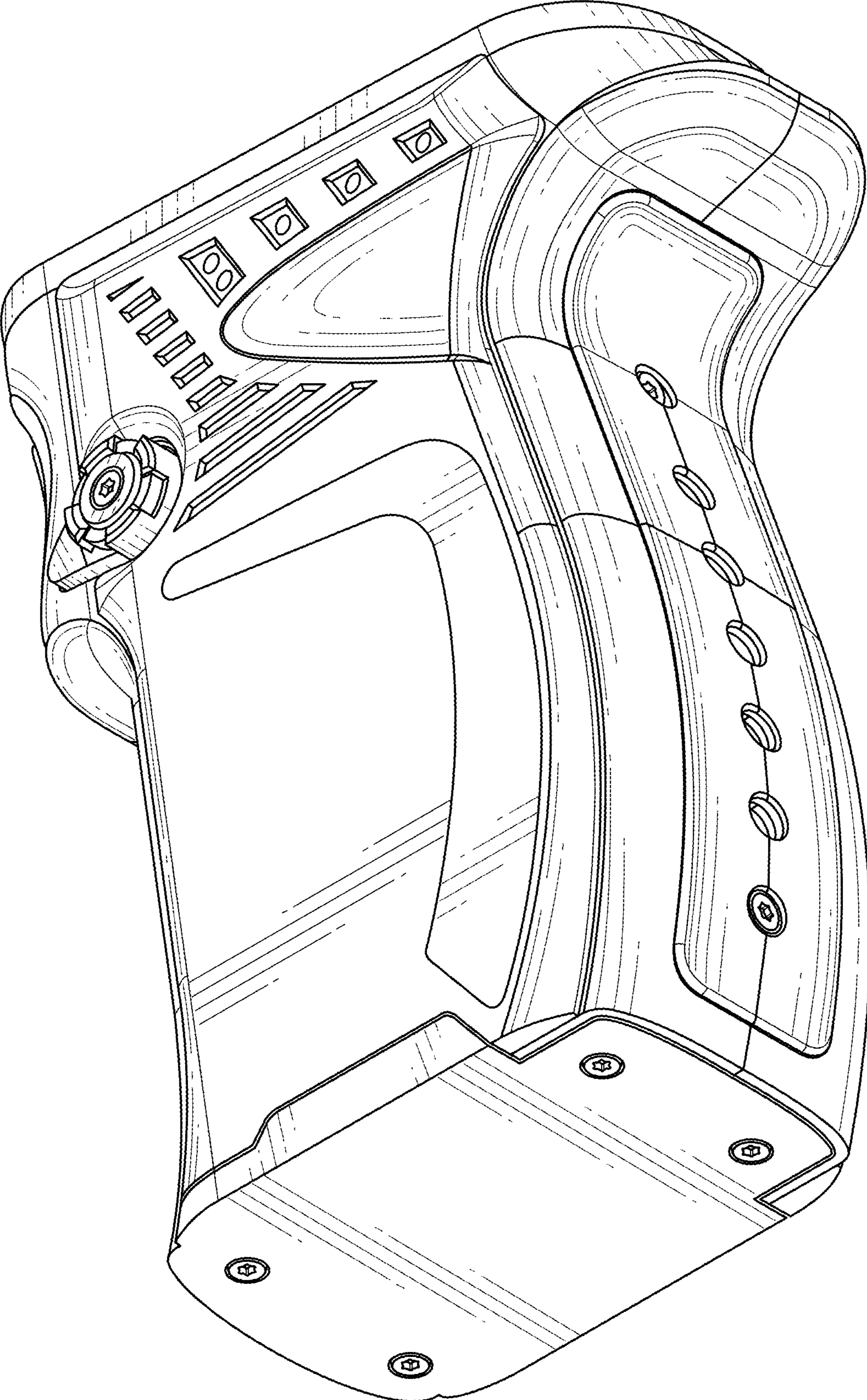


FIG. 2

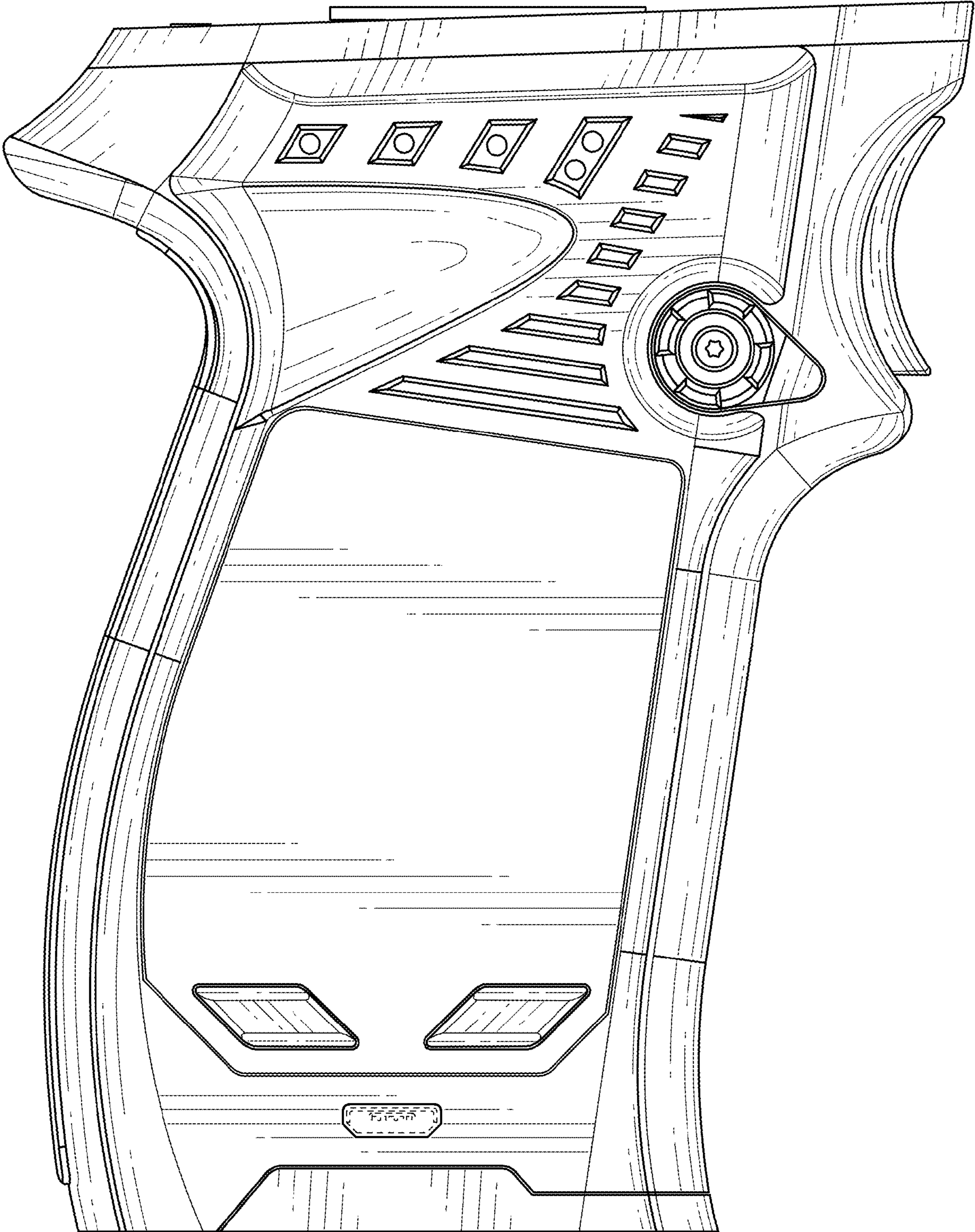


FIG. 3

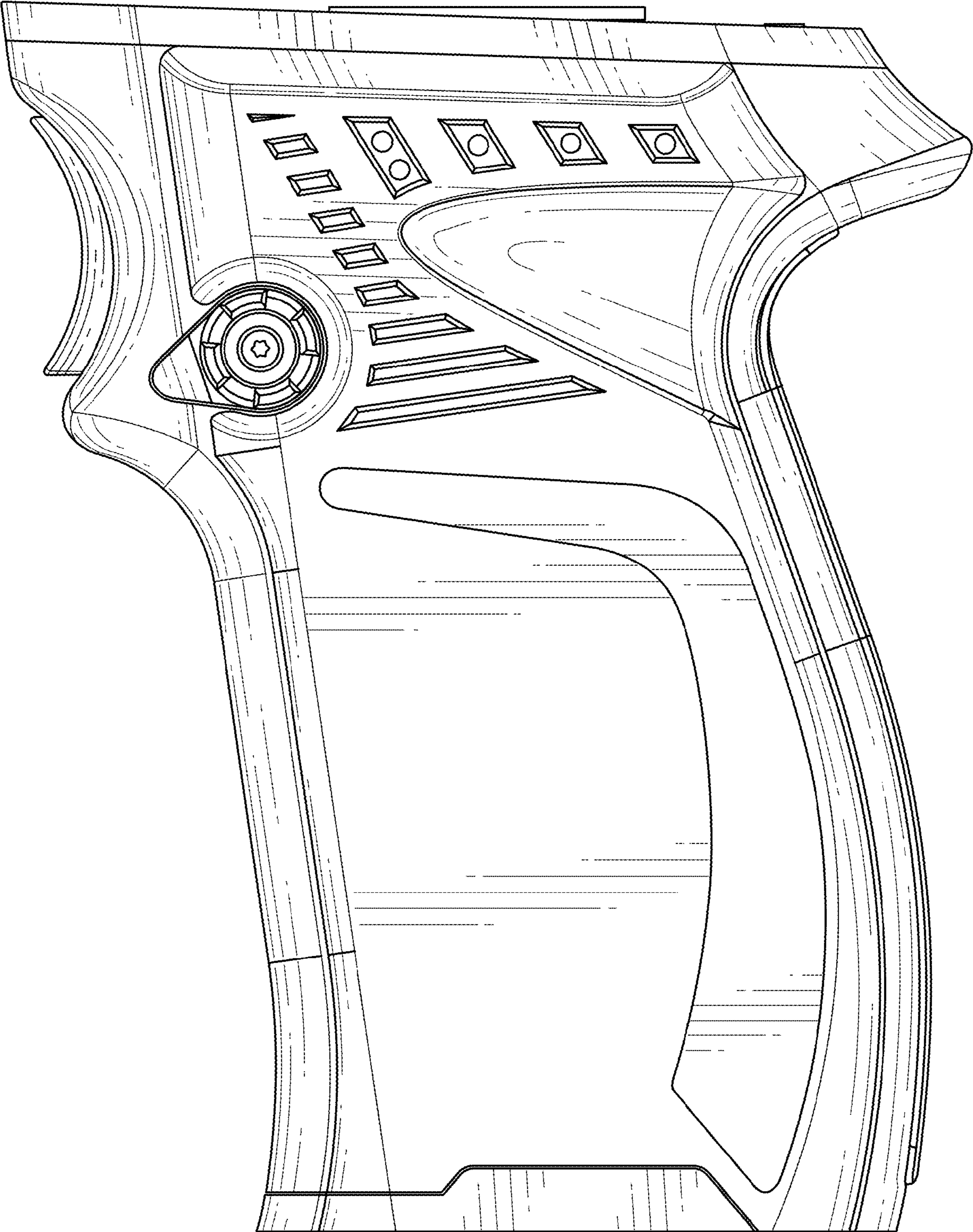


FIG. 4

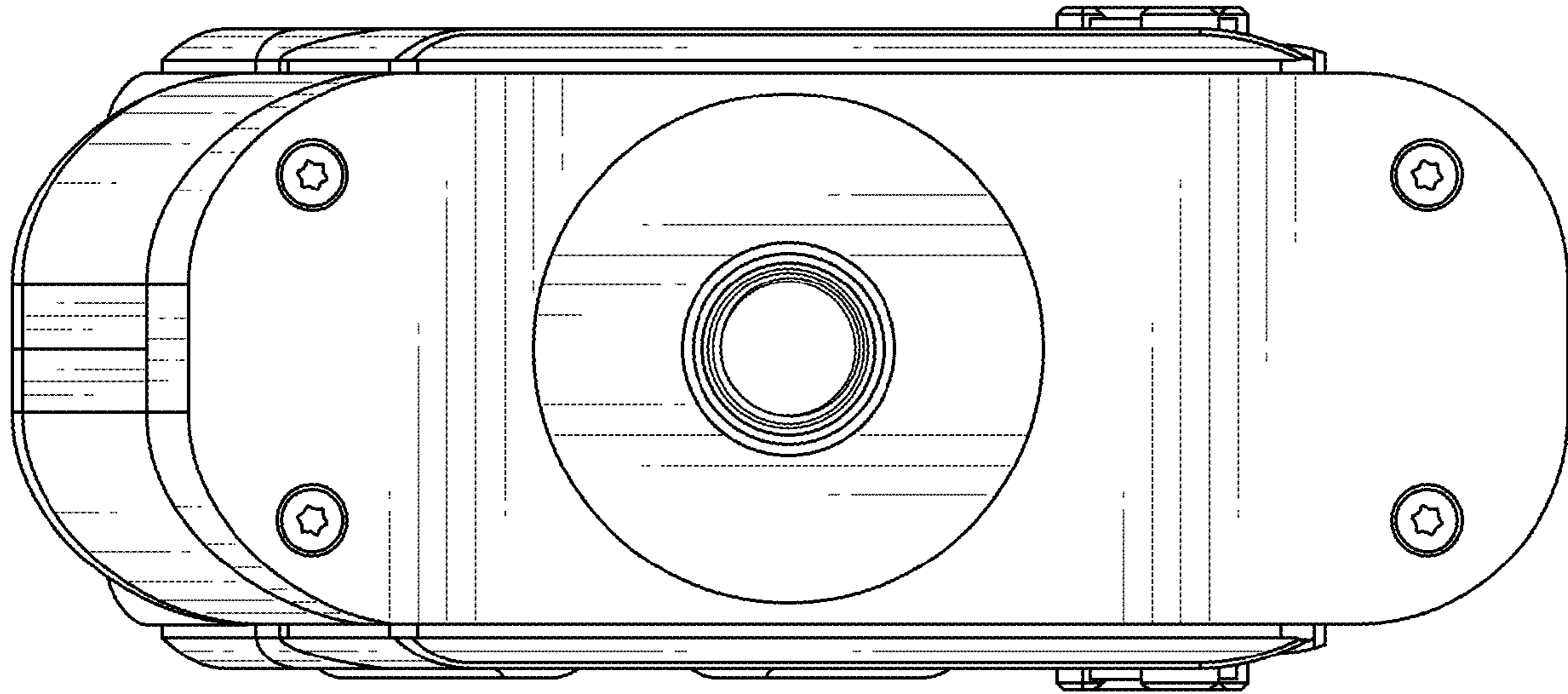


FIG. 5

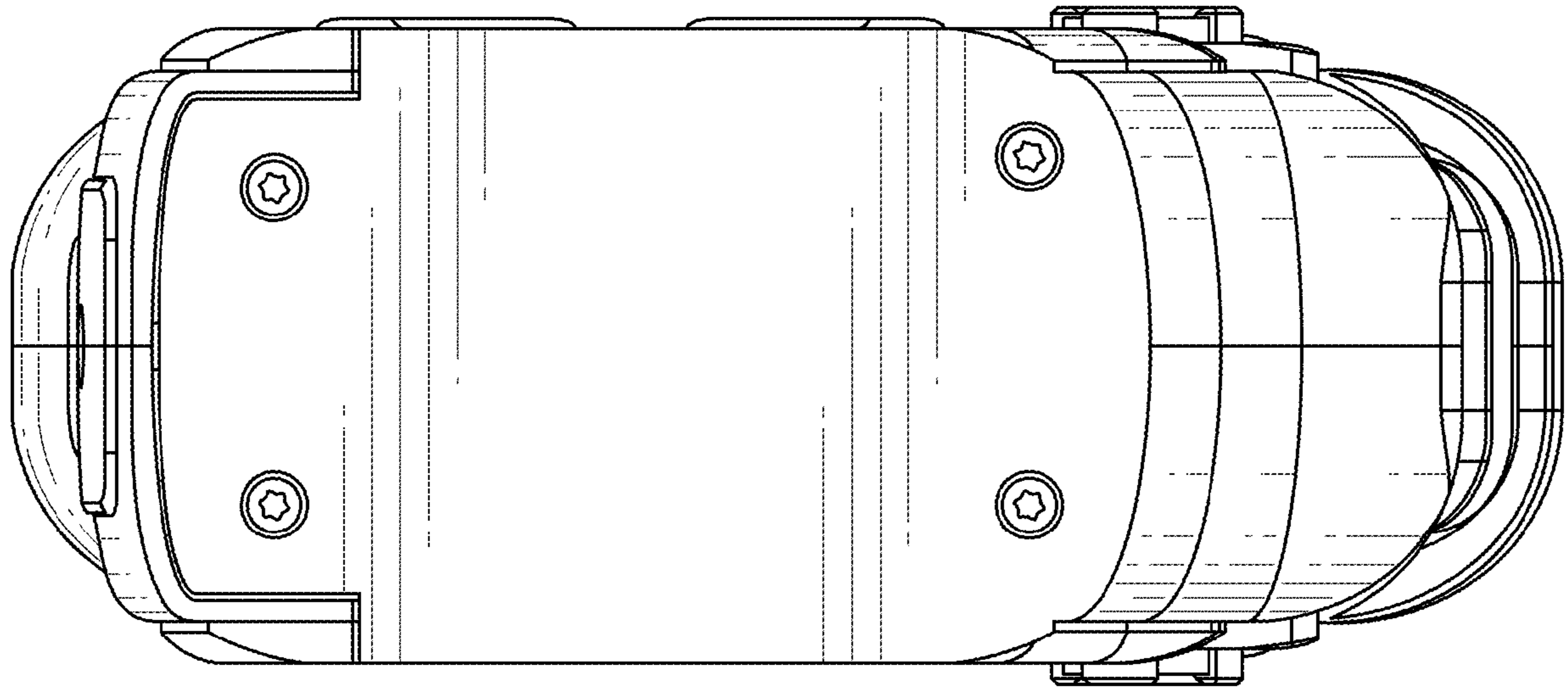


FIG. 6

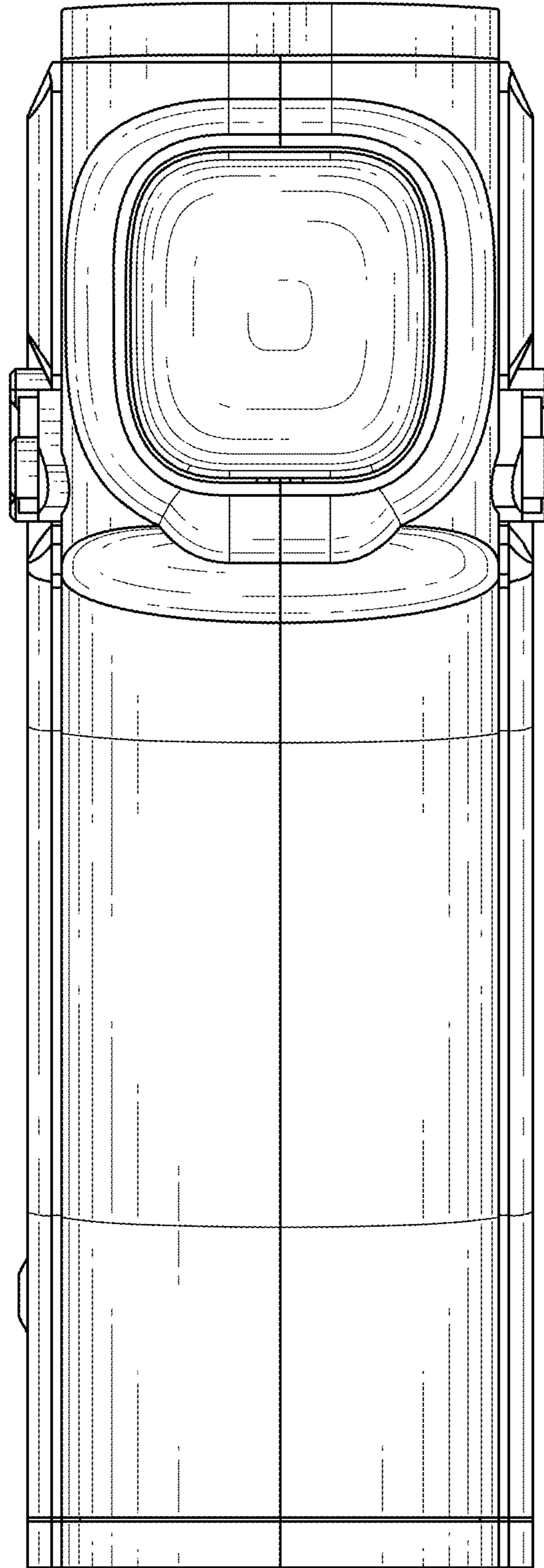


FIG. 7

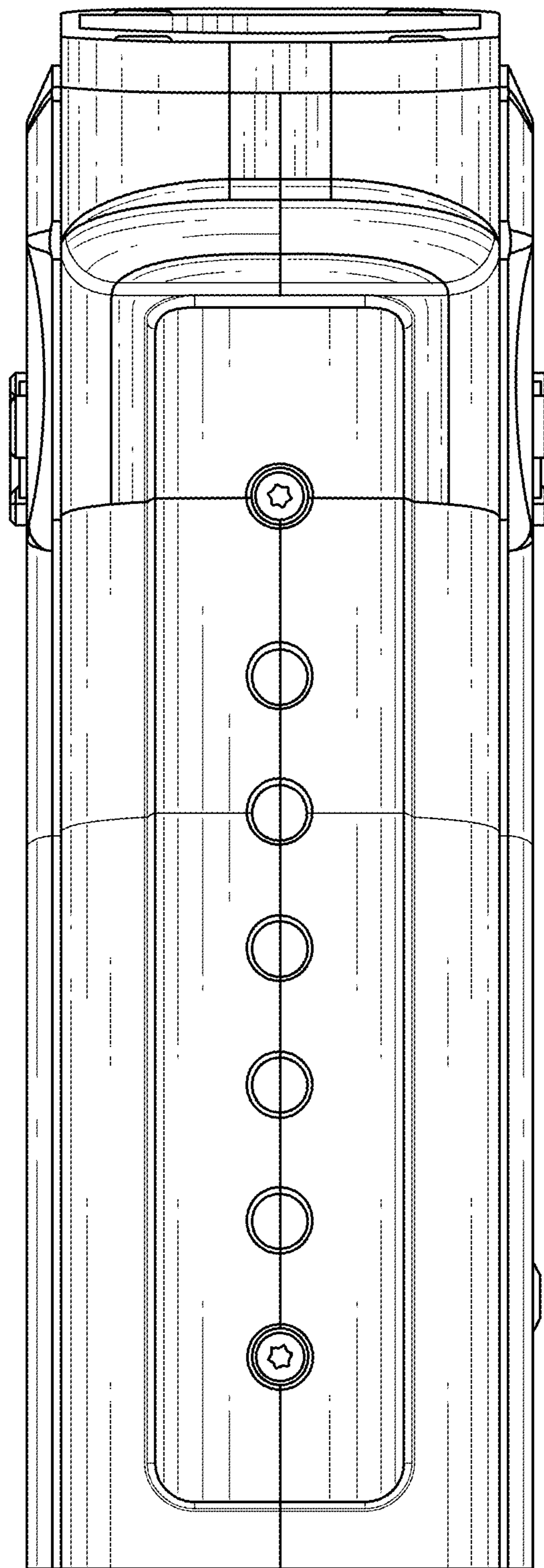


FIG. 8