



US00D892031S

(12) **United States Design Patent** (10) **Patent No.:** **US D892,031 S**
Sabetti et al. (45) **Date of Patent:** **** Aug. 4, 2020**

(54) **TIRE**
(71) Applicant: **Bridgestone Europe NV/SA**, Zaventem (BE)
(72) Inventors: **Emiliano Sabetti**, Rome (IT); **Marco Pedrinelli**, Rome (IT); **Giovanni Moschetta**, Rome (IT); **Emiliano De Rosa**, Rome (IT); **Mauro Mirabile**, Rome (IT)
(73) Assignee: **Bridgestone Europe NV/SA**, Zaventem (BE)

D555,081 S * 11/2007 Feider D12/588
D609,175 S * 2/2010 Feider D12/586
D609,627 S 2/2010 Frappart et al.
D739,339 S * 9/2015 Nomura D12/521
D779,420 S * 2/2017 Krier D12/601
D780,090 S * 2/2017 Liu D12/521
D810,658 S * 2/2018 Hayashi D12/523
D825,442 S * 8/2018 Hayashi D12/532
D844,544 S * 4/2019 Hayashi D12/528
D856,269 S * 8/2019 Hong D12/588
D867,978 S * 11/2019 Davenport D12/588
D874,388 S * 2/2020 Wang D12/521

* cited by examiner

Primary Examiner — Robert M. Spear

(**) Term: **15 Years**
(21) Appl. No.: **29/685,908**
(22) Filed: **Apr. 1, 2019**

(30) **Foreign Application Priority Data**

Nov. 20, 2018 (EM) 005829660-0002

(51) **LOC (12) Cl.** **12-15**
(52) **U.S. Cl.**
USPC **D12/521**
(58) **Field of Classification Search**
USPC D12/521, 523, 528, 532, 579, 586, 587,
D12/588, 594, 595, 600, 601
CPC .. B60C 11/0306; B60C 11/0309; B60C 11/04
See application file for complete search history.

(56) **References Cited**

U.S. PATENT DOCUMENTS

D390,510 S * 2/1998 Stone D12/588
D432,956 S 10/2000 Ricquet

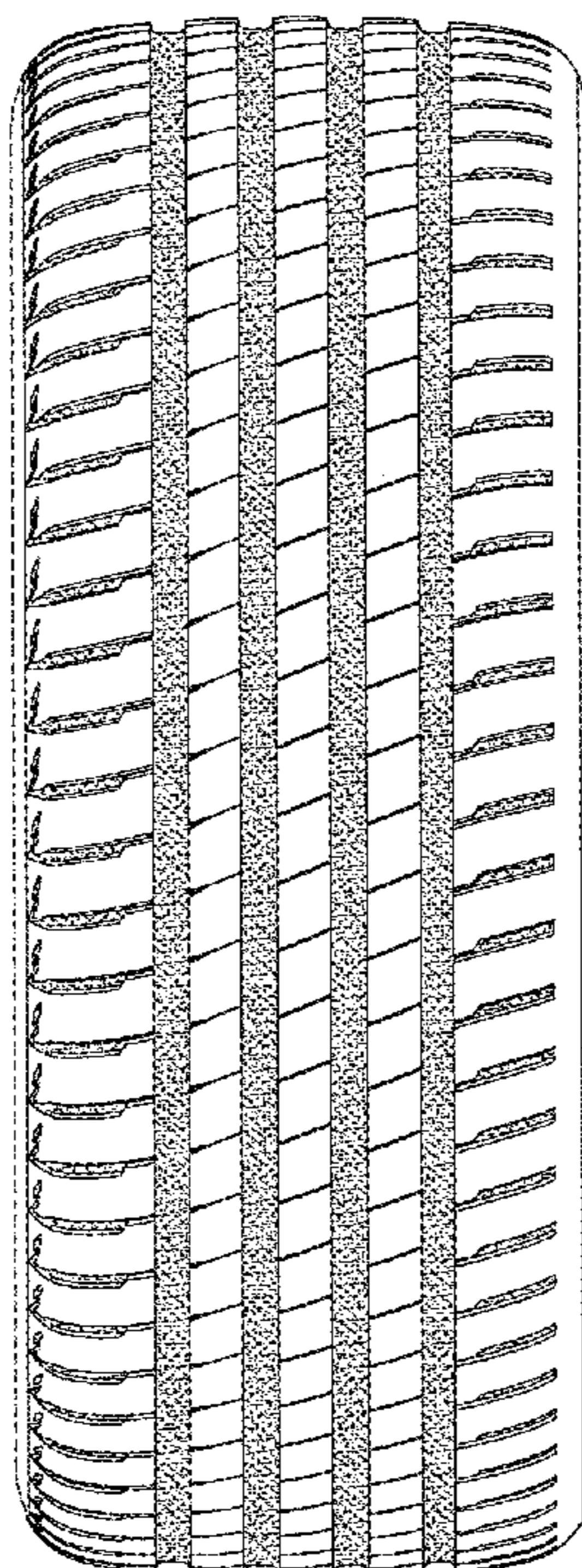
(57) **CLAIM**

The ornamental design for a tire, as shown and described.

DESCRIPTION

FIG. 1 is a perspective view of the tire;
FIG. 2 is a front view of the tire;
FIG. 3 is a right view of the tire;
FIG. 4 is a left view of the tire;
FIG. 5 is an enlarged view of the tire with section lines related to views 6,7,8;
FIG. 6 is a first transversal section view of the tire;
FIG. 7 is a second transversal section view of the tire; and,
FIG. 8 is a third transversal section view of the tire.
The broken lines defining the sidewall and inner bead depict environmental subject matter that forms no part of the claimed design.

1 Claim, 8 Drawing Sheets



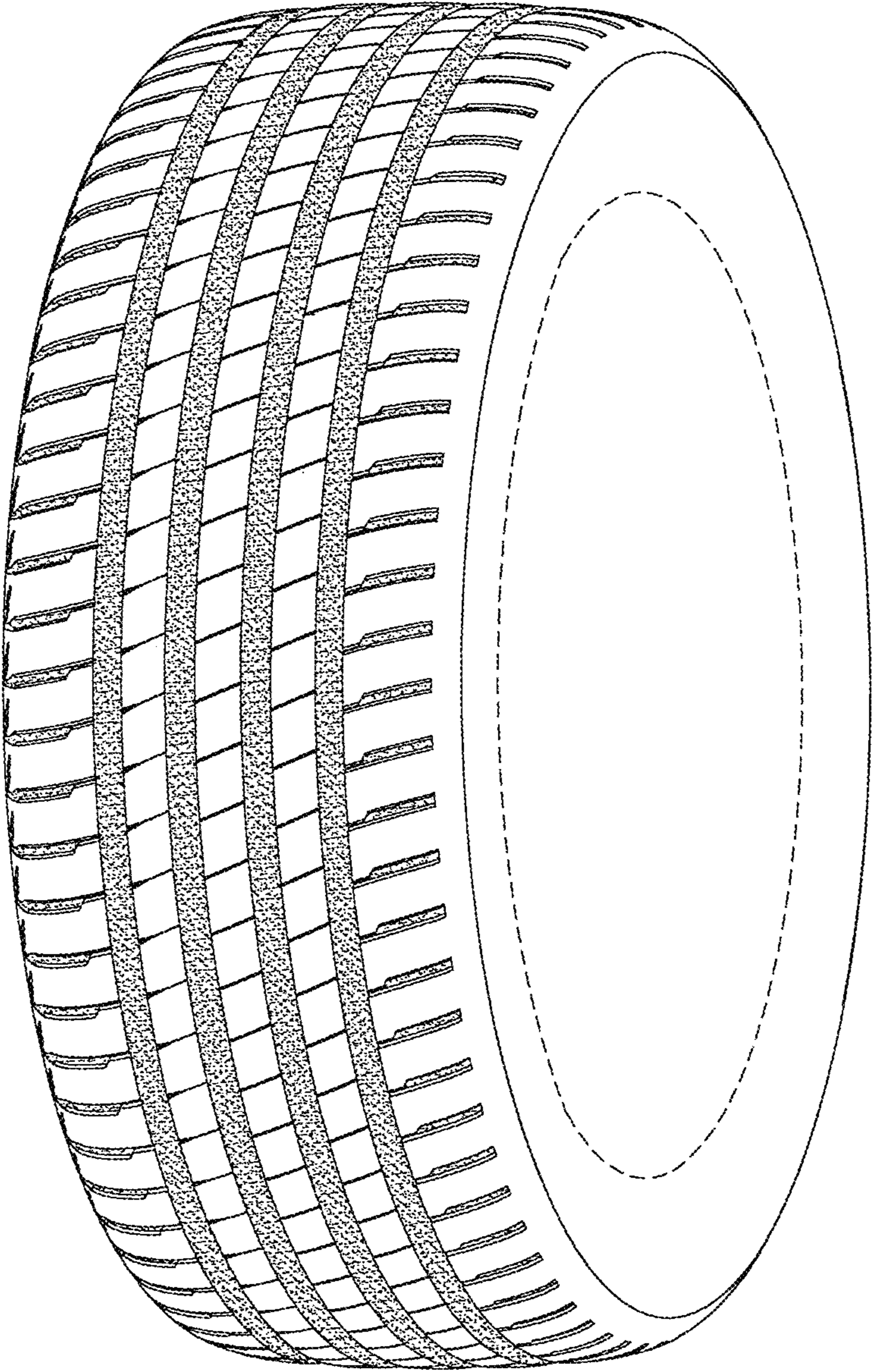


FIG.1

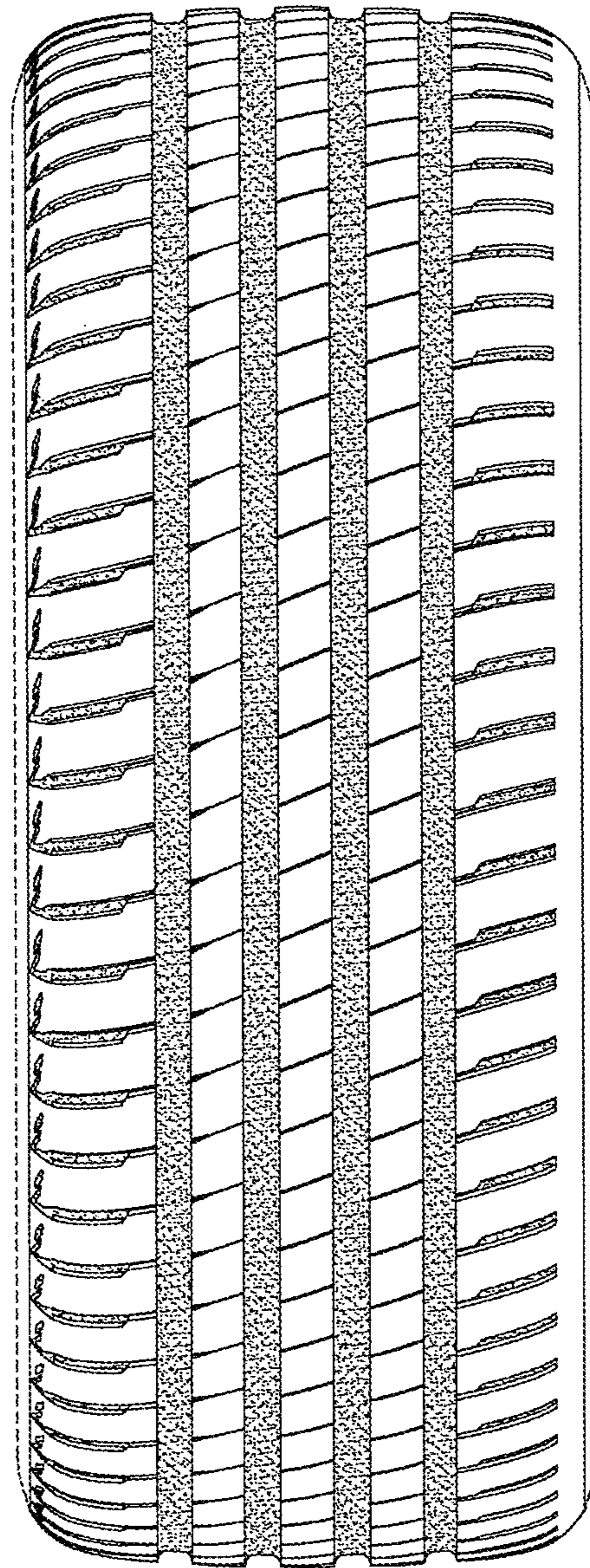


FIG.2

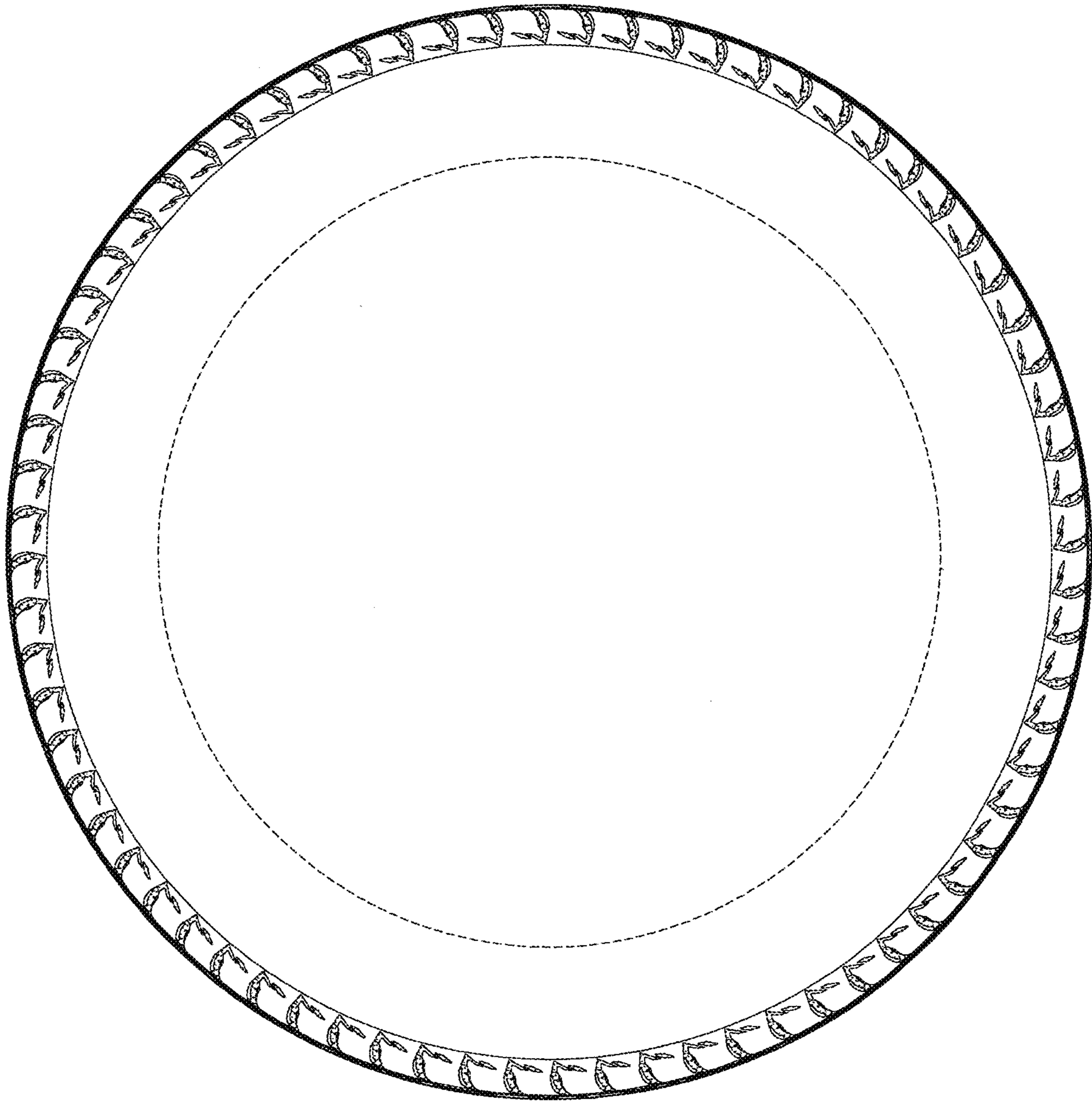


FIG.3

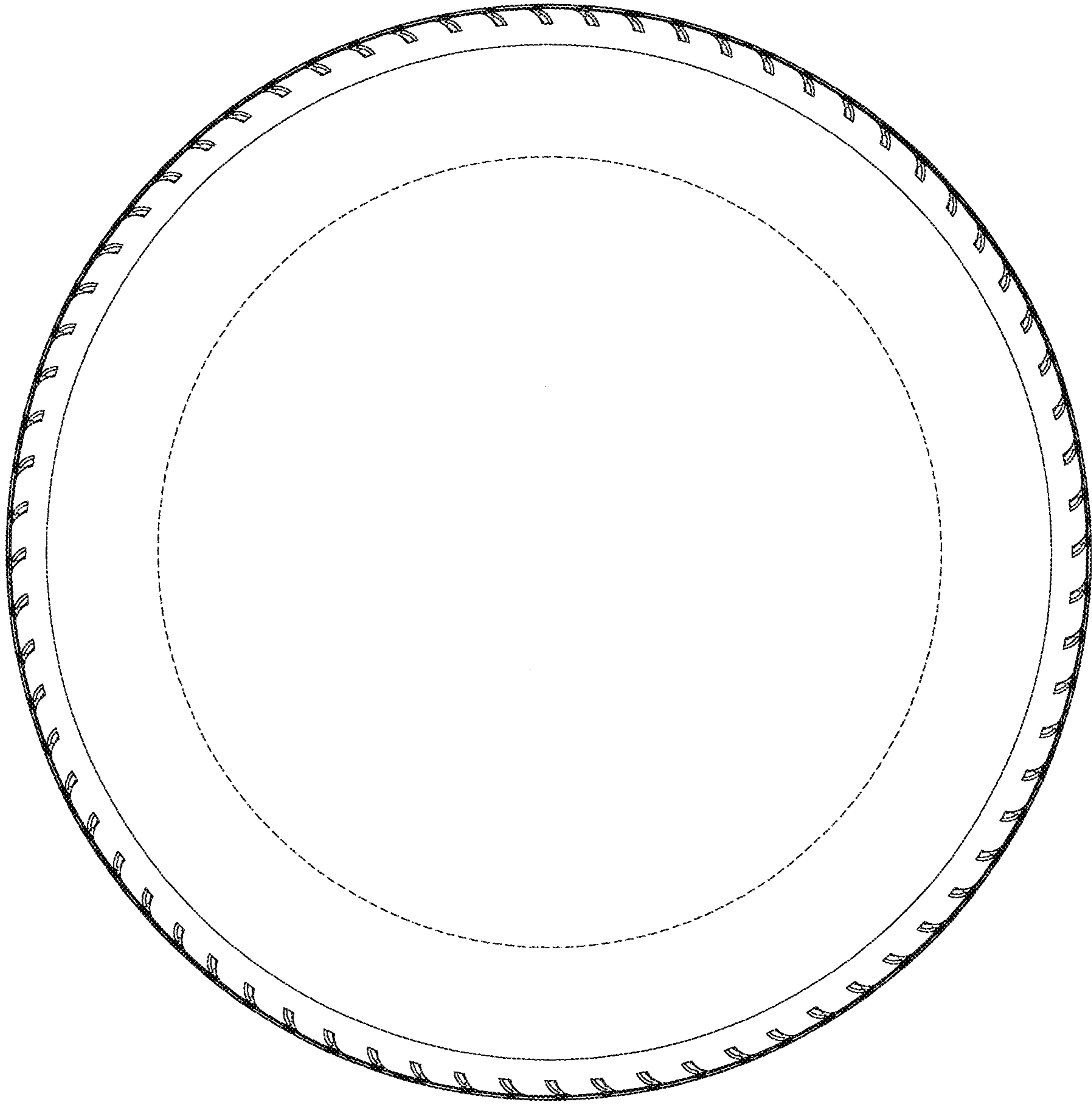


FIG.4

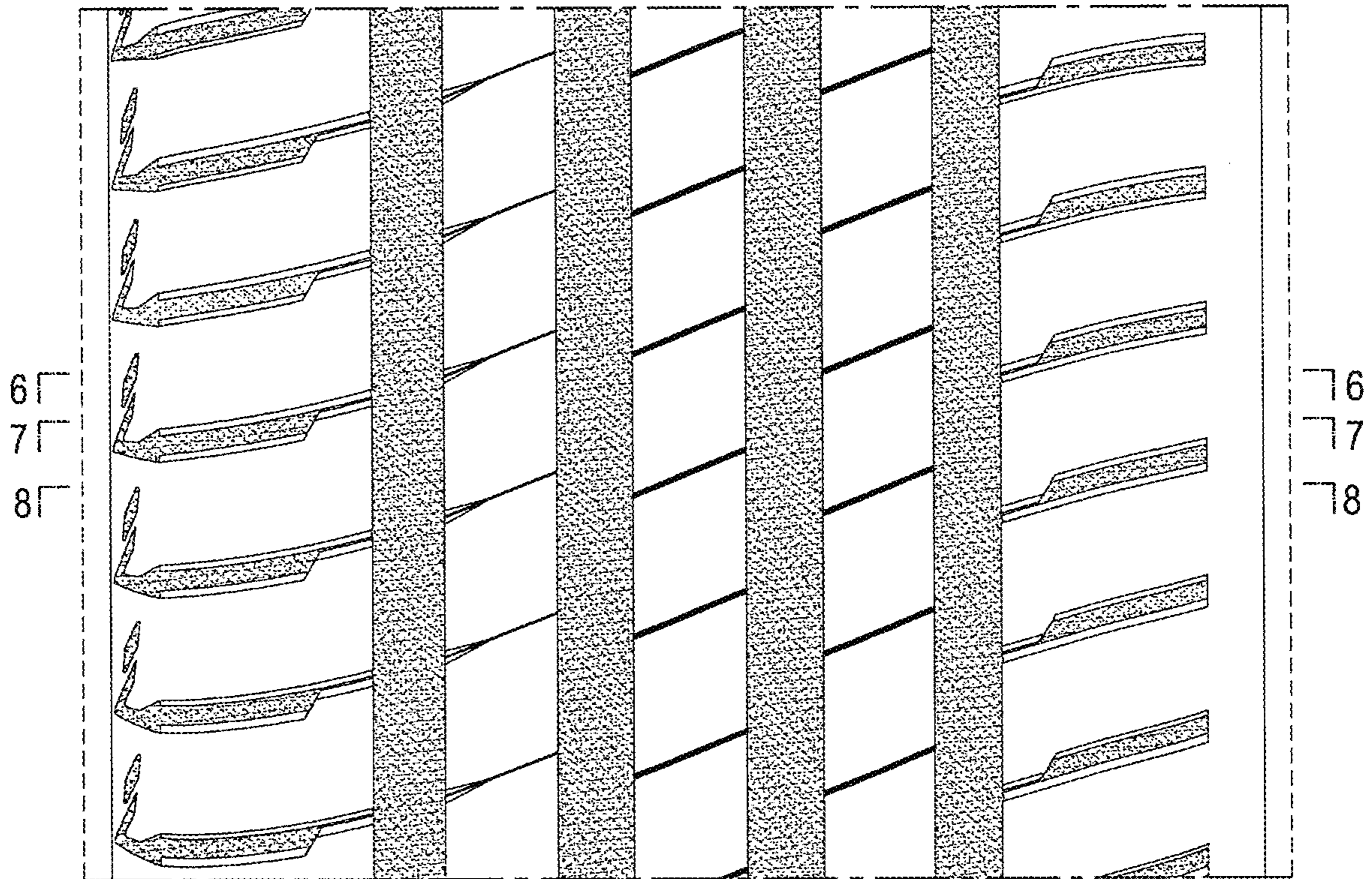


FIG.5

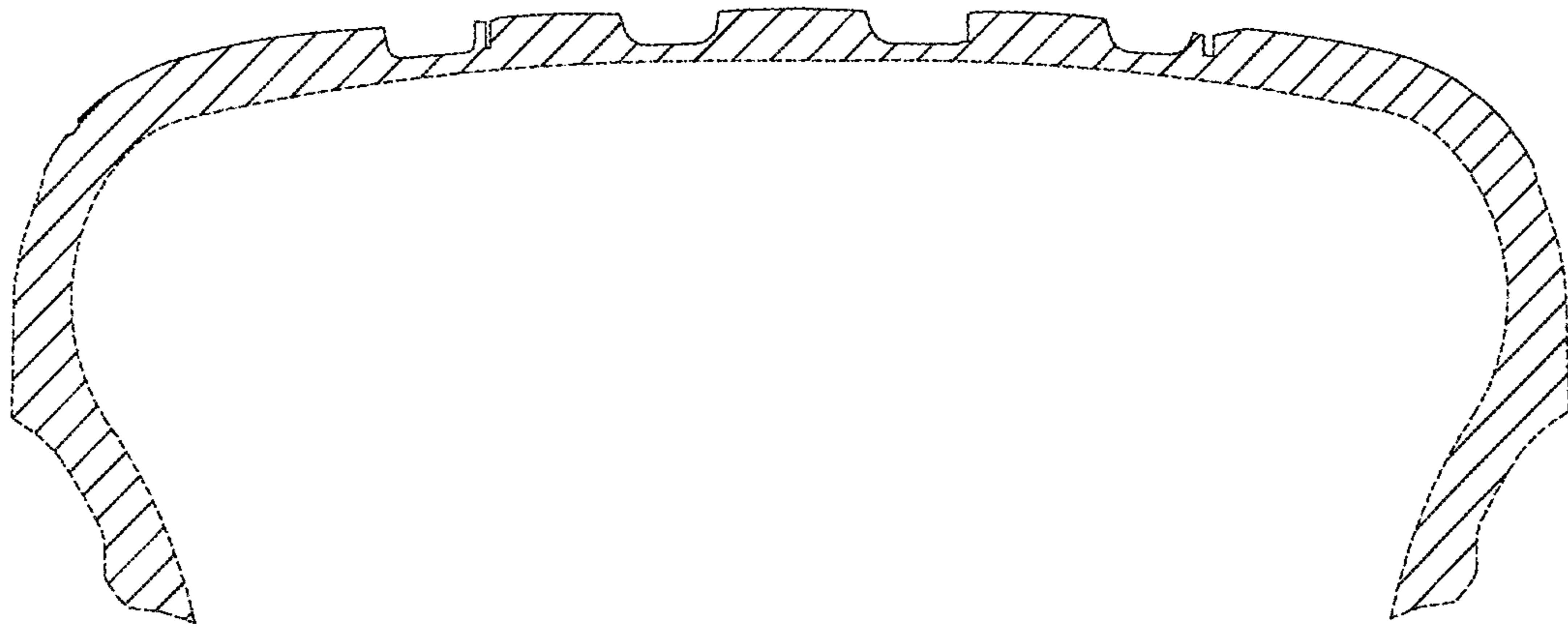


FIG.6

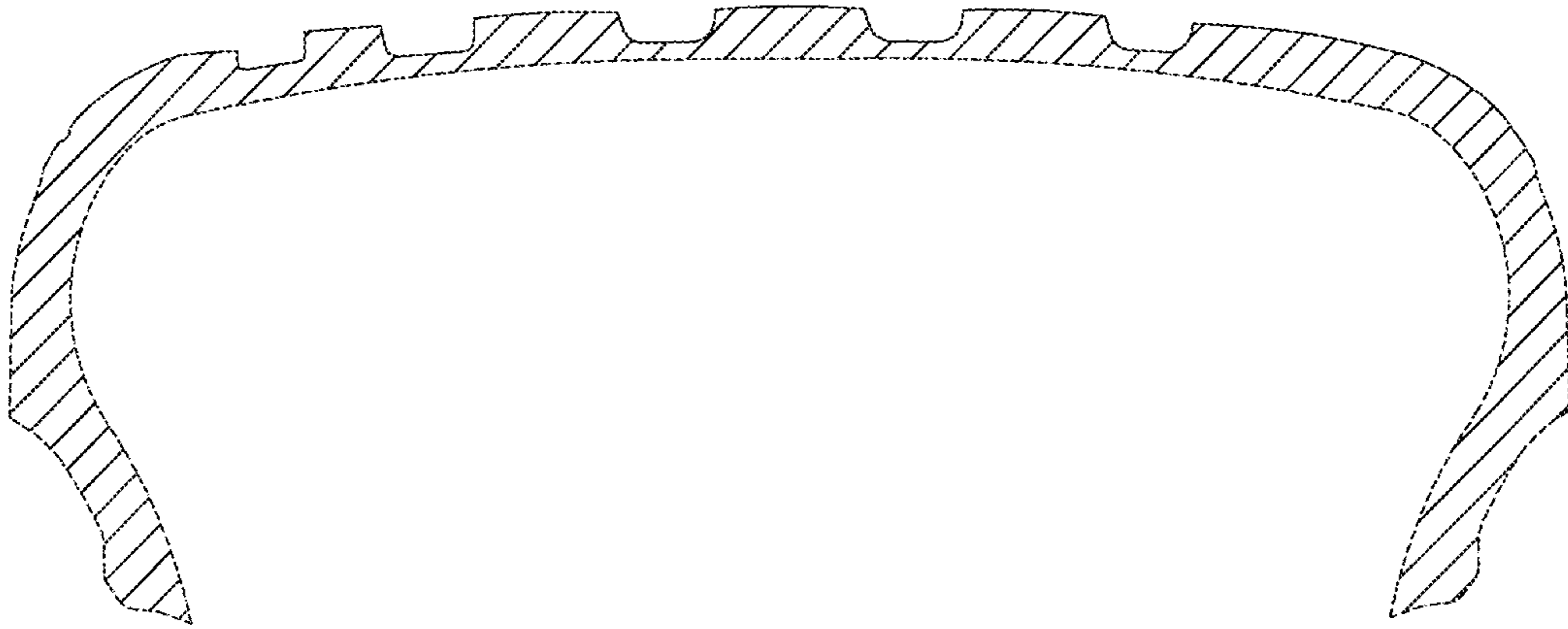


FIG.7

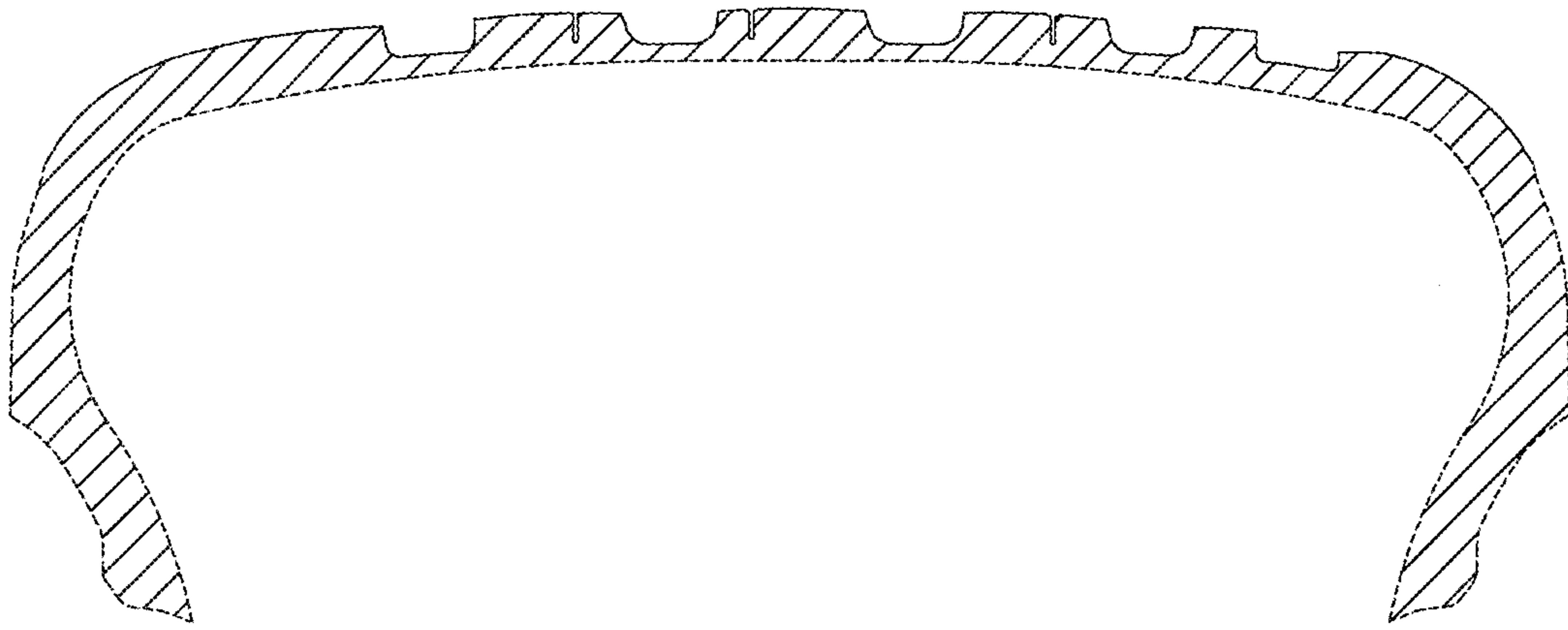


FIG.8