



US00D892028S

(12) **United States Design Patent** (10) **Patent No.:** **US D892,028 S**
Miyake (45) **Date of Patent:** **** Aug. 4, 2020**

(54) **TIRE**

FOREIGN PATENT DOCUMENTS

(71) Applicant: **Toyo Tire Corporation**, Itami-shi, Hyogo (JP)

JP	1482289	10/2013
JP	1552434	6/2016

(72) Inventor: **Masaya Miyake**, Itami (JP)

* cited by examiner

(73) Assignee: **Toyo Tire Corporation**, Itami-shi (JP)

Primary Examiner — Robert M. Spear
(74) *Attorney, Agent, or Firm* — Sterne, Kessler, Goldstein & Fox P.L.L.C.

(**) Term: **15 Years**

(21) Appl. No.: **29/689,968**

(22) Filed: **May 3, 2019**

(57) **CLAIM**

The ornamental design for a tire, as shown and described.

(30) **Foreign Application Priority Data**

Nov. 28, 2018 (JP) 2018-025804

DESCRIPTION

(51) **LOC (12) Cl.** **12-15**

(52) **U.S. Cl.**
USPC **D12/518**; D12/524

(58) **Field of Classification Search**
USPC D12/514, 515, 517, 518, 519, 521, 523, D12/524, 527, 528, 531, 532
CPC B60C 3/06; B60C 9/17; B60C 11/0304
See application file for complete search history.

FIG. 1 is a front perspective view of a tire showing the claimed design;
FIG. 2 is a front view thereof;
FIG. 3 is a rear view thereof;
FIG. 4 is a top plan view thereof, the bottom plan view being the same;
FIG. 5 is a right side view thereof, the left side view being the same;
FIG. 6 is an enlarged view taken along line 6-6 in FIG. 1;
FIG. 7 is an enlarged view of the portion 7-7 in FIG. 2; and,
FIG. 8 is a cross-sectional view taken along line 8-8 in FIG. 7.

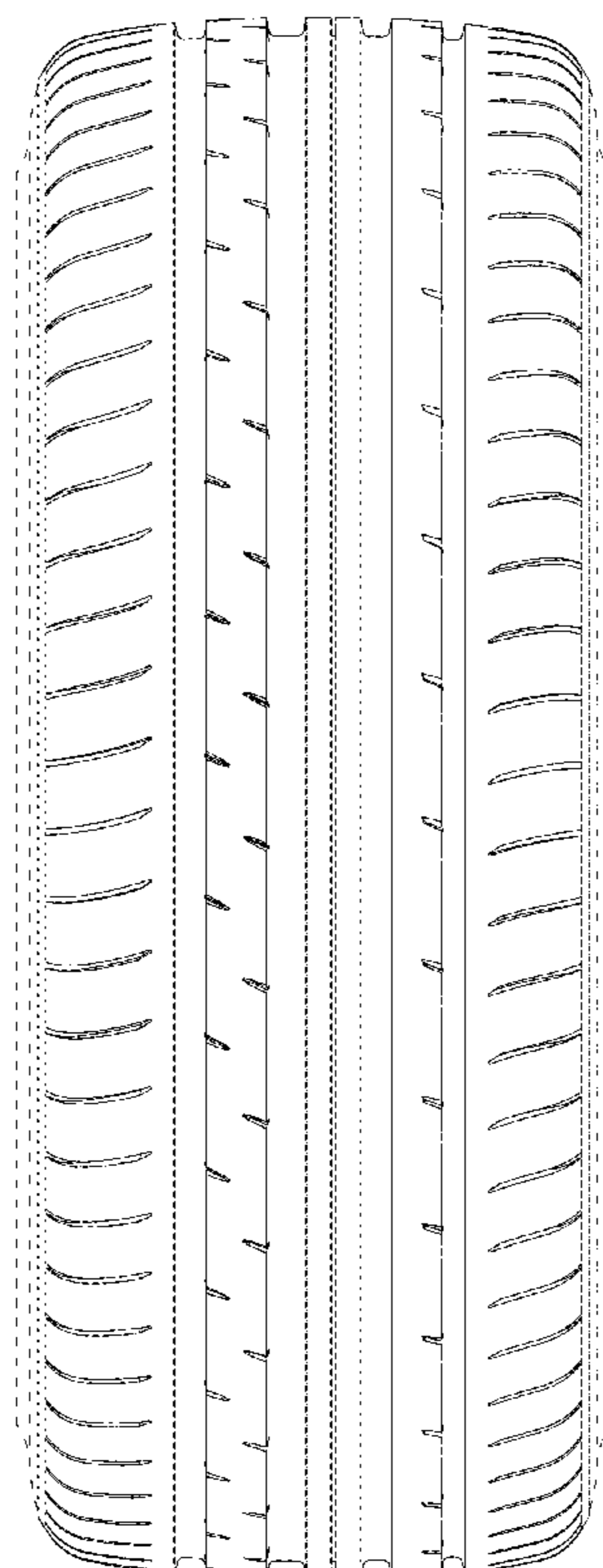
(56) **References Cited**

U.S. PATENT DOCUMENTS

D709,435 S *	7/2014	Jacobs	D12/518
D786,179 S *	5/2017	Wang	D12/523
D795,149 S *	8/2017	Digman	D12/524
D804,396 S *	12/2017	Philipot	D12/523

In the drawings, the broken lines show portions of the tire that form no part of the claimed design.

1 Claim, 8 Drawing Sheets



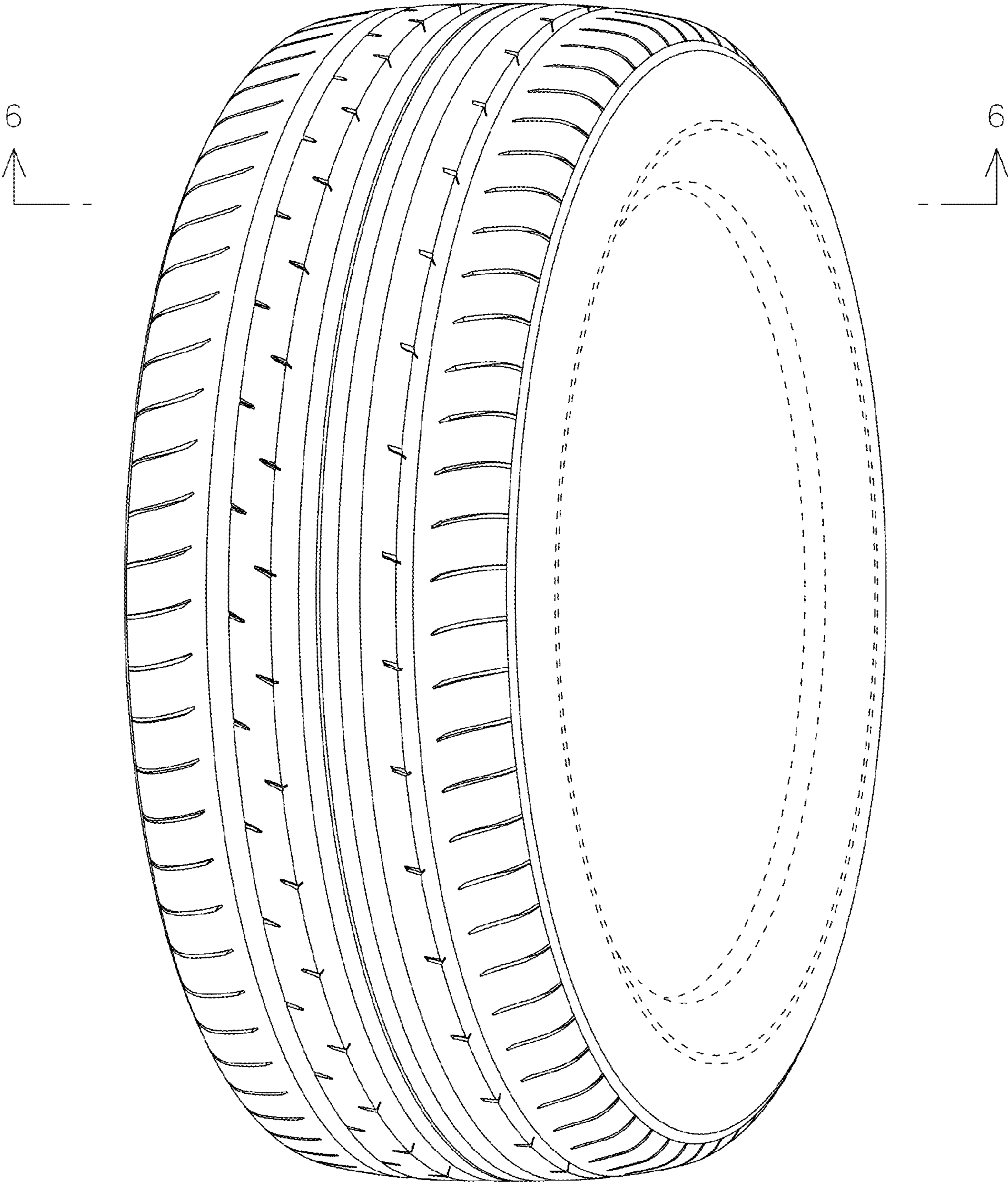


FIG. 1

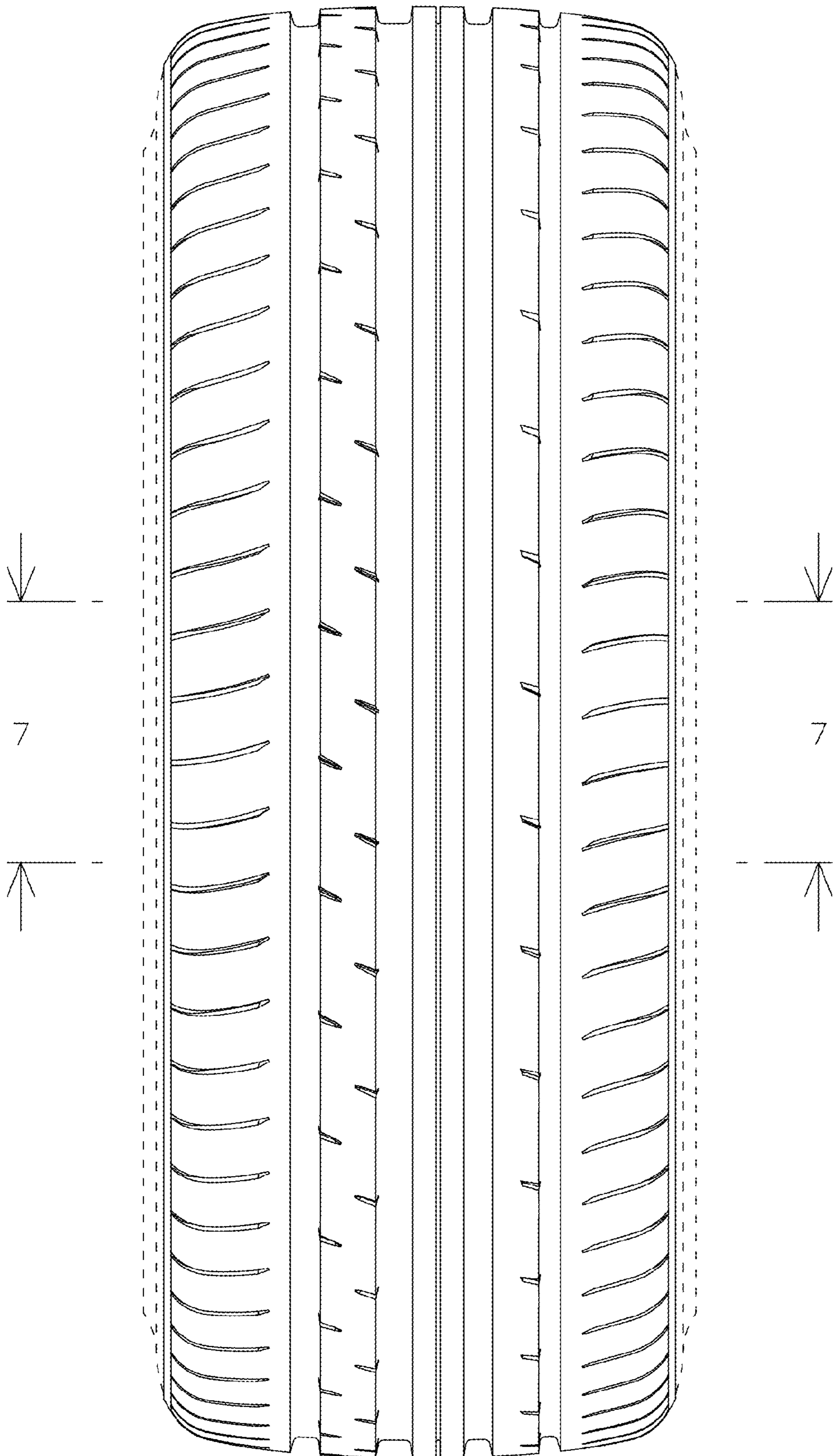


FIG. 2

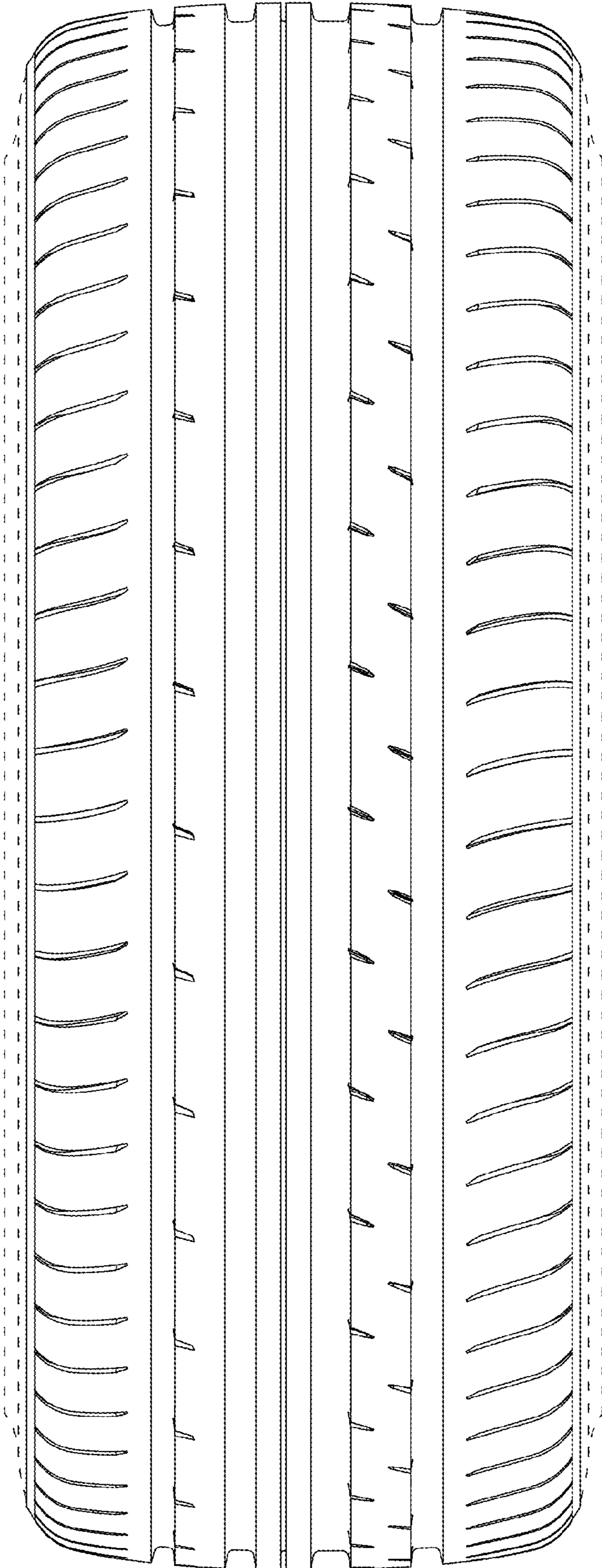


FIG. 3

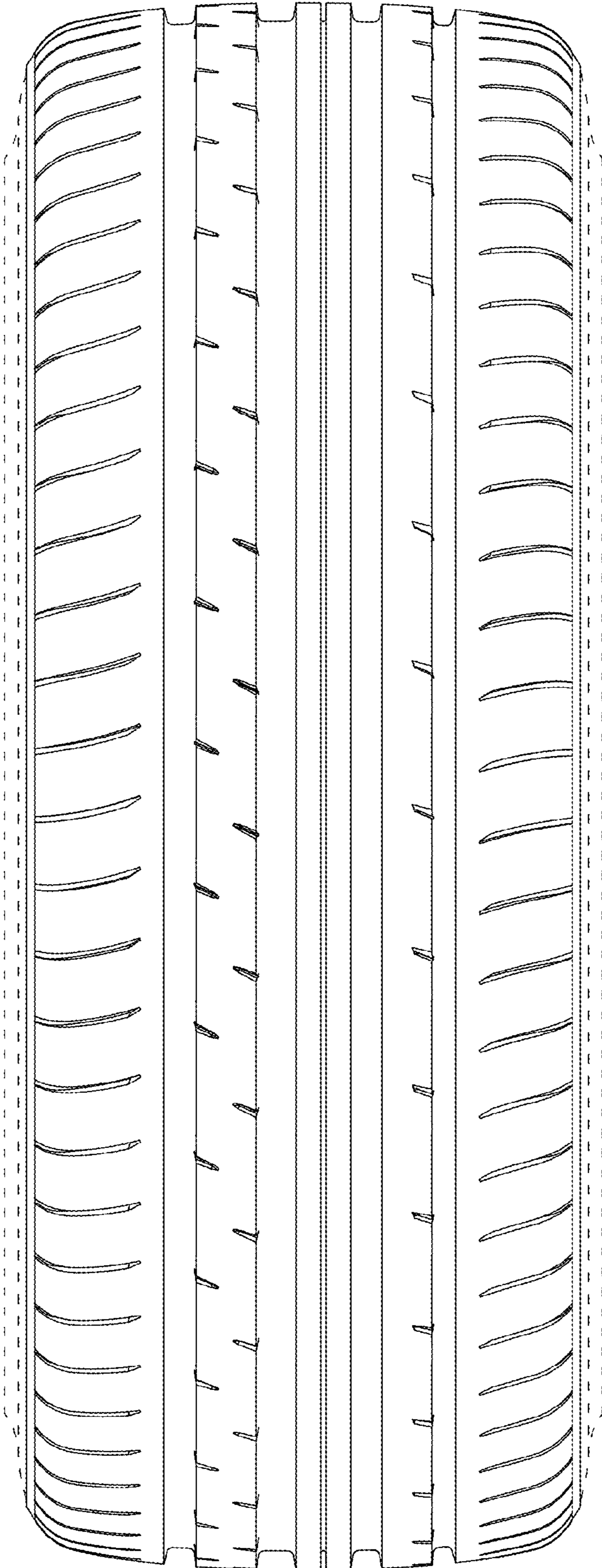


FIG. 4

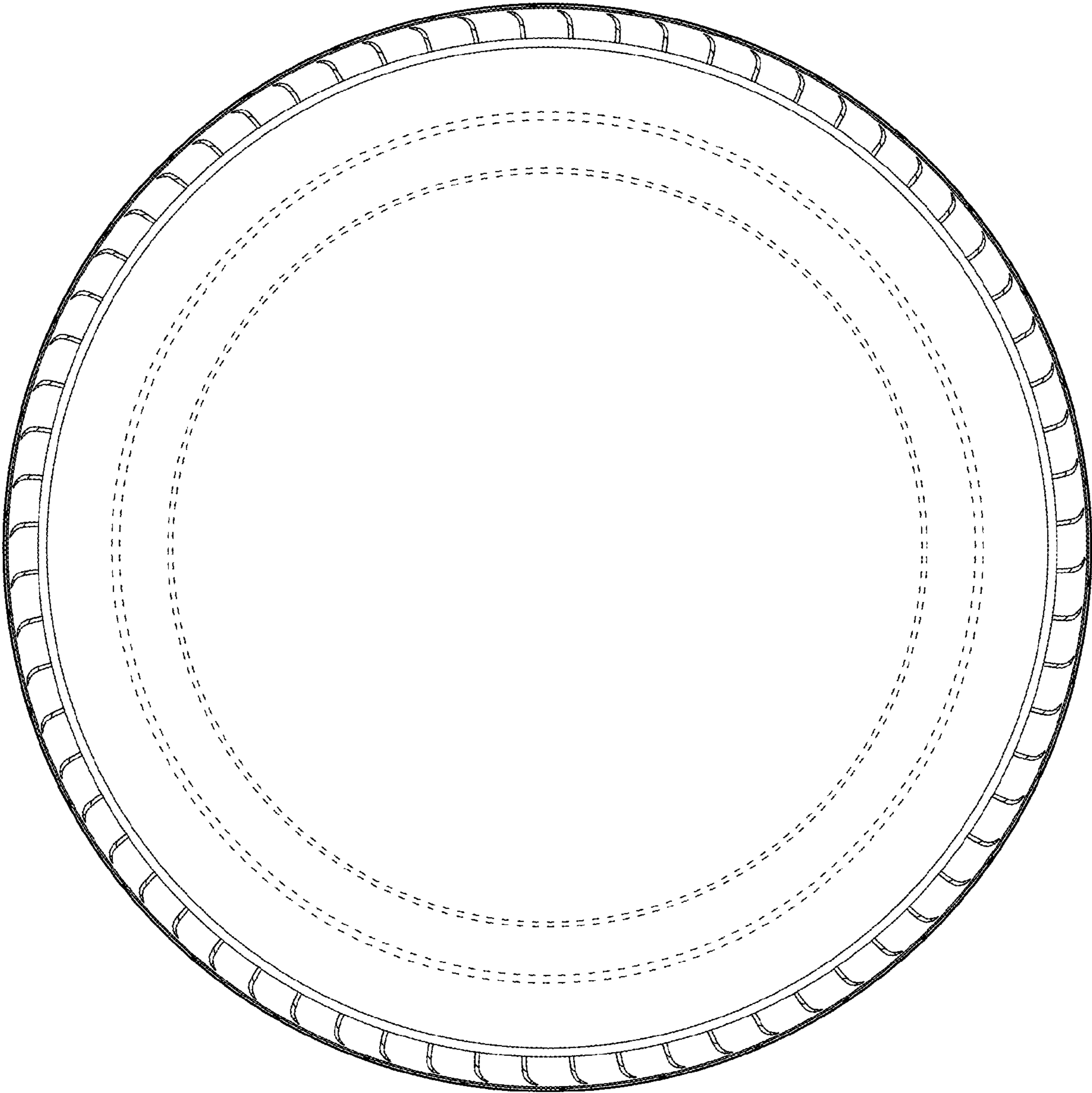


FIG. 5

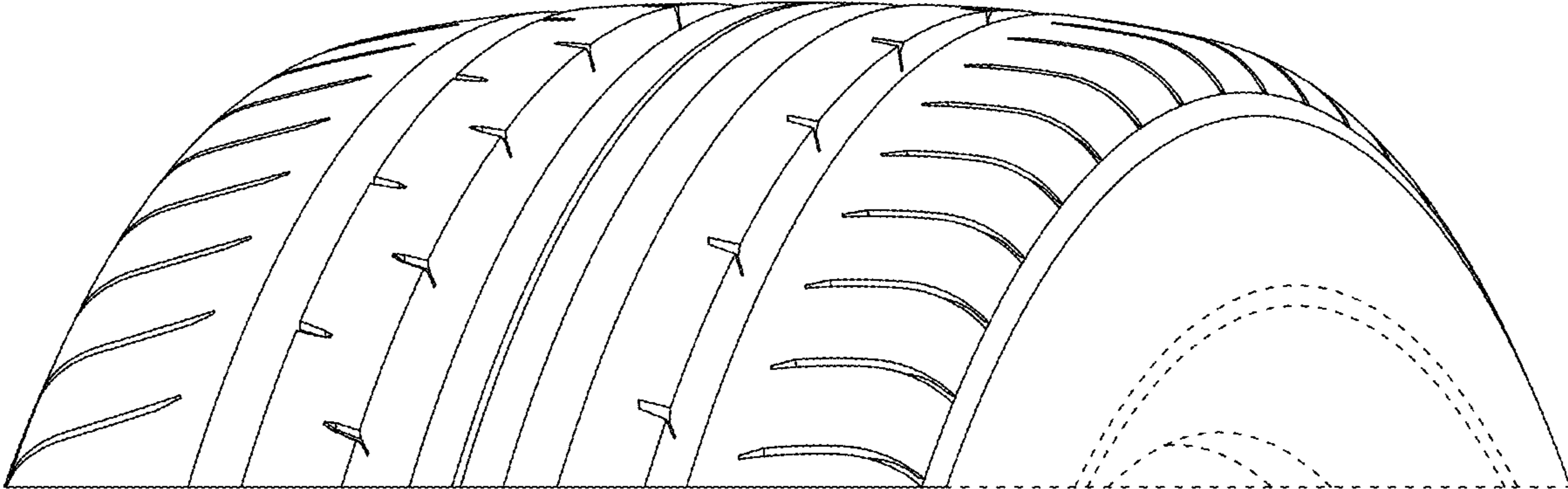


FIG. 6

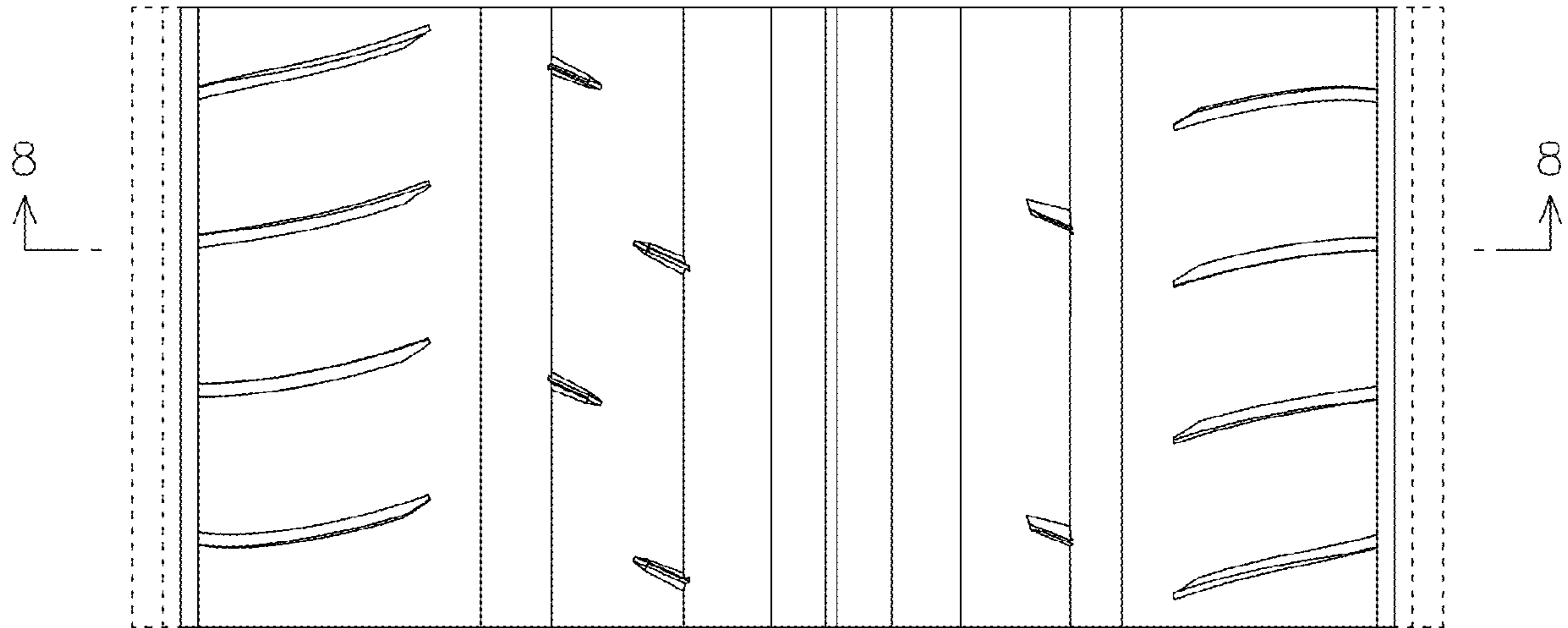


FIG. 7

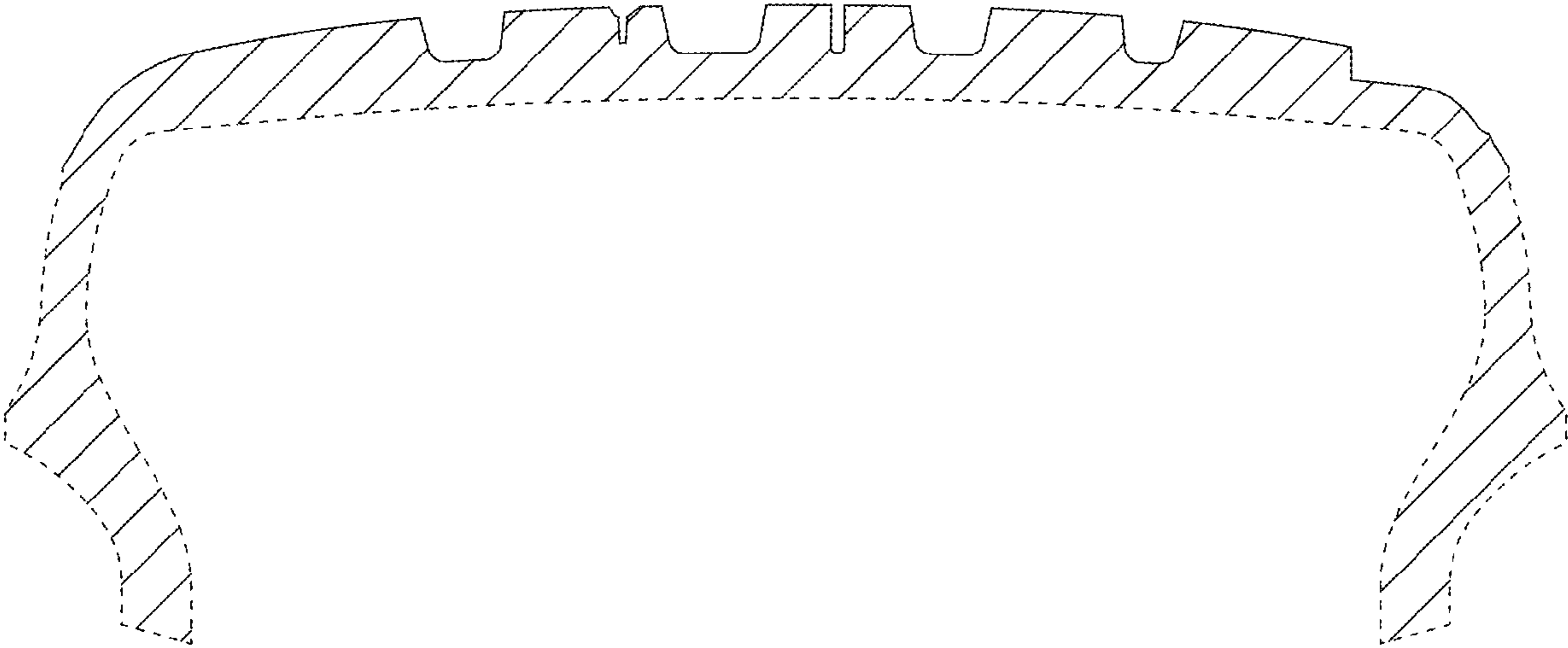


FIG. 8