



US00D892027S

(12) **United States Design Patent** (10) **Patent No.:** **US D892,027 S**
Sakata (45) **Date of Patent:** **** Aug. 4, 2020**

(54) **TIRE**

FOREIGN PATENT DOCUMENTS

(71) Applicant: **Toyo Tire Corporation**, Itami-shi, Hyogo (JP)

JP 1379510 S 2/2010
JP 1477966 S 8/2013
JP 1547886 S 4/2016

(72) Inventor: **Hirokazu Sakata**, Itami (JP)

* cited by examiner

(73) Assignee: **Toyo Tire Corporation**, Itami-shi (JP)

Primary Examiner — Robert M. Spear

(**) Term: **15 Years**

(74) *Attorney, Agent, or Firm* — Sterne, Kessler, Goldstein & Fox P.L.L.C.

(21) Appl. No.: **29/696,580**

(22) Filed: **Jun. 28, 2019**

(57) **CLAIM**

The ornamental design for a tire, as shown and described.

(30) **Foreign Application Priority Data**

DESCRIPTION

Mar. 6, 2019 (JP) 2019-004634

(51) **LOC (12) Cl.** **12-15**

(52) **U.S. Cl.**
USPC **D12/517; D21/523**

(58) **Field of Classification Search**
USPC D12/514, 515, 517, 518, 519, 521, 523,
D12/524, 527, 528, 531, 532

CPC B60C 3/06; B60C 9/17; B60C 11/0304
See application file for complete search history.

FIG. 1 is a front perspective view of a tire showing the claimed design;

FIG. 2 is a front view thereof;

FIG. 3 is a rear view thereof;

FIG. 4 is a top plan view thereof, the bottom plan view being the same;

FIG. 5 is a right side view thereof

FIG. 6 is a left side view thereof;

FIG. 7 is an enlarged view taken along line 7-7 in FIG. 1;

FIG. 8 is an enlarged view of the portion 8-8 in FIG. 2; and,

FIG. 9 is a cross-sectional view taken along line 9-9 in FIG. 8.

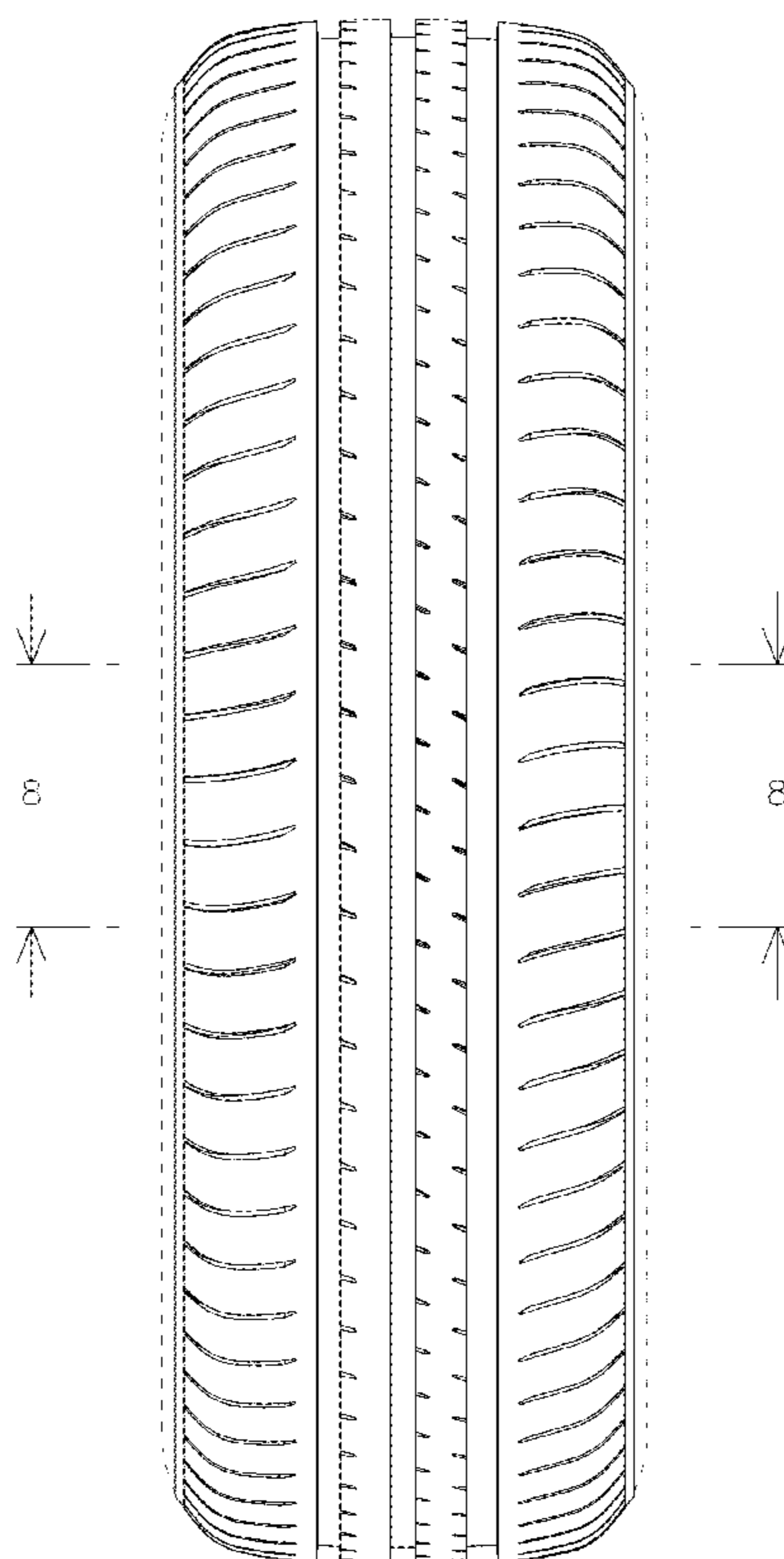
In the drawings, the broken lines show portions of the tire that form no part of the claimed design.

(56) **References Cited**

U.S. PATENT DOCUMENTS

D729,147 S * 5/2015 Perrier D12/518
D758,954 S * 6/2016 Albouy D12/518
D761,716 S * 7/2016 Albouy D12/518
D797,652 S * 9/2017 Bokken D12/520

1 Claim, 9 Drawing Sheets



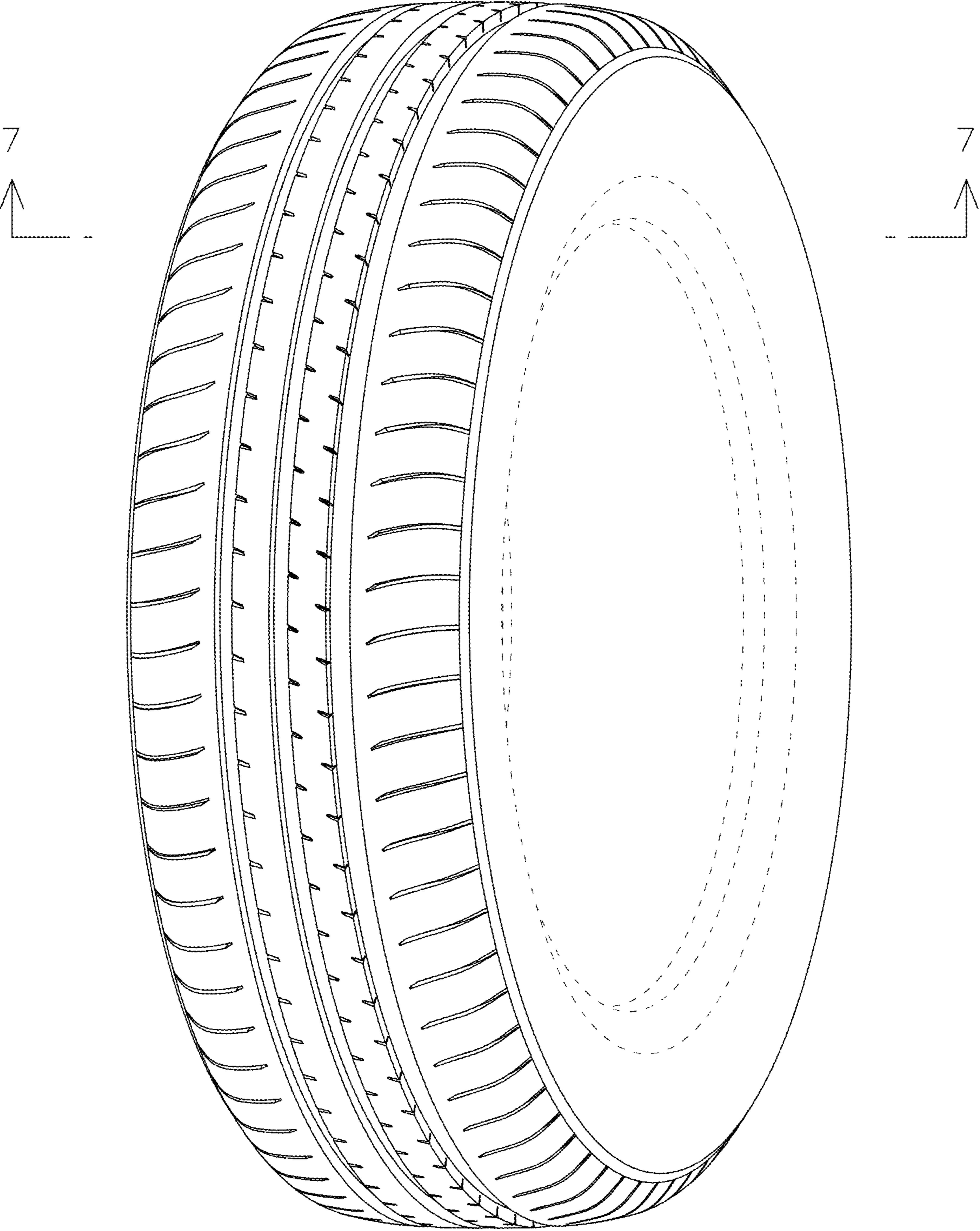


FIG. 1

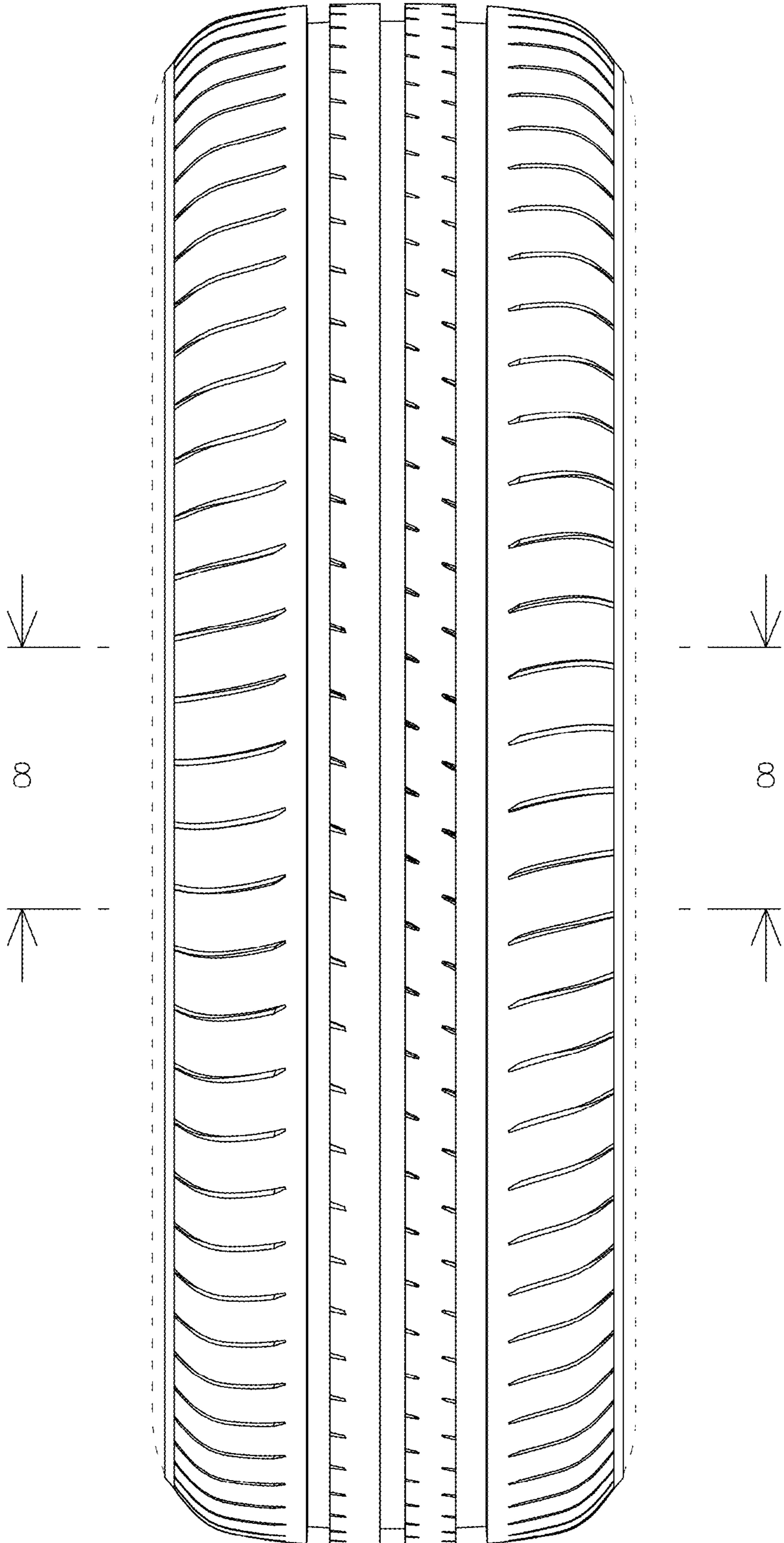


FIG. 2

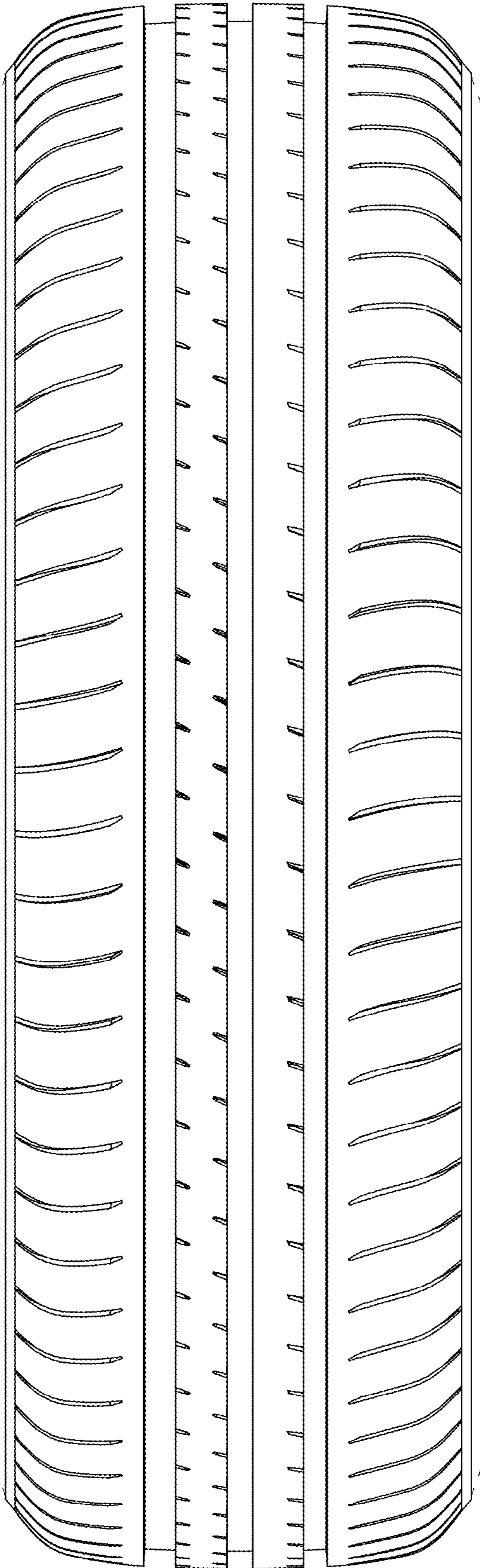


FIG. 3

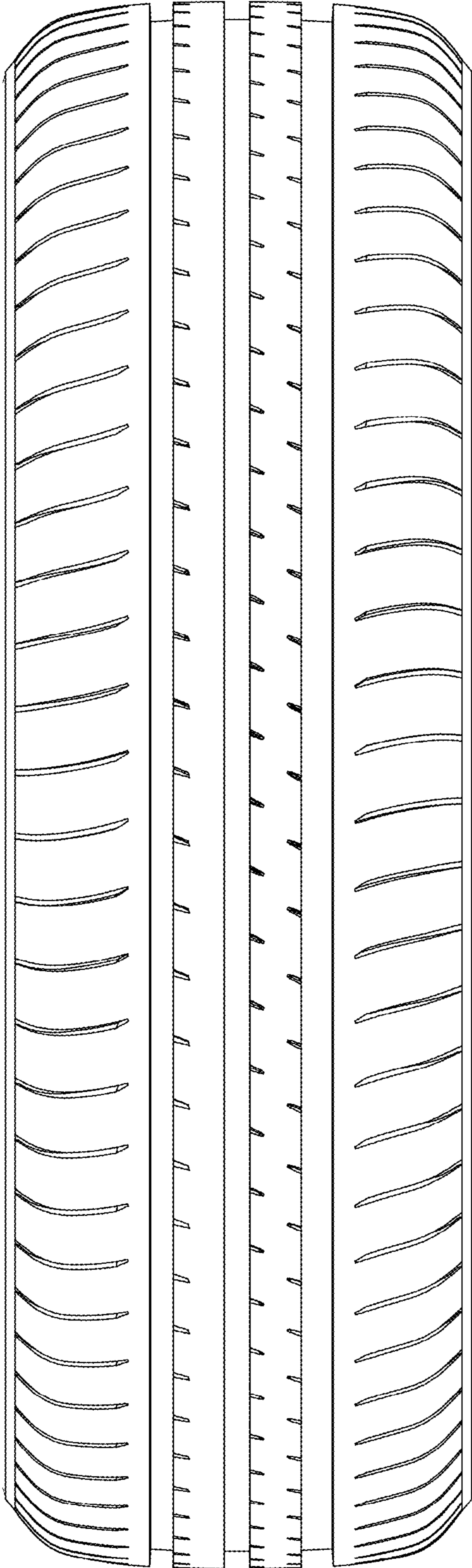


FIG. 4

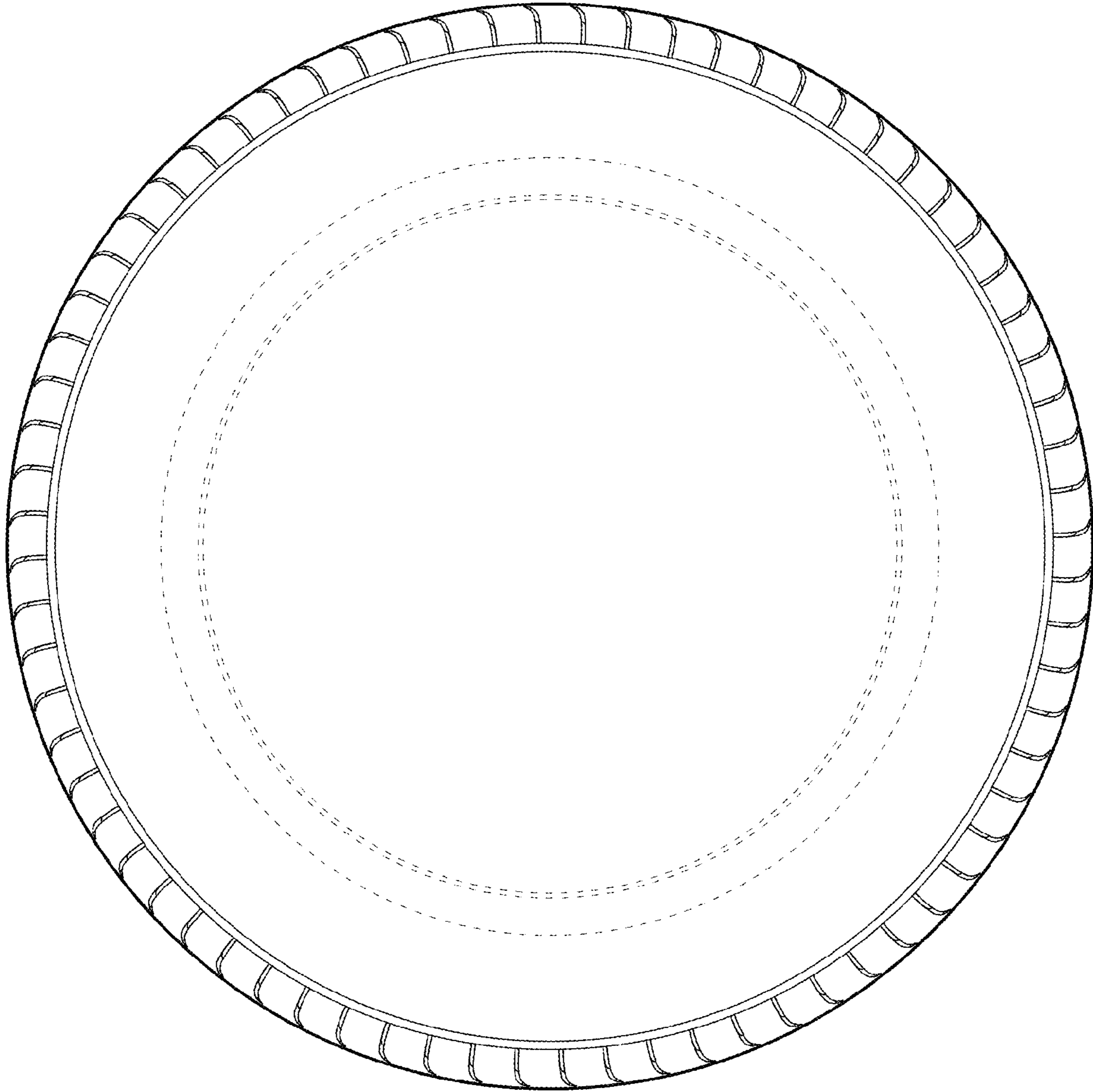


FIG. 5

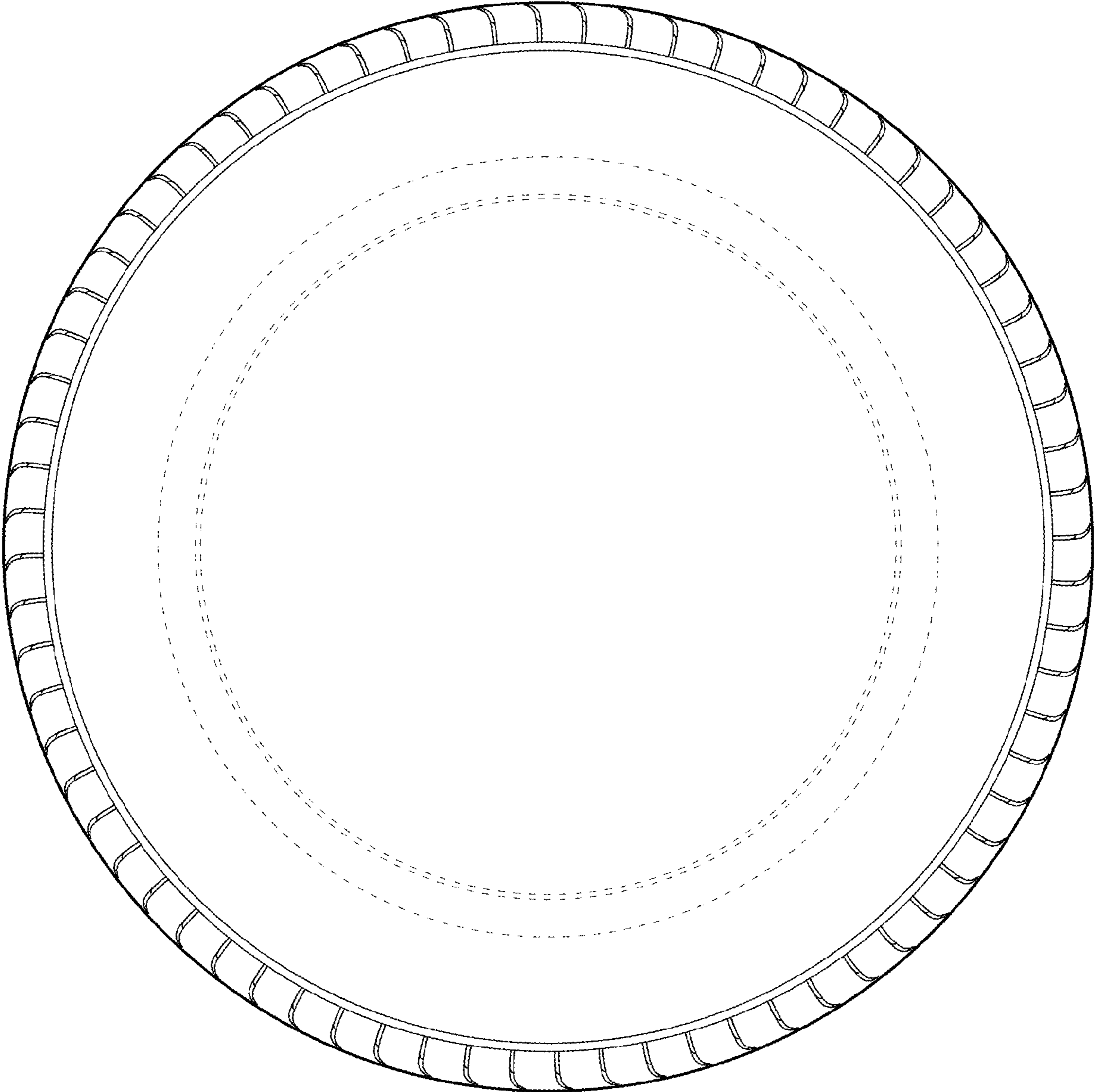


FIG. 6

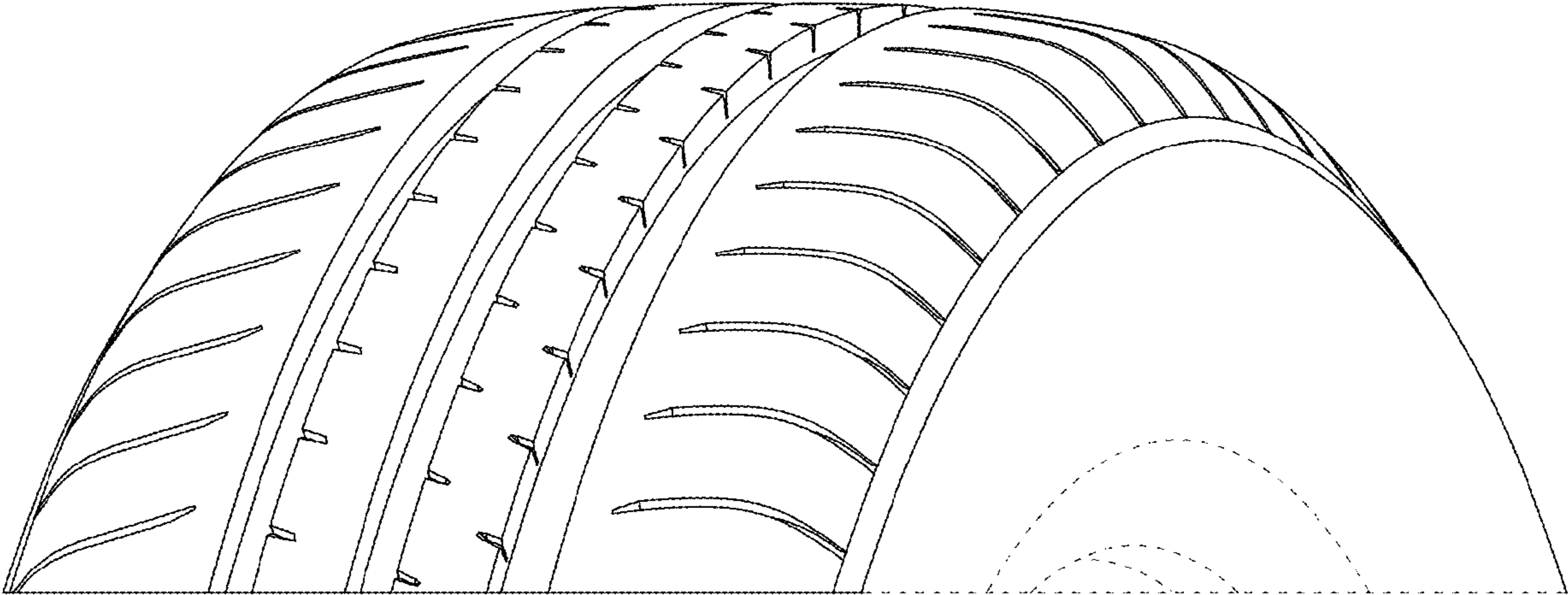


FIG. 7

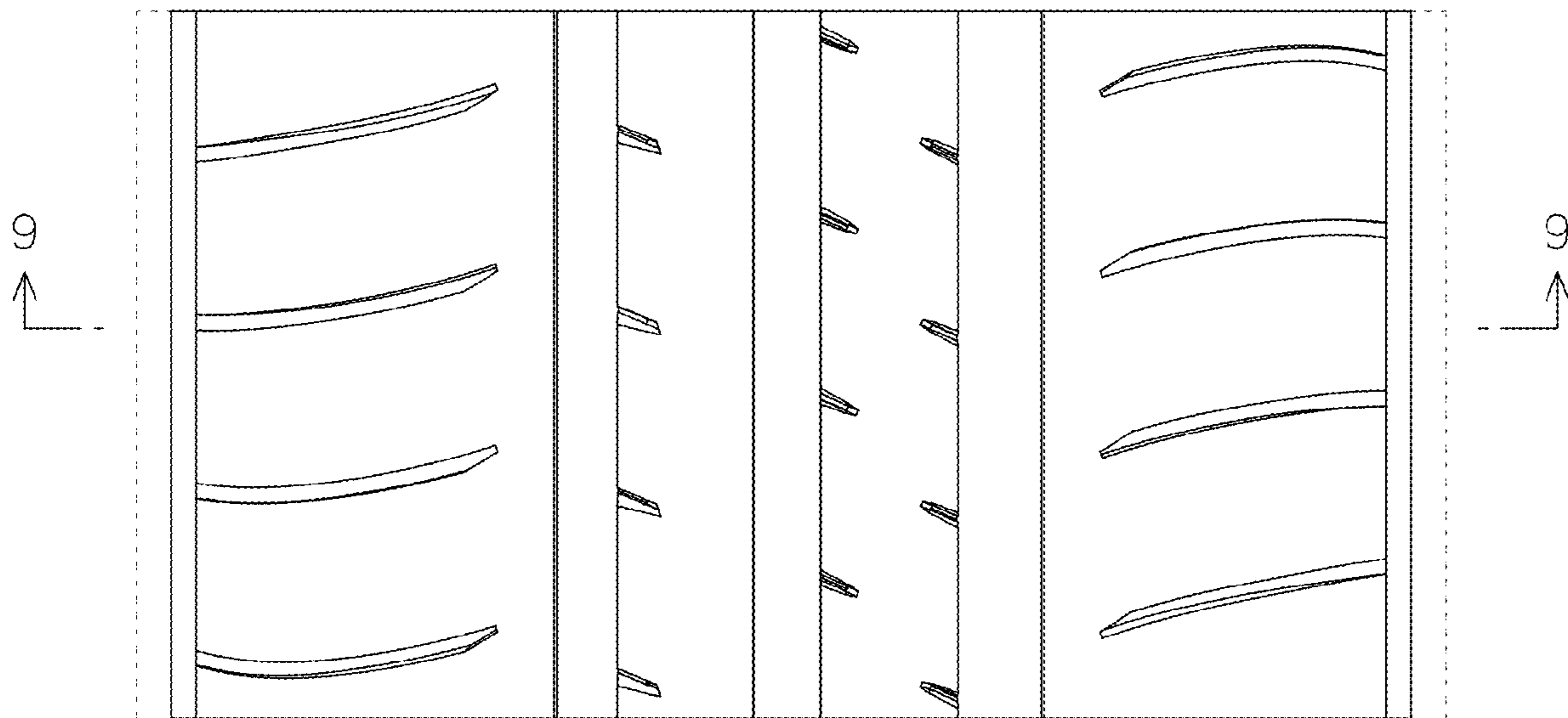


FIG. 8

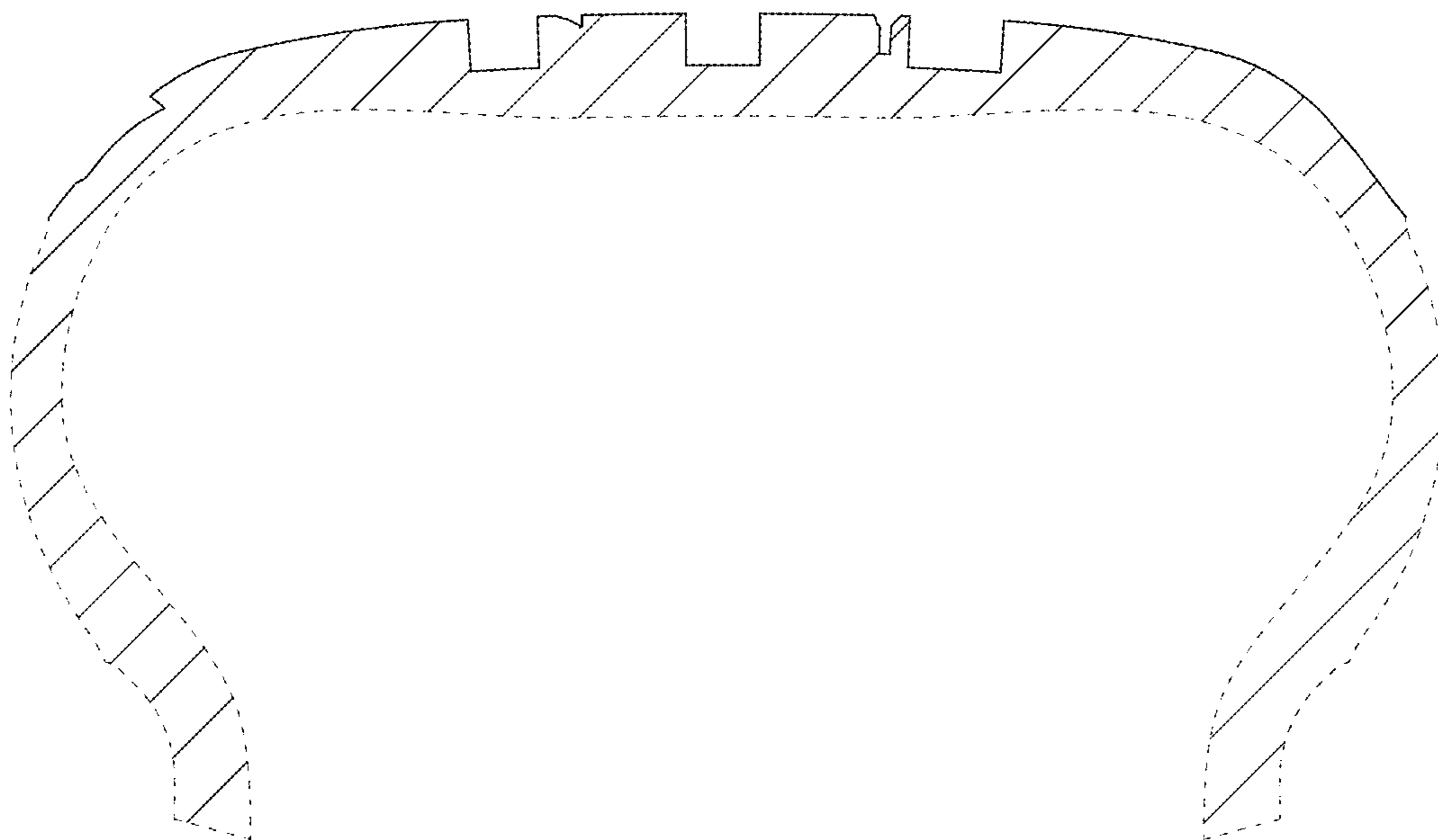


FIG. 9