

US00D892026S

(12) **United States Design Patent**
Zajac et al.

(10) **Patent No.:** **US D892,026 S**
(45) **Date of Patent:** **** Aug. 4, 2020**

- (54) **AUTOCYCLE STORAGE POD**
- (71) Applicants: **Christopher Zajac**, South Windsor, CT (US); **Marlon Fuller**, Winter Garden, FL (US)
- (72) Inventors: **Christopher Zajac**, South Windsor, CT (US); **Marlon Fuller**, Winter Garden, FL (US)
- (**) Term: **15 Years**
- (21) Appl. No.: **29/669,515**
- (22) Filed: **Nov. 8, 2018**
- (51) **LOC (12) Cl.** **12-16**
- (52) **U.S. Cl.**
USPC **D12/402**
- (58) **Field of Classification Search**
USPC D12/400-403, 409, 410, 415, 114, 115;
D25/16, 18; D6/663
CPC B62J 19/00; B62J 23/00
See application file for complete search history.

(56) **References Cited**

U.S. PATENT DOCUMENTS

- 3,967,425 A * 7/1976 Wolverton E04H 6/005
52/236.1
- D334,837 S * 4/1993 Bradley D12/402
- 5,507,121 A * 4/1996 Taylor E04H 6/005
49/40
- 5,533,616 A * 7/1996 Crowfoot B65D 85/68
206/335
- D377,474 S * 1/1997 Rhead D12/402
- D378,033 S * 2/1997 Volk, Jr. D25/16
- D391,219 S * 2/1998 Voorhees D12/402
- D405,045 S * 2/1999 Sauve D12/402
- D456,339 S * 4/2002 Buuren D12/401
- 6,505,637 B1 * 1/2003 Voorhees B62H 3/00
135/87

- 6,718,697 B2 * 4/2004 Voorhees B62H 3/00
135/87
- D492,243 S * 6/2004 Greene D12/410
- D578,058 S * 10/2008 Kea, Jr. D12/415
- 7,640,942 B2 * 1/2010 Chu E04H 6/04
135/132
- D619,387 S * 7/2010 Davenport D6/663
- D627,480 S * 11/2010 Pinke D25/18
- 7,966,774 B2 * 6/2011 Kea, Jr. B62H 3/00
52/66
- D691,549 S * 10/2013 Kara D12/402
- D707,966 S * 7/2014 Settelmayer D3/276
- D723,451 S * 3/2015 Depew, Jr. D12/402
- D760,148 S * 6/2016 Zwetzig D12/402
- D781,209 S * 3/2017 Houck D12/402
- D803,762 S * 11/2017 Greenblatt D12/402
- D816,586 S * 5/2018 Doughty D12/402
- D833,956 S * 11/2018 Xiao D12/402

(Continued)

Primary Examiner — Michelle E. Wilson

Assistant Examiner — Clese Moore, Jr.

(74) *Attorney, Agent, or Firm* — Jason T. Daniel, Esq.;
Daniel Law Offices, P.A.

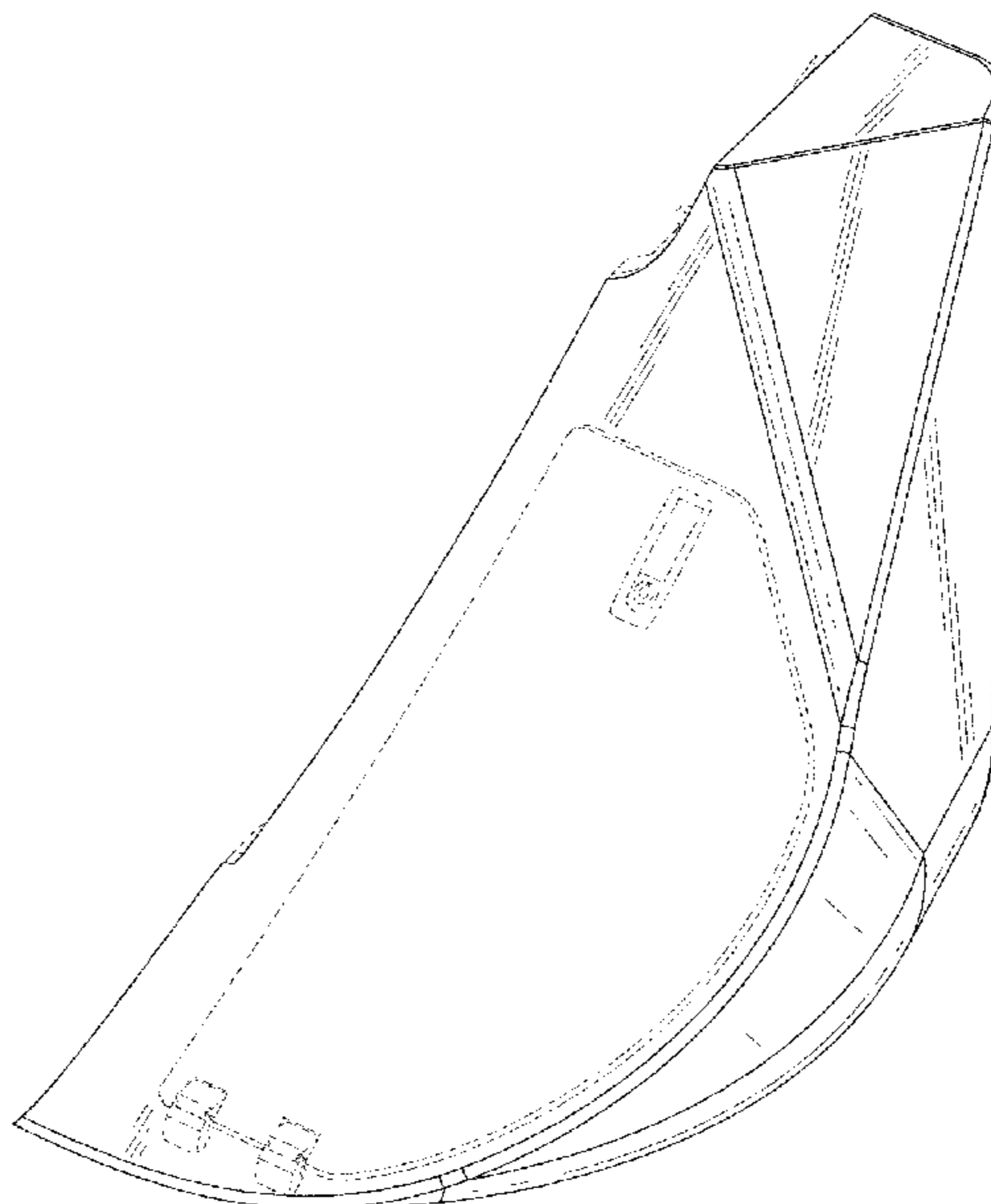
(57) **CLAIM**

The ornamental design for an auticycle storage pod, as shown and described.

DESCRIPTION

FIG. 1 is a front right perspective view thereof, FIG. 2 is a bottom rear perspective view thereof, FIG. 3 is a front elevational view thereof, FIG. 4 is a rear elevational view thereof, FIG. 5 is a top plan view thereof, FIG. 6 is a bottom plan view thereof, FIG. 7 is a right elevational view thereof; and, FIG. 8 is a left elevational view thereof. In the drawings, the broken lines are for the purpose of illustrating environment only and form no part of the claimed design.

1 Claim, 8 Drawing Sheets



(56)

References Cited

U.S. PATENT DOCUMENTS

2005/0102917 A1* 5/2005 Kofler E04H 6/005
52/79.1

* cited by examiner

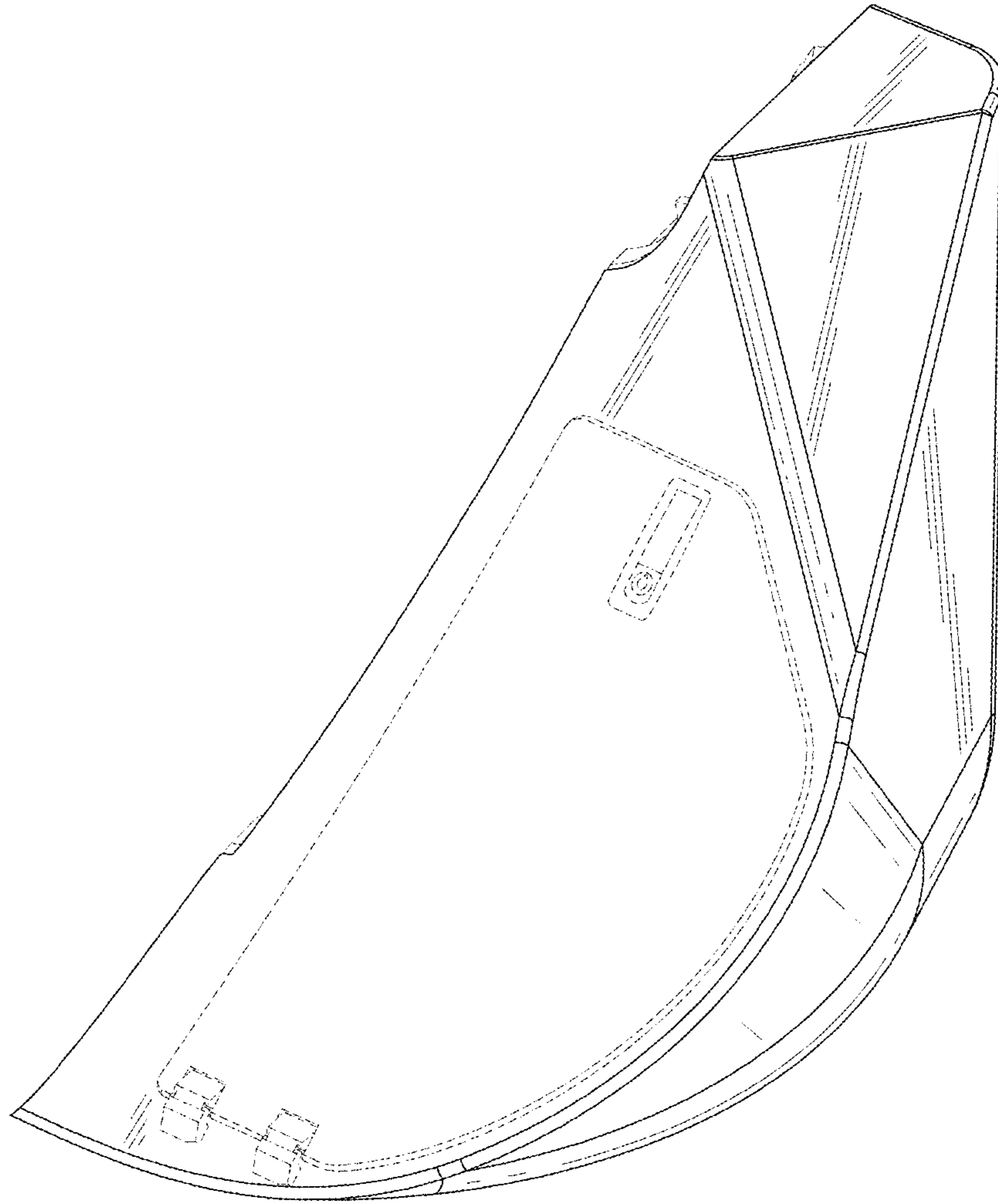


FIG. 1

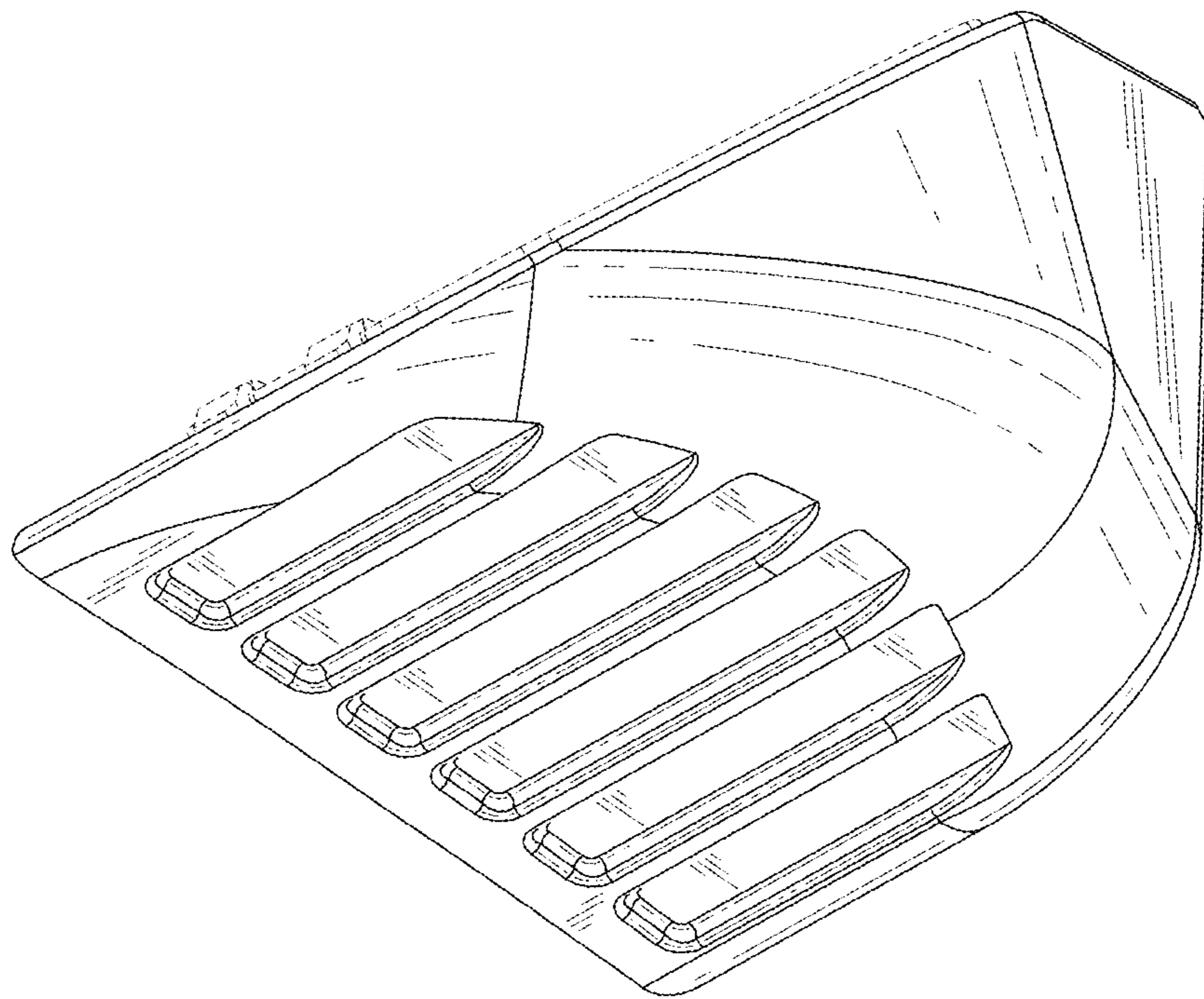


FIG. 2

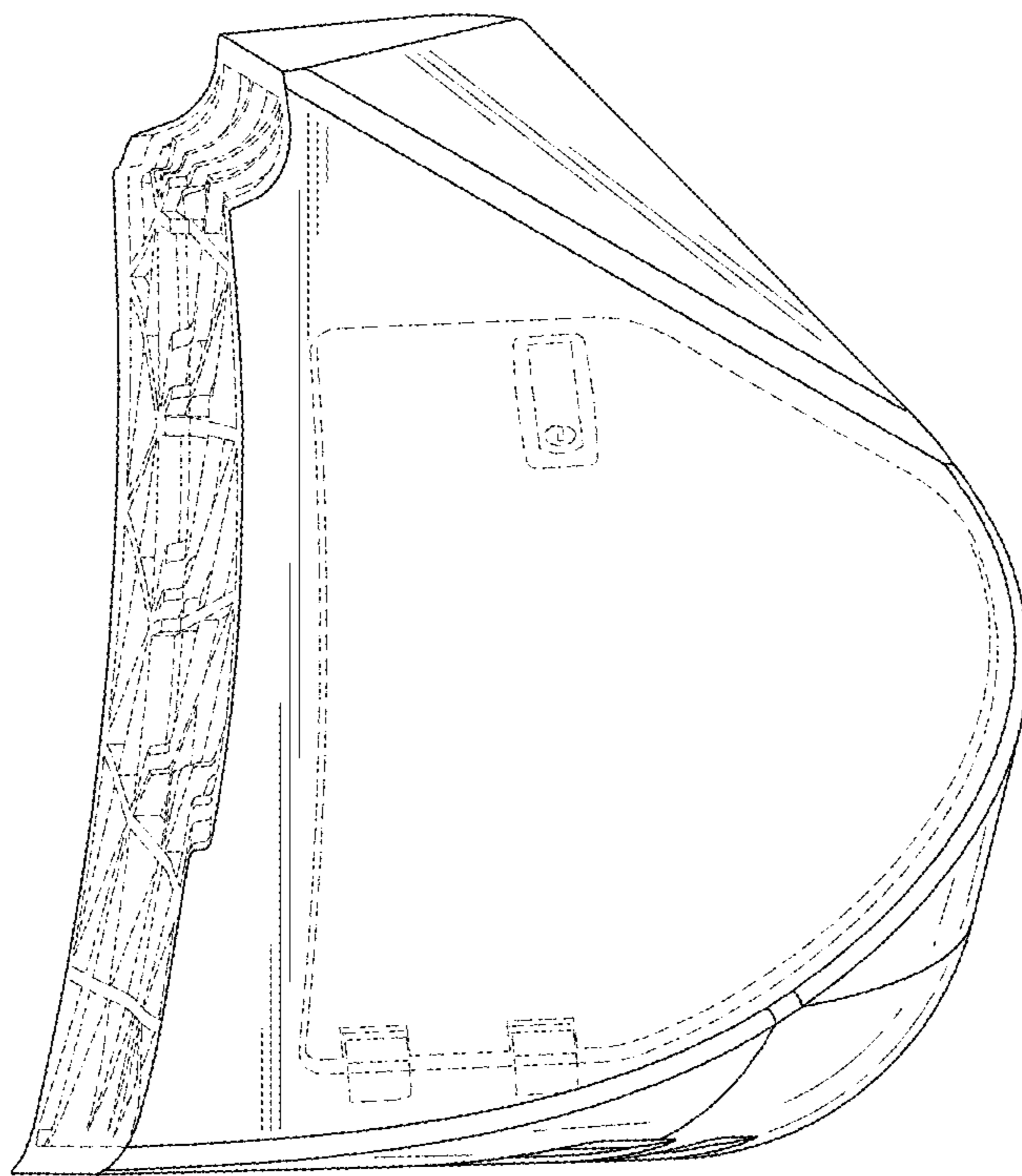


FIG. 3

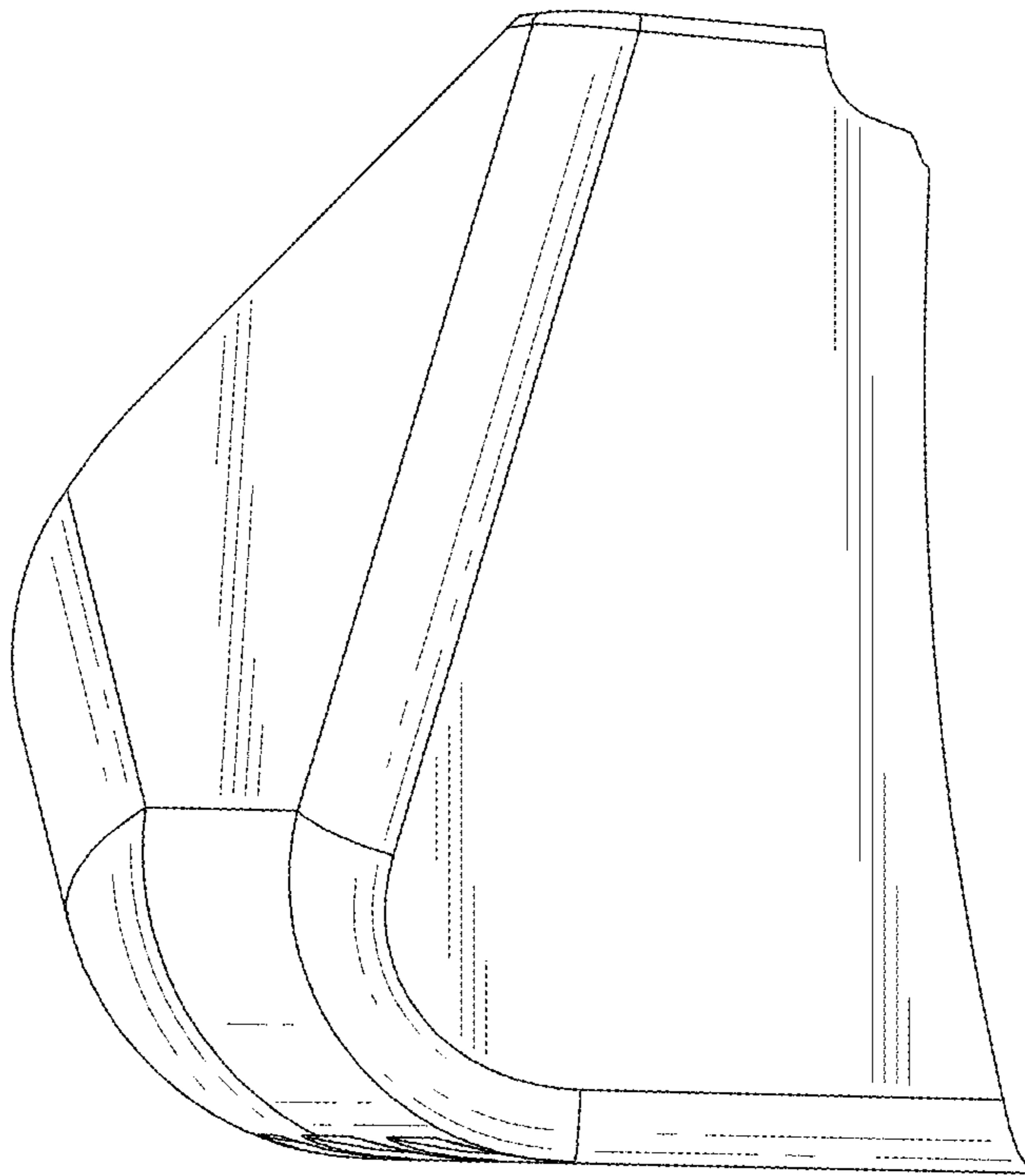


FIG. 4

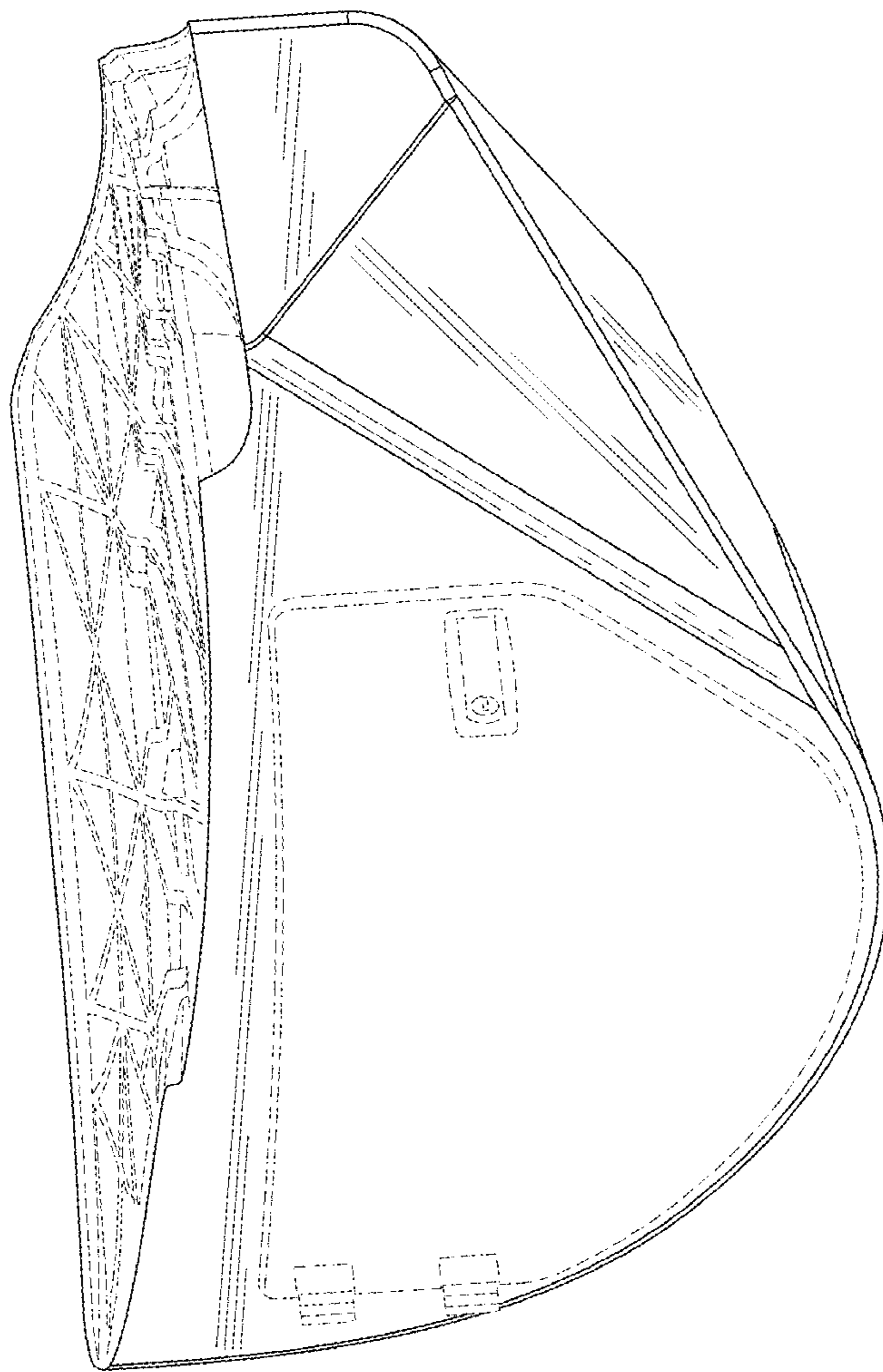


FIG. 5

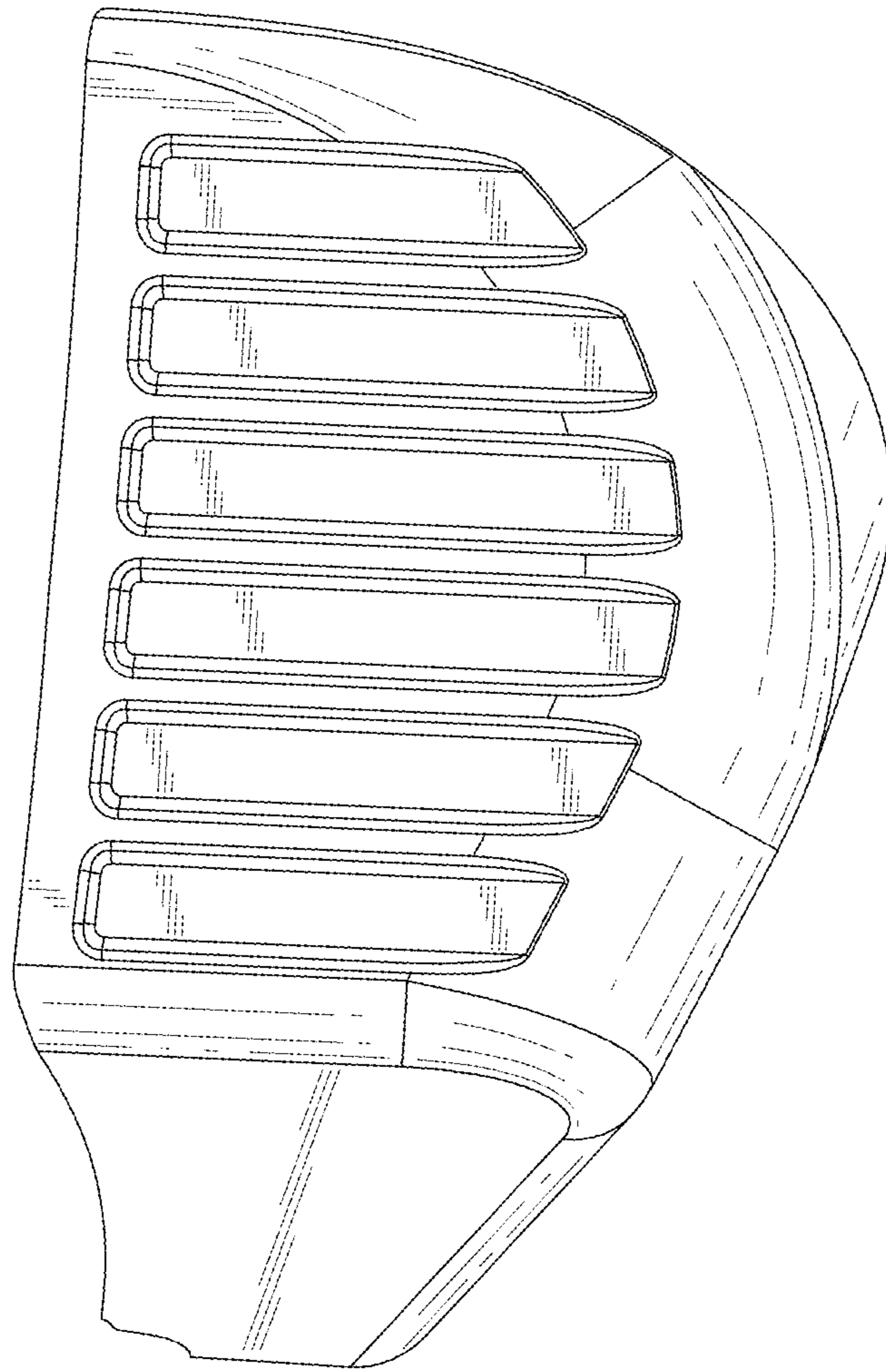


FIG. 6

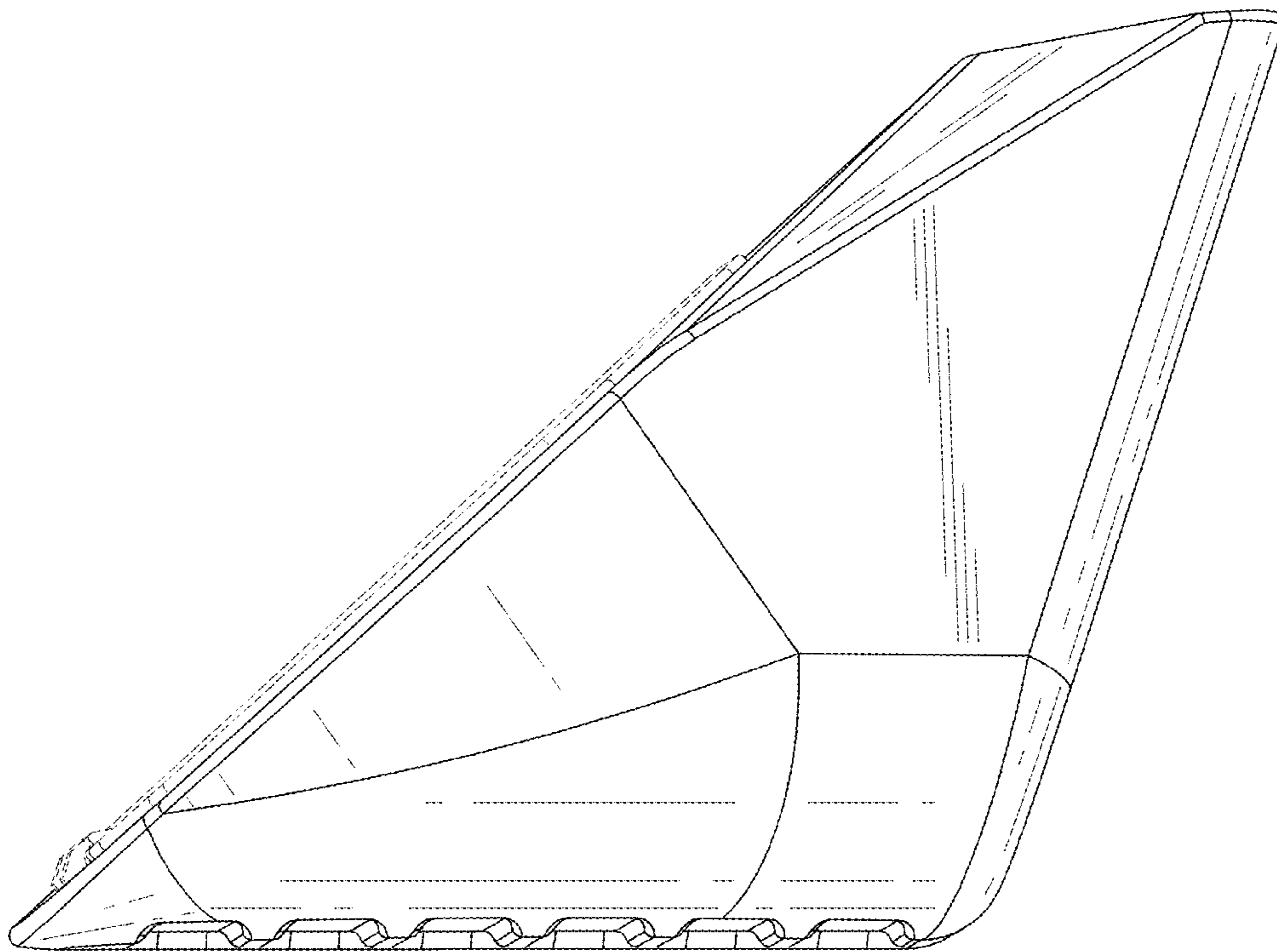


FIG. 7

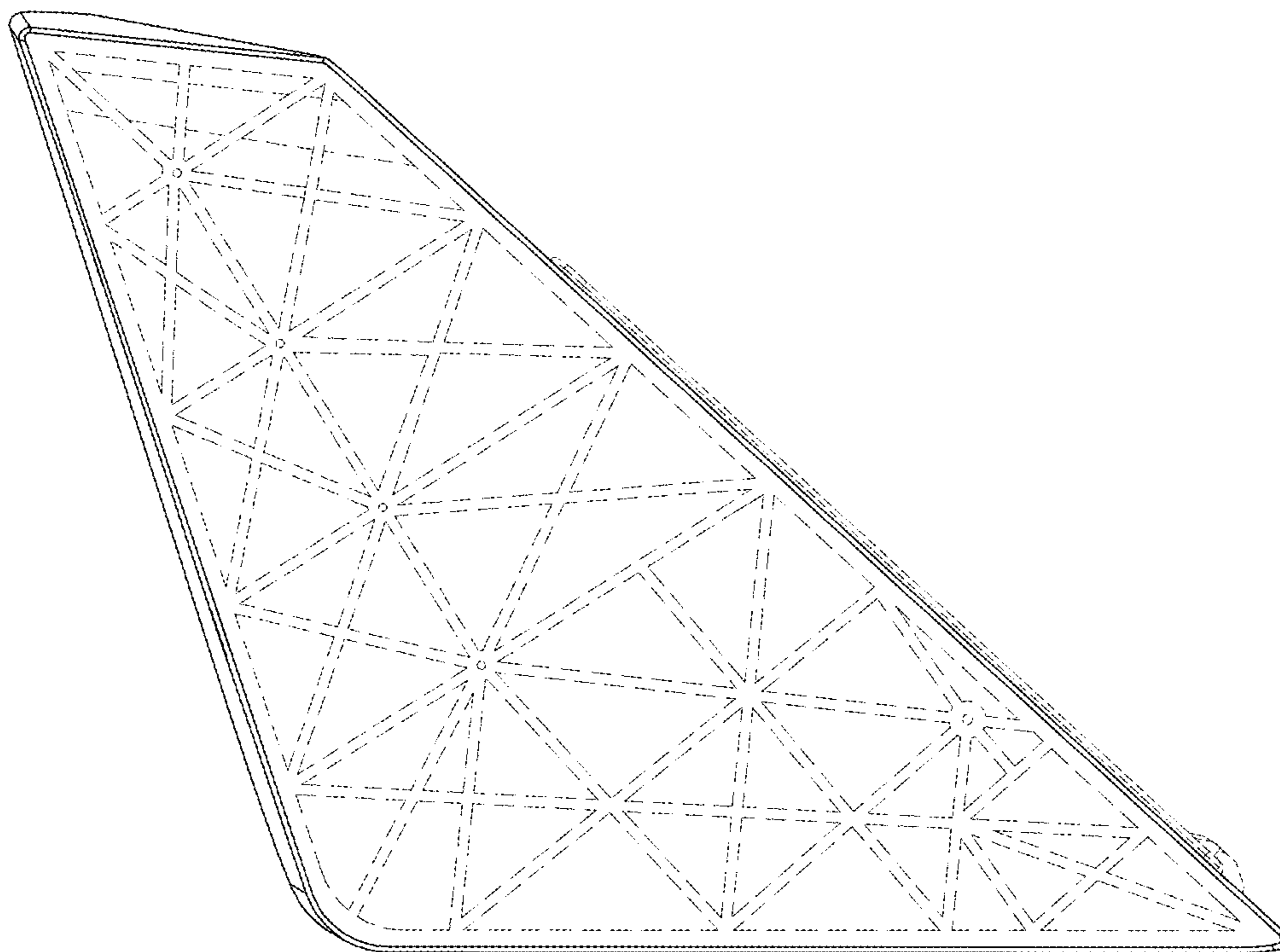


FIG. 8