



US00D892024S

(12) **United States Design Patent**  
**Li**

(10) **Patent No.:** **US D892,024 S**

(45) **Date of Patent:** **\*\* Aug. 4, 2020**

(54) **SPORT BAR**

(71) Applicant: **M2 Distribution Ltd.**, Port Coquitlam  
(CA)

(72) Inventor: **Ming Li**, Coquitlam (CA)

(73) Assignee: **M2 Distribution Ltd.**, Port Coquitlam  
(CA)

(\*\*) Term: **15 Years**

(21) Appl. No.: **29/683,662**

(22) Filed: **Mar. 14, 2019**

(51) **LOC (12) Cl.** ..... **12-16**

(52) **U.S. Cl.**  
USPC ..... **D12/222**

(58) **Field of Classification Search**  
USPC ..... D12/181, 222, 412, 406  
CPC .. B60P 3/10; B60P 3/40; B60P 3/1066; B60R  
2021/132; B61D 3/08; B62B 1/10; B62B  
5/0083; B62D 33/0207; B63C 13/00  
See application file for complete search history.

(56) **References Cited**

**U.S. PATENT DOCUMENTS**

- 3,193,851 A \* 7/1965 Fiebelkorn ..... B63C 13/00  
114/344
- 4,148,504 A \* 4/1979 Rushing ..... B60R 21/13  
182/153
- 4,171,141 A \* 10/1979 Hobrecht ..... B60R 21/13  
280/756
- 4,202,579 A \* 5/1980 Berggren ..... B60P 3/32  
280/756
- D257,673 S \* 12/1980 Milton ..... D12/222
- 4,795,188 A \* 1/1989 Dueker ..... B60R 21/13  
280/756
- 4,854,628 A \* 8/1989 Halberg ..... B60P 1/00  
296/3

5,000,480 A \* 3/1991 Straka ..... B60Q 1/2611  
280/756

5,061,000 A \* 10/1991 Haugen ..... B60P 3/42  
285/404

D360,614 S \* 7/1995 Alcocer ..... D12/412  
(Continued)

**OTHER PUBLICATIONS**

Tyger Auto TG-SB7C88138, www.tygerauto.com [online]. pub-  
lished on or before Apr. 3, 2020, [retrieved on Apr. 3, 2020].  
Retrieved from the Internet: <URL:https://www.tygerauto.com/i-  
50664-tyger-auto-tg-sb7c88138-sport-bar-fil> (Year: 2020).\*

(Continued)

*Primary Examiner* — Karen E Kearney

*Assistant Examiner* — Adam C Mager

(74) *Attorney, Agent, or Firm* — Eric J. Sosenko;  
Jonathan P. O'Brien; Honigman LLP

(57) **CLAIM**

The ornamental design for a sport bar, as shown and  
described.

**DESCRIPTION**

FIG. 1 is a perspective view of a sport bar according to the  
new design;

FIG. 2 is a front view of the sport bar seen in FIG. 1;

FIG. 3 is a back view of the sport bar seen in FIG. 1;

FIG. 4 is a left side view of the sport bar seen in FIG. 1;

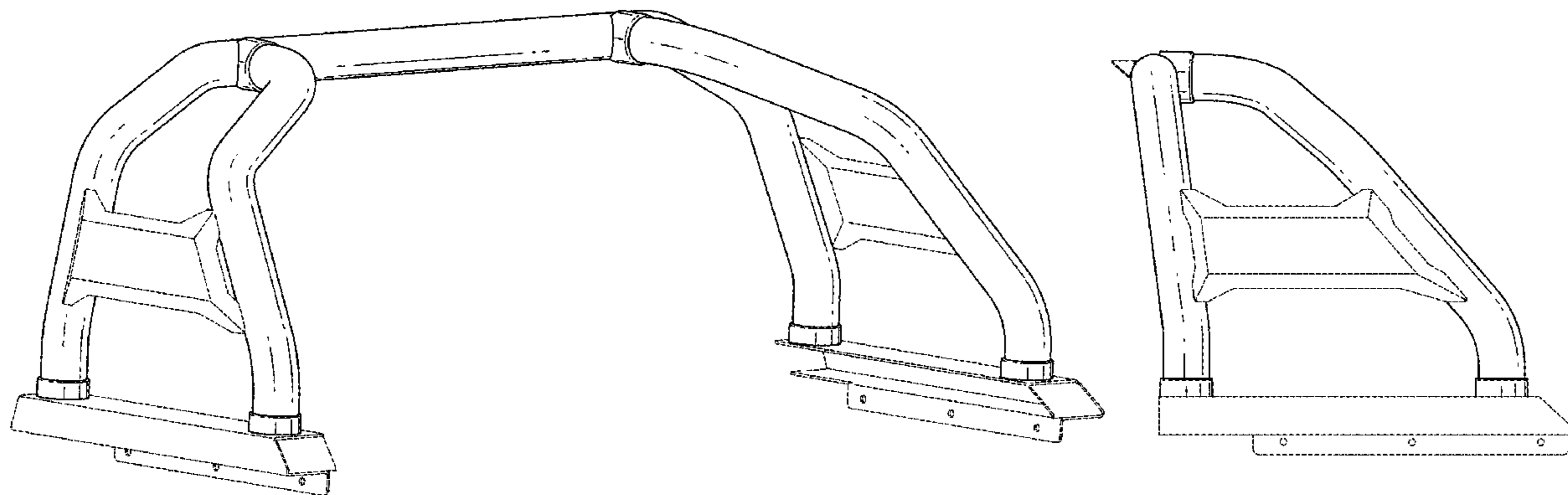
FIG. 5 is a right side view of the sport bar seen in FIG. 1;

FIG. 6 is a top view of the sport bar seen in FIG. 1; and,

FIG. 7 is a bottom side view of the sport bar seen in FIG. 1.

In the drawings, the broken lines depict environmental  
subject matter only and form no part of the claimed design.  
Shade lines having a combination of long and short lines in  
the drawings show contour and not surface ornamentation.

**1 Claim, 6 Drawing Sheets**



(56)

**References Cited**

## U.S. PATENT DOCUMENTS

5,622,382 A \* 4/1997 Zepnik ..... B60R 21/13  
280/756  
5,718,454 A \* 2/1998 Harrod ..... B60R 21/13  
280/756  
D399,476 S \* 10/1998 Duncan ..... D12/222  
D579,853 S \* 11/2008 Stark ..... D12/414  
8,915,520 B2 \* 12/2014 Mantovani ..... B60R 13/04  
280/756  
D845,869 S \* 4/2019 Wymore ..... D12/222  
D861,575 S \* 10/2019 Tang ..... D12/406

## OTHER PUBLICATIONS

Silverado 1500 Sport Bar, [www.americantrucks.com](http://www.americantrucks.com) [online]. published on or before Apr. 3, 2020, [retrieved on Apr. 3, 2020]. Retrieved from the Internet: <URL:<https://www.americantrucks.com/go-rhino-sport-bar-20-roll-bar-w-power-actuated-retractable-light>> (Year: 2020).\*

Ram Roll Bar, [www.americantrucks.com](http://www.americantrucks.com) [online]. published on or before Apr. 3, 2020, [retrieved on Apr. 3, 2020]. Retrieved from the Internet: <URL:<https://www.americantrucks.com/black-horse-off-road-roll-bar-stainless-0917-w-o-ram-box.html>> (Year: 2020).\*

\* cited by examiner

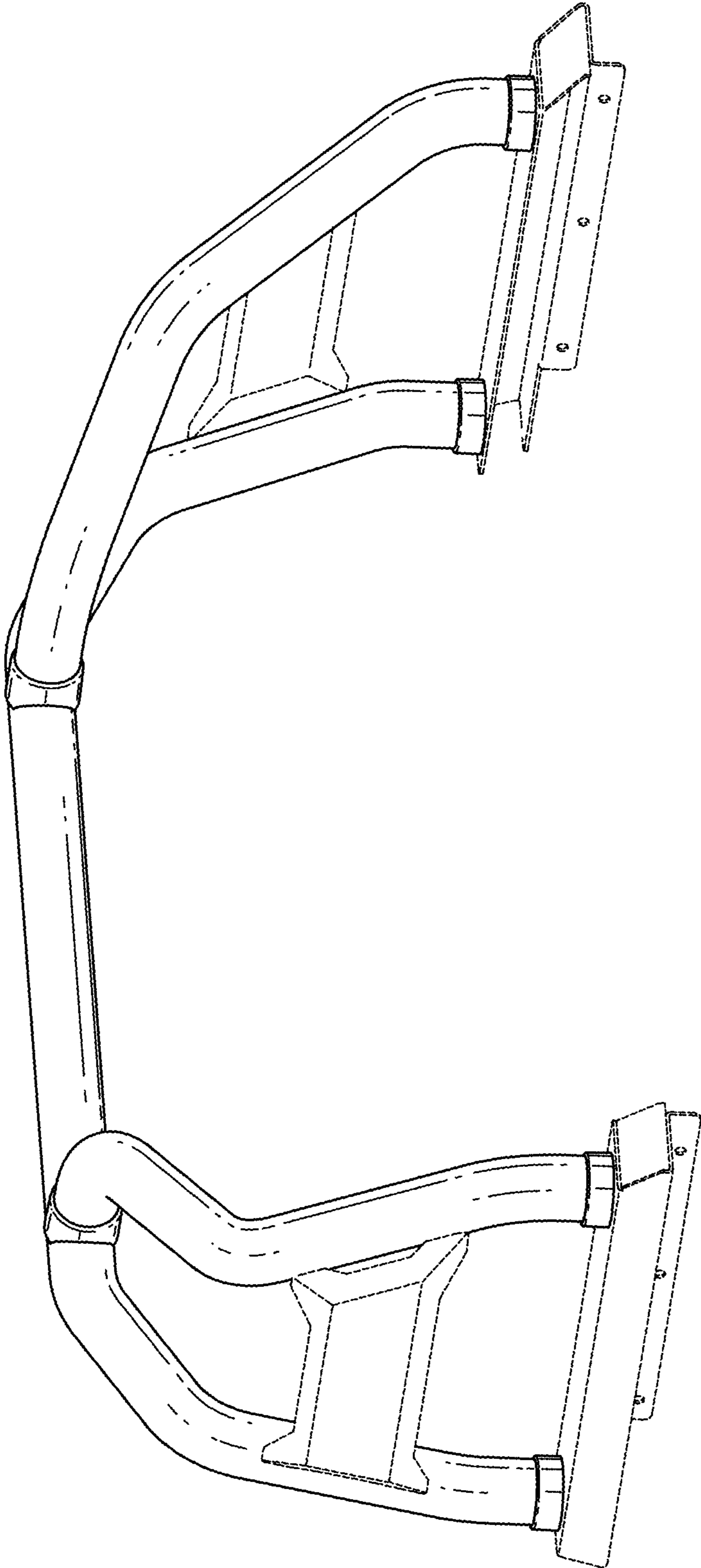
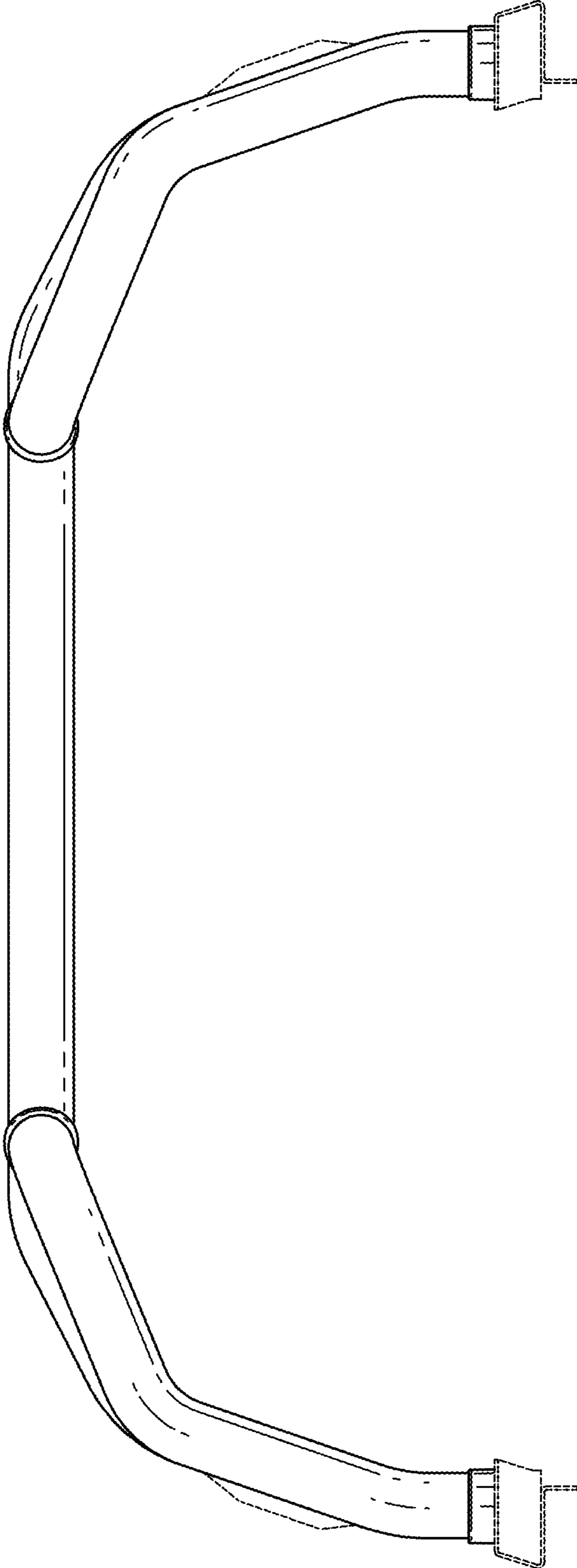


FIG. 1



**FIG. 2**

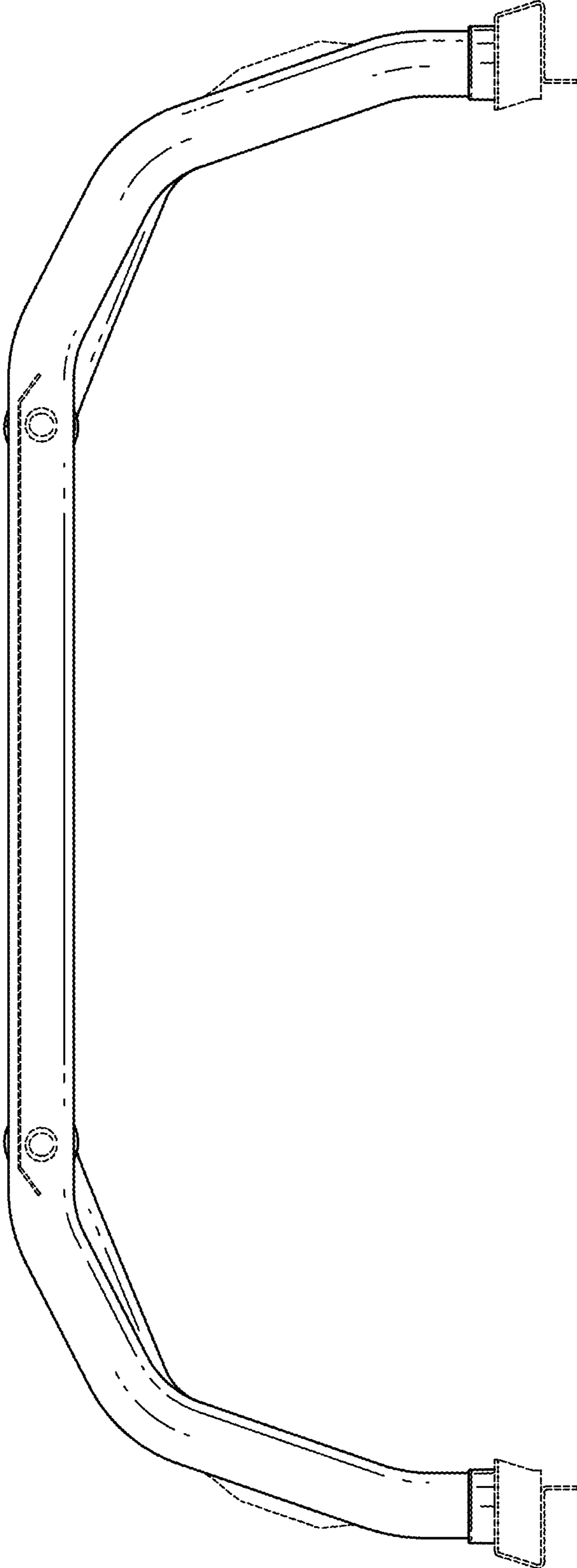


FIG. 3

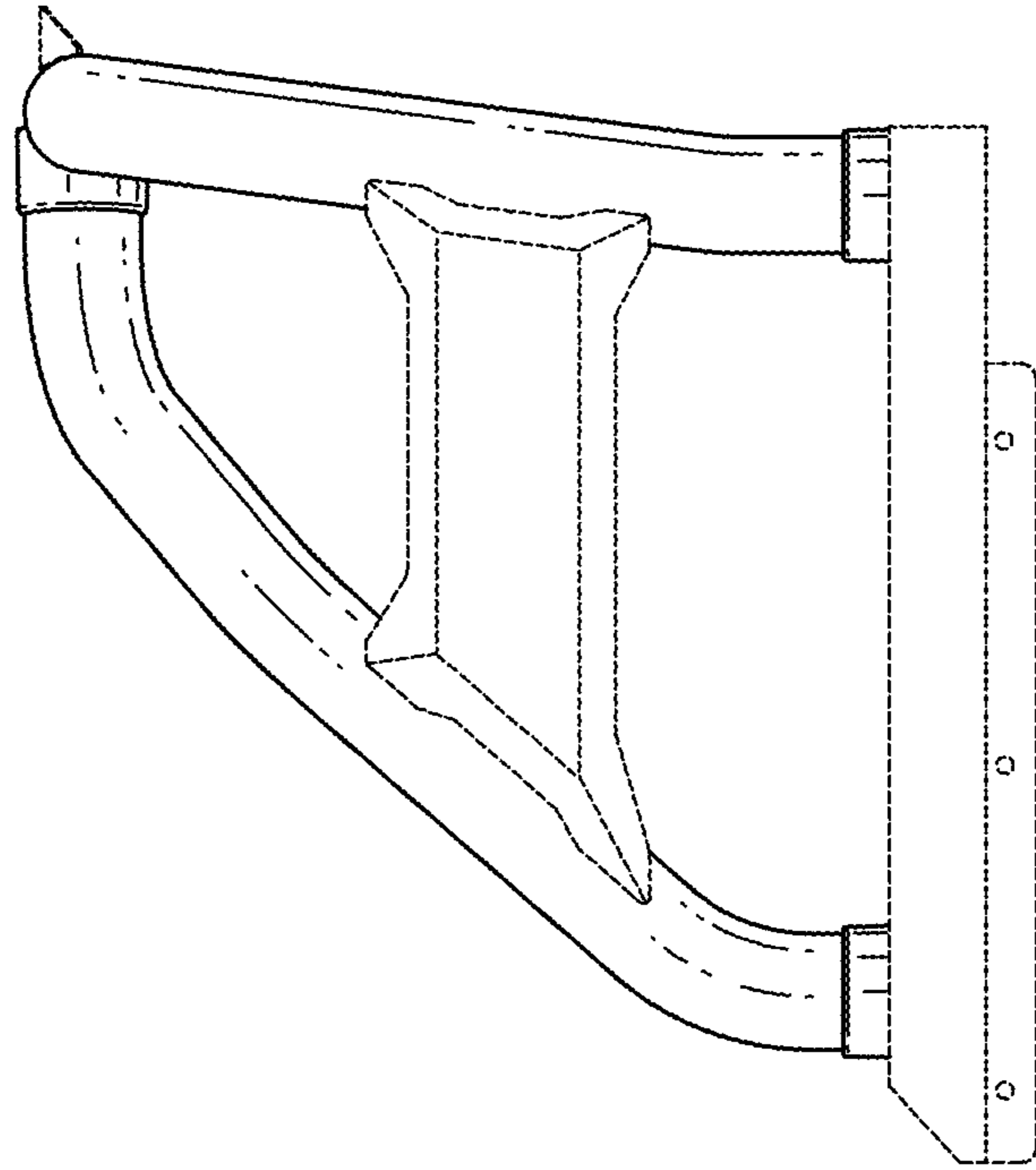


FIG. 5

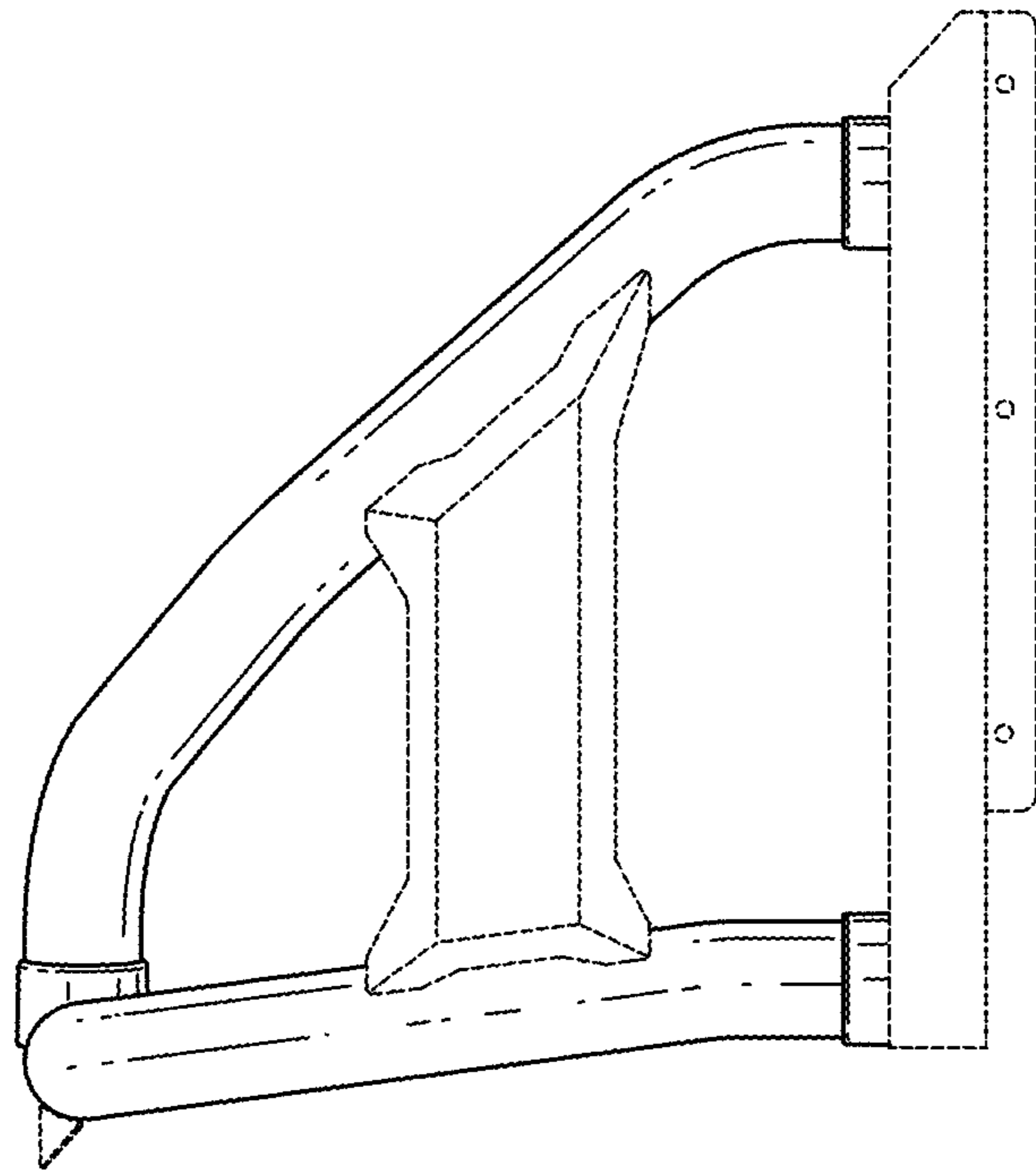


FIG. 4

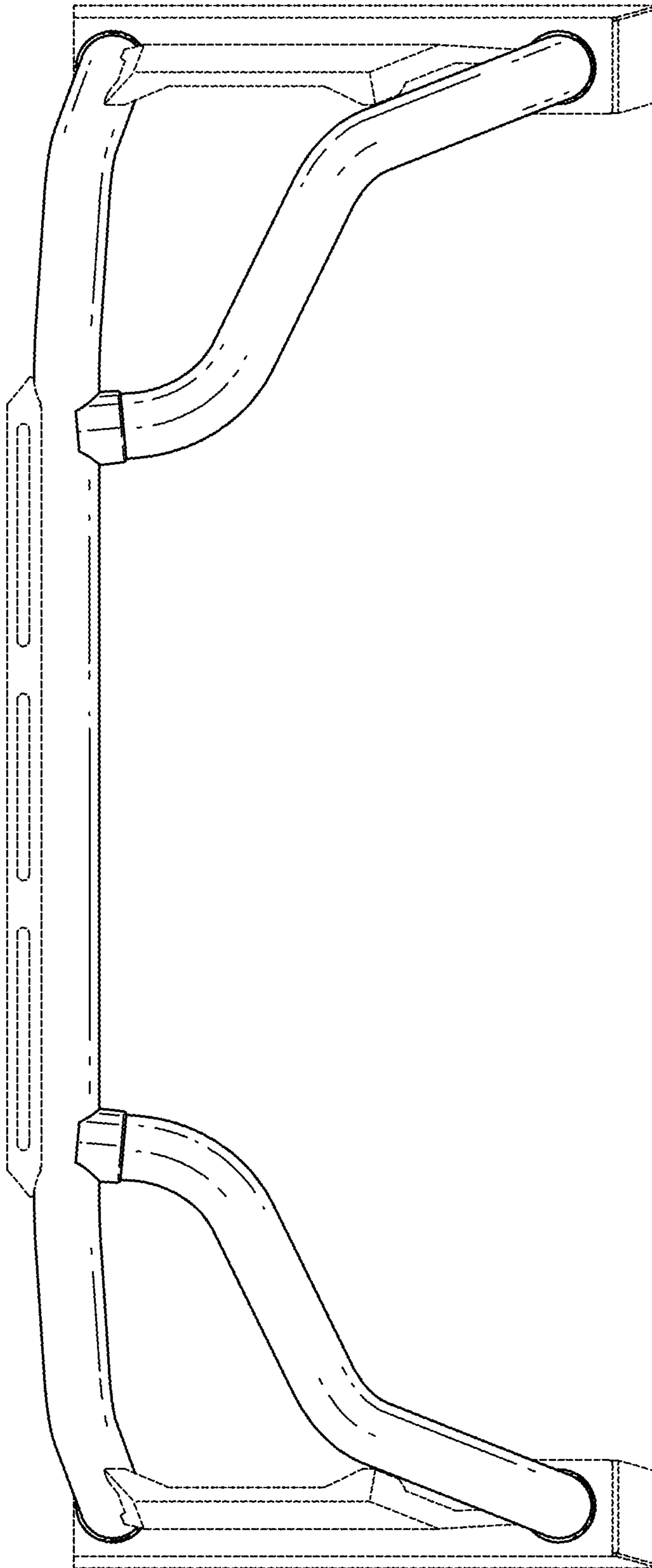


FIG. 6

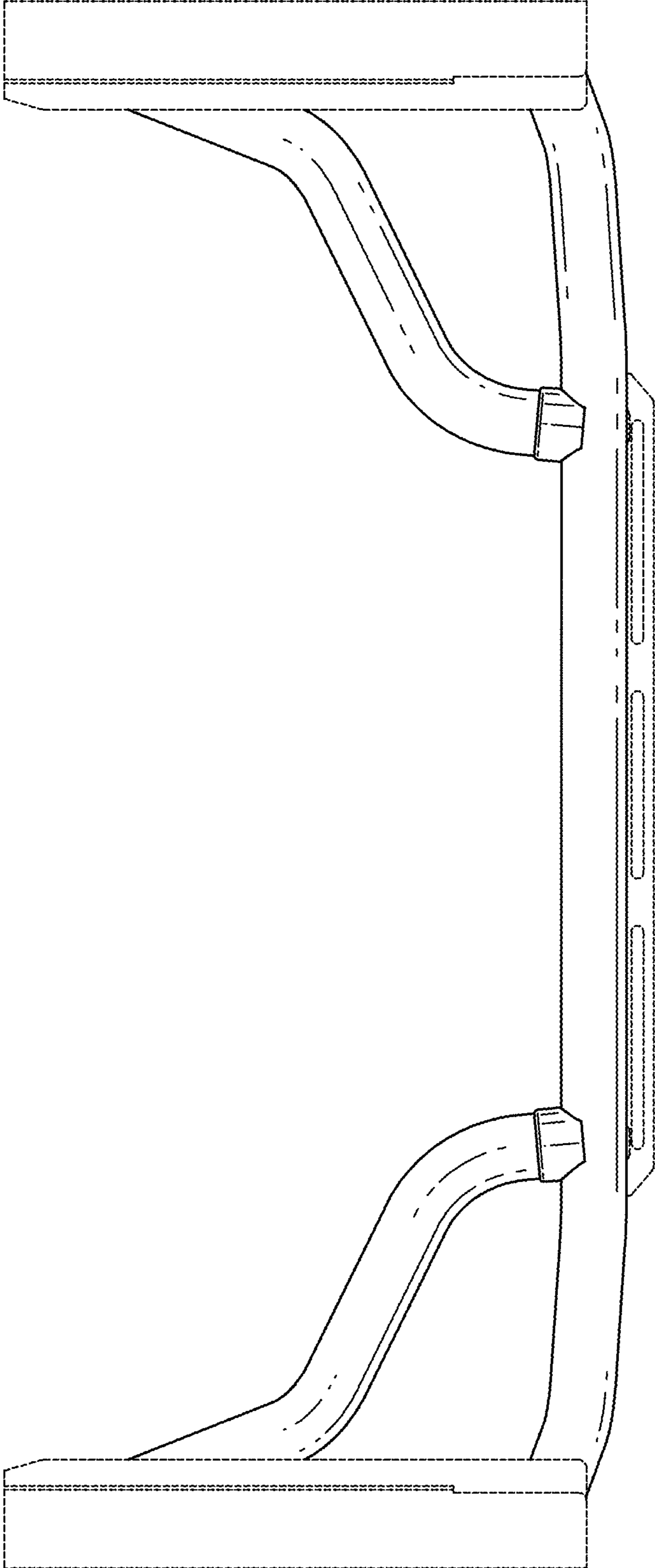


FIG. 7