



US00D892023S

(12) **United States Design Patent** (10) **Patent No.:** **US D892,023 S**  
**Price et al.** (45) **Date of Patent:** **\*\* Aug. 4, 2020**

(54) **VEHICLE FLOOR MAT**  
(71) Applicant: **THERMOFLEX CORP.**, Waukegan, IL (US)  
(72) Inventors: **Robert Price**, Mettawa, IL (US); **Richard J. Page**, Lake Villa, IL (US)  
(73) Assignee: **THERMOFLEX CORP.**, Waukegan, IL (US)  
(\*\*) Term: **15 Years**  
(21) Appl. No.: **29/683,260**  
(22) Filed: **Mar. 12, 2019**  
(51) **LOC (12) Cl.** ..... **12-16**  
(52) **U.S. Cl.**  
USPC ..... **D12/221**  
(58) **Field of Classification Search**  
USPC .... D12/221, 98; D9/431-433, 44, 420, 422, D9/423, 424  
CPC .. B60R 99/00; B60R 5/00; B60R 7/04; B60N 2/30  
See application file for complete search history.

D821,955 S \* 7/2018 Dexter ..... D12/221  
D852,717 S \* 7/2019 Champney ..... D12/221  
D852,718 S \* 7/2019 Champney ..... D12/221

**FOREIGN PATENT DOCUMENTS**

JP 1534911 10/2015

**OTHER PUBLICATIONS**

“https://accessories.ford.com/interior/floor-mats/kit-floor-contour-mat-11433.html”, printed Feb. 25, 2019.  
Honda Access Corporation, Website (Publicly known document No. HJ24018610 of JPO Design Division), Jul. 20, 2012.  
Honda Access Corporation, Website (Publicly known document No. HJ21054001 of JPO Design Division), dated Jan. 15, 2020.

\* cited by examiner

*Primary Examiner* — Katrina A Betton  
(74) *Attorney, Agent, or Firm* — Grossman, Tucker, Perreault & Pflieger, PLLC

(57) **CLAIM**

The ornamental design for a vehicle floor mat, as shown and described.

**DESCRIPTION**

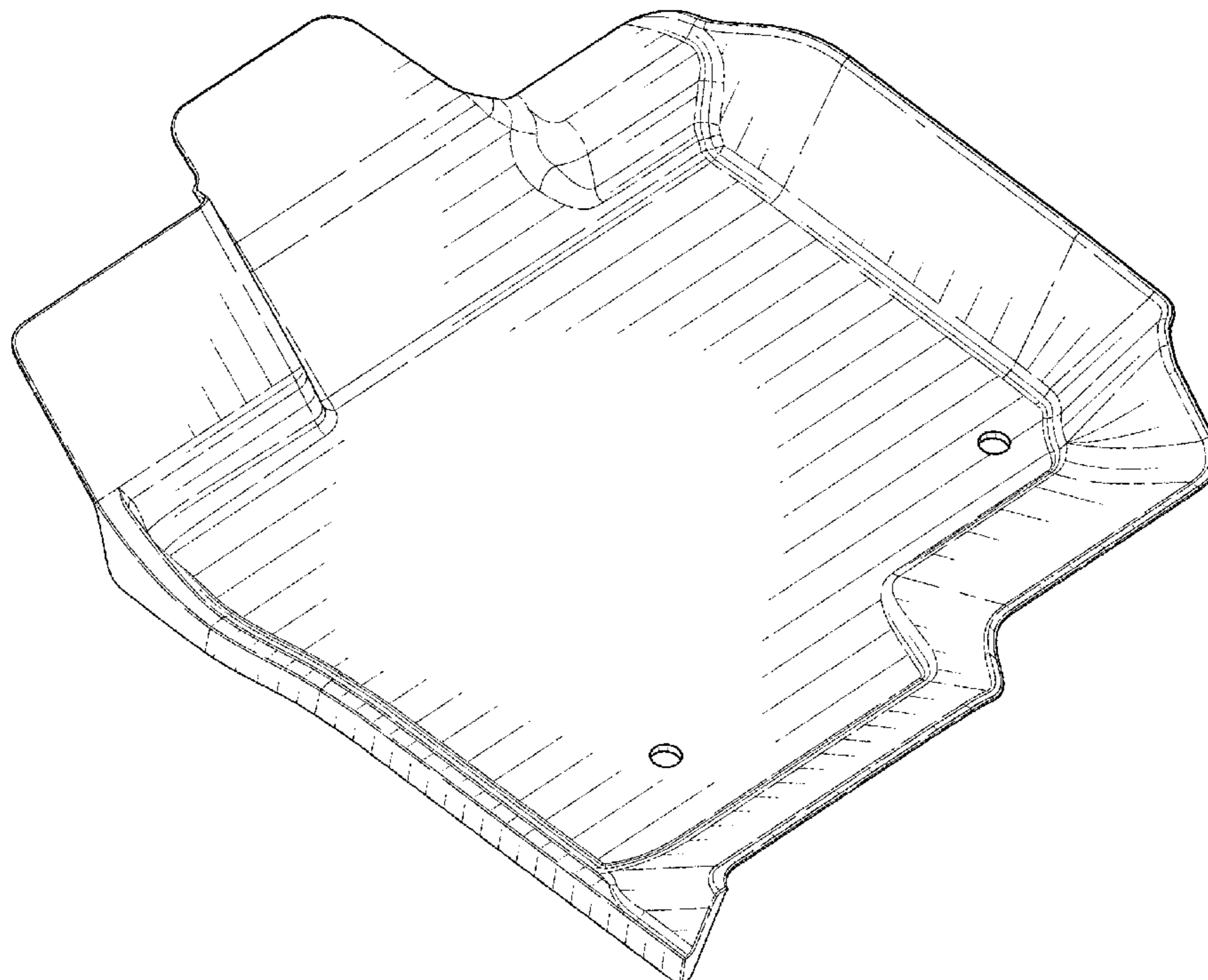
FIG. 1 is a perspective view of the vehicle floor mat, according to one variant;  
FIG. 2 is a top view thereof;  
FIG. 3 is a bottom view thereof;  
FIG. 4 is a left view thereof;  
FIG. 5 is a right view thereof;  
FIG. 6 is a front view thereof; and,  
FIG. 7 is a rear view thereof.

**1 Claim, 5 Drawing Sheets**

(56) **References Cited**

**U.S. PATENT DOCUMENTS**

D483,314 S \* 12/2003 Graves ..... D12/221  
D488,764 S \* 4/2004 Sierakowski ..... D12/221  
D537,770 S \* 3/2007 Yamazaki ..... D12/221  
D718,697 S \* 12/2014 Koblenzer ..... D12/221  
D761,185 S \* 7/2016 Coyle ..... D12/221  
D798,796 S \* 10/2017 Yang ..... D12/331  
D820,188 S \* 6/2018 Hanson ..... D12/221



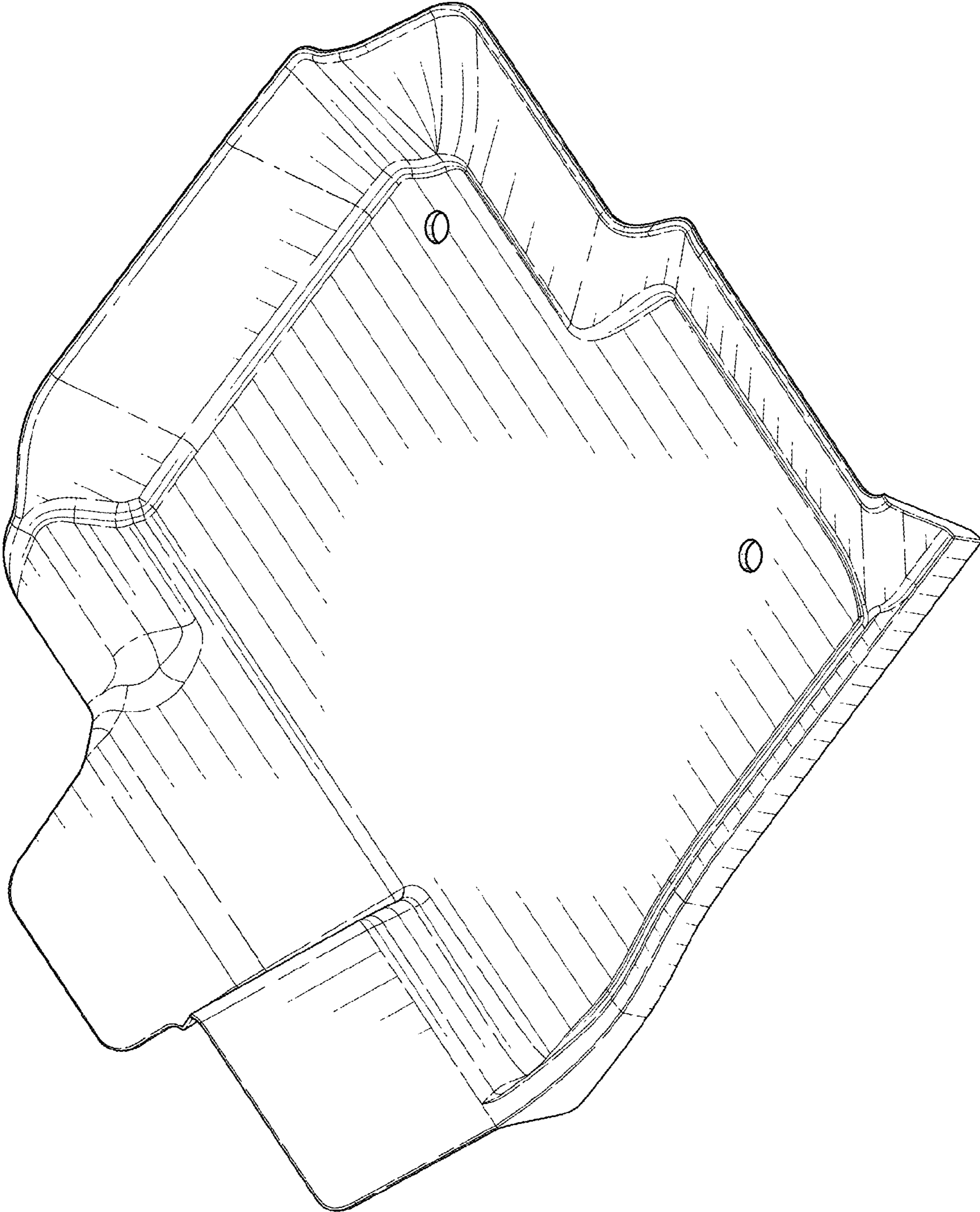


FIG. 1

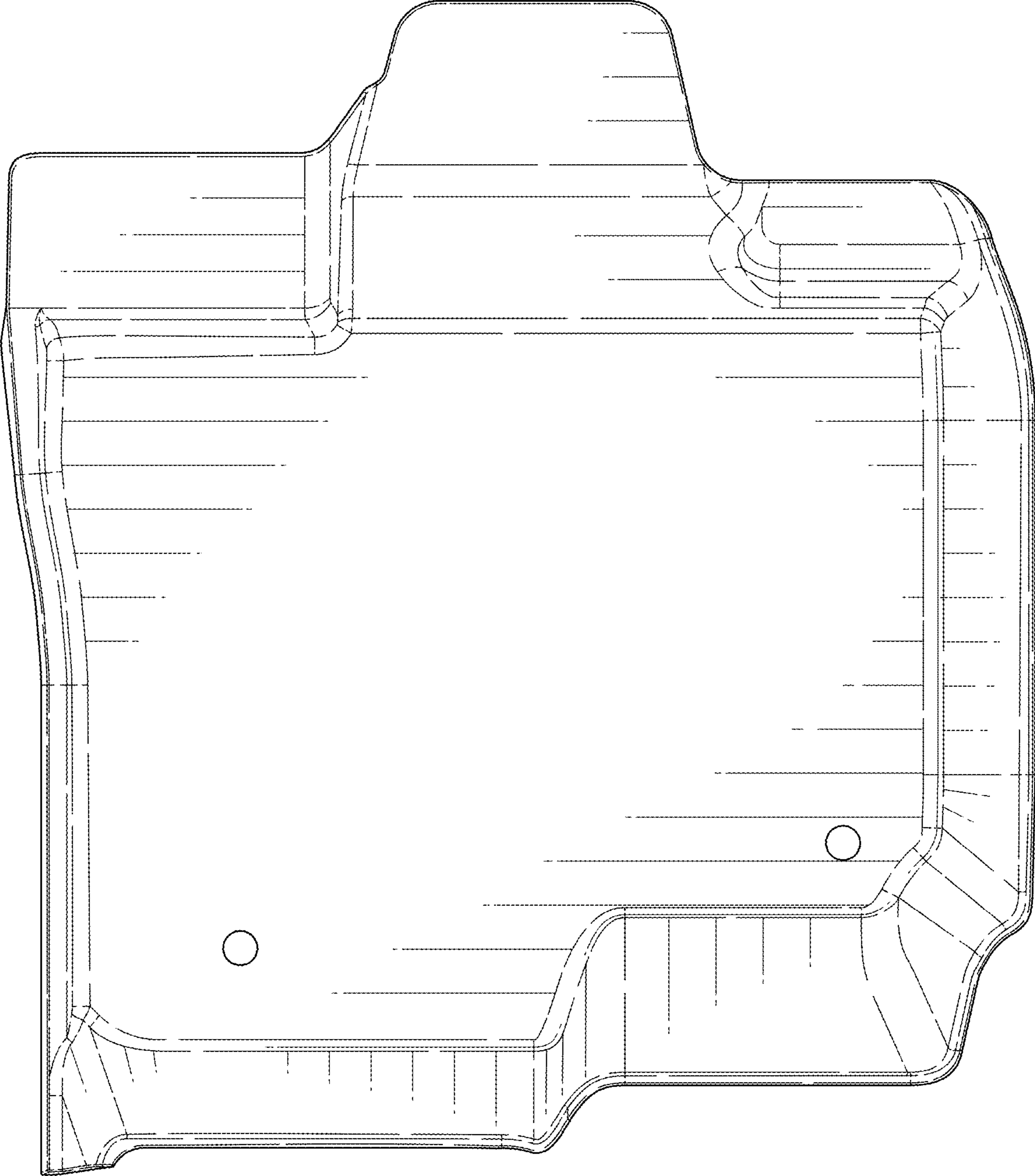


FIG. 2

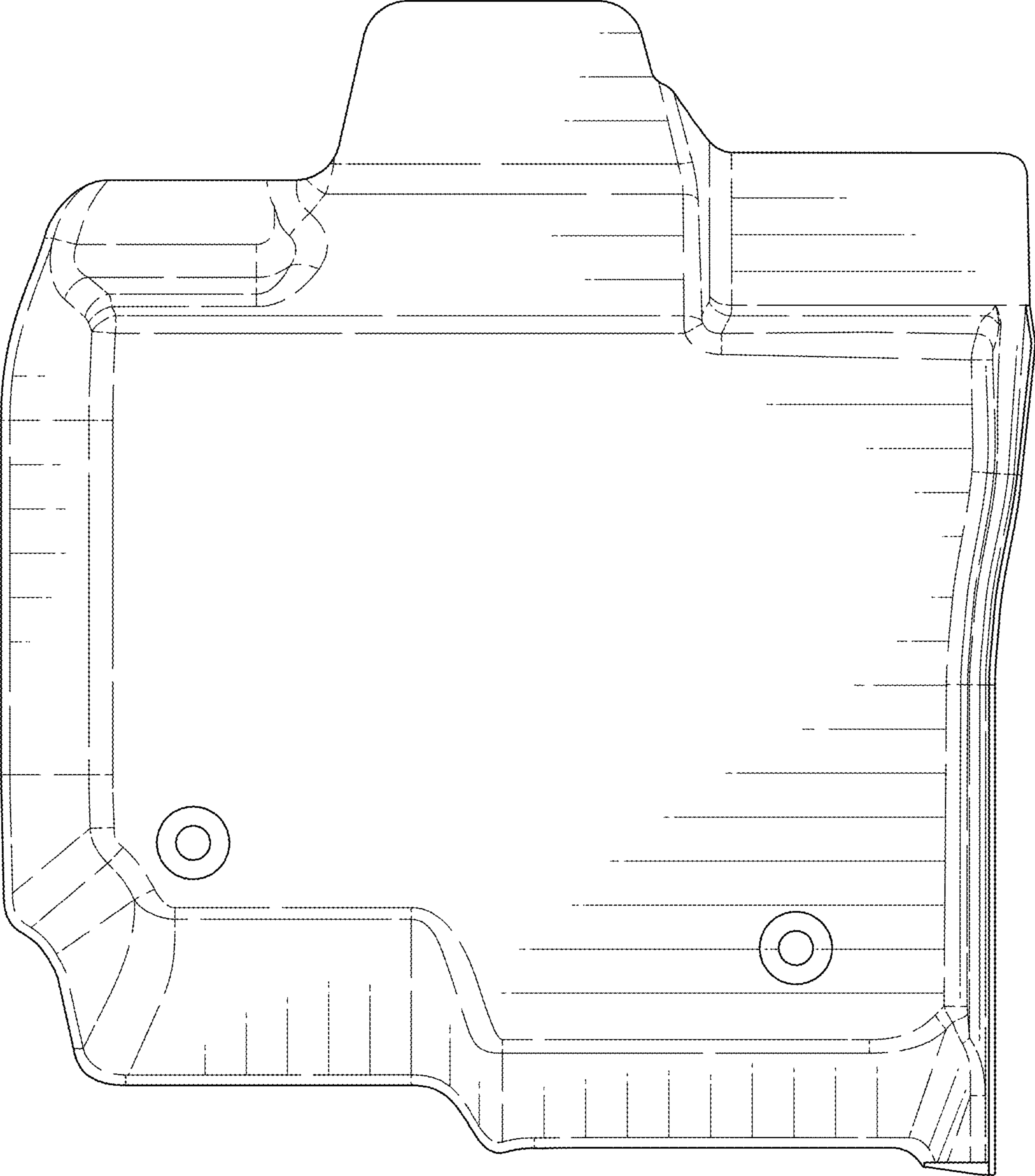


FIG. 3

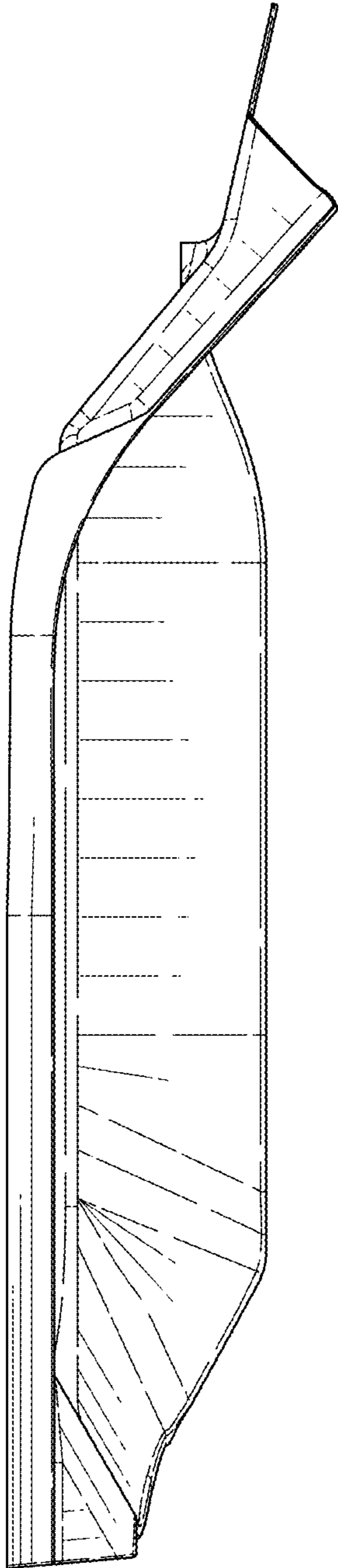


FIG. 4

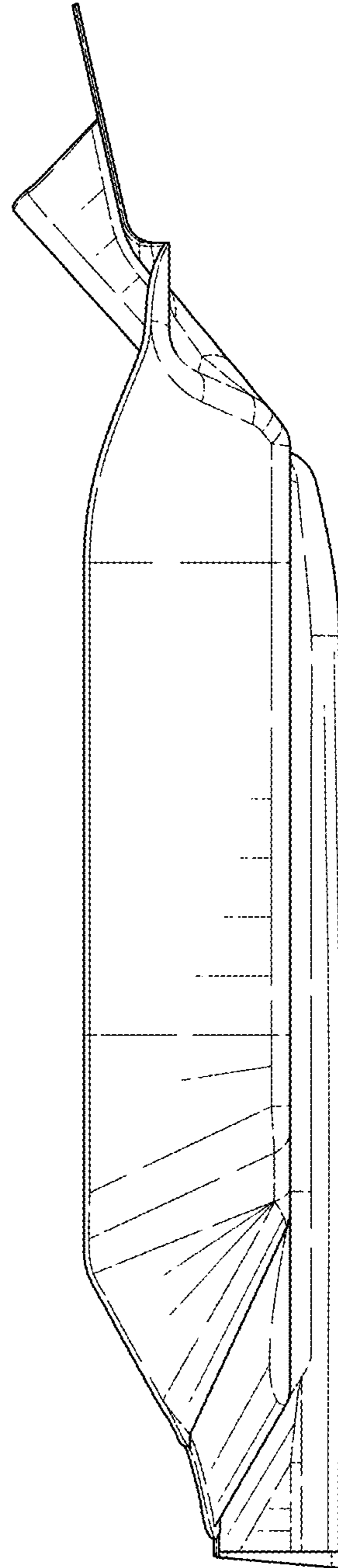


FIG. 5

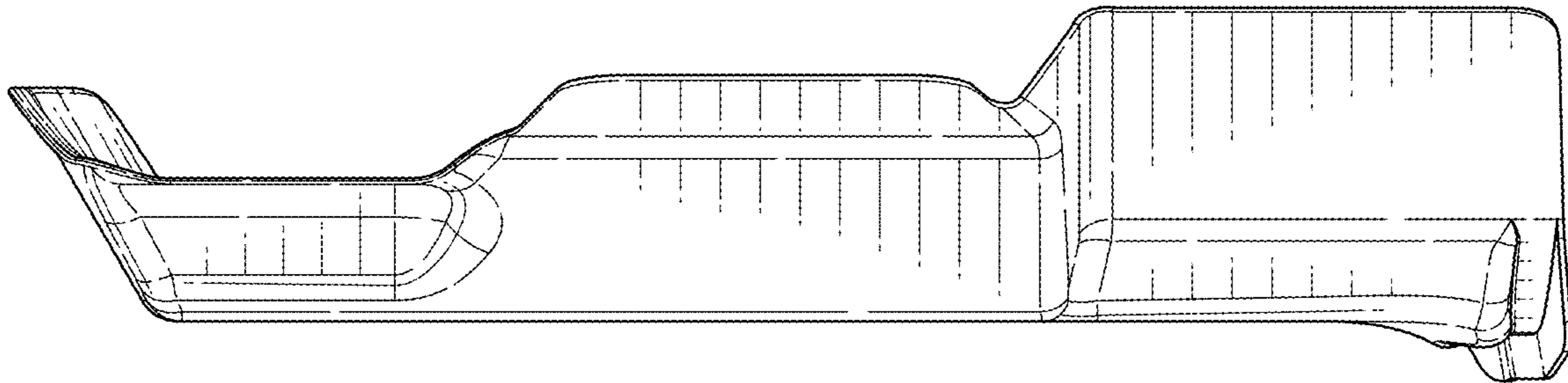


FIG. 6

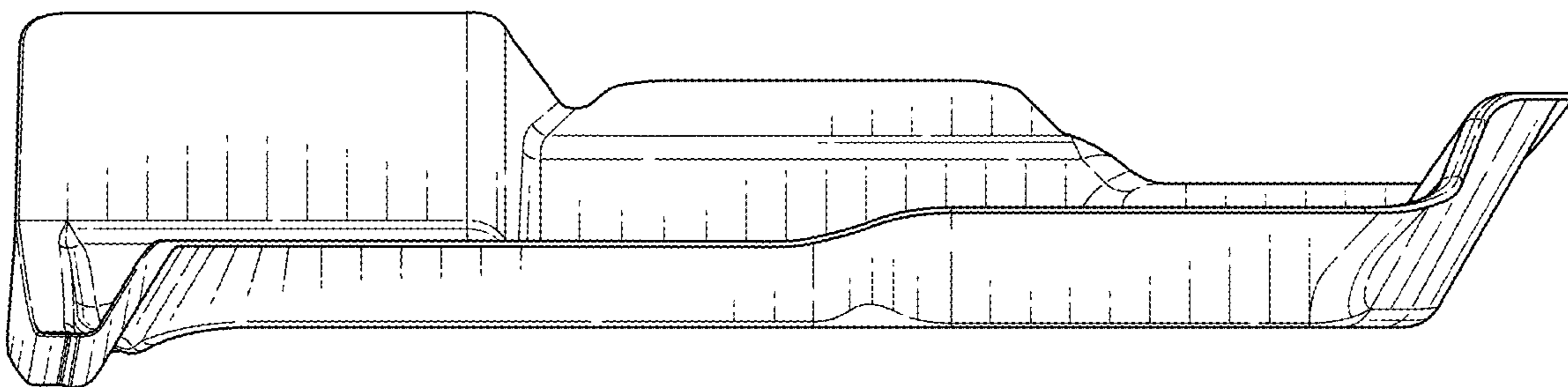


FIG. 7