



US00D892022S

(12) **United States Design Patent**
Kim et al.

(10) **Patent No.:** **US D892,022 S**

(45) **Date of Patent:** **** Aug. 4, 2020**

(54) **AIR SPOILER FOR A WINDSHIELD WIPER**

D688,617 S * 8/2013 An D12/219
D692,819 S * 11/2013 Tolentino D12/220
D695,673 S * 12/2013 Kim D12/219

(71) Applicant: **ADM21 Co., Ltd.**,
Chungcheongnam-do (KR)

(Continued)

(72) Inventors: **Kyungsu Kim**, Chung Nam (KR);
Kyungjong Nam, Chung Nam (KR);
Sangwoo Kim, Chung Nam (KR)

Primary Examiner — Susan E Krakower

Assistant Examiner — Jerry Shiuan-Hua Hsu

(74) *Attorney, Agent, or Firm* — Sandberg Phoenix & von Gontard, P.C.

(73) Assignee: **SM INDUSTRY CO., LTD.**
AUTOMOTIVE DIVISION, Chung
Nam (KR)

(57) **CLAIM**

The ornamental design for an air spoiler for a windshield wiper, as shown and described.

DESCRIPTION

(**) Term: **15 Years**

(21) Appl. No.: **29/661,667**

(22) Filed: **Aug. 29, 2018**

(51) **LOC (12) Cl.** **12-16**

(52) **U.S. Cl.**
USPC **D12/219**

(58) **Field of Classification Search**
USPC D12/187, 219, 220; 15/246, 247,
15/250.001, 250.4, 250.361, 250.19,
15/250.38, 250.48, 250.03, 250.31,
15/250.32, 250.33, 250.351, 250.201,
15/250.451, 250.458, 250.04, 250.07,
15/250.44
CPC B60S 1/0447
See application file for complete search history.

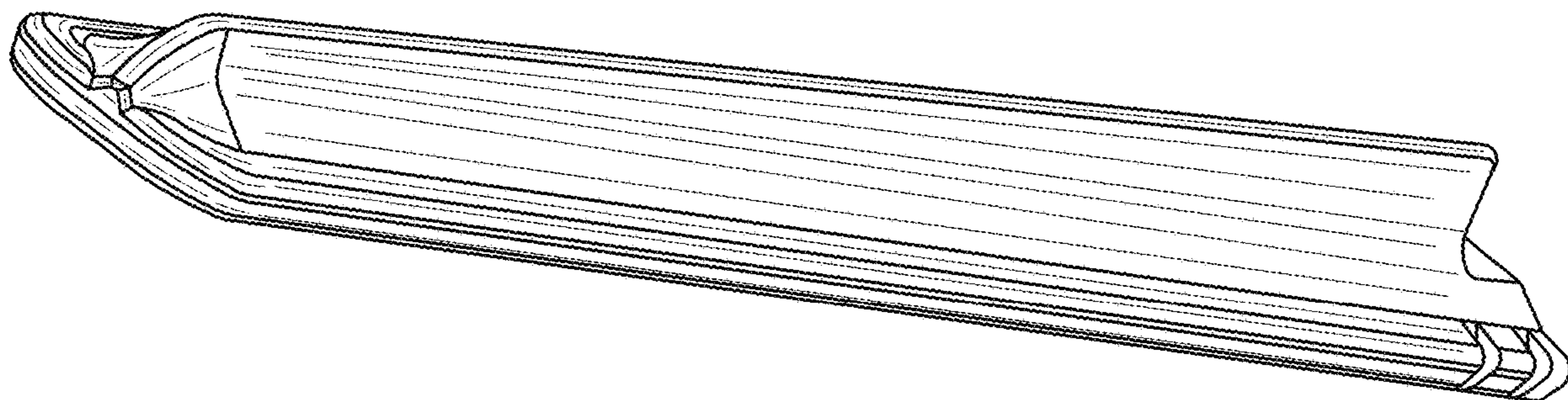
FIG. 1 is a front perspective view of a first embodiment of an air spoiler for a windshield wiper, showing our new design;
FIG. 2 is a rear perspective view thereof;
FIG. 3 is a left side elevational view thereof, enlarged for ease of illustration;
FIG. 4 is a right side elevational view thereof, enlarged for ease of illustration;
FIG. 5 is a top plan view thereof;
FIG. 6 is a bottom plan view thereof;
FIG. 7 is a front elevational view thereof; the back elevational views being a mirror image thereof;
FIG. 8 is a front perspective view of a second embodiment of an air spoiler for a windshield wiper, showing our new design;
FIG. 9 is a rear perspective view thereof;
FIG. 10 is a left side elevational view thereof, enlarged for ease of illustration;
FIG. 11 is a right side elevational view thereof, enlarged for ease of illustration;
FIG. 12 is a top plan view thereof;
FIG. 13 is a bottom plan view thereof; and,
FIG. 14 is a front elevational view thereof; the back elevational views being a mirror image thereof.
The broken lines illustrate portions of the air spoiler for a windshield wiper that form no part of the claimed design.

(56) **References Cited**

U.S. PATENT DOCUMENTS

D564,955 S * 3/2008 Claes D12/220
D579,849 S * 11/2008 Garrastacho D12/219
D592,121 S * 5/2009 Bratec D12/220
D593,923 S * 6/2009 Bratec D12/219
D597,016 S * 7/2009 Bousset D12/219
D680,051 S * 4/2013 Tolentino D12/219
D685,713 S * 7/2013 Wang D12/219
D686,557 S * 7/2013 Kwon D12/219

1 Claim, 4 Drawing Sheets



(56)

References Cited

U.S. PATENT DOCUMENTS

D700,125 S *	2/2014	Kim	D12/219
D706,200 S *	6/2014	Tolentino	D12/220
D706,691 S *	6/2014	An	D12/187
D740,737 S *	10/2015	Hyun	D12/219
9,925,957 B2 *	3/2018	Shen	B60S 1/0447

* cited by examiner

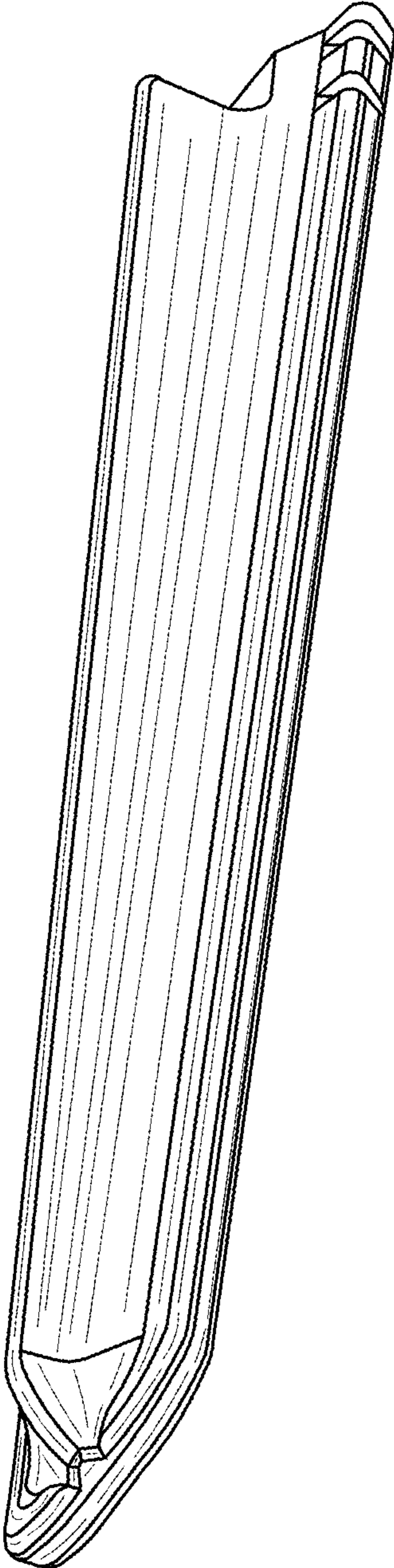


FIG. 1

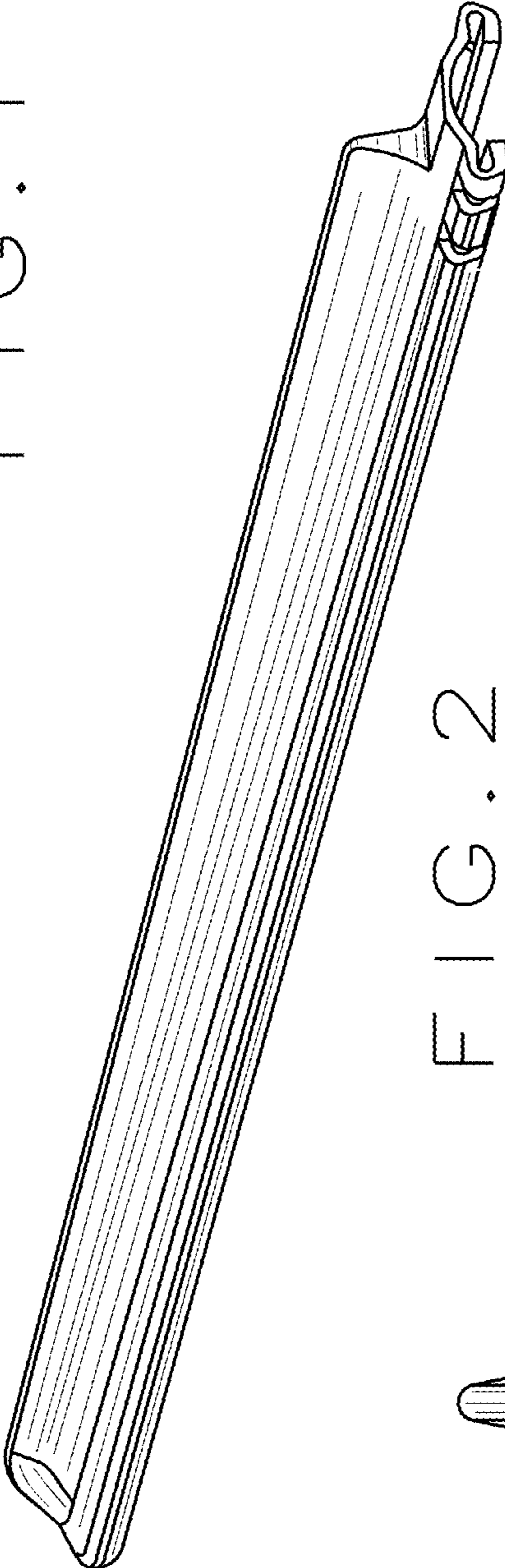


FIG. 2

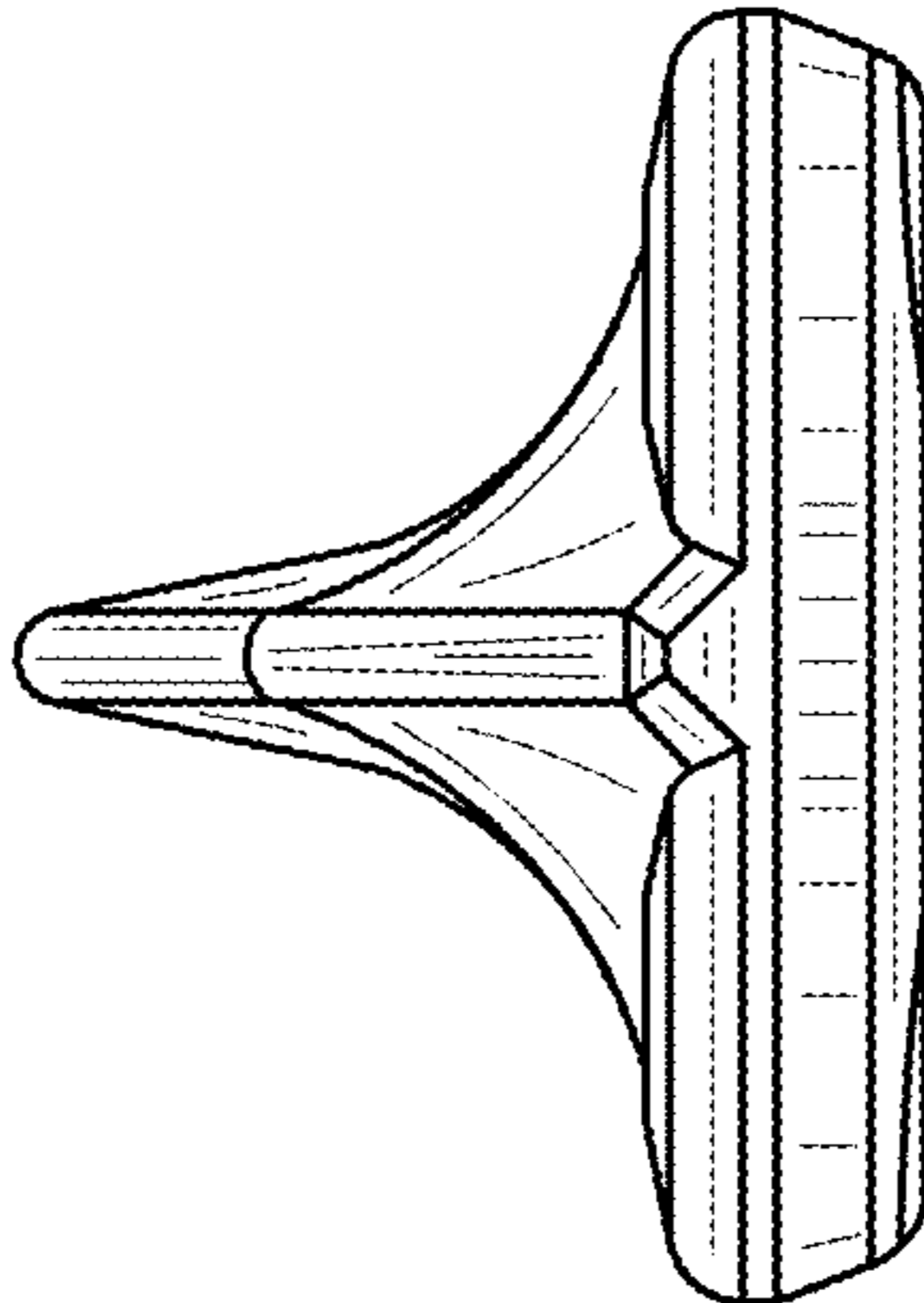


FIG. 3

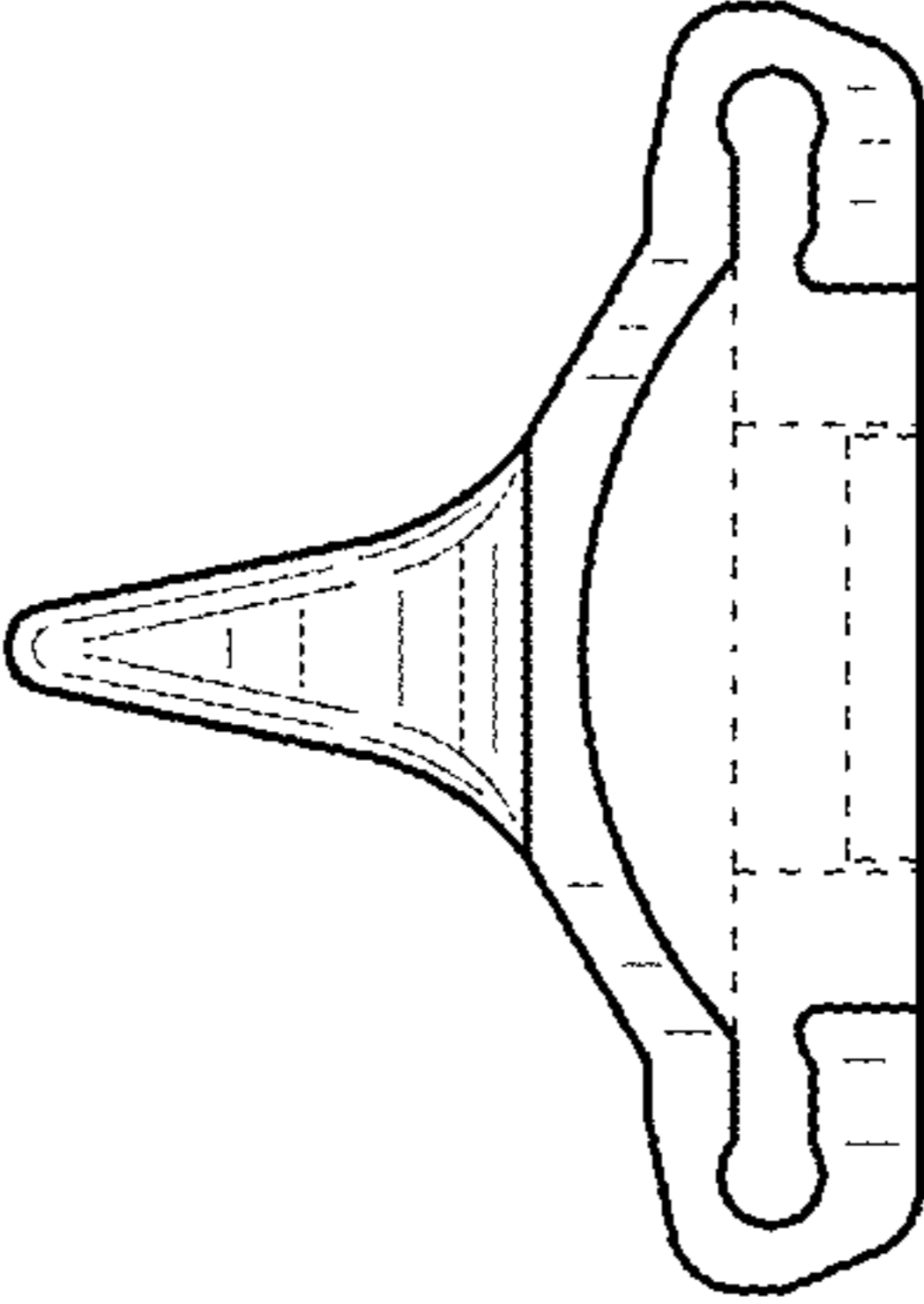


FIG. 4

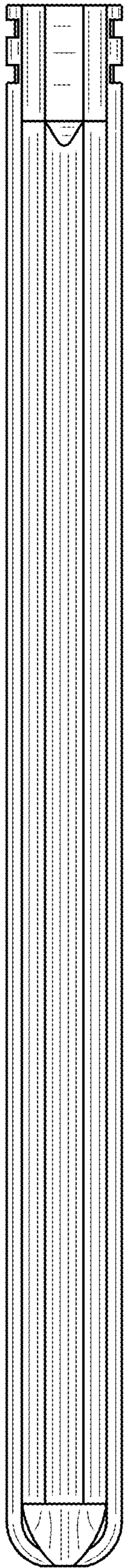


FIG. 5

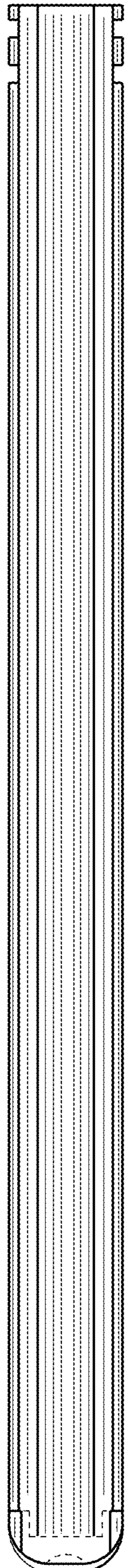


FIG. 6

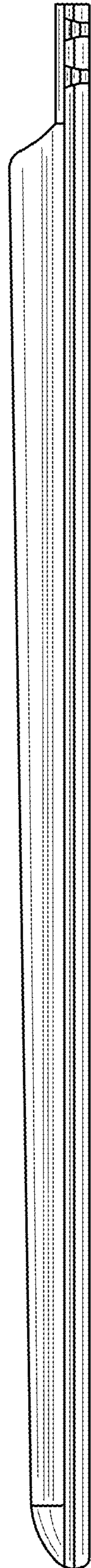


FIG. 7

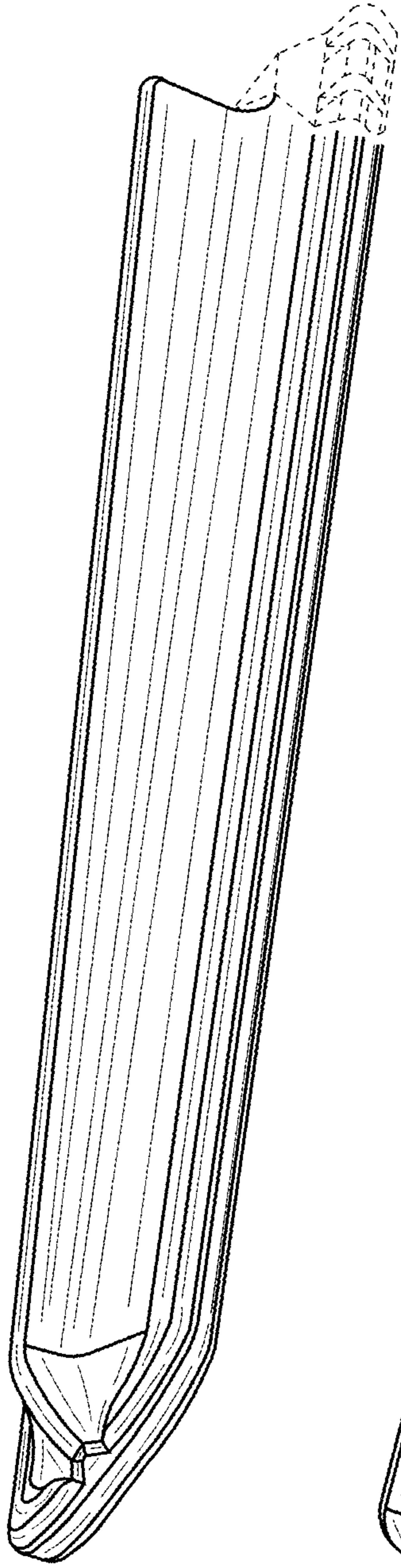


FIG. 8

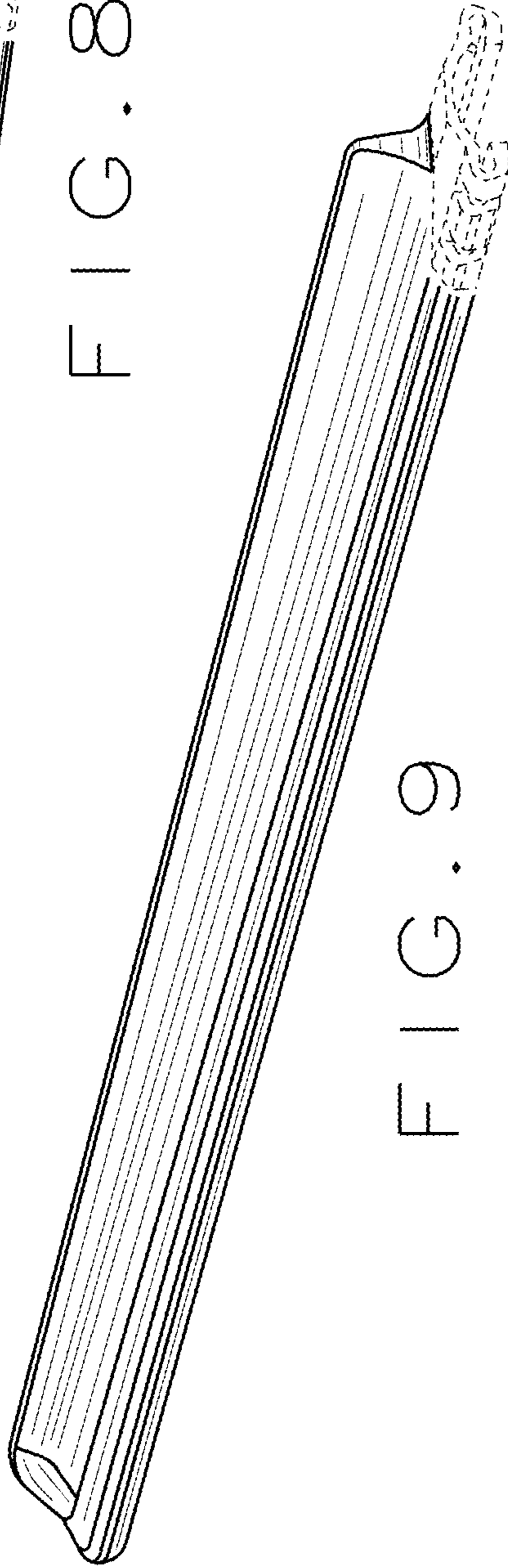


FIG. 9

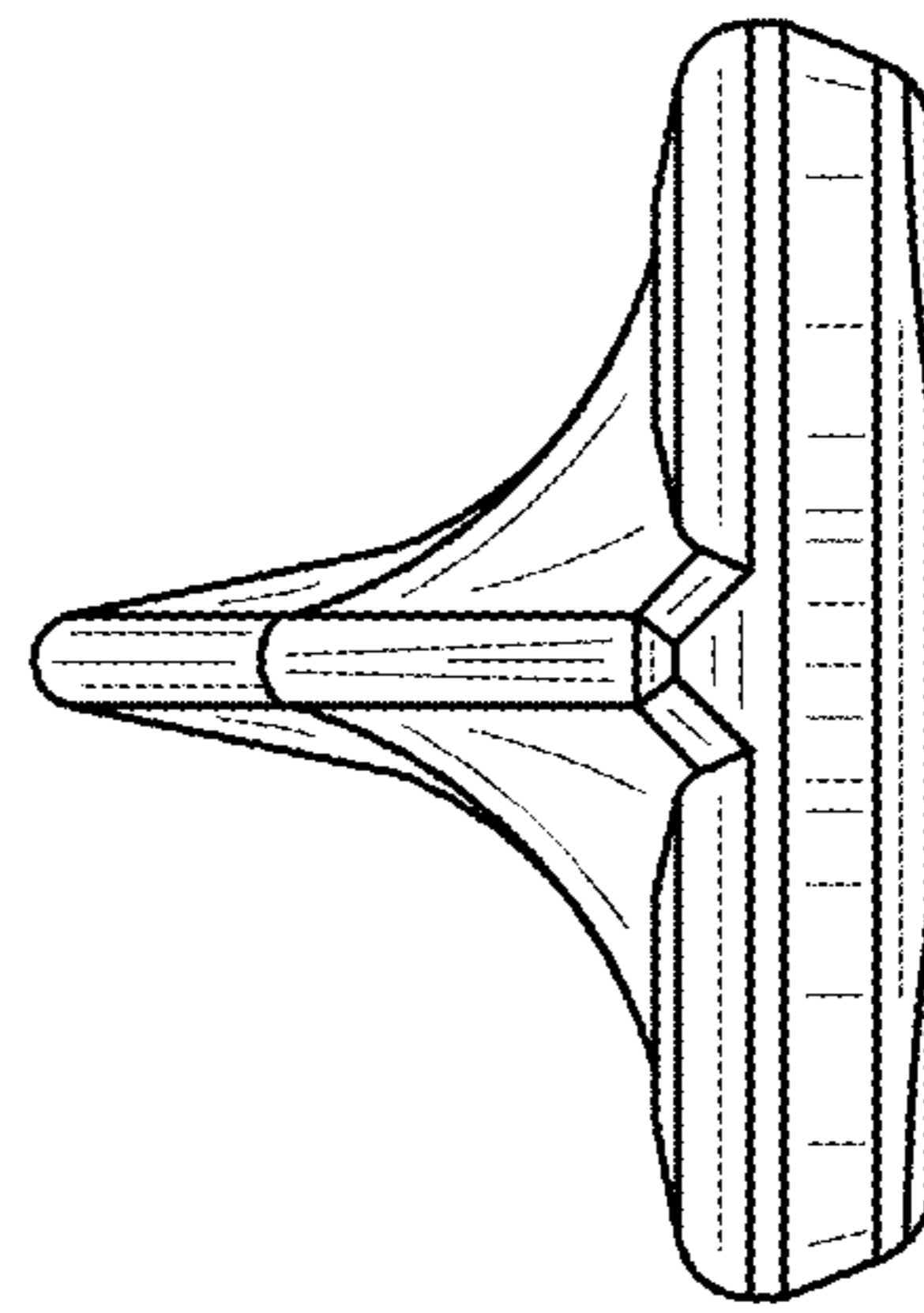


FIG. 10

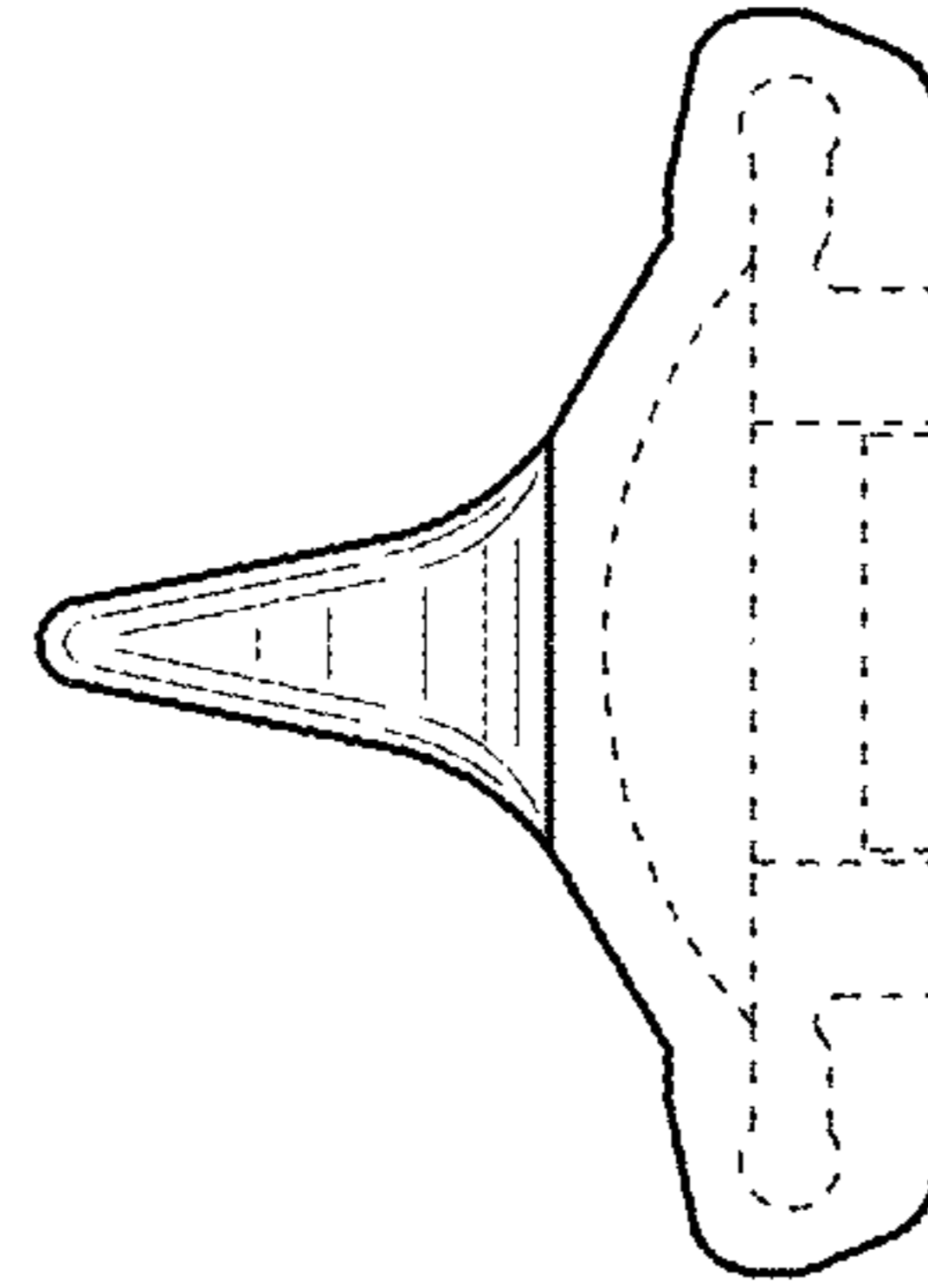


FIG. 11

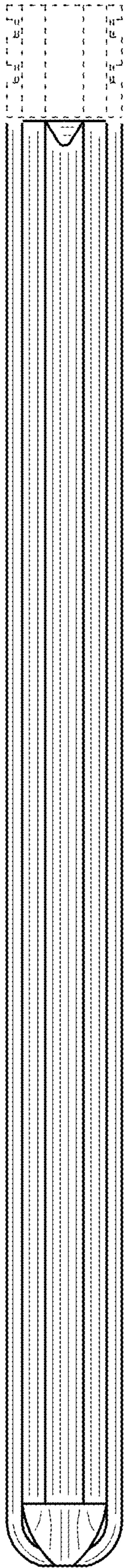


FIG. 12

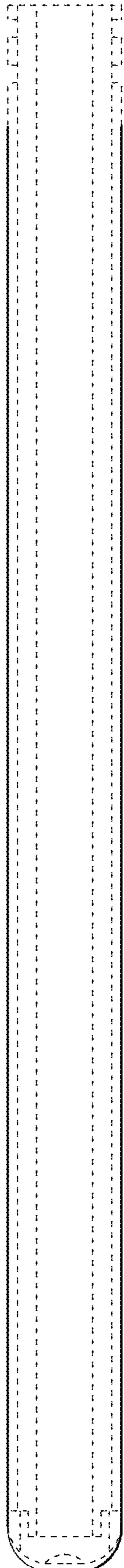


FIG. 13

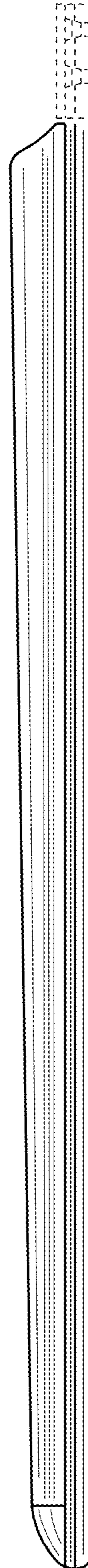


FIG. 14