



US00D892021S

(12) **United States Design Patent**
Sahara

(10) **Patent No.:** **US D892,021 S**

(45) **Date of Patent:** **** Aug. 4, 2020**

(54) **WHEEL FOR AN AUTOMOBILE**

(71) Applicant: **HONDA MOTOR CO., LTD.**, Tokyo (JP)

(72) Inventor: **Ken Sahara**, Wako (JP)

(73) Assignee: **HONDA MOTOR CO., LTD.**, Tokyo (JP)

(**) Term: **15 Years**

(21) Appl. No.: **29/690,902**

(22) Filed: **May 13, 2019**

(30) **Foreign Application Priority Data**

Nov. 15, 2018 (JP) 2018-024927

(51) **LOC (12) Cl.** **12-16**

(52) **U.S. Cl.**
USPC **D12/211**

(58) **Field of Classification Search**

USPC D12/204-213; D21/563

CPC B60B 7/00; B60B 7/02; B60B 7/04; B60B

7/01; B60B 7/06; B60B 3/02; B60B 3/04;

B60B 3/06; B60B 3/10; B60B 1/00;

B60B 1/08; B60B 1/10; B60B 1/12

See application file for complete search history.

(56) **References Cited**

U.S. PATENT DOCUMENTS

D252,565 S * 8/1979 Blanchard D12/211

D267,562 S * 1/1983 Palmer D12/211

D268,261 S * 3/1983 Boyer D12/211

D441,708 S * 5/2001 Pfeiffer D12/211

D454,827 S * 3/2002 Pfeiffer D12/211

D502,136 S * 2/2005 Pfeiffer D12/211

D542,723 S * 5/2007 Bruntz D12/204

D658,562 S * 5/2012 Junghanns D12/211

D723,995 S * 3/2015 Zhao D12/211

D751,487 S * 3/2016 Harriton D12/211

D764,998 S * 8/2016 Woodhouse D12/204

D820,185 S * 6/2018 Mielke D12/211

D824,835 S * 8/2018 Ferrett D12/211

D866,435 S * 11/2019 Interrante D12/209

D877,017 S * 3/2020 Baum D12/209

* cited by examiner

Primary Examiner — Stacia A Cadmus

(74) *Attorney, Agent, or Firm* — Westerman, Hattori, Daniels & Adrian, LLP

(57) **CLAIM**

The ornamental design for a wheel for an automobile, as shown and described.

DESCRIPTION

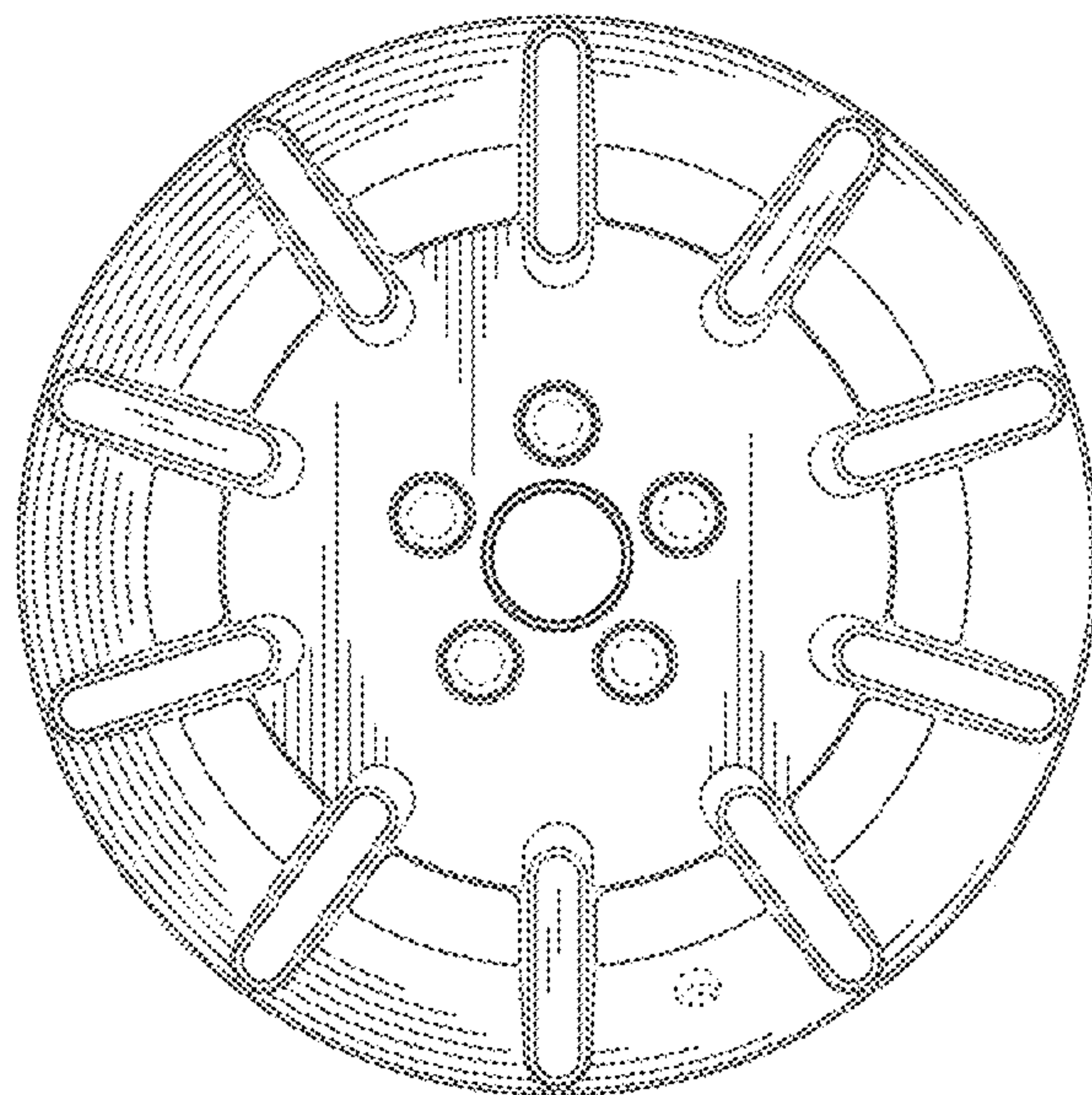
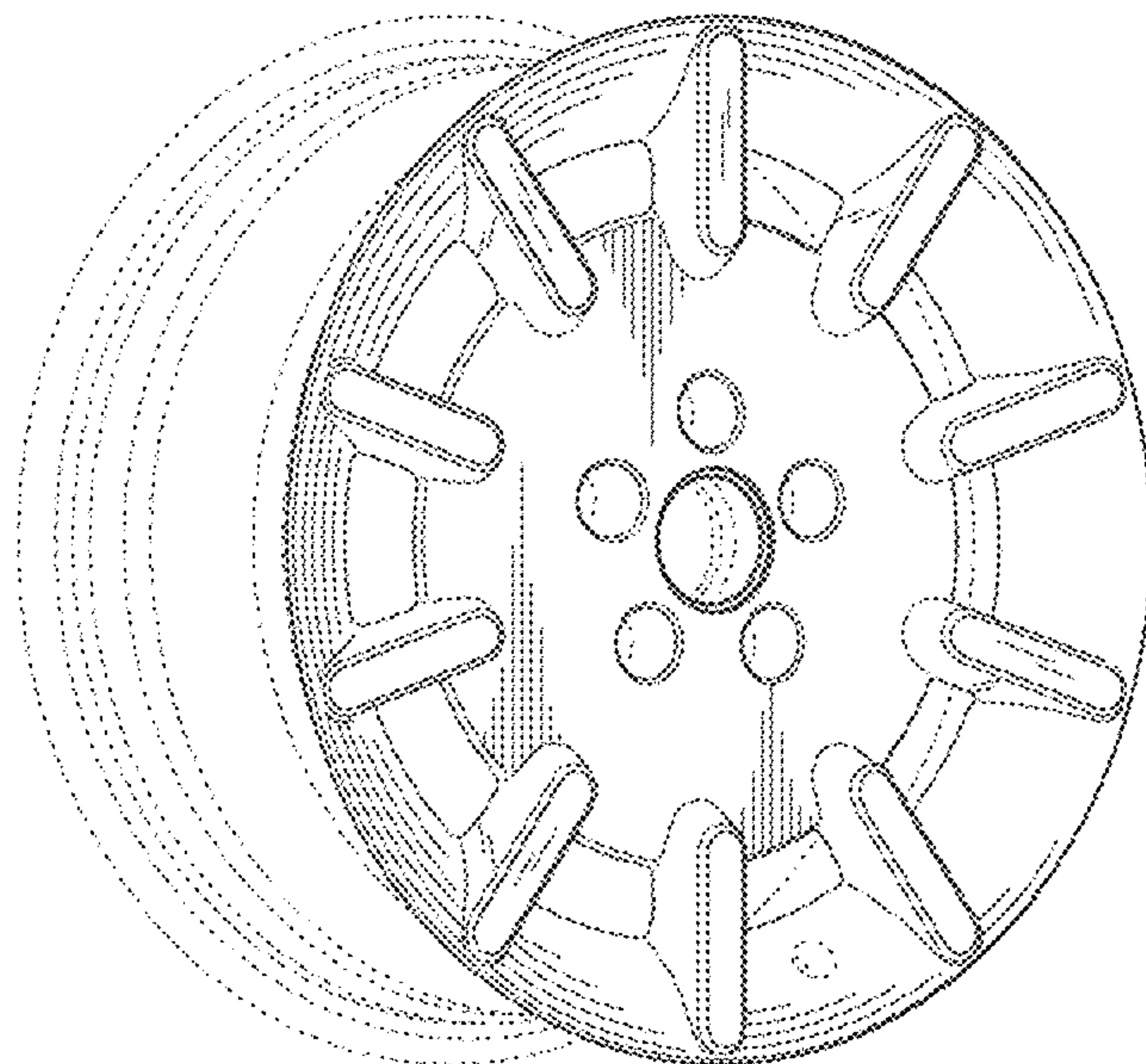
FIG. 1 is a front side perspective view of a wheel for an automobile;

FIG. 2 is an enlarged partial front side perspective view thereof; and,

FIG. 3 is a front view thereof.

The broken lines in the drawings illustrate portions of the wheel for an automobile that form no part of the claimed design.

1 Claim, 3 Drawing Sheets



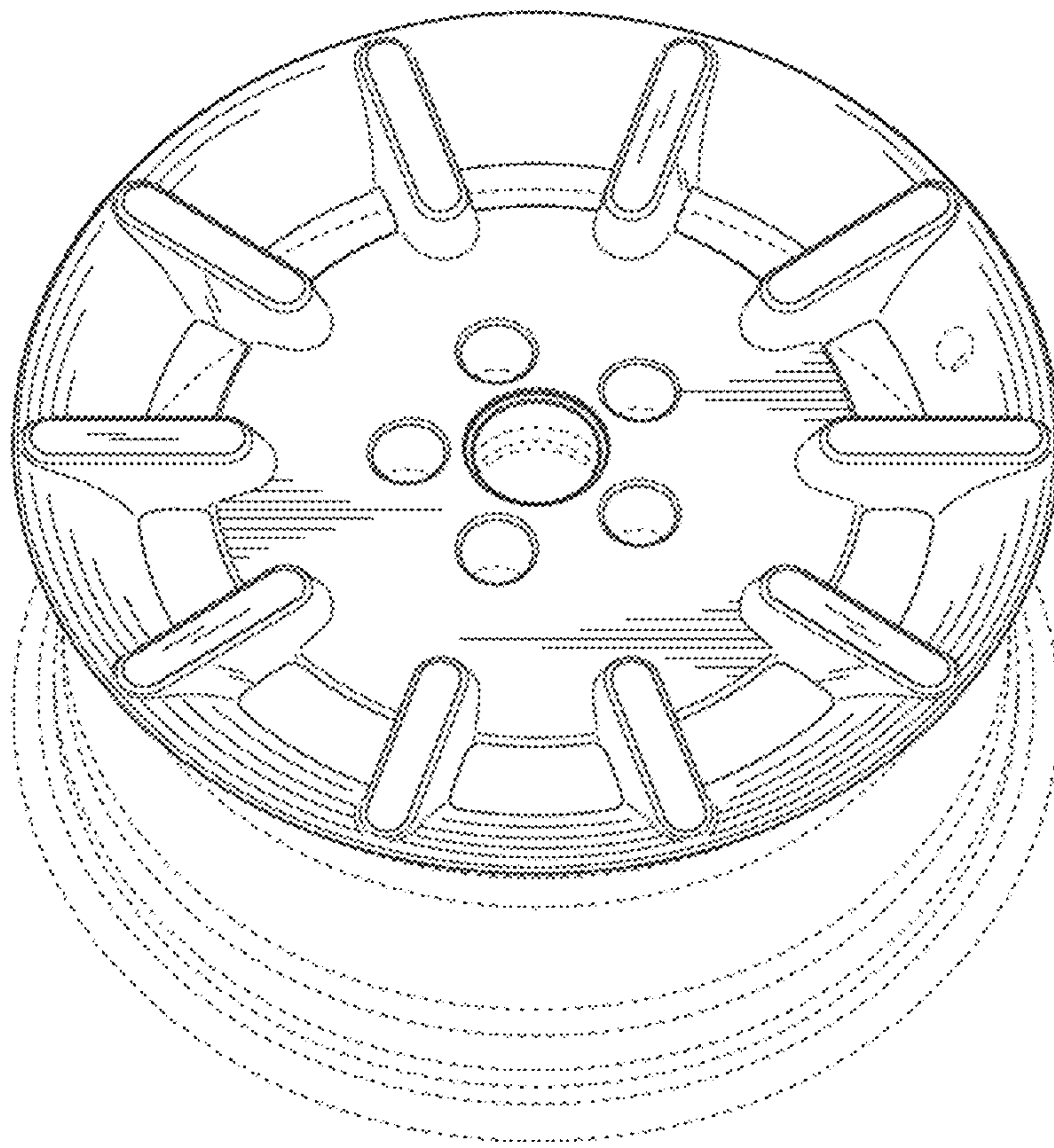


FIG. 1

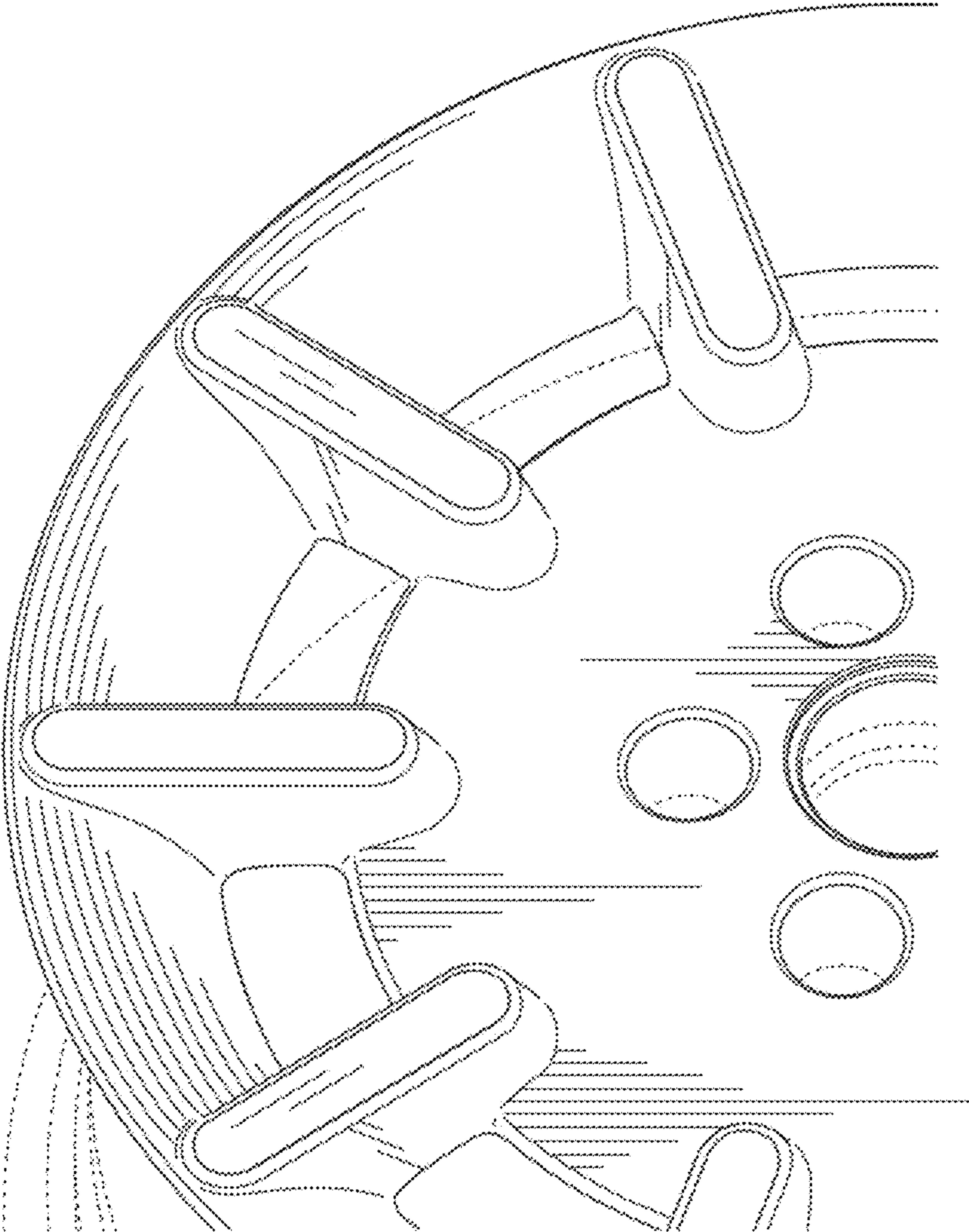


FIG. 2

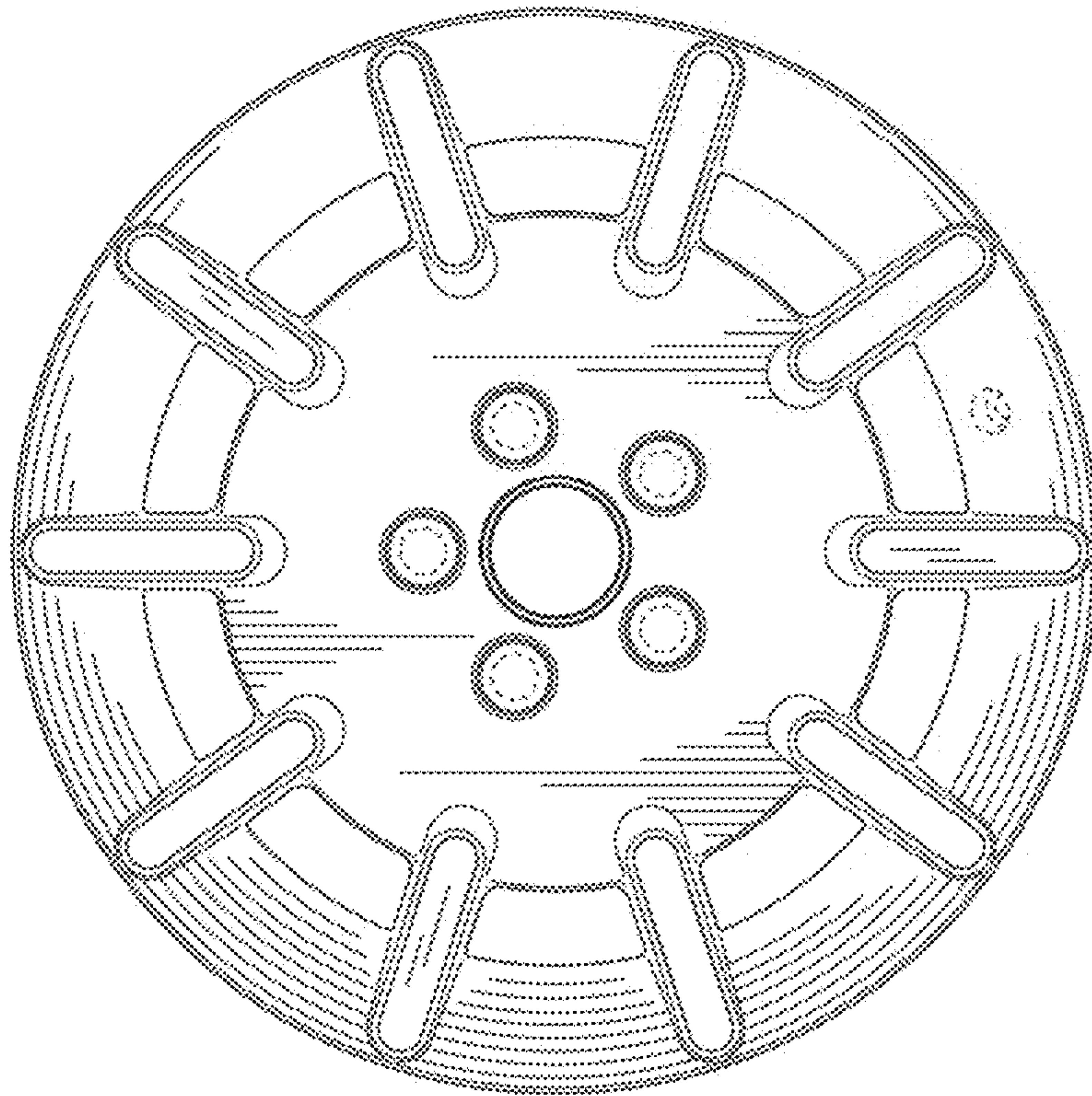


FIG. 3