



US00D892017S

(12) **United States Design Patent**
Han

(10) **Patent No.:** **US D892,017 S**

(45) **Date of Patent:** **** Aug. 4, 2020**

(54) **AUTOMOTIVE WHEEL**

(71) Applicant: **Donnie Han**, Corona, CA (US)

(72) Inventor: **Donnie Han**, Corona, CA (US)

(**) Term: **15 Years**

(21) Appl. No.: **29/690,948**

(22) Filed: **May 13, 2019**

(51) **LOC (12) Cl.** **12-16**

(52) **U.S. Cl.**
USPC **D12/209**

(58) **Field of Classification Search**

USPC D12/204-213; D21/563

CPC B60B 7/00; B60B 7/02; B60B 7/04; B60B
7/01; B60B 7/06; B60B 3/02; B60B 3/04;
B60B 3/06; B60B 3/10; B60B 1/00;
B60B 1/08; B60B 1/10; B60B 1/12

See application file for complete search history.

(56) **References Cited**

U.S. PATENT DOCUMENTS

D595,632 S * 7/2009 Hernandez D12/211
D726,087 S * 4/2015 Breyton D12/211

D760,142 S * 6/2016 Chu D12/211
D784,238 S * 4/2017 Chu D12/211
D784,897 S * 4/2017 Zhao D12/211
D825,423 S * 8/2018 Henderson D12/209
D830,933 S * 10/2018 Zhao D12/209
D840,895 S * 2/2019 Luo D12/209
D842,188 S * 3/2019 Han D12/209
D848,921 S * 5/2019 Lickliter D12/209
D858,406 S * 9/2019 Johnson D12/209
D865,622 S * 11/2019 Han D12/209
D865,623 S * 11/2019 Han D12/209
D881,100 S * 4/2020 Liu D12/209
2002/0158504 A1 * 10/2002 Ito B60B 3/06
301/65

* cited by examiner

Primary Examiner — Stacia A Cadmus

(57) **CLAIM**

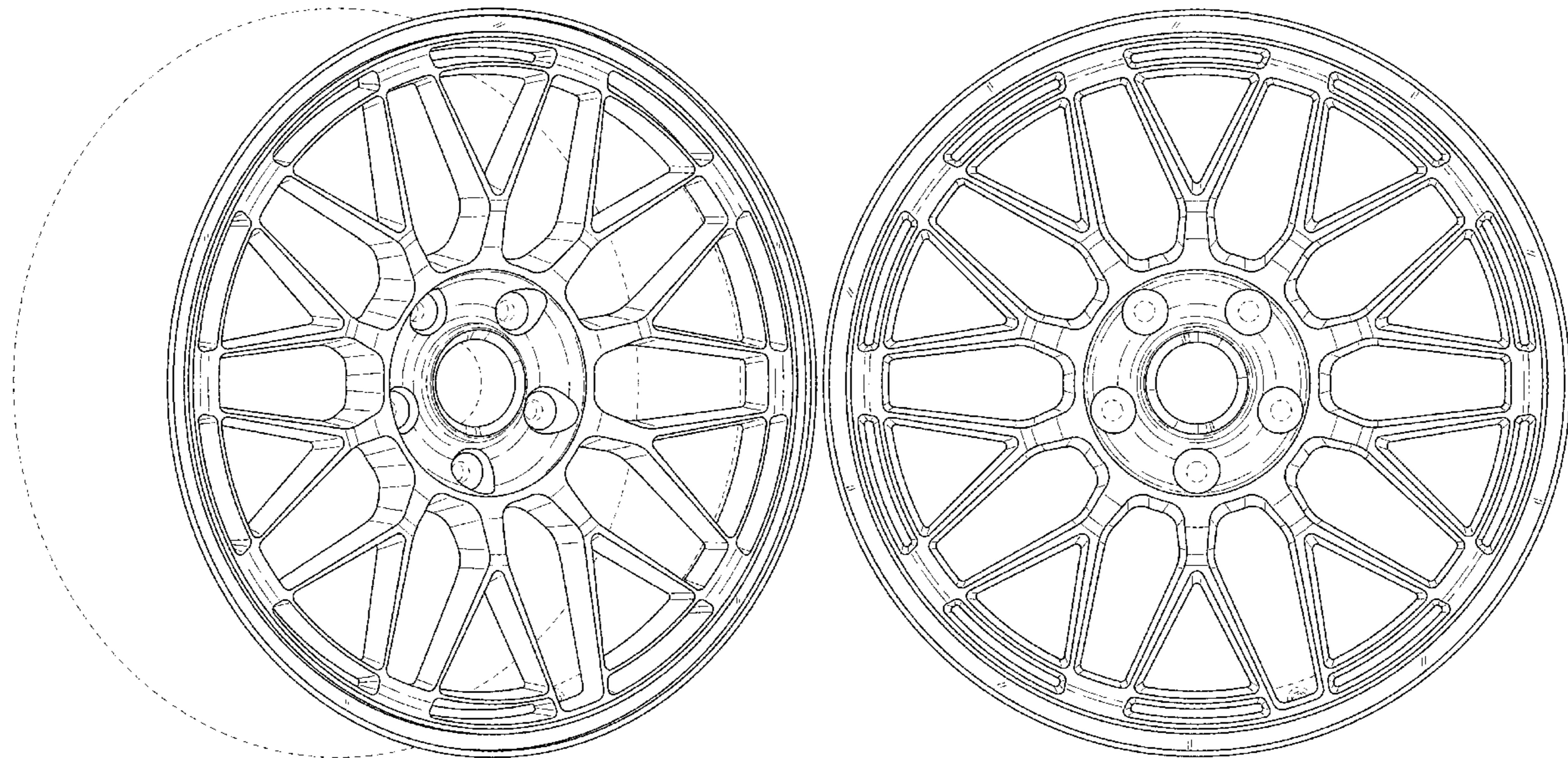
The ornamental design for an automotive wheel, as shown and described.

DESCRIPTION

FIG. 1 is a perspective view of an automotive wheel, showing my new design; and, FIG. 2 is a front view thereof.

In the drawings, the broken lines depict environmental subject matter and form no part of the claimed design.

1 Claim, 2 Drawing Sheets



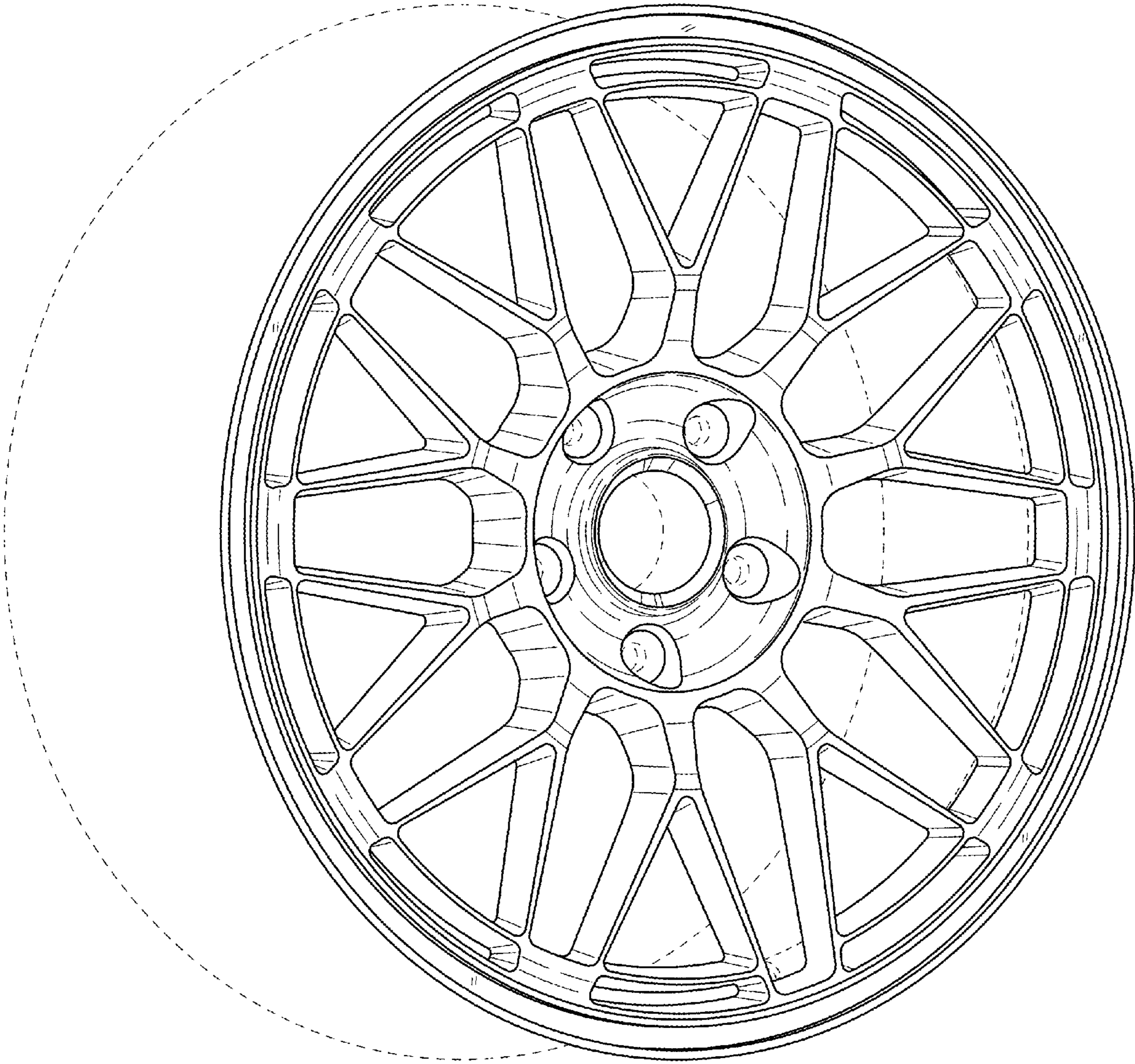


FIGURE 1

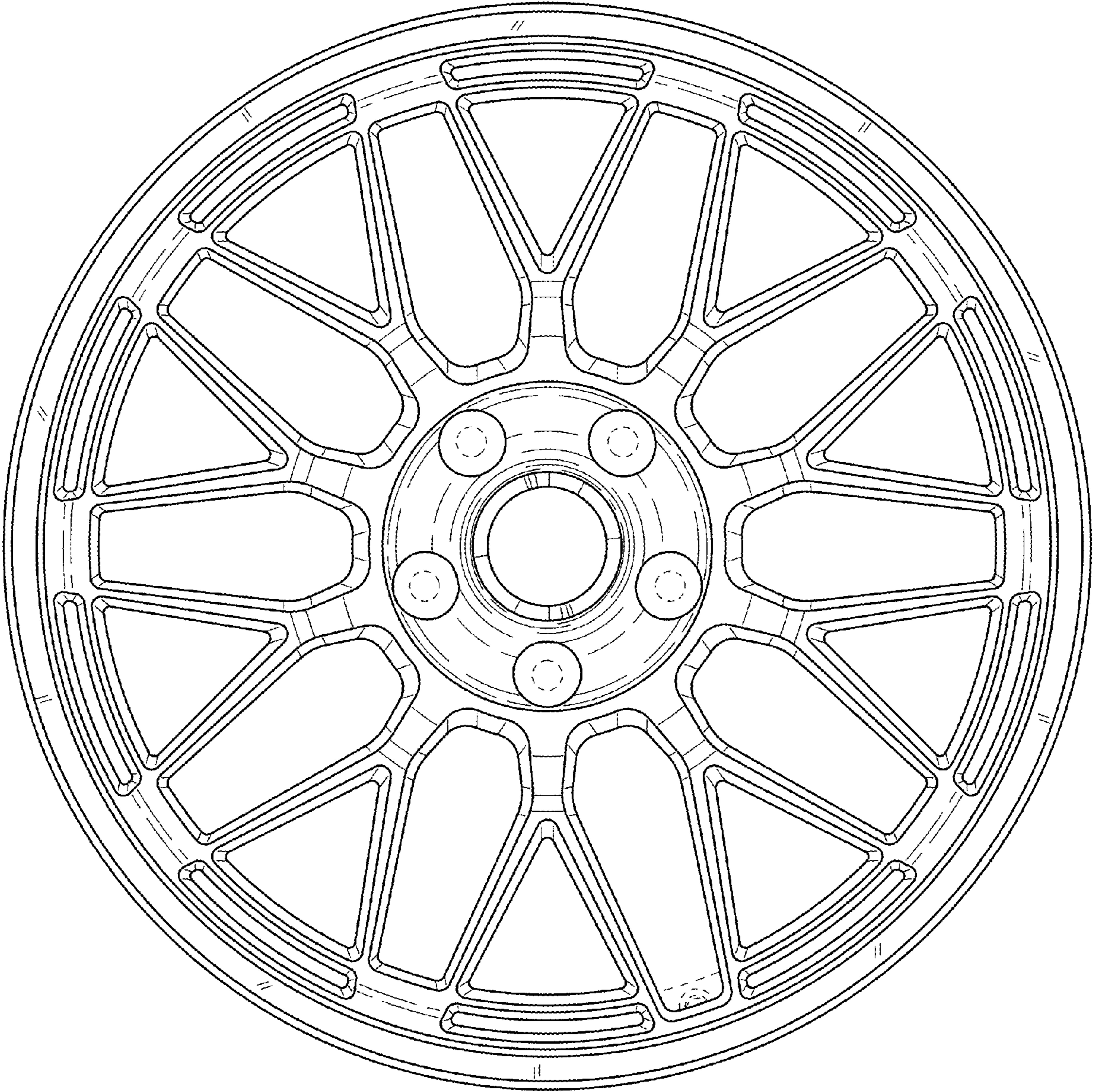


FIGURE 2