



US00D892015S

(12) **United States Design Patent**
Mueller et al.

(10) **Patent No.:** **US D892,015 S**

(45) **Date of Patent:** **** Aug. 4, 2020**

(54) **VEHICLE WHEEL, TOY VEHICLE WHEEL,
AND/OR REPLICAS THEREOF**

(71) Applicant: **Bayerische Motoren Werke
Aktiengesellschaft, Munich (DE)**

(72) Inventors: **Rainer Mueller, Munich (DE); Dirk
Juergens, Munich (DE)**

(73) Assignee: **Bayerische Motoren Werke
Aktiengesellschaft, Munich (DE)**

(**) Term: **15 Years**

(21) Appl. No.: **29/688,406**

(22) Filed: **Apr. 22, 2019**

(30) **Foreign Application Priority Data**

Oct. 24, 2018 (DE) 40 2018 101 080

(51) **LOC (12) Cl.** **12-16**

(52) **U.S. Cl.**
USPC **D12/209; D21/563**

(58) **Field of Classification Search**
USPC D12/204-213; D21/563
CPC B60B 7/00; B60B 7/02; B60B 7/04; B60B
7/01; B60B 7/06; B60B 3/02; B60B 3/04;
B60B 3/06; B60B 3/10; B60B 1/00;
B60B 1/08; B60B 1/10; B60B 1/12
See application file for complete search history.

(56) **References Cited**

U.S. PATENT DOCUMENTS

D479,177 S	9/2003	Nordmann	
D538,730 S	3/2007	Thurner	
D594,396 S *	6/2009	Juergens	D12/209
D594,802 S *	6/2009	Gustafsson	D12/211
D623,115 S *	9/2010	Juergens	D12/211
D623,573 S	9/2010	Thurner	

D649,500 S *	11/2011	Baum	D12/209
D673,100 S *	12/2012	Mueller-Stolz	D12/211
D673,102 S *	12/2012	Behmer	D12/211
D688,188 S *	8/2013	Baum	D12/211
D711,806 S	8/2014	Pollmann	
D739,325 S *	9/2015	Mueller-Stolz	D12/209
D749,487 S *	2/2016	Mahoney	D12/211
D751,020 S *	3/2016	Mahoney	D12/211
D775,048 S	12/2016	Rueckheim	
D777,076 S *	1/2017	Trpinac	D12/211
D814,378 S *	4/2018	Mielke	D12/209
D840,897 S *	2/2019	Aiba	D12/209
D854,483 S *	7/2019	Guth	D12/211
D856,894 S *	8/2019	Valencia Pollex	D12/209

(Continued)

FOREIGN PATENT DOCUMENTS

EM	000138813-0001	6/2004
EM	000573753-0001	9/2006
EM	000901061-0001	7/2008

(Continued)

Primary Examiner — Stacia A Cadmus

(74) *Attorney, Agent, or Firm* — Crowell & Moring LLP

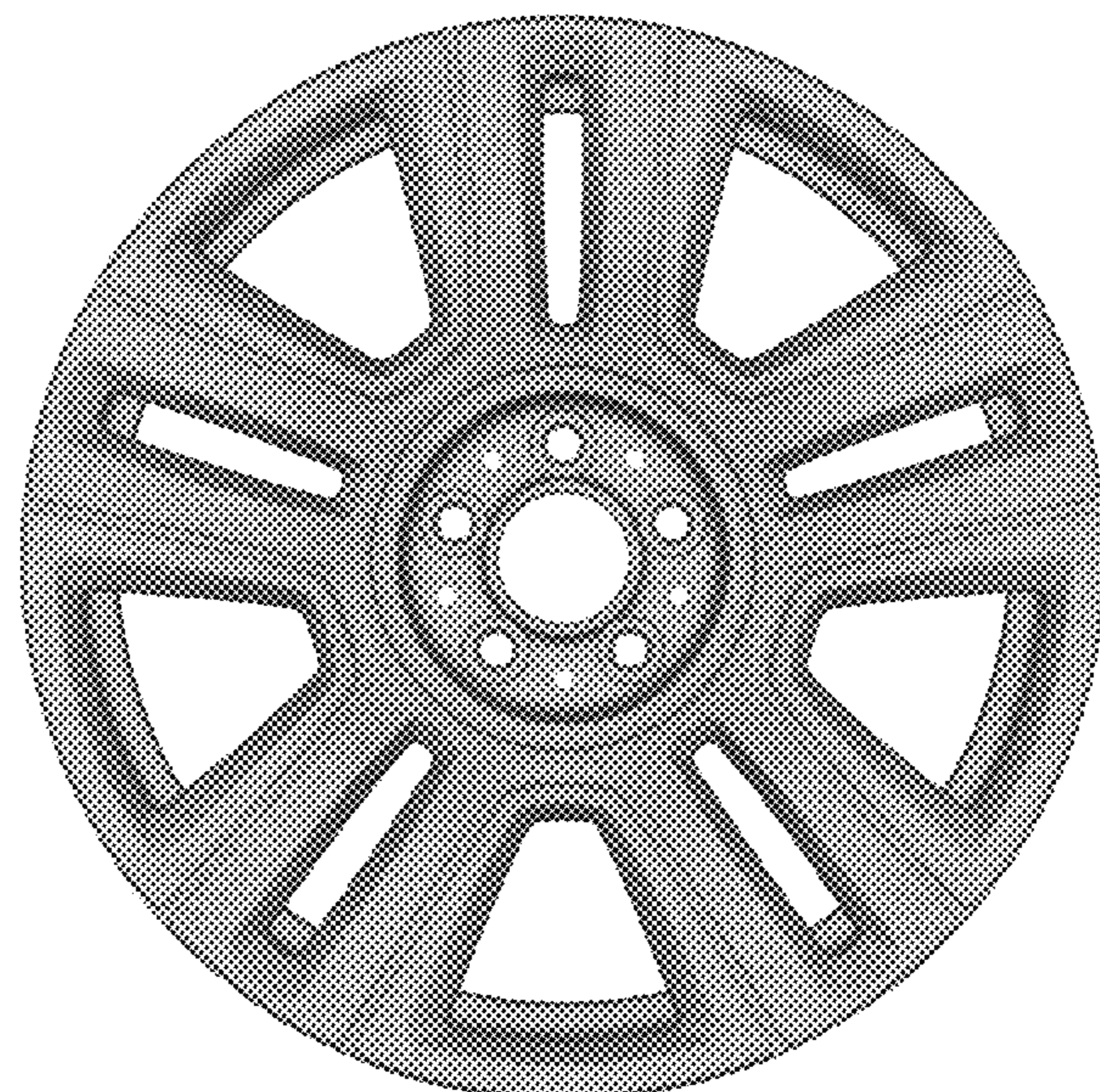
(57) **CLAIM**

The ornamental design for a vehicle wheel, toy vehicle wheel, and/or replicas thereof, as shown and described.

DESCRIPTION

FIG. 1 is a perspective view of a vehicle wheel, toy vehicle wheel, and/or replicas thereof according to the design; FIG. 2 is an additional perspective view thereof; FIG. 3 is an additional perspective view thereof; FIG. 4 is a front view thereof; FIG. 5 is a rear view thereof in a lighter gray scale, representing environmental features that form no part of the claimed design; and, FIG. 6 is a side view thereof.

1 Claim, 6 Drawing Sheets



(56)

References Cited

U.S. PATENT DOCUMENTS

D864,836 S * 10/2019 Preyss D12/211

FOREIGN PATENT DOCUMENTS

EM	001558883-0005	4/2010
WO	WO DM/059484	5/2002

* cited by examiner



Fig. 1



Fig. 2



Fig. 3



Fig. 4

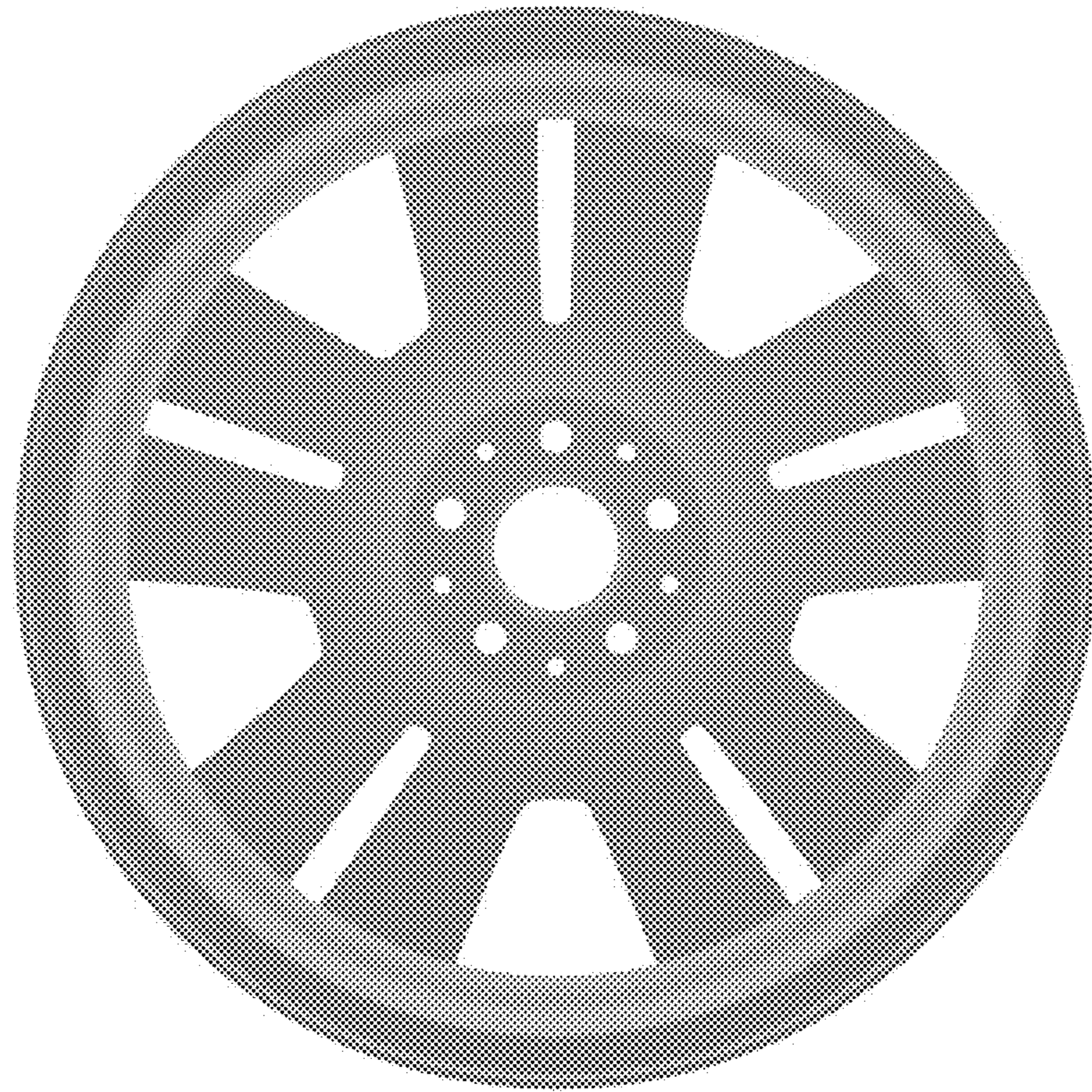


Fig. 5

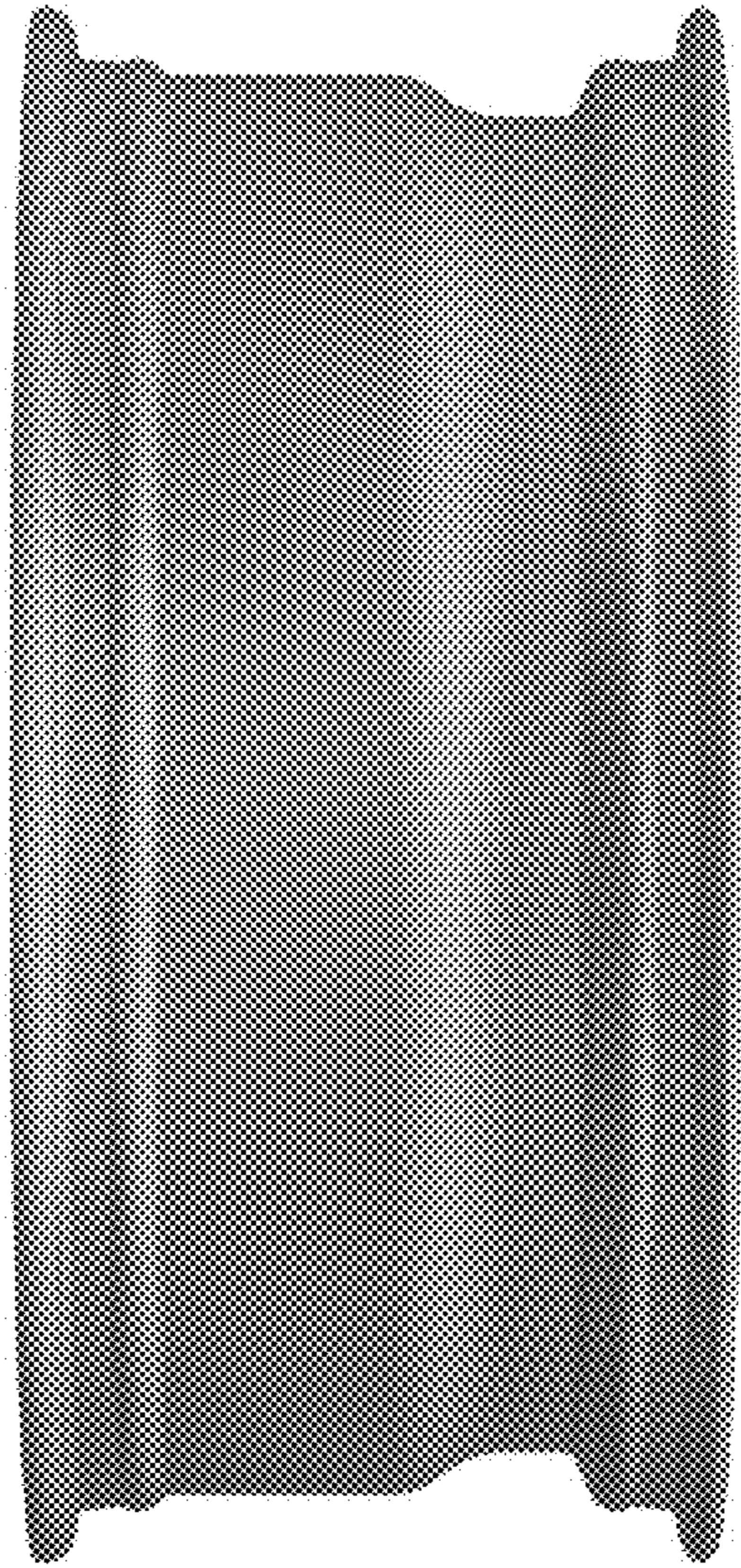


Fig. 6