



US00D892014S

(12) **United States Design Patent**
Cenan

(10) **Patent No.:** **US D892,014 S**

(45) **Date of Patent:** **** Aug. 4, 2020**

(54) **VEHICLE WHEEL**

(71) Applicant: **KARMA AUTOMOTIVE LLC**,
Irvine, CA (US)

(72) Inventor: **Raul M. Cenan**, Marina Del Rey, CA
(US)

(73) Assignee: **KARMA AUTOMOTIVE LLC**,
Irvine, CA (US)

(**) Term: **15 Years**

(21) Appl. No.: **29/677,968**

(22) Filed: **Jan. 24, 2019**

(51) **LOC (12) Cl.** **12-16**

(52) **U.S. Cl.**
USPC **D12/209**

(58) **Field of Classification Search**
USPC D12/204–213; D21/563
CPC B60B 7/00; B60B 7/02; B60B 7/04; B60B
7/01; B60B 7/06; B60B 3/02; B60B 3/04;
B60B 3/06; B60B 3/10; B60B 1/00;
B60B 1/08; B60B 1/10; B60B 1/12
See application file for complete search history.

(56) **References Cited**

U.S. PATENT DOCUMENTS

D375,716 S	*	11/1996	Dehner	D12/209
D578,457 S	*	10/2008	Guidry	D12/211
D652,361 S	*	1/2012	Forschner	D12/209
D660,767 S	*	5/2012	von Holzhausen	D12/209
D678,163 S	*	3/2013	Tirado	D12/209
D695,194 S	*	12/2013	Kong	D12/211

D729,138 S	*	5/2015	Davidson	D12/209
D730,799 S	*	6/2015	Hans	D12/209
D738,278 S	*	9/2015	Wolff	D12/209
D746,212 S	*	12/2015	Valencia Pollex	D12/211
D747,676 S	*	1/2016	Chung	D12/211
D756,878 S	*	5/2016	Valencia Pollex	D12/209
D759,564 S	*	6/2016	Valencia Pollex	D12/209
D788,003 S	*	5/2017	Conforzi	D12/209
D791,668 S	*	7/2017	Murase	D12/209
D804,388 S	*	12/2017	Snyder	D12/209
D806,629 S	*	1/2018	Bridan	D12/211
D815,009 S	*	4/2018	Valencia Pollex	D12/209
D826,130 S	*	8/2018	Myrberg	D12/209
D826,826 S	*	8/2018	Back	D12/209
D844,530 S	*	4/2019	Saleen	D12/209
D855,536 S	*	8/2019	Zhao	D12/209
D871,300 S	*	12/2019	Ash	D12/209

* cited by examiner

Primary Examiner — Stacia A Cadmus

(74) *Attorney, Agent, or Firm* — Gordon Rees Scully
Mansukhani, LLP

(57) **CLAIM**

The ornamental design for a vehicle wheel, as shown and described.

DESCRIPTION

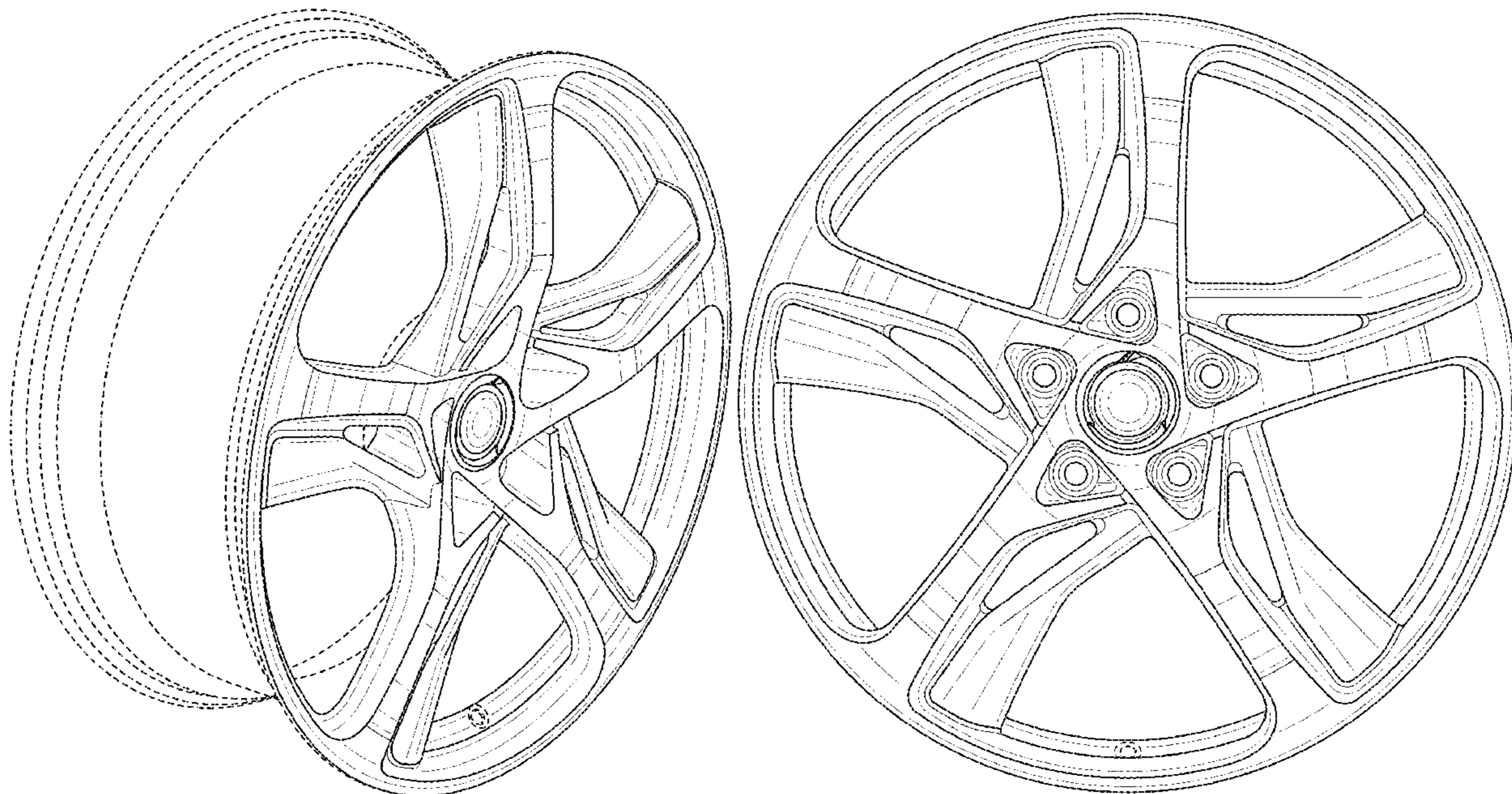
FIG. 1 is a perspective view of a vehicle wheel showing my new design;

FIG. 2 is a second perspective view thereof; and,

FIG. 3 is a front view thereof.

In the drawings, the broken lines depict environmental subject matter and form no part of the claimed design.

1 Claim, 3 Drawing Sheets



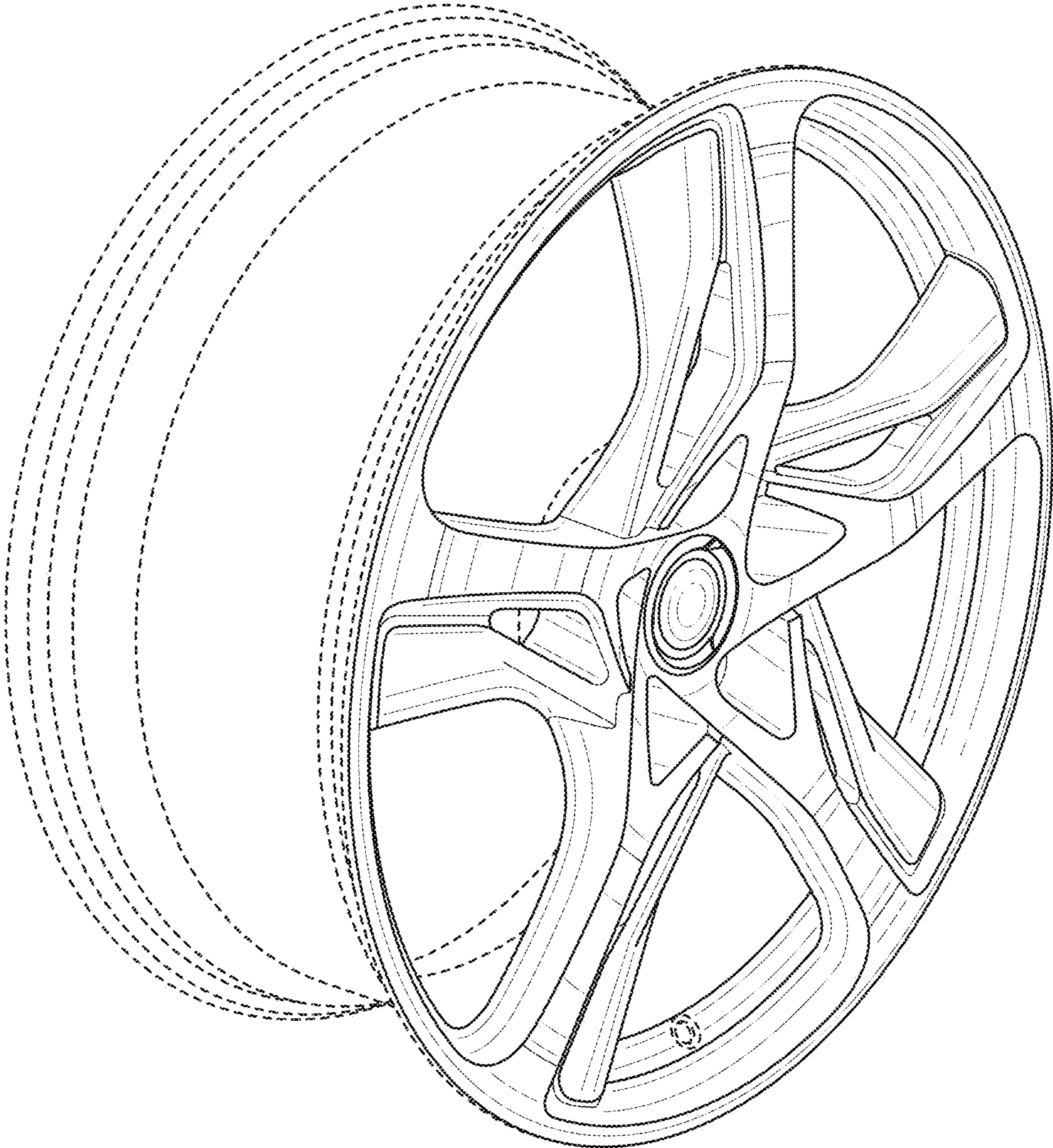


FIG. 1

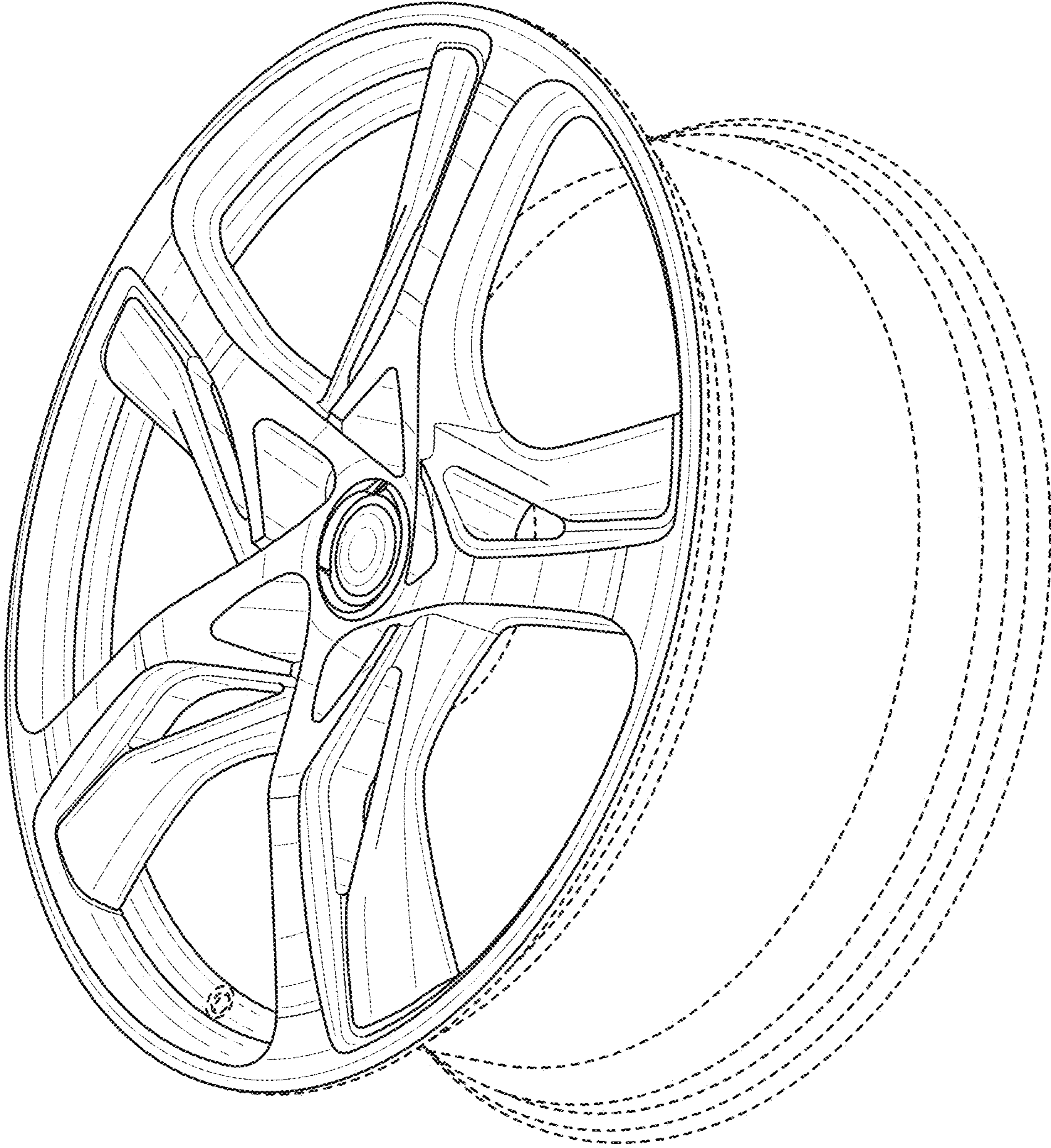


FIG. 2

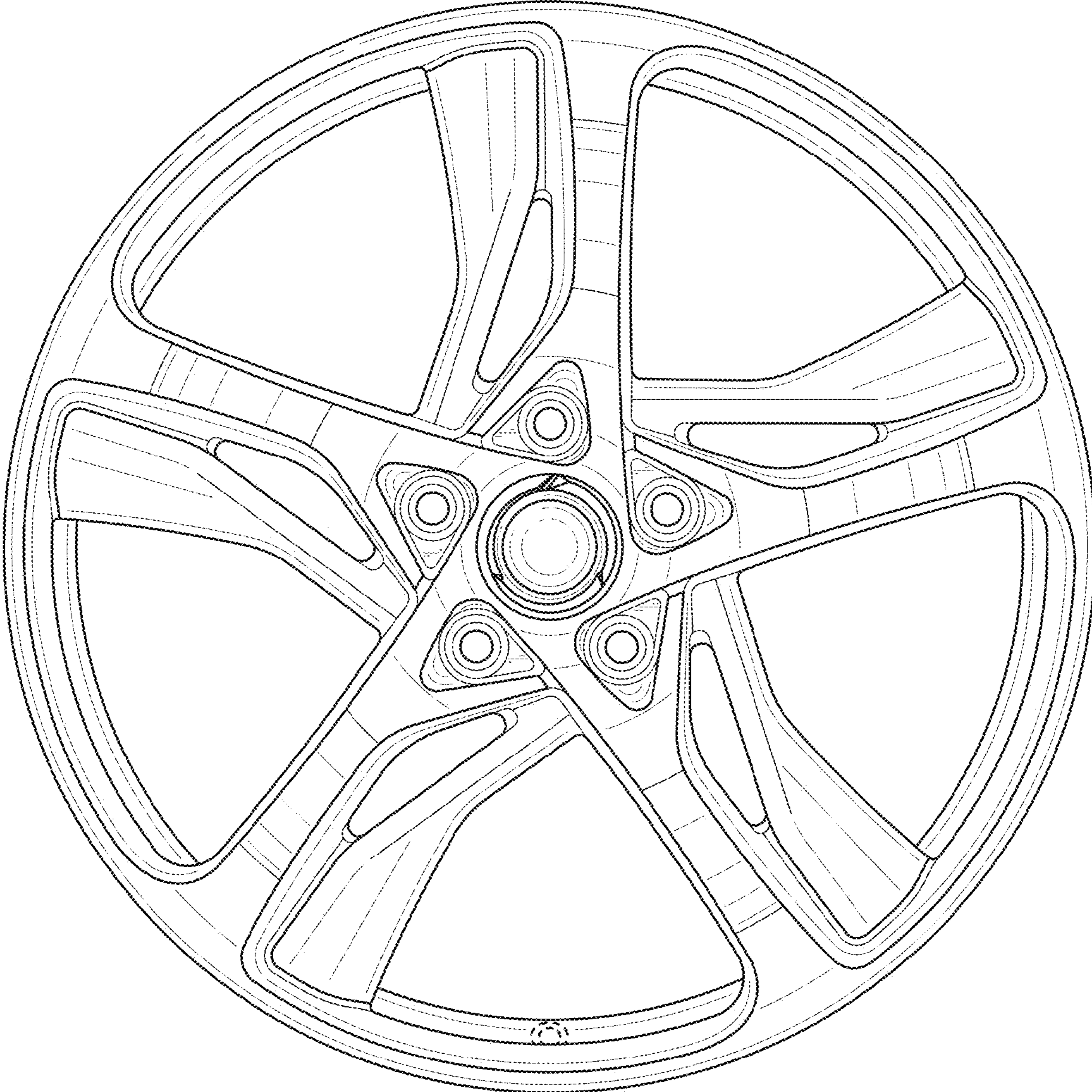


FIG. 3