



US00D892013S

(12) **United States Design Patent**  
**Han**

(10) **Patent No.:** **US D892,013 S**

(45) **Date of Patent:** **\*\* Aug. 4, 2020**

(54) **AUTOMOTIVE WHEEL**

(71) Applicant: **Donnie Han**, Corona, CA (US)

(72) Inventor: **Donnie Han**, Corona, CA (US)

(\*\*) Term: **15 Years**

(21) Appl. No.: **29/610,479**

(22) Filed: **Jul. 12, 2017**

(51) **LOC (12) Cl.** ..... **12-16**

(52) **U.S. Cl.**

USPC ..... **D12/209**

(58) **Field of Classification Search**

USPC ..... D12/204–213; D21/563

CPC .... B60B 7/00; B60B 7/02; B60B 7/04; B60B

7/01; B60B 7/06; B60B 3/02; B60B 3/04;

B60B 3/06; B60B 3/10; B60B 1/00;

B60B 1/08; B60B 1/10; B60B 1/12

See application file for complete search history.

(56) **References Cited**

**U.S. PATENT DOCUMENTS**

D471,503 S *	3/2003	Baumgartner	.....	D12/211
D471,852 S *	3/2003	Pfeiffer	.....	D12/211
D500,003 S *	12/2004	Guevara	.....	D12/211
D507,775 S *	7/2005	Pfeiffer	.....	D12/211
D572,646 S *	7/2008	Hieke	.....	D12/209
D610,064 S *	2/2010	Dilber	.....	D12/211
D623,109 S *	9/2010	Markefka	.....	D12/209
D671,062 S *	11/2012	Dilber	.....	D12/211
D682,766 S *	5/2013	Zhao	.....	D12/211
D702,173 S *	4/2014	Perini	.....	D12/211
D716,713 S *	11/2014	Hale, Jr.	.....	D12/211
D721,317 S *	1/2015	Kern	.....	D12/211
D724,515 S *	3/2015	Chung	.....	D12/209
D726,088 S *	4/2015	Hodges	.....	D12/211

D727,825 S *	4/2015	Chung	.....	D12/211
D751,017 S *	3/2016	Chung	.....	D12/209
D751,481 S *	3/2016	Chung	.....	D12/209
D765,574 S *	9/2016	Hale, Jr.	.....	D12/211
D768,045 S *	10/2016	Curic	.....	D12/209
D780,662 S *	3/2017	Zhao	.....	D12/211
D782,951 S *	4/2017	Bjerke	.....	D12/209
D786,768 S *	5/2017	Youssef	.....	D12/211
D801,253 S *	10/2017	Taylor	.....	D12/211
D803,129 S *	11/2017	McMath	.....	D12/209
D806,630 S *	1/2018	McMath	.....	D12/211
D808,325 S *	1/2018	Chung	.....	D12/211
D817,845 S *	5/2018	Guidry	.....	D12/209
D823,214 S *	7/2018	Chung	.....	D12/209
D824,834 S *	8/2018	Licklitter	.....	D12/211
D828,271 S *	9/2018	Han	.....	D12/211
D845,859 S *	4/2019	Hale, Jr.	.....	D12/209
D849,652 S *	5/2019	De Jung	.....	D12/209
D860,096 S *	9/2019	Milani	.....	D12/209
D860,908 S *	9/2019	Han	.....	D12/209
D865,609 S *	11/2019	Yeh	.....	D12/209
D879,006 S *	3/2020	Metros	.....	D12/211

\* cited by examiner

*Primary Examiner* — Stacia A Cadmus

(57) **CLAIM**

The ornamental design for an automotive wheel, as shown and described.

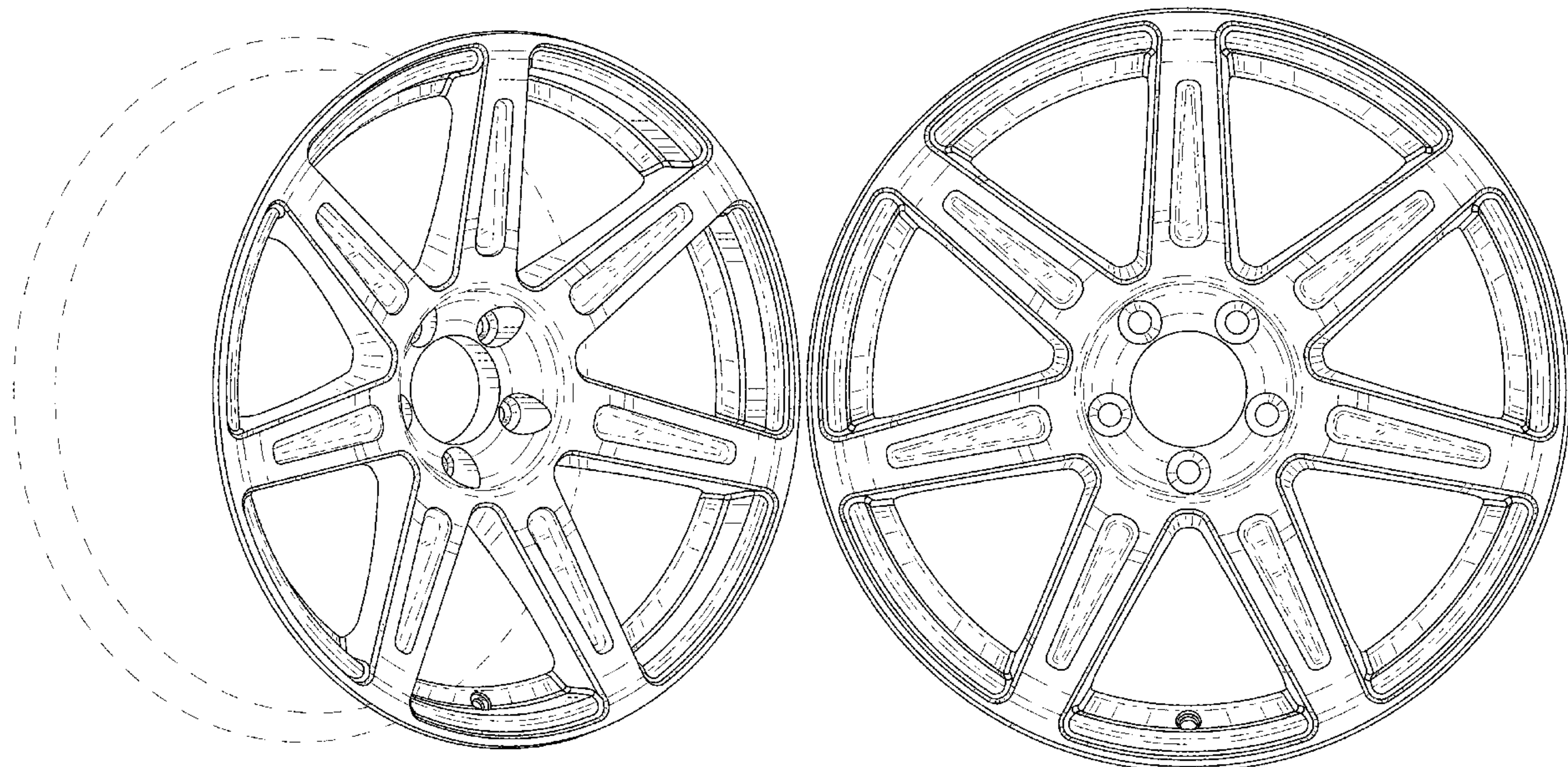
**DESCRIPTION**

FIG. 1 is a perspective view a first embodiment of an automotive wheel, showing my new design for a one-piece automotive wheel; and,

FIG. 2 is a front view thereof.

In the drawings, the broken lines depict environmental subject matter and form no part of the claimed design.

**1 Claim, 2 Drawing Sheets**



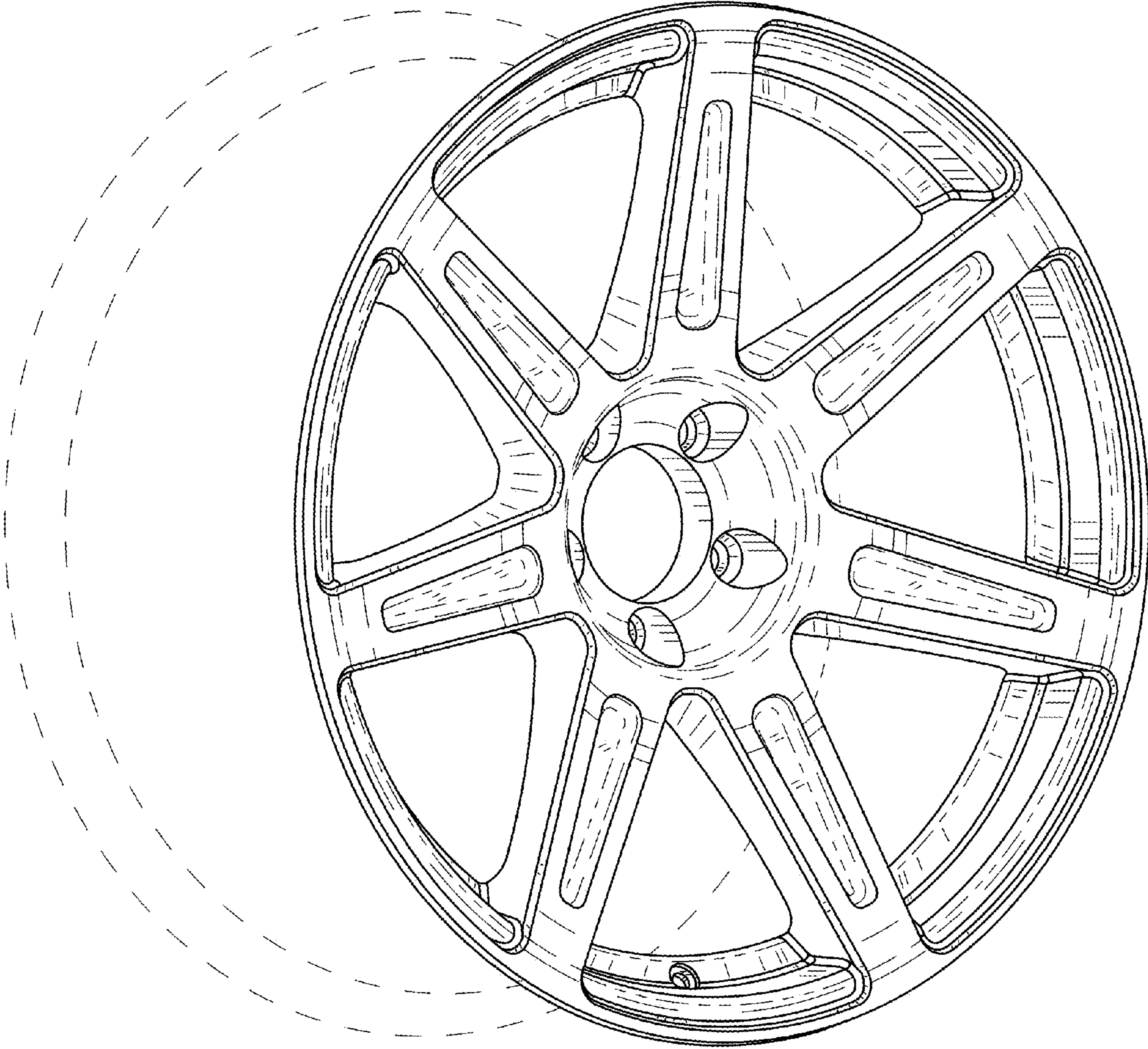


FIGURE 1



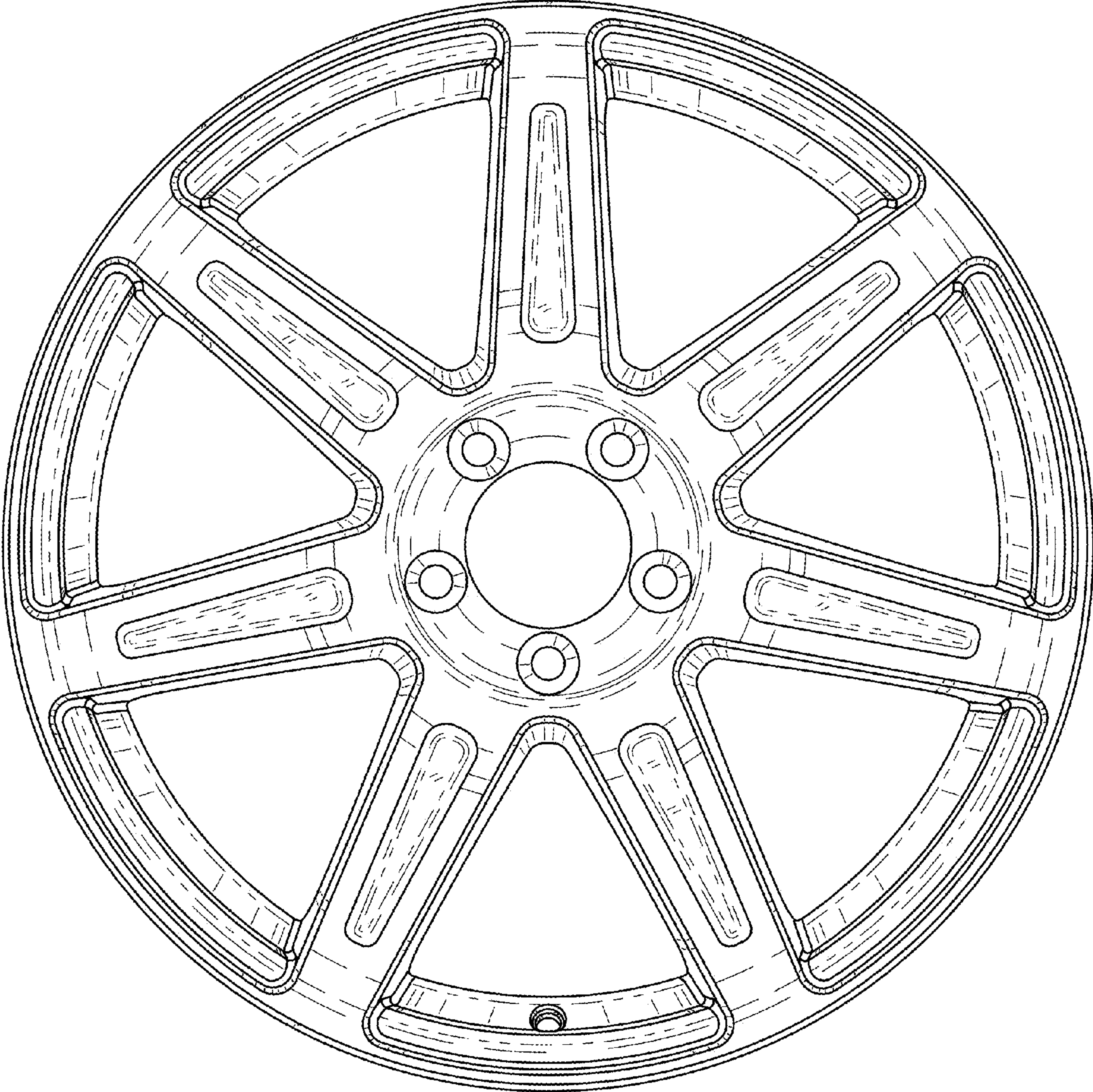


FIGURE 2