



US00D892012S

(12) **United States Design Patent** (10) **Patent No.:** **US D892,012 S**
Brown et al. (45) **Date of Patent:** **** Aug. 4, 2020**

(54) **SIDE RAIL FOR A VEHICLE**
(71) Applicant: **ARB Corporation Limited**, Kilsyth (AU)
(72) Inventors: **Andrew Harry Brown**, Kilsyth (AU); **John Desmond Clark**, Kilsyth (AU); **Gavin Smith**, Kilsyth (AU)
(73) Assignee: **ARB CORPORATION LIMITED**, Kilsyth (AU)

6,993,870 B2 * 2/2006 McDonald E04D 13/0481
52/11
D567,729 S * 4/2008 Crandall D12/203
D595,630 S * 7/2009 McPherson D12/203
D633,320 S * 3/2011 Brace D6/580
D636,312 S * 4/2011 Matei D12/190
D647,833 S * 11/2011 Matei D12/190
D656,628 S * 3/2012 DiGennaro D25/119
D673,890 S * 1/2013 Bundy D12/203
D673,891 S * 1/2013 Bundy D12/203
D746,745 S * 1/2016 Schoonover D12/190
D761,175 S * 7/2016 Stoyinov D12/190

(Continued)

(**) Term: **15 Years**

Primary Examiner — Michelle E. Wilson

Assistant Examiner — Clese Moore, Jr.

(21) Appl. No.: **29/668,457**

(74) Attorney, Agent, or Firm — Davis Wright Tremaine

(22) Filed: **Oct. 30, 2018**

LLP; Heather M. Colburn

(51) **LOC (12) Cl.** **12-16**

(57) **CLAIM**

(52) **U.S. Cl.**
USPC **D12/203**

The ornamental design for a side rail for a vehicle, as shown and described.

(58) **Field of Classification Search**
USPC D12/203, 89, 98, 314, 162, 190, 196, 93;
D25/119, 125, 68
CPC .. B60R 3/002; B60R 3/02; B60R 3/00; B60R 3/005; B60R 3/007; B60R 19/34; B60P 7/0815; B60P 7/08; B60J 7/141; B60J 7/198; B60J 7/1291

DESCRIPTION

See application file for complete search history.

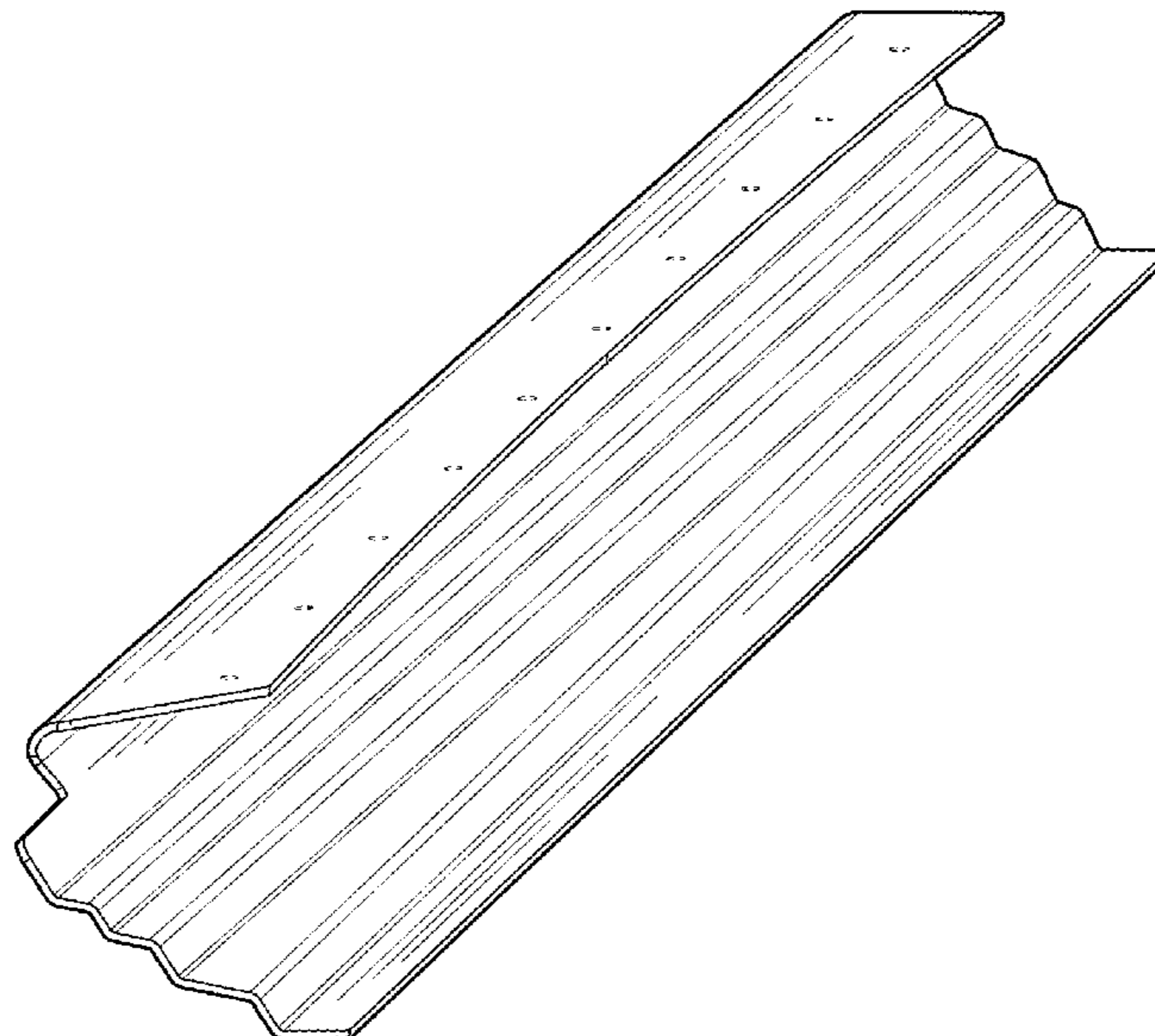
FIG. 1 is a front right side perspective view of the side rail enlarged 2:1 with respect to FIGS. 3-8.
FIG. 2 is a rear left side perspective view of the side rail enlarged 2:1 with respect to FIGS. 3-8.
FIG. 3 is a rear top side perspective view of the side rail.
FIG. 4 is a front bottom side perspective view of the side rail.
FIG. 5 is a left side elevation view of the side rail.
FIG. 6 is a top plan view of the side rail.
FIG. 7 is a right side elevation view of the side rail.
FIG. 8 is a bottom plan view of the side rail.
FIG. 9 is a rear elevation view of the side rail enlarged 3.5:1 with respect to FIGS. 3-8; and,
FIG. 10 is a front elevation view of the side rail enlarged 3.5:1 with respect to FIGS. 3-8.
The broken lines represent portions of the side rail that form no part of the claim.

(56) **References Cited**

U.S. PATENT DOCUMENTS

D247,061 S * 1/1978 Win D26/152
D257,532 S * 11/1980 Okland D12/203
D262,283 S * 12/1981 Borick D12/203
D283,550 S * 4/1986 Greco D25/119
D302,967 S * 8/1989 Bowdoin D12/203
D305,323 S * 1/1990 Anderson D12/203
D318,039 S * 7/1991 Flores D12/203
D324,668 S * 3/1992 Anderson D12/203
D330,431 S * 10/1992 Wang D25/119
D414,881 S * 10/1999 Giese D25/123

1 Claim, 6 Drawing Sheets



(56)

References Cited

U.S. PATENT DOCUMENTS

| | | | | |
|------------|---|---------|--------------|---------|
| D771,276 S | * | 11/2016 | Walker | D25/119 |
| D801,547 S | * | 10/2017 | Lopez | D25/68 |
| D802,164 S | * | 11/2017 | Lopez | D25/68 |
| D820,179 S | * | 6/2018 | Kladde | D12/190 |
| D883,167 S | * | 5/2020 | McMath | D12/203 |

* cited by examiner

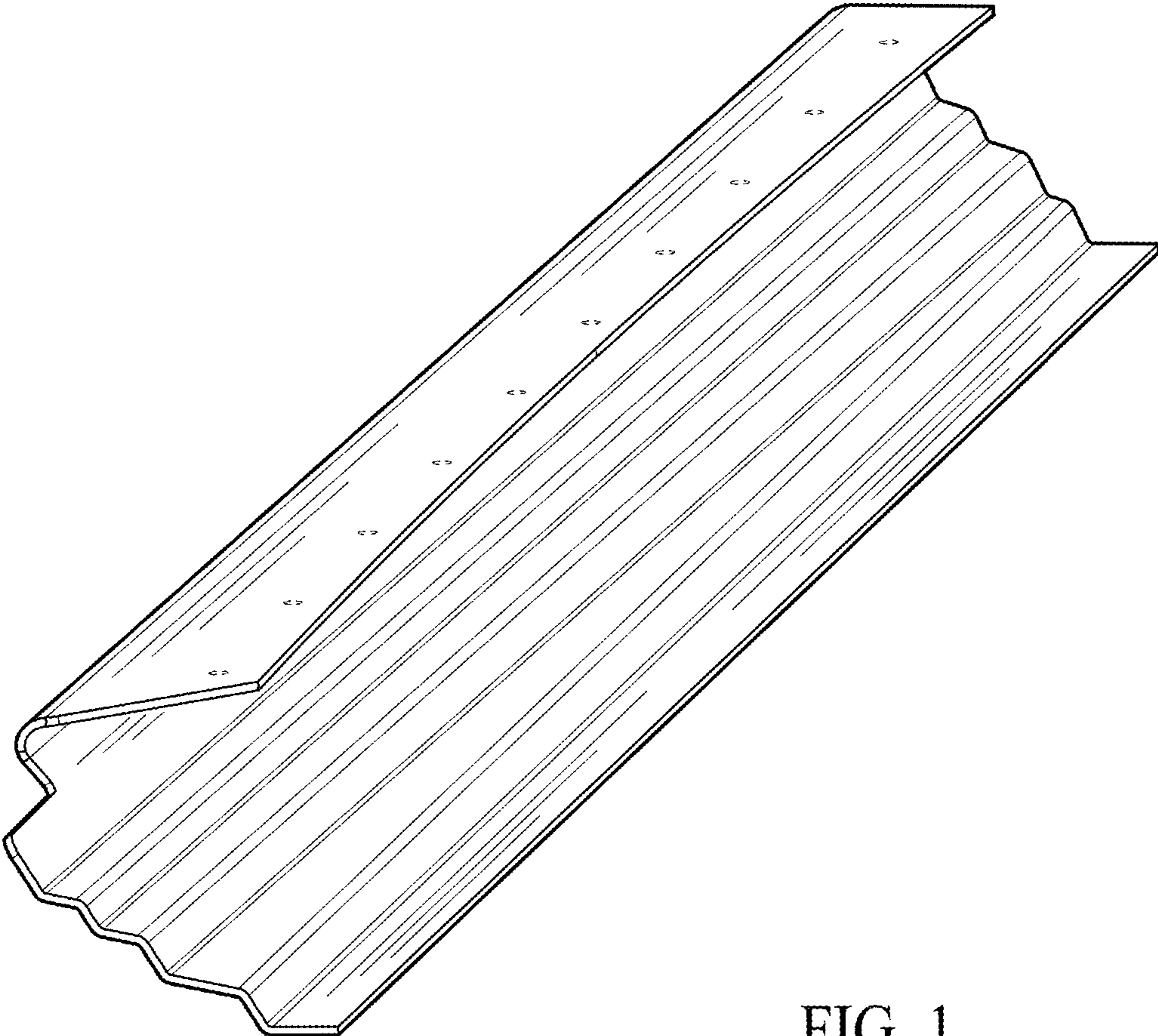


FIG. 1

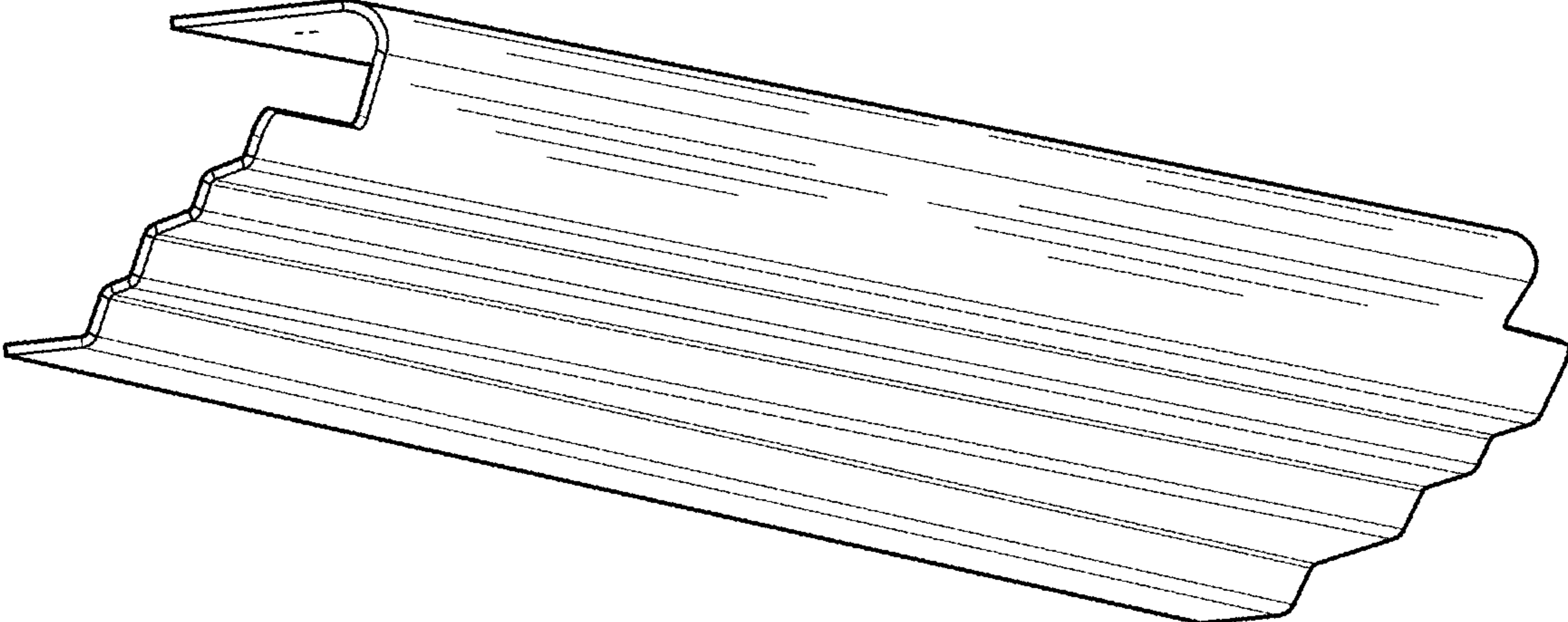


FIG. 2

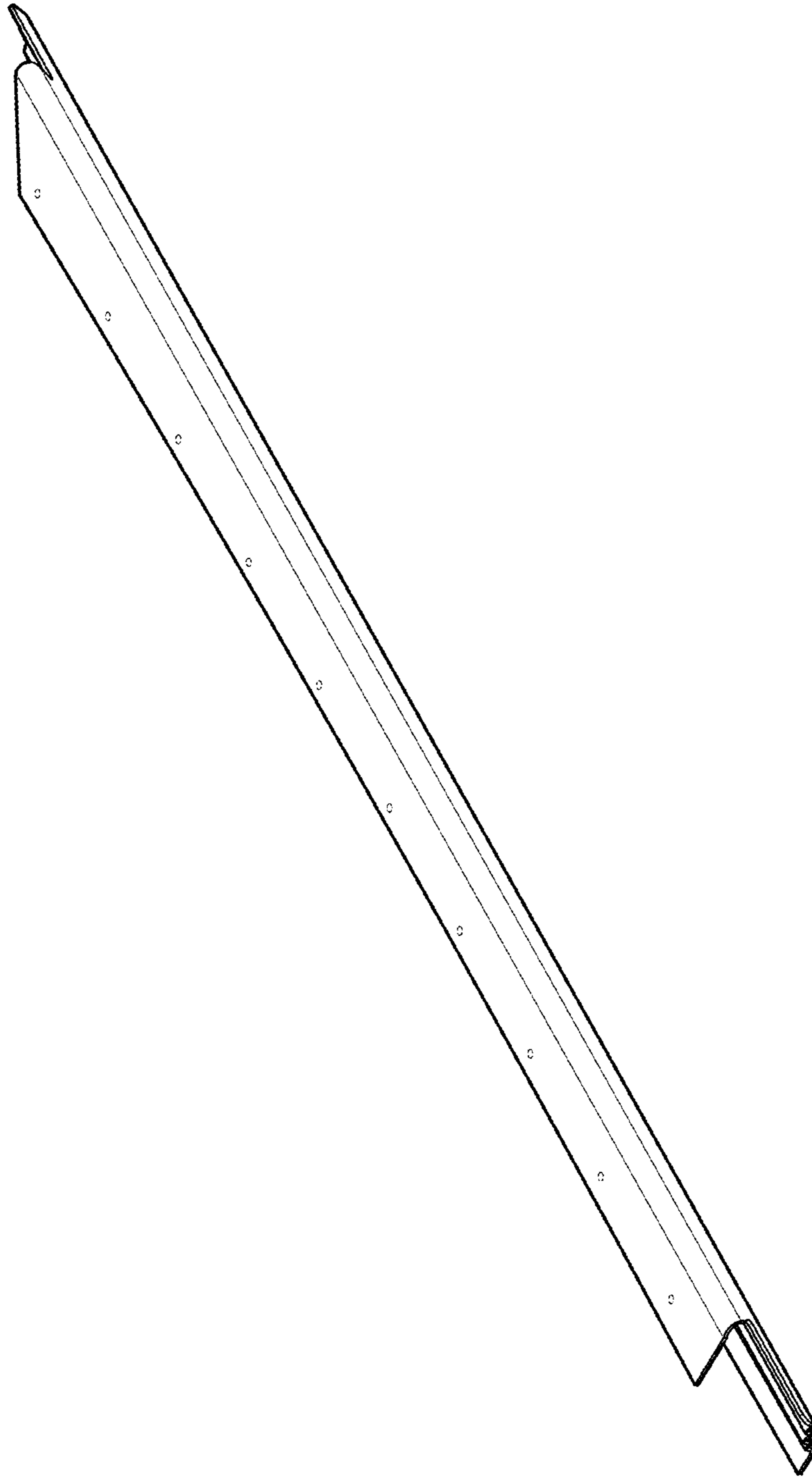


FIG. 3

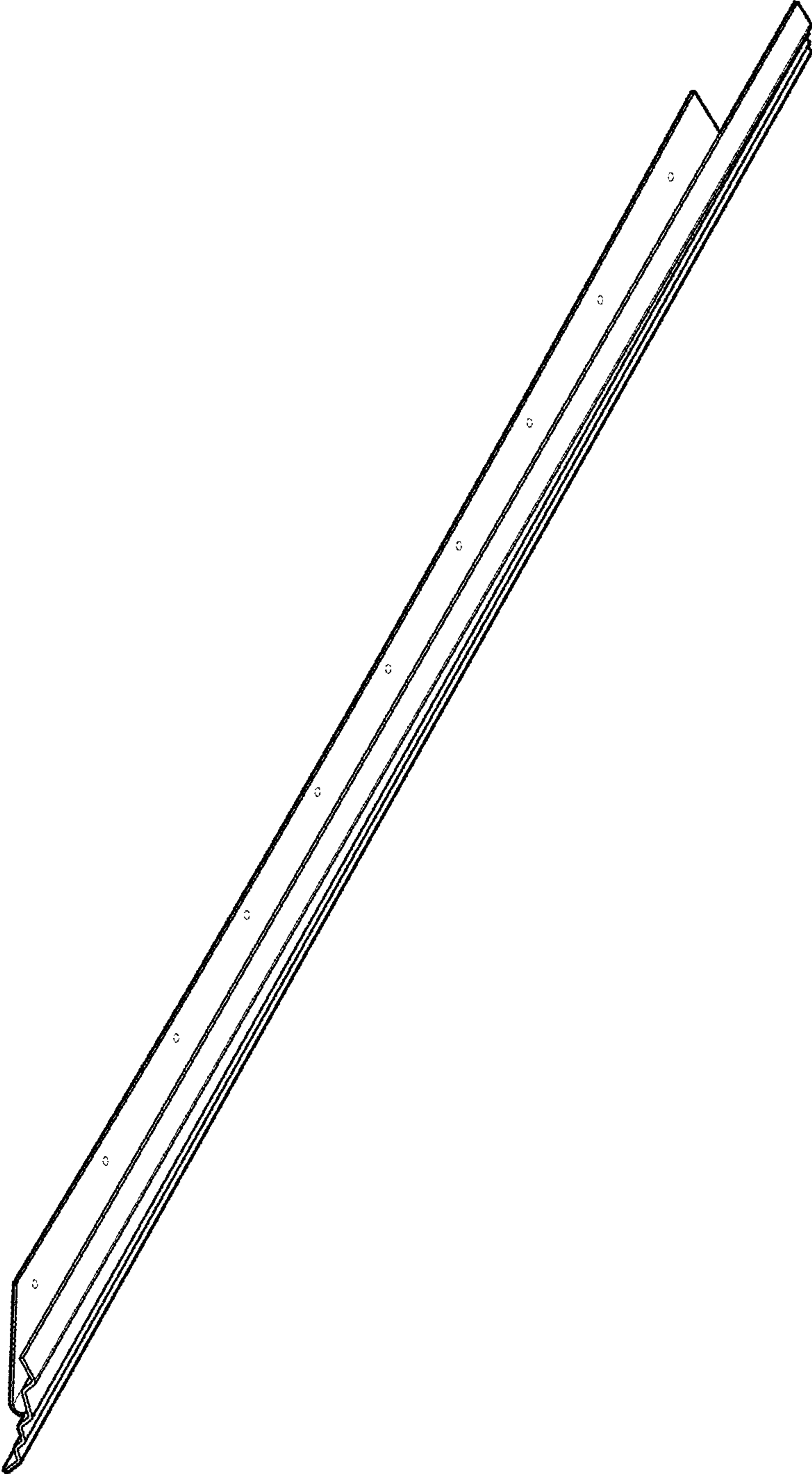


FIG. 4

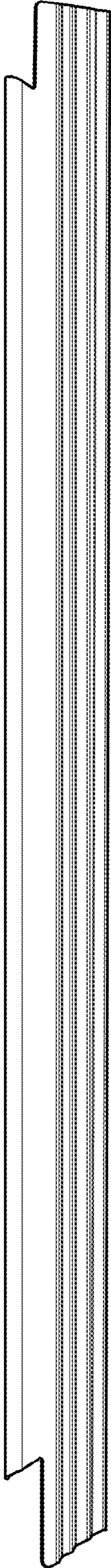


FIG. 5

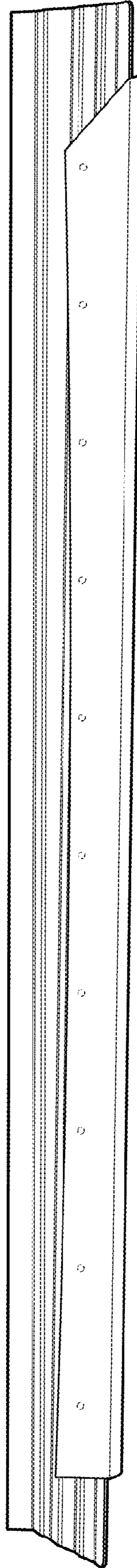


FIG. 6

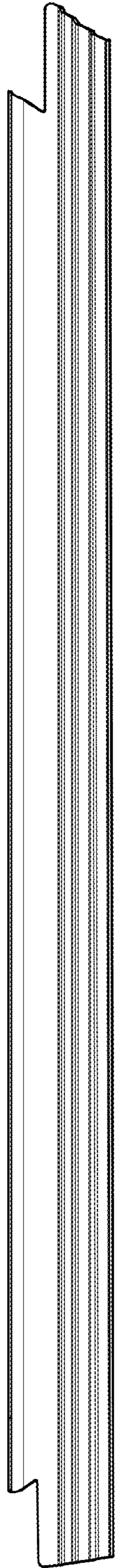


FIG. 7

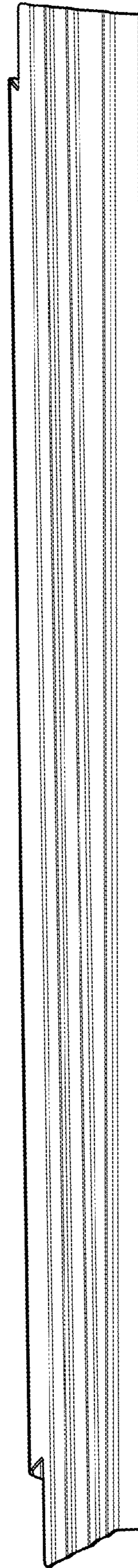


FIG. 8

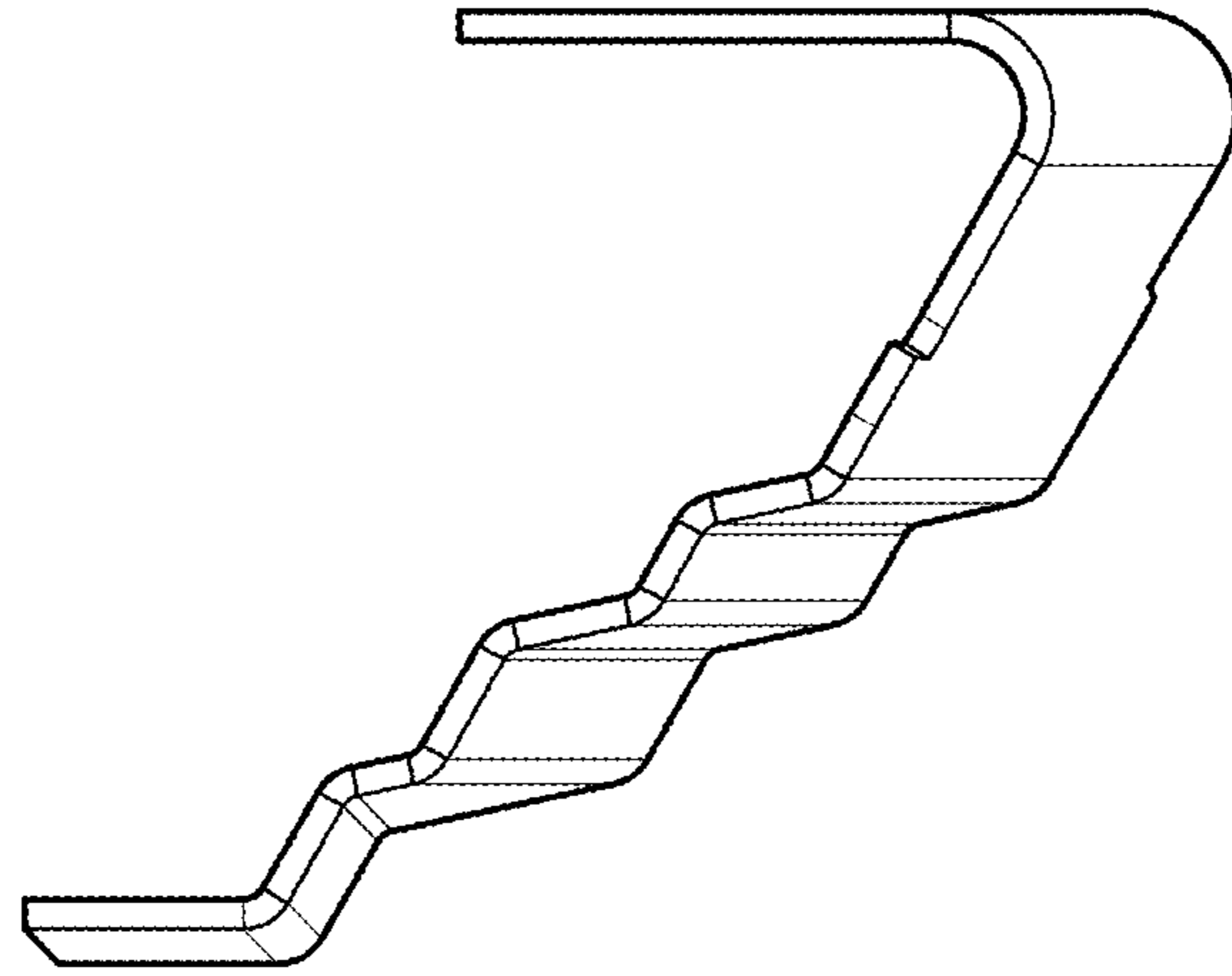


FIG. 9

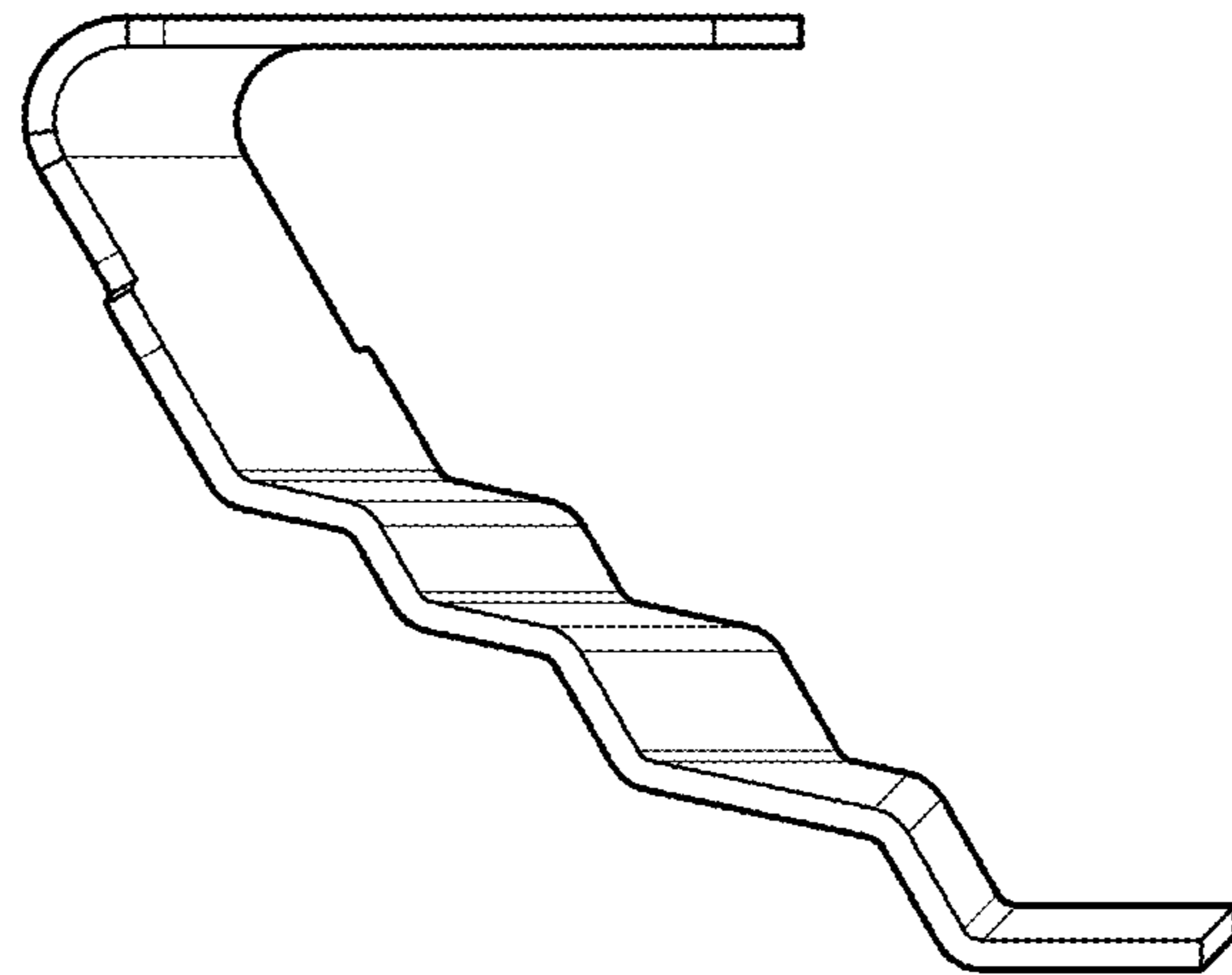


FIG. 10